

US00D543092S

(12) **United States Design Patent**  
**Spor**

(10) **Patent No.:** **US D543,092 S**

(45) **Date of Patent:** **\*\* May 22, 2007**

(54) **PORTABLE FIRE HOSE CADDY**

(76) Inventor: **Eric Spor**, 5301 Alameda, Norman, OK  
(US) 73026

(\*\*) Term: **14 Years**

(21) Appl. No.: **29/235,178**

(22) Filed: **Jul. 28, 2005**

(51) **LOC (8) Cl.** ..... **08-05**

(52) **U.S. Cl.** ..... **D8/358**

(58) **Field of Classification Search** ..... D8/358-359;  
242/405.1, 118.8; 224/162

See application file for complete search history.

(56) **References Cited**

**U.S. PATENT DOCUMENTS**

2,772,056	A	*	11/1956	Geisinger et al.	.....	242/405.1
D228,117	S	*	8/1973	Turner	.....	D8/359
D231,327	S	*	4/1974	Schultz	.....	D8/359
3,942,636	A		3/1976	Matsuyama		
D262,183	S		12/1981	Brown		
4,478,452	A		10/1984	Clemens		
D316,665	S	*	5/1991	Lueth	.....	D8/358

D318,413	S		7/1991	McNulty, Jr.		
D322,739	S		12/1991	Kashuba		
5,542,730	A		8/1996	Riesselmann		
5,579,966	A		12/1996	Krumweide		
6,079,675	A		6/2000	Hsu		
D427,891	S	*	7/2000	Senior	.....	D8/358

\* cited by examiner

*Primary Examiner*—Holly H. Baynham

(74) *Attorney, Agent, or Firm*—Randal D. Hamburg

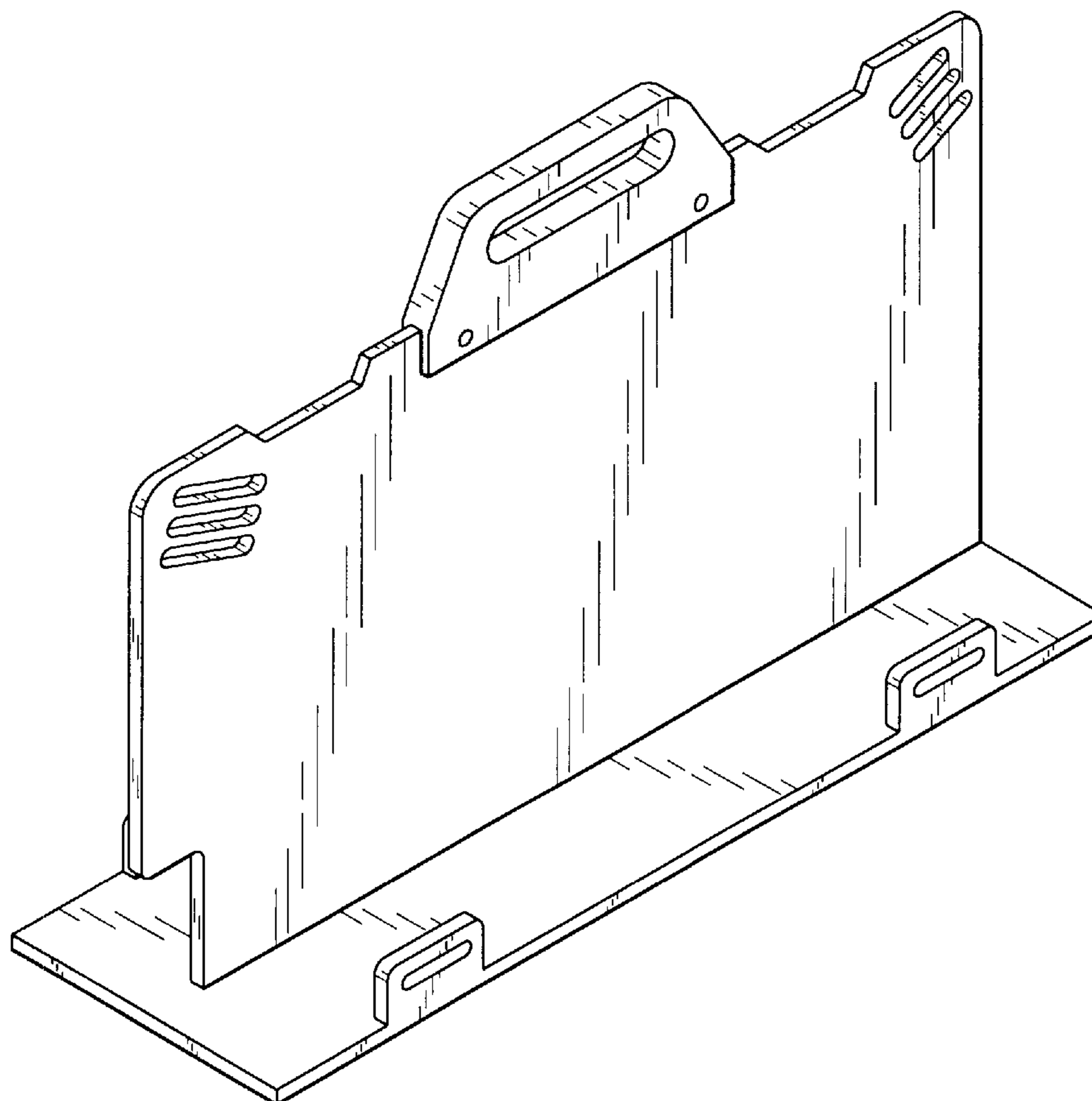
(57) **CLAIM**

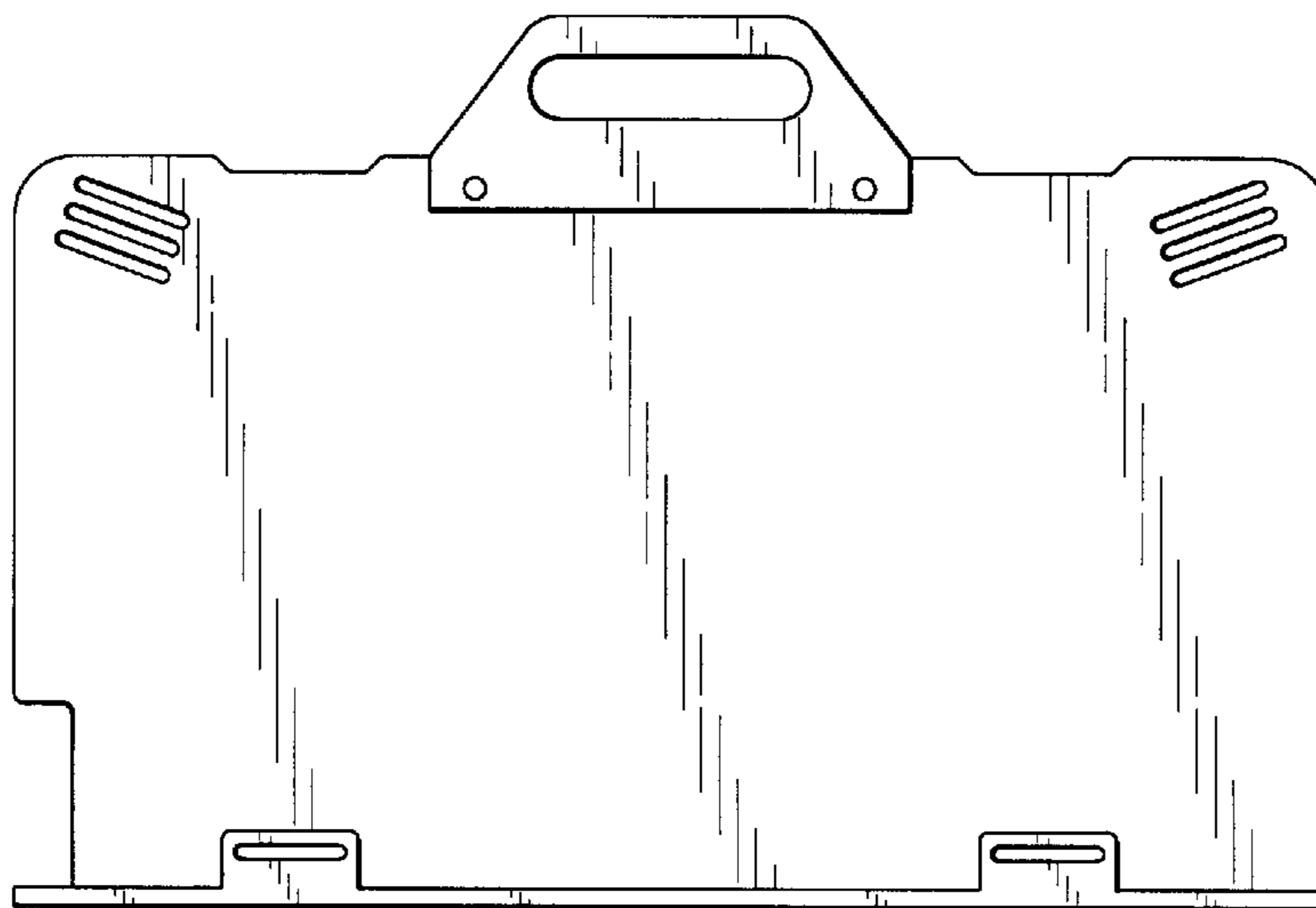
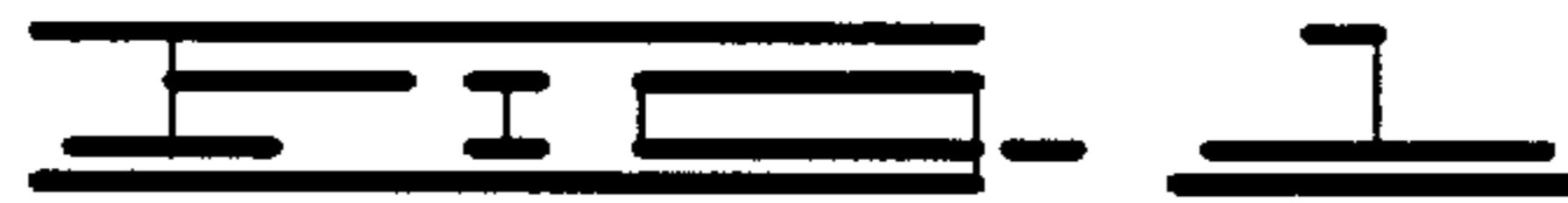
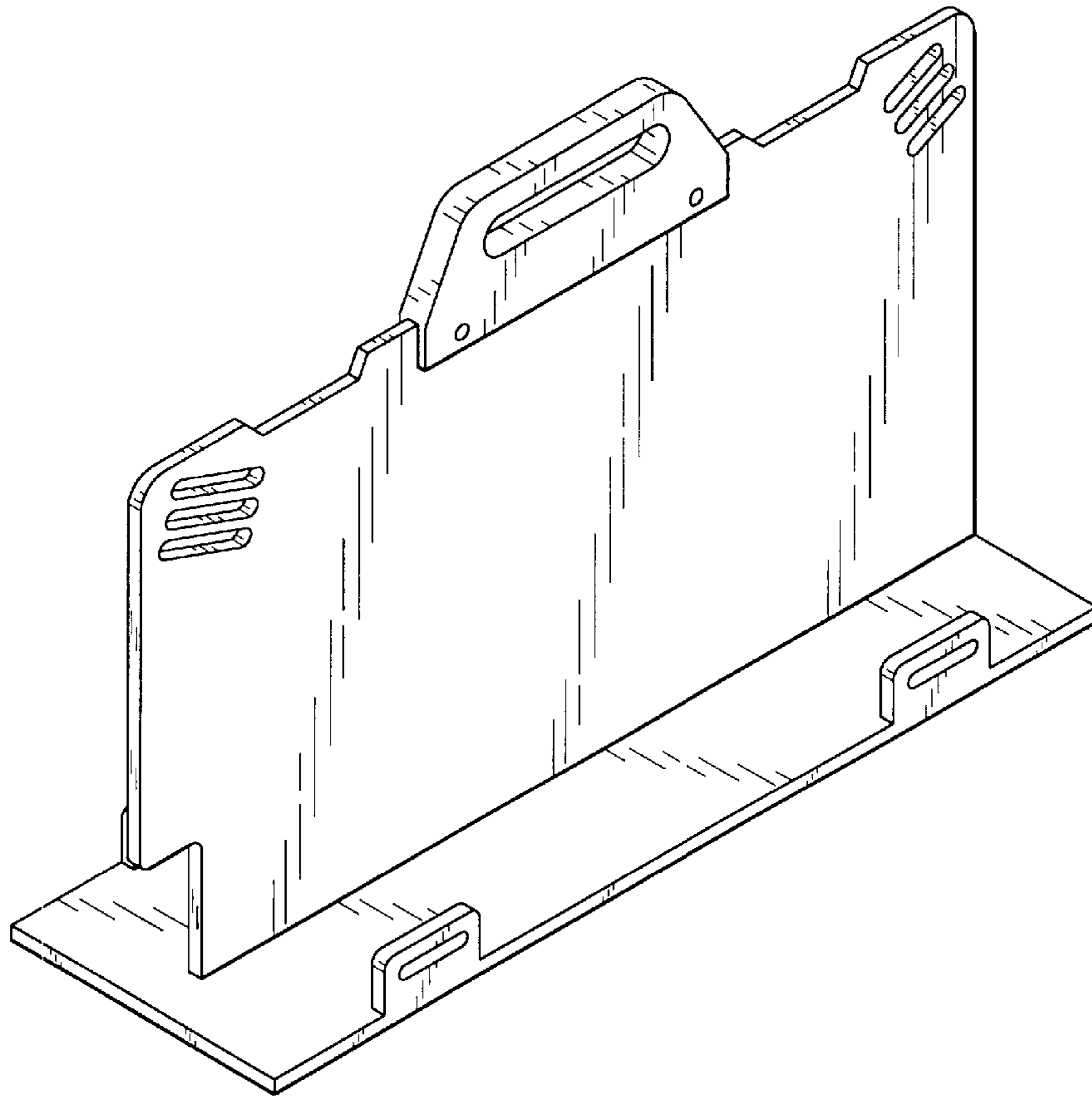
The ornamental design for a portable fire hose caddy, as shown and described.

**DESCRIPTION**

FIG. 1 is a perspective view of the fire hose caddy.  
 FIG. 2 is a front view of the fire hose caddy.  
 FIG. 3 is a rear view of the fire hose caddy.  
 FIG. 4 is a right side view of the fire hose caddy.  
 FIG. 5 is a left side view of the fire hose caddy.  
 FIG. 6 is a top view of the fire hose caddy; and,  
 FIG. 7 is a bottom view of the fire hose caddy.

**1 Claim, 3 Drawing Sheets**





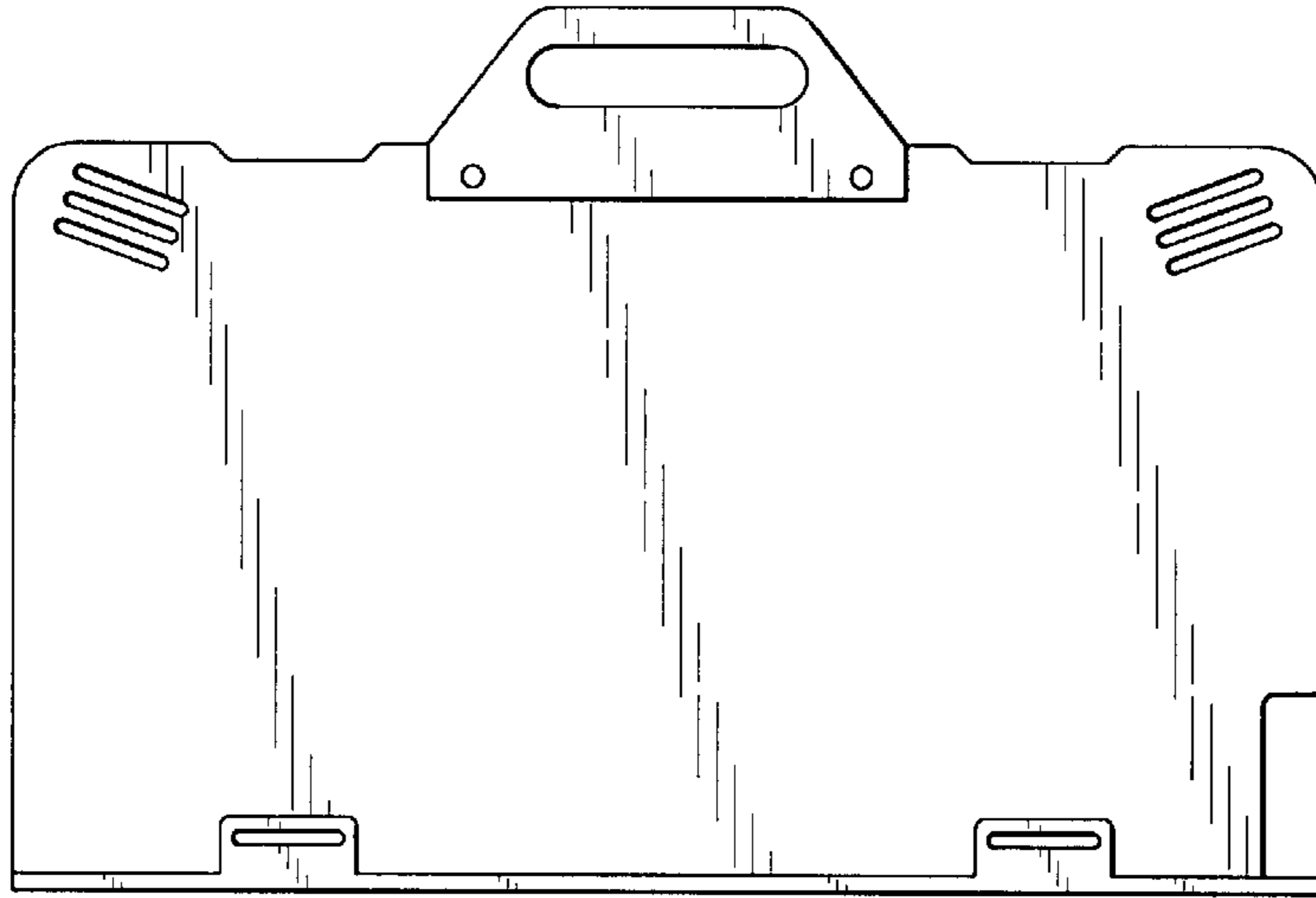


FIG. 3

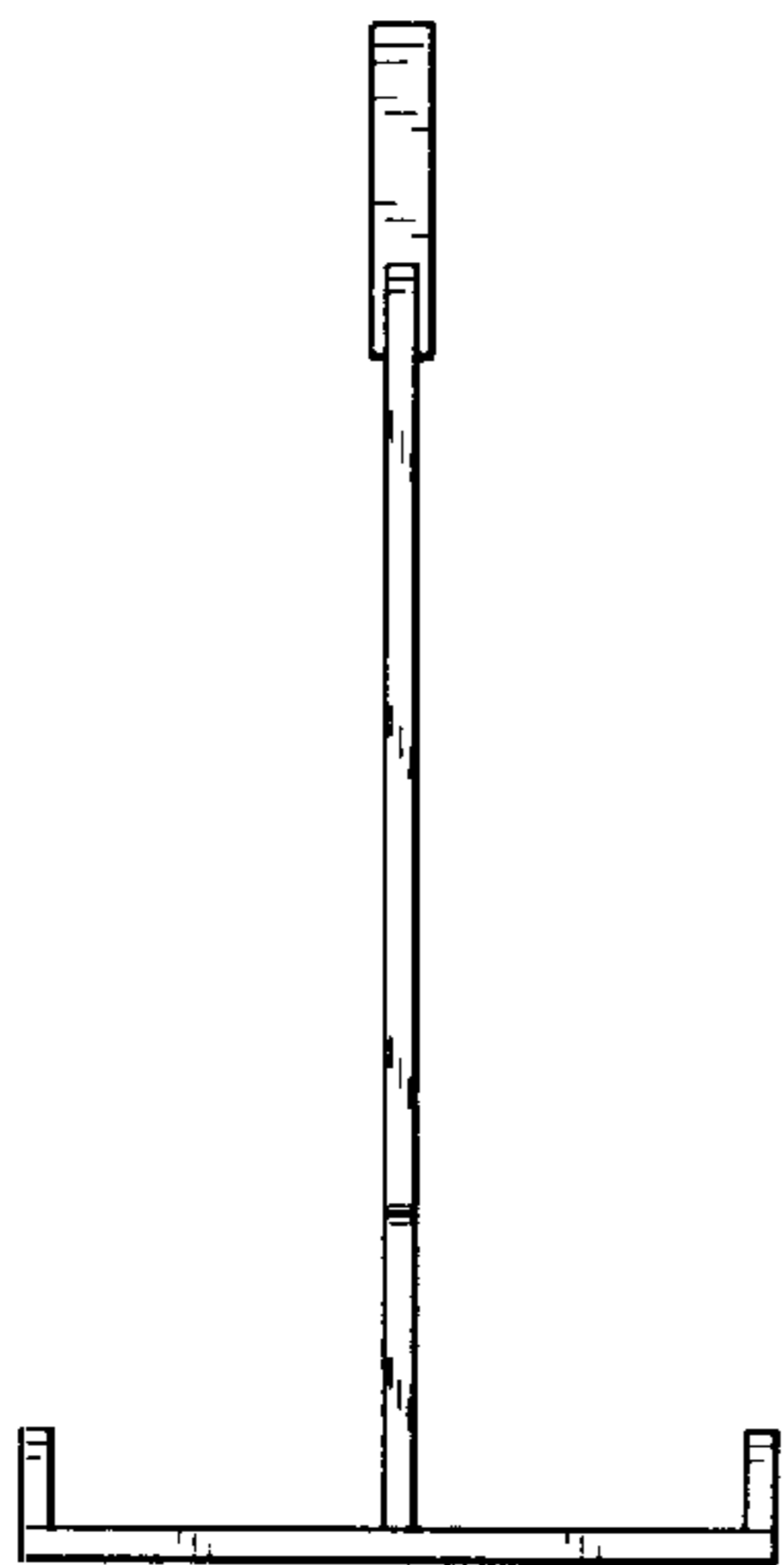


FIG. 4

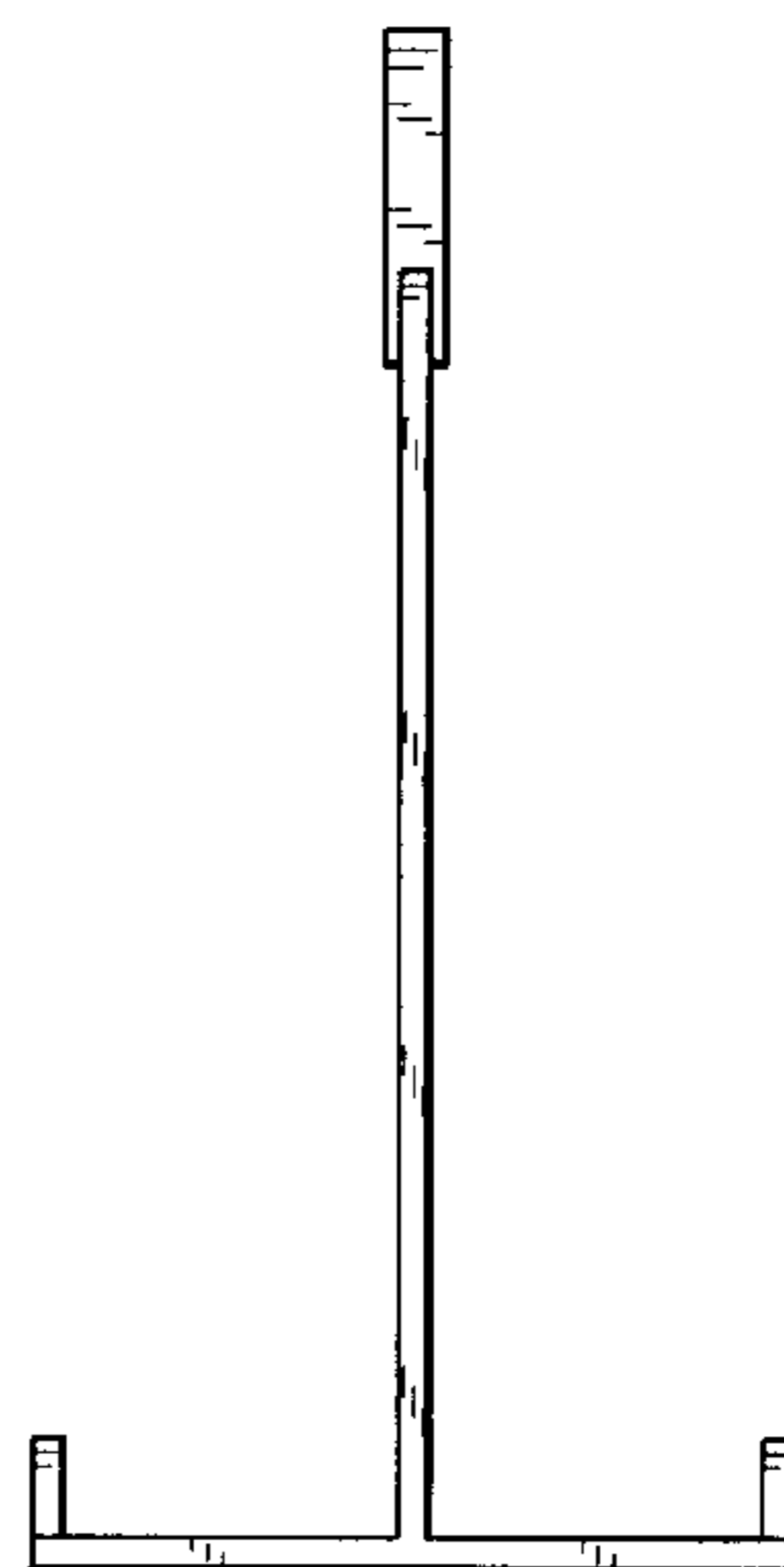


FIG. 5

