



US00D543087S

(12) **United States Design Patent**
Soriano et al.

(10) **Patent No.:** **US D543,087 S**

(45) **Date of Patent:** **** May 22, 2007**

(54) **DOORKNOB**

(75) Inventors: **Bryan Soriano**, Baldwin Park, CA
(US); **Aaron E. Hanna**, Corona, CA
(US)

(73) Assignee: **Newfrey LLC**, Newark, DE (US)

(**) Term: **14 Years**

D82,675 S	12/1930	Gullborg
2,355,300 A	8/1944	Johnstone
D138,911 S	9/1944	Stone
D142,945 S	11/1945	Borchers
2,400,229 A	5/1946	Freeman
2,565,024 A	8/1951	Hill, Jr.
2,602,319 A	7/1952	Jacobi
D170,724 S	2/1953	Stahl
2,702,468 A	2/1955	Spain
D182,118 S	* 2/1958	Hillgren D8/310

(21) Appl. No.: **29/212,012**

(Continued)

(22) Filed: **Aug. 25, 2004**

Primary Examiner—Paula A. Greene

(51) **LOC (8) Cl.** **08-06**

(74) *Attorney, Agent, or Firm*—Richard J. Veltman; John D. DelPonti

(52) **U.S. Cl.** **D8/310**

(58) **Field of Classification Search** D8/301,
D8/302, DIG. 2, 307, 310, 338, 350, 352,
D8/379; D23/250, 251, 254; 292/347, 357;
16/402, 412, 414, 417, 433, 441, 442, DIG. 30;
4/691

(57) **CLAIM**

The ornamental design for a doorknob, as shown and described.

See application file for complete search history.

DESCRIPTION

(56) **References Cited**

U.S. PATENT DOCUMENTS

21,981 A	11/1858	Sargent	
39,779 A	* 9/1863	Herrick	112/423
51,333 A	* 12/1865	Heizmann	19/163
D3,691 S	10/1869	Brocksieper	
D4,110 S	6/1870	Ruff	
D5,766 S	4/1872	Wunder	
D7,093 S	* 1/1874	Gorman	D8/310
D7,378 S	* 4/1874	Mallory	D8/305
D8,491 S	* 7/1875	Young	D8/310
D8,711 S	10/1875	Steele	
186,018 A	1/1877	Ransom	
D19,976 S	* 7/1890	Miller	D8/305
D27,302 S	7/1897	Danley	
D39,779 S	1/1909	Herrick	
D60,576 S	3/1922	Schlink	
1,568,579 A	1/1926	Whiting	
1,636,011 A	7/1927	Nicholson	
D73,420 S	9/1927	Whitaker	
1,668,716 A	* 5/1928	Herdman et al.	16/86 A
D80,866 S	4/1930	Spector	
D82,240 S	10/1930	Ackerman	

FIG. 1 is a perspective view of the new design for a doorknob;

FIG. 2 is a front elevational view of the new design for a doorknob;

FIG. 3 is a top plan view of the new design for a doorknob, the bottom plan view and the left and right side elevational views being mirror images;

FIG. 4 is a back elevational view of the new design for a doorknob;

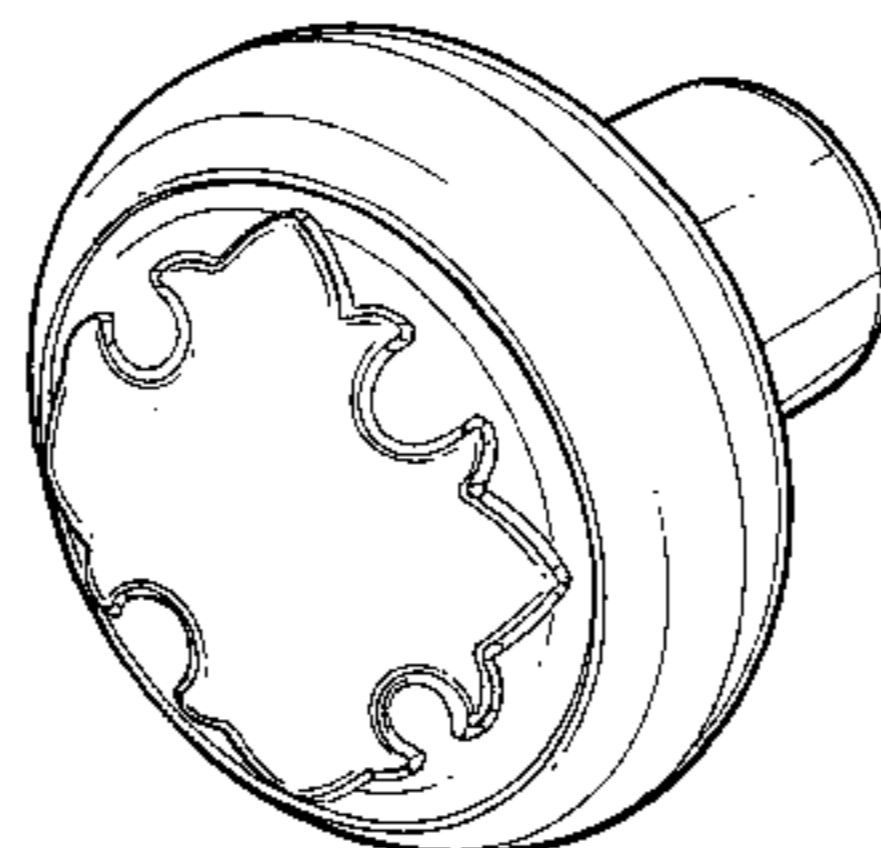
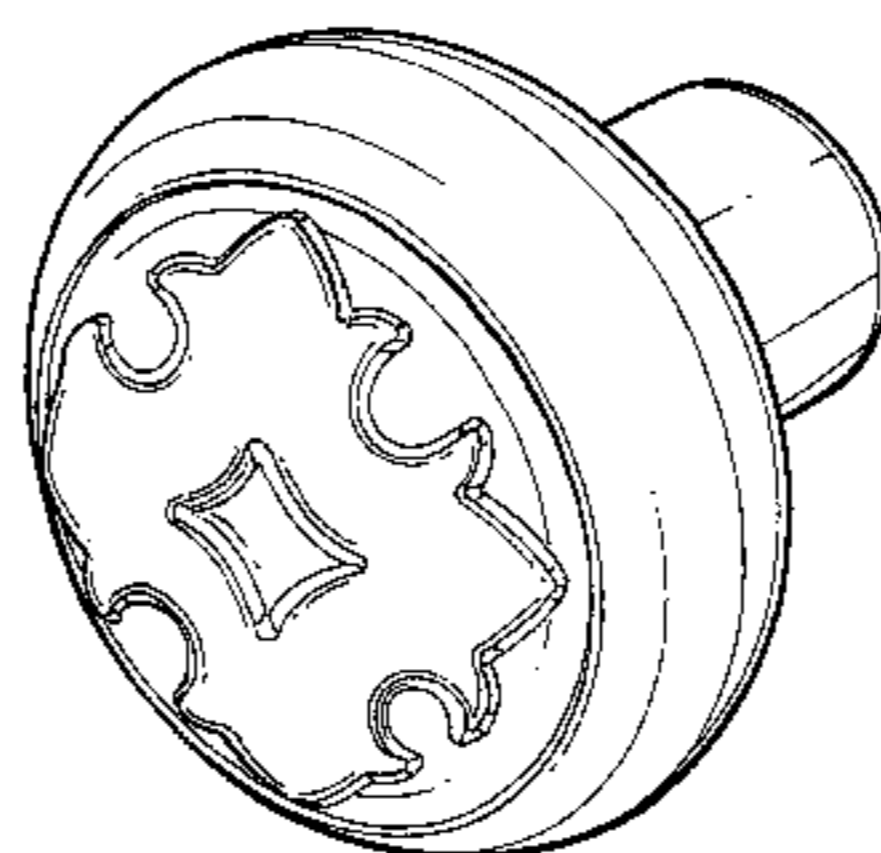
FIG. 5 is a perspective view of a second embodiment of the new design for a doorknob;

FIG. 6 is a front elevational view of the second embodiment of the new design for a doorknob, the back view of the second embodiment being identical to that of the first embodiment; and,

FIG. 7 is top plan view of the new design for a doorknob, the bottom plan view and the left and right side elevational views being mirror images.

The broken lines in the Figures are for illustrative purposes only and form no part of the claimed design.

1 Claim, 5 Drawing Sheets



US D543,087 S

Page 2

U.S. PATENT DOCUMENTS					
D185,769	S	7/1959 Meer		D246,093	S 10/1977 James
D186,188	S	9/1959 Vose		D246,890	S 1/1978 Yu
D199,924	S *	12/1964 Schlage	D8/310	D251,462	S 4/1979 Tegner
3,303,717	A	2/1967 Valenti		4,192,161	A 3/1980 Borlinghaus
D208,326	S	8/1967 Sonnenleiter		D257,214	S * 10/1980 Withers et al. D8/310
D213,431	S	3/1969 Stone		D258,345	S 2/1981 Paul
D218,011	S	7/1970 Sonnenleiter		D261,228	S 10/1981 Shames et al.
D218,877	S	10/1970 Clayton		D261,857	S 11/1981 Valli
D219,862	S	2/1971 Deadrick		D264,304	S 5/1982 Kupperman et al.
3,600,916	A *	8/1971 Ruppert	70/432	4,777,570	A * 10/1988 Littles 362/100
D223,992	S	6/1972 Gerlach		D306,251	S 2/1990 Kuli
D224,776	S	9/1972 Tegner		D312,956	S 12/1990 Boeri
D225,820	S	1/1973 Tegner		D318,783	S 8/1991 Fleming et al.
D226,550	S	3/1973 Mellyn		D332,386	S 1/1993 Plummer
D229,294	S	11/1973 Clayton		D362,609	S 9/1995 Ellis et al.
D231,192	S	4/1974 Tegner		D363,204	S 10/1995 Ellis et al.
D231,319	S	4/1974 James		D392,174	S 3/1998 Zeiss
D233,409	S	10/1974 Zagaroli		D403,238	S 12/1998 Burris
D234,070	S	1/1975 Watt, Jr.		D409,072	S 5/1999 Clavin
D234,338	S	2/1975 Tegner		D410,834	S 6/1999 Hsu
D236,876	S	9/1975 Tegner		D418,386	S 1/2000 Baskauskas et al.
D236,877	S	9/1975 Tegner		D447,927	S 9/2001 LaPlume et al.
D240,706	S	7/1976 Palm, Jr.		D457,049	S 5/2002 Zoerner et al.
D246,091	S *	10/1977 James	D8/310	D472,448	S 4/2003 Fields
					* cited by examiner

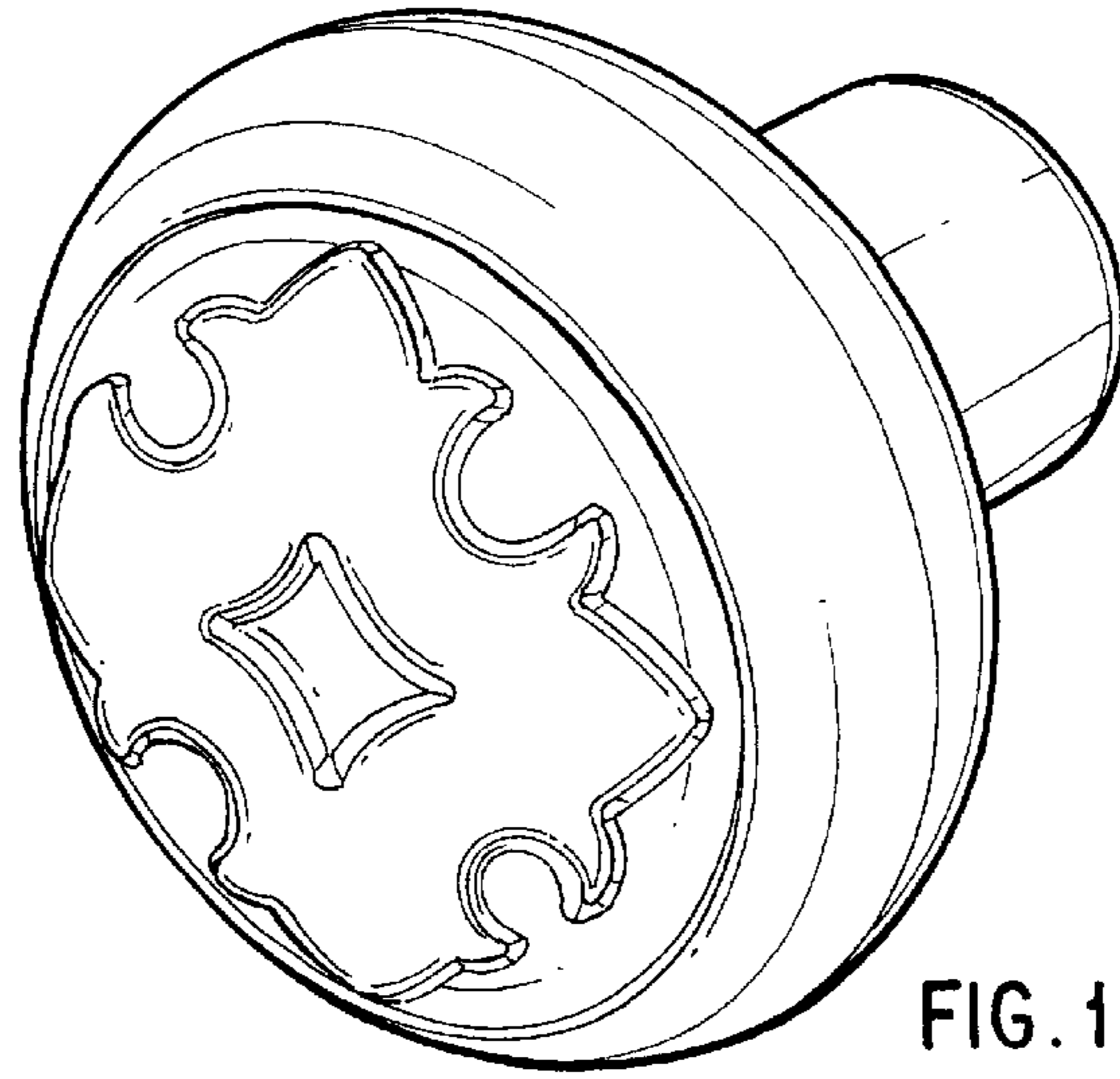


FIG. 1

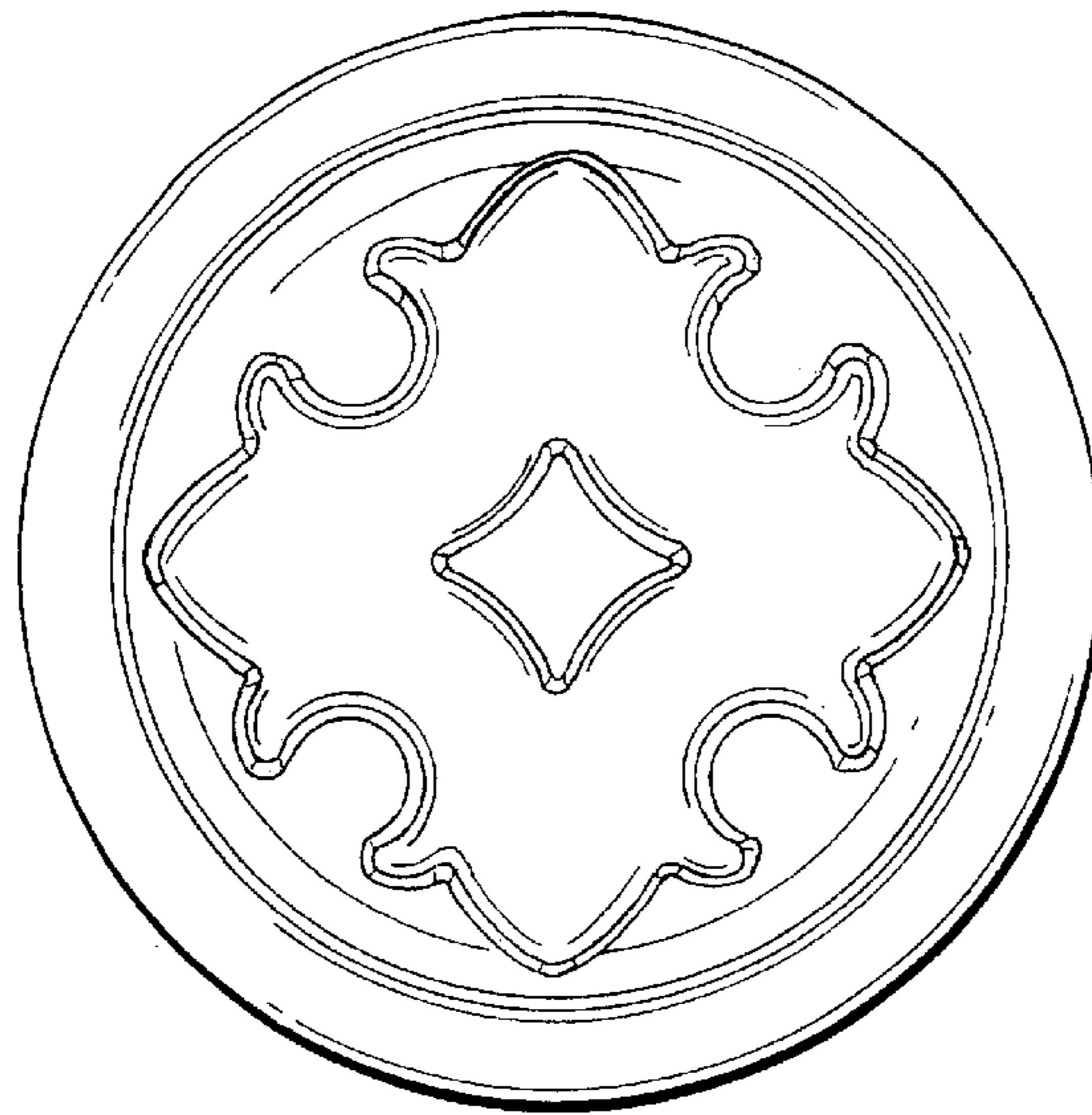


FIG. 2

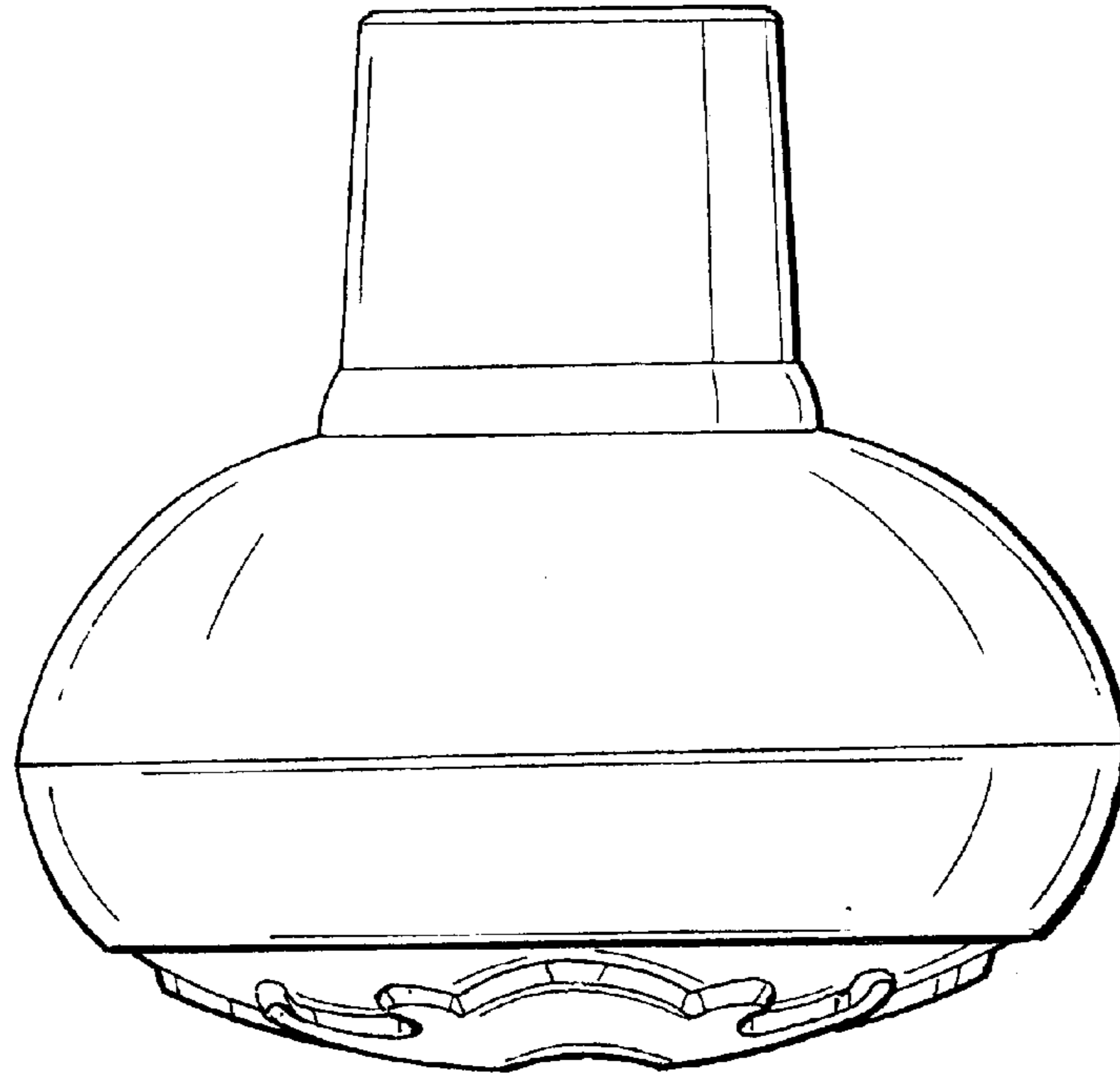


FIG. 3

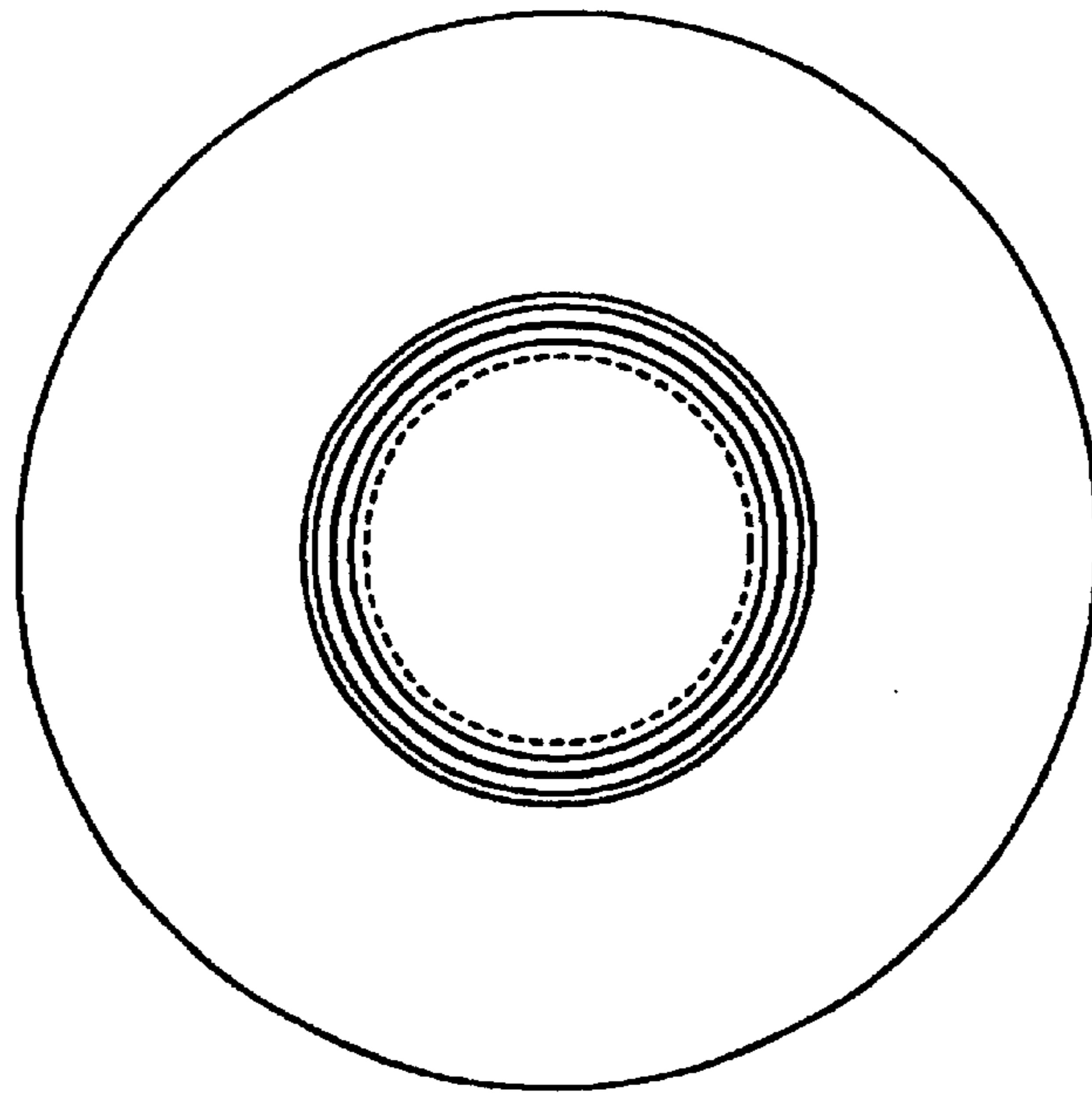


FIG. 4

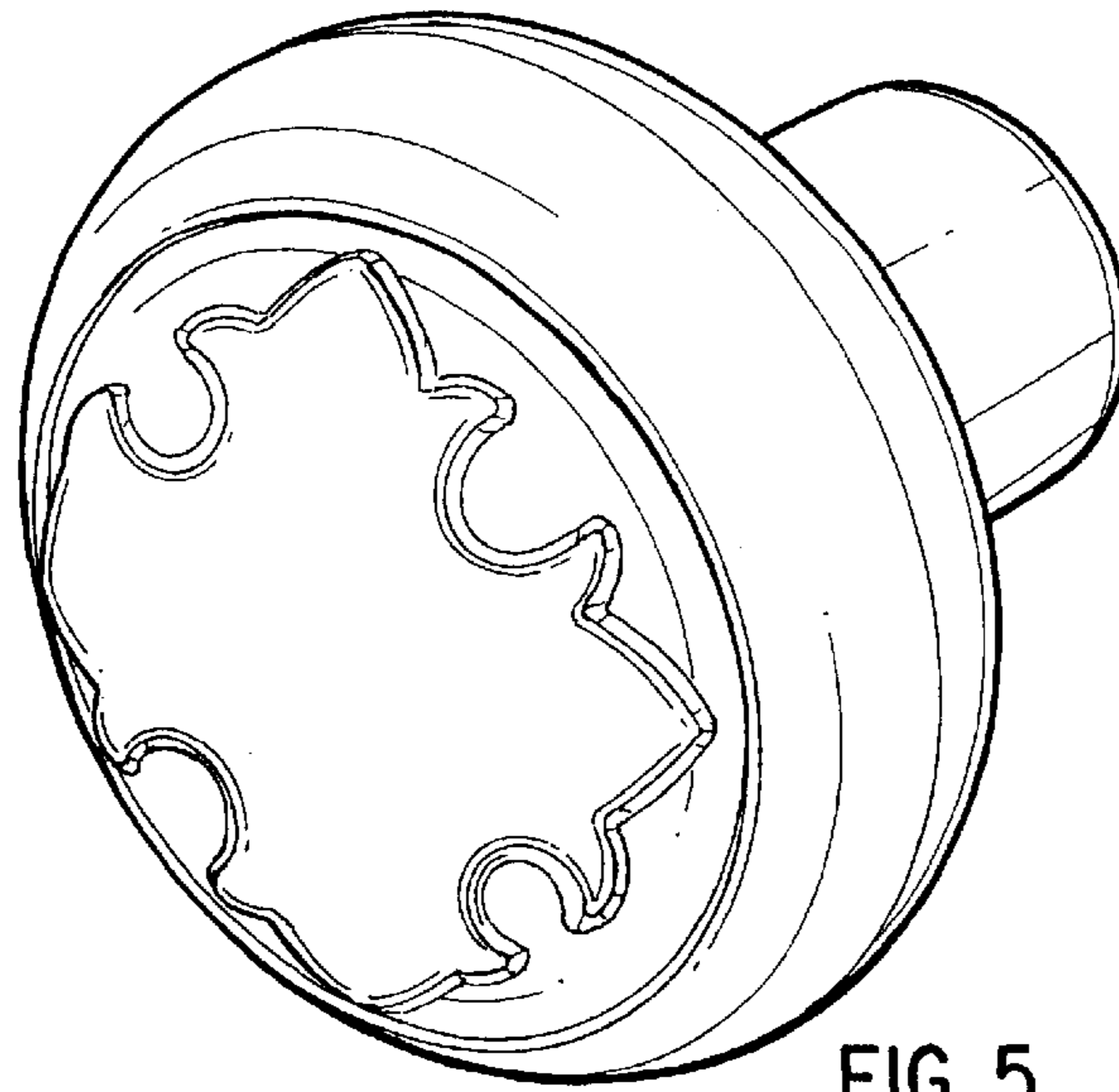


FIG. 5

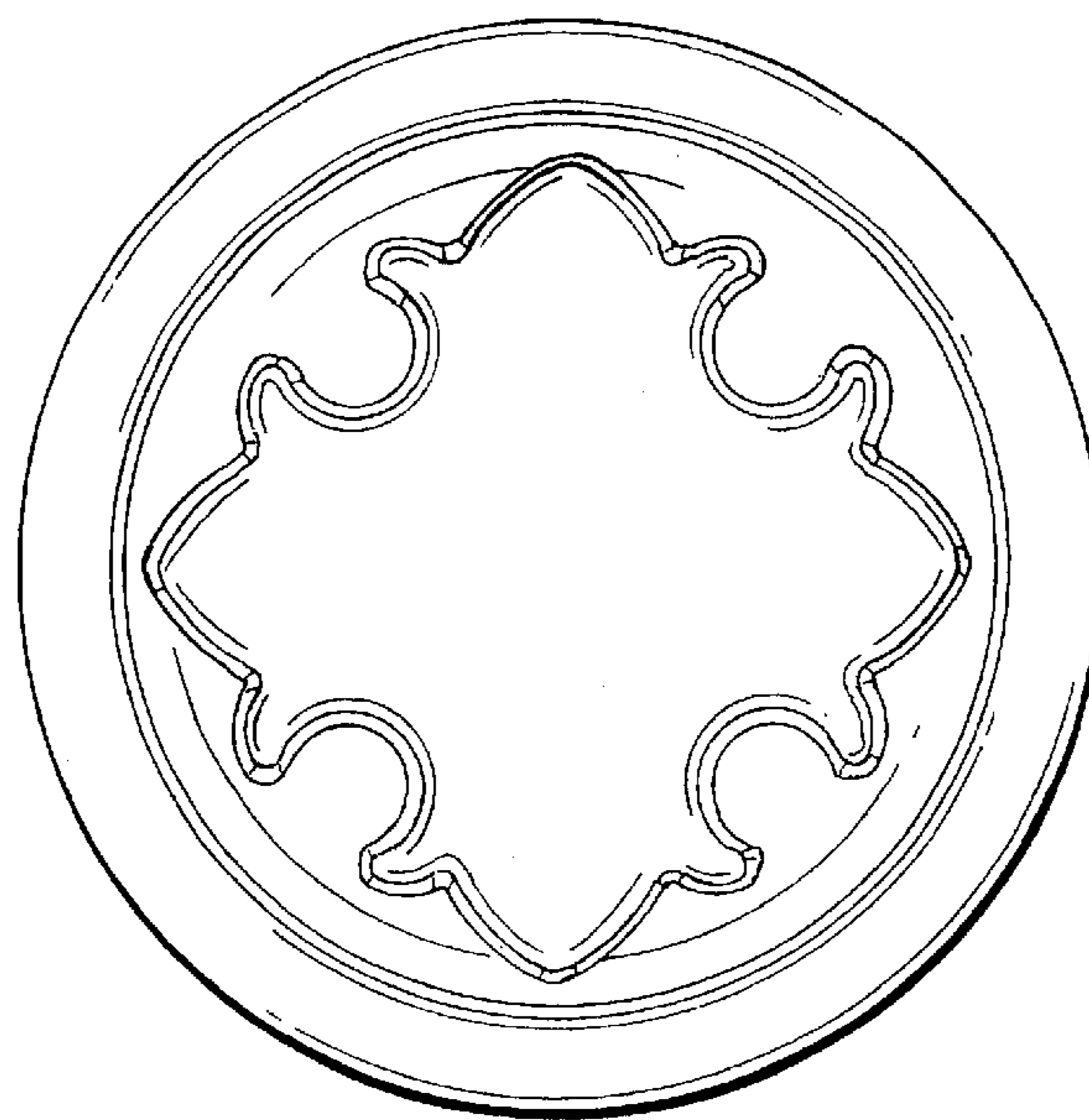


FIG. 6

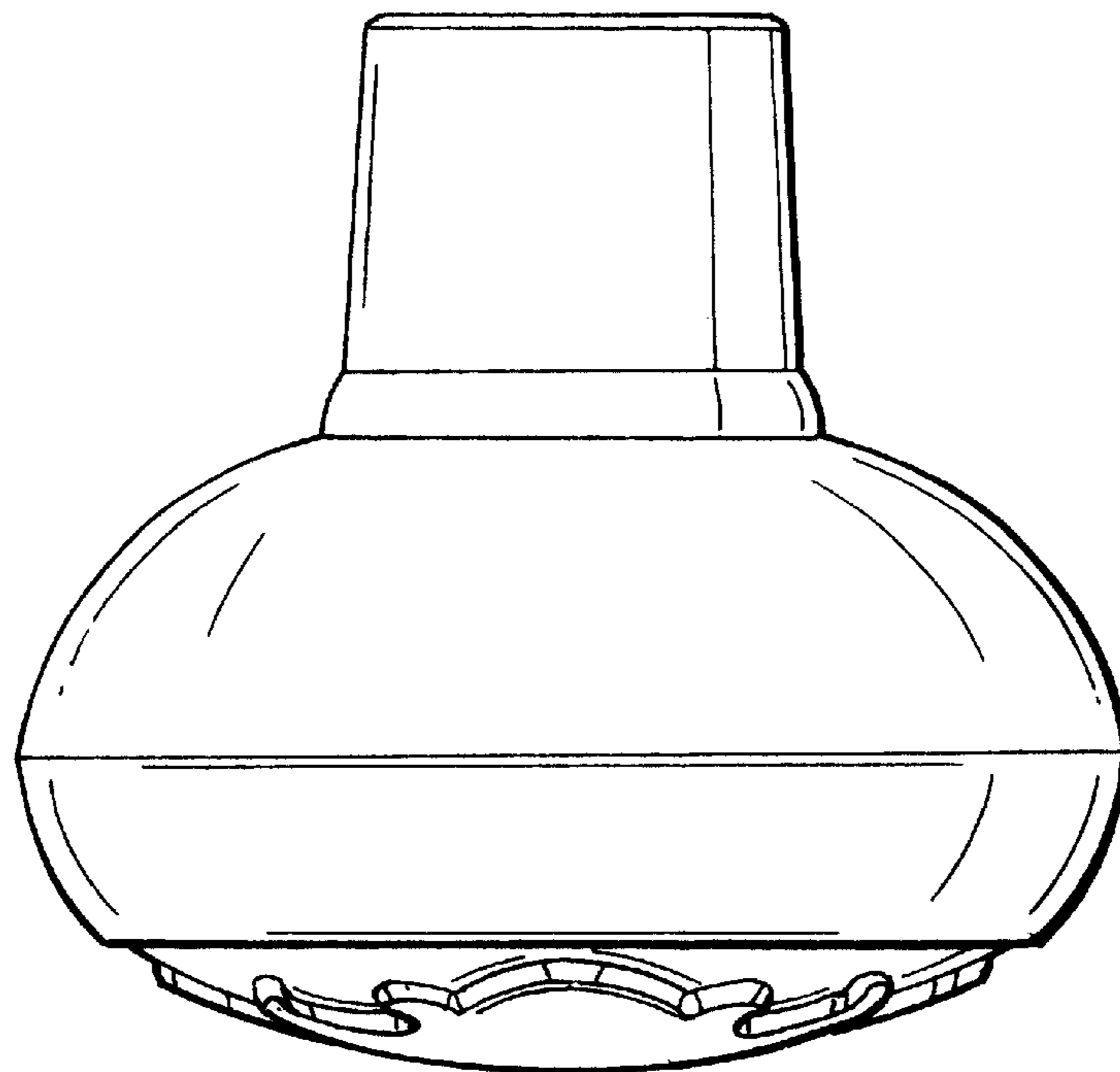


FIG. 7