



US00D543086S

(12) **United States Design Patent**
Simpson

(10) **Patent No.:** **US D543,086 S**

(45) **Date of Patent:** **** May 22, 2007**

(54) **TOILET SEAT LIFTER**

(76) **Inventor:** **Cameron Simpson**, 3051 W. 4375
South, Roy, UT (US) 84067

(**) **Term:** **14 Years**

(21) **Appl. No.:** **29/201,004**

(22) **Filed:** **Mar. 9, 2004**

(51) **LOC (8) Cl.** **08-06**

(52) **U.S. Cl.** **D8/305**

(58) **Field of Classification Search** D8/17,
D8/19, 305, 307; 4/246.1, 661; D19/4, 34;
D11/56; D23/311, 312; 16/441, 443
See application file for complete search history.

(56) **References Cited**

U.S. PATENT DOCUMENTS

D245,095 S	*	7/1977	Murray	D8/307
D252,155 S	*	6/1979	Okimoto	D19/4
D288,471 S	*	2/1987	Gladstone	D8/305
D325,331 S	*	4/1992	Onstad	D8/307

* cited by examiner

Primary Examiner—Paula A. Greene

(74) *Attorney, Agent, or Firm*—Fehr Law Firm; Thompson
E. Fehr

(57) **CLAIM**

I claim the ornamental design for a toilet seat lifter, as shown
and described.

DESCRIPTION

FIG. 1 is an isometric view of a toilet seat lifter showing my
new design;

FIG. 2 is a plan view of the top of the toilet seat lifter.

FIG. 3 is a plan view of a bottom of the toilet seat lifter.

FIG. 4 is a lateral view of the first side of the toilet seat lifter.

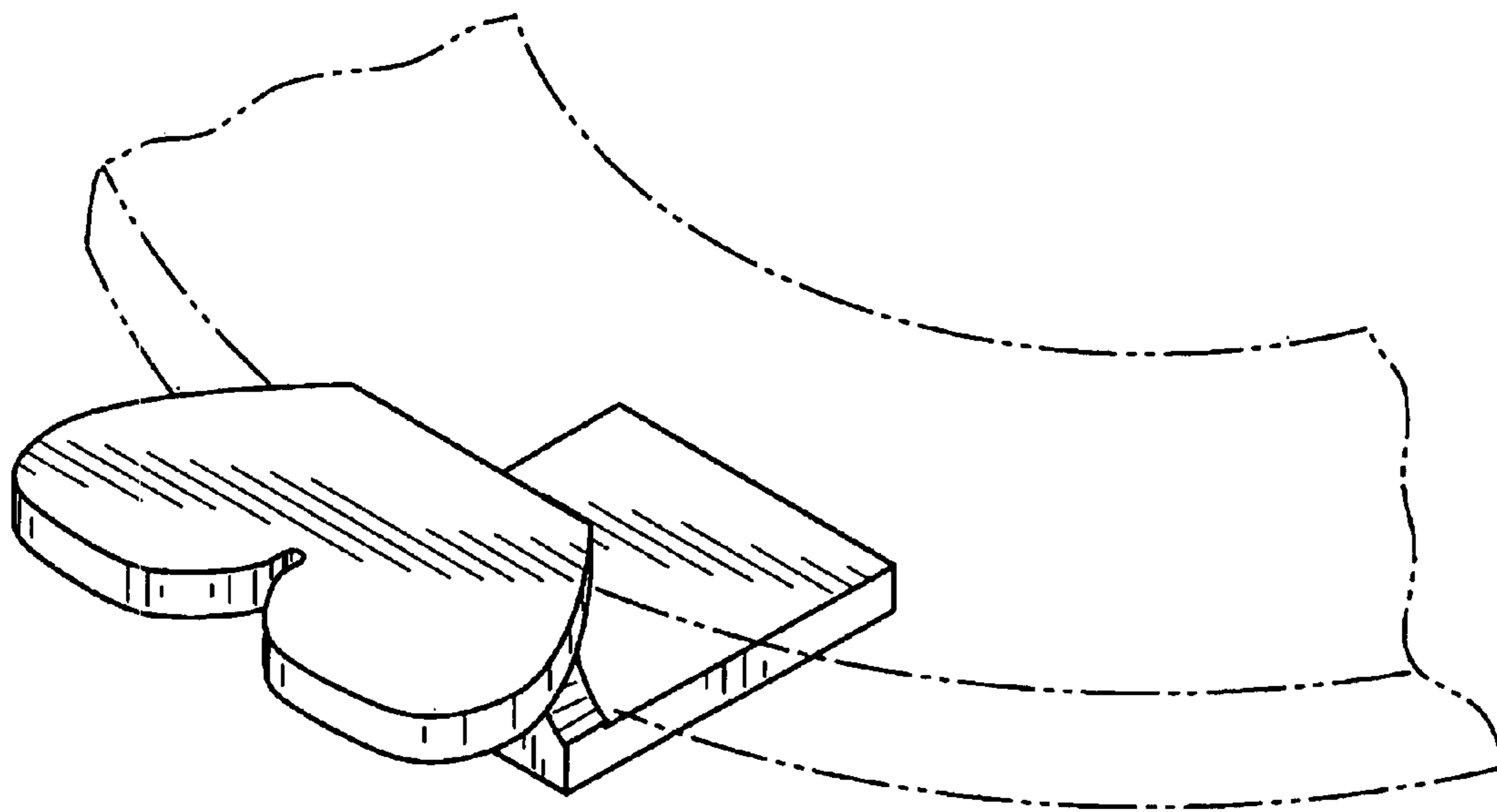
FIG. 5 is a lateral view of a second side of the toilet seat
lifter.

FIG. 6 is a lateral view of a second end of the toilet seat
lifter; and,

FIG. 7 is a lateral view of the first end of the toilet seat lifter.

The broken lines in FIG. 1 is for illustrative purposes only
and forms no part of the claimed design.

1 Claim, 2 Drawing Sheets



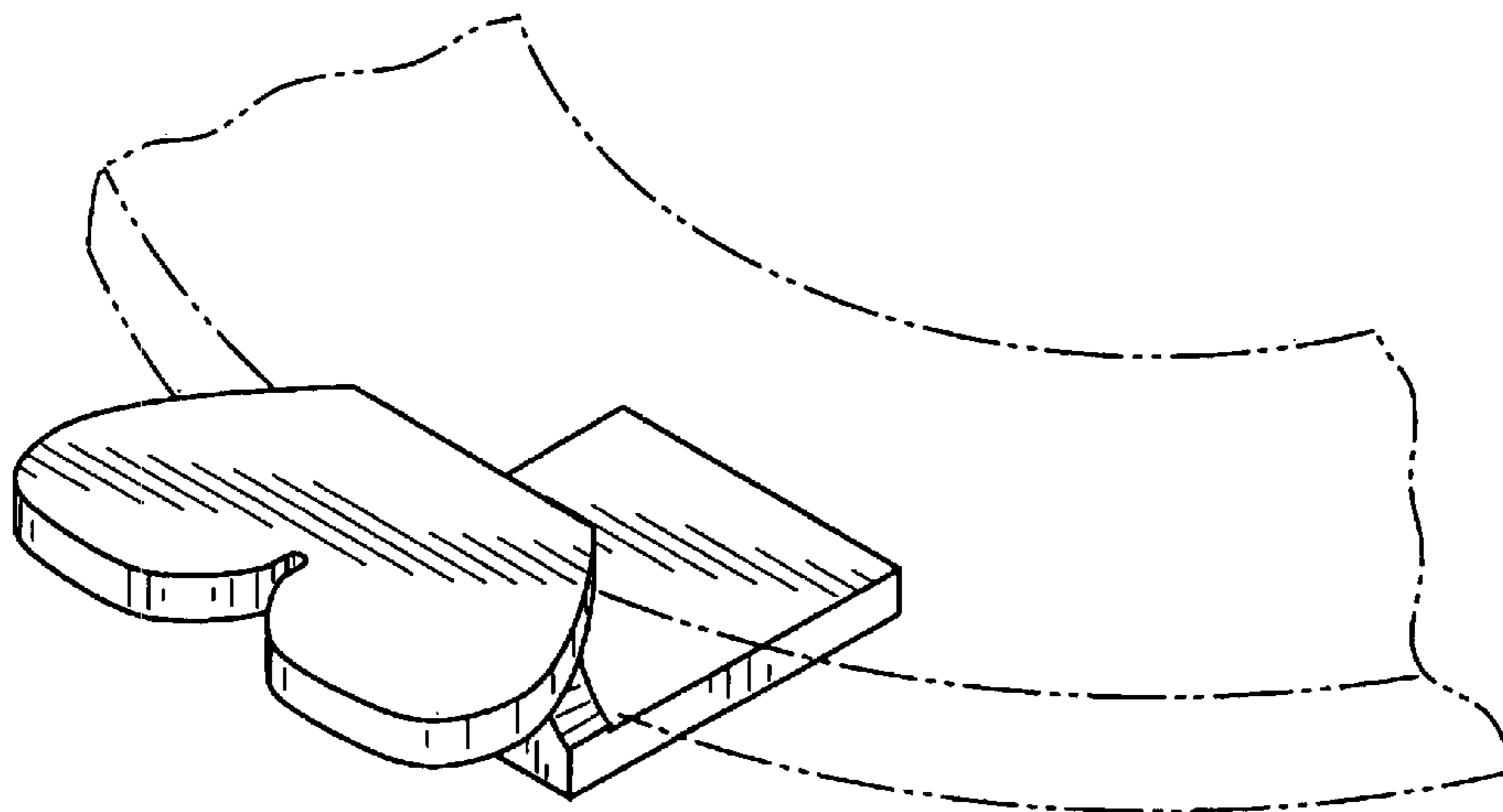


FIG. 1

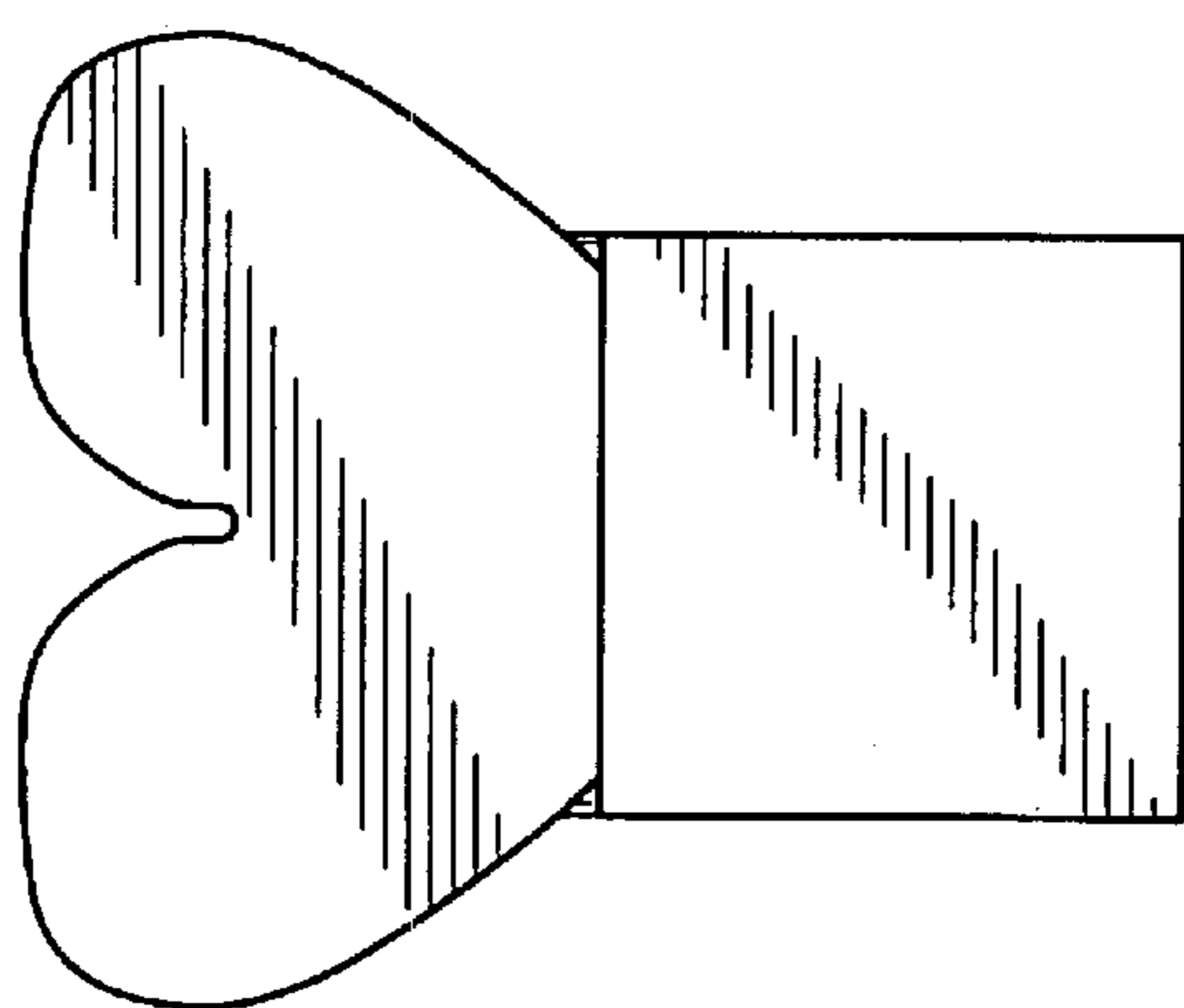


FIG. 2

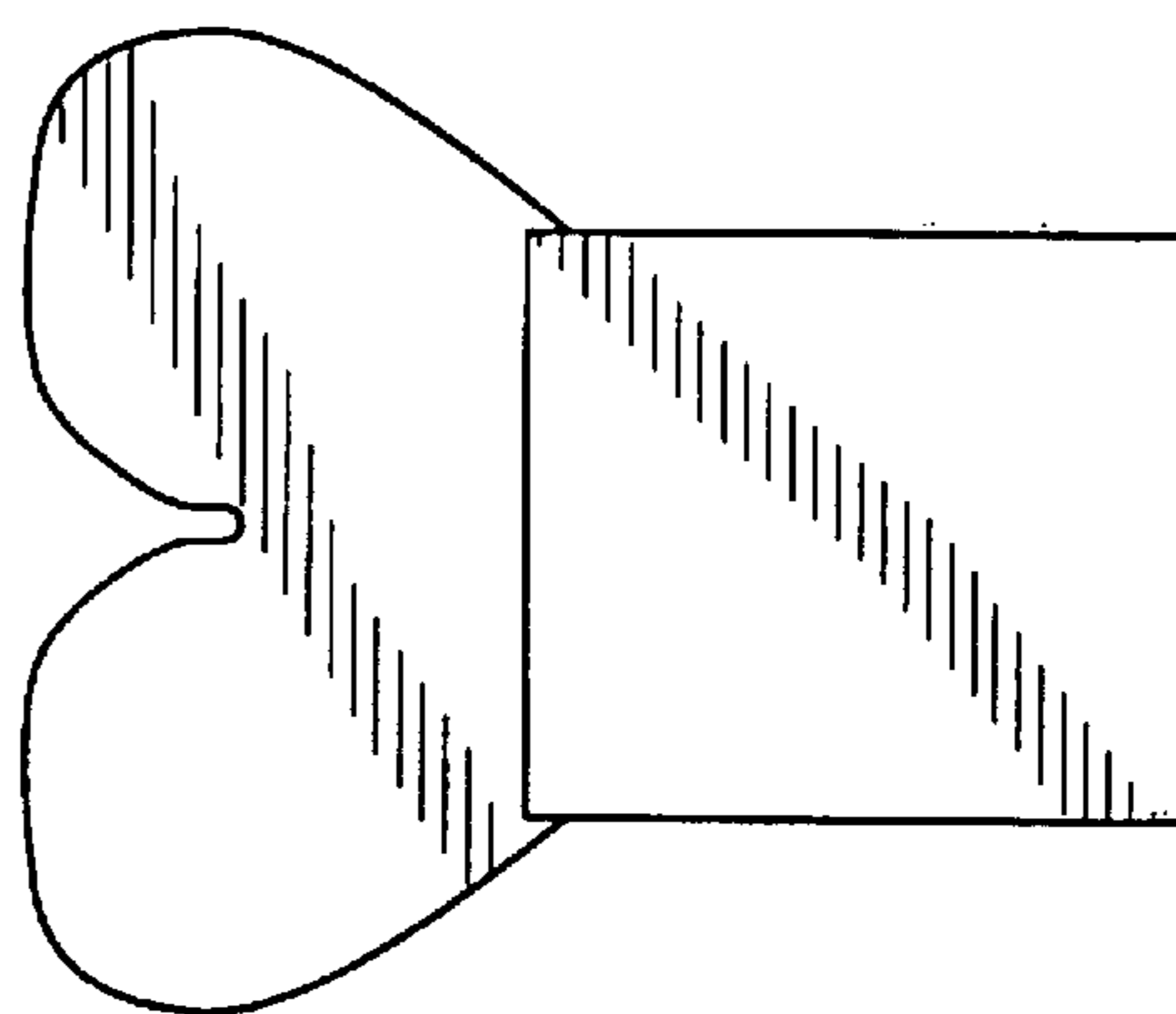


FIG. 3

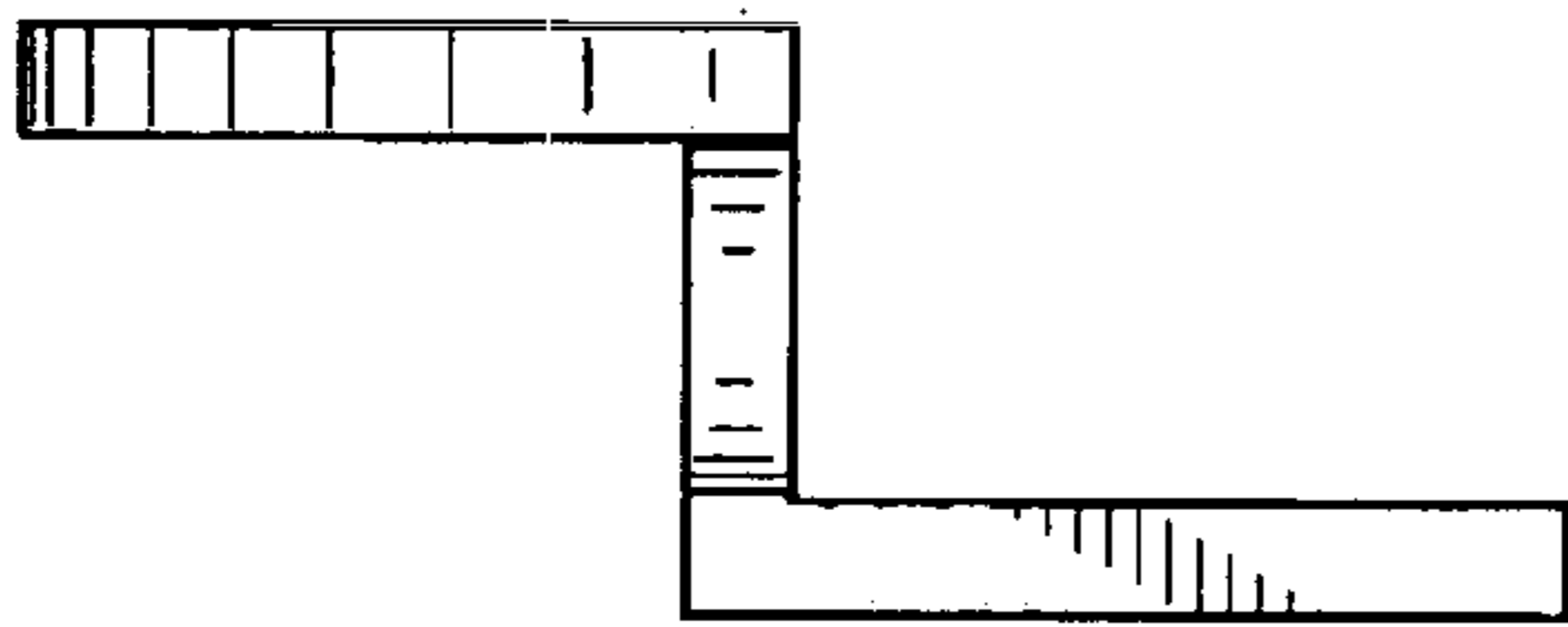


FIG. 4

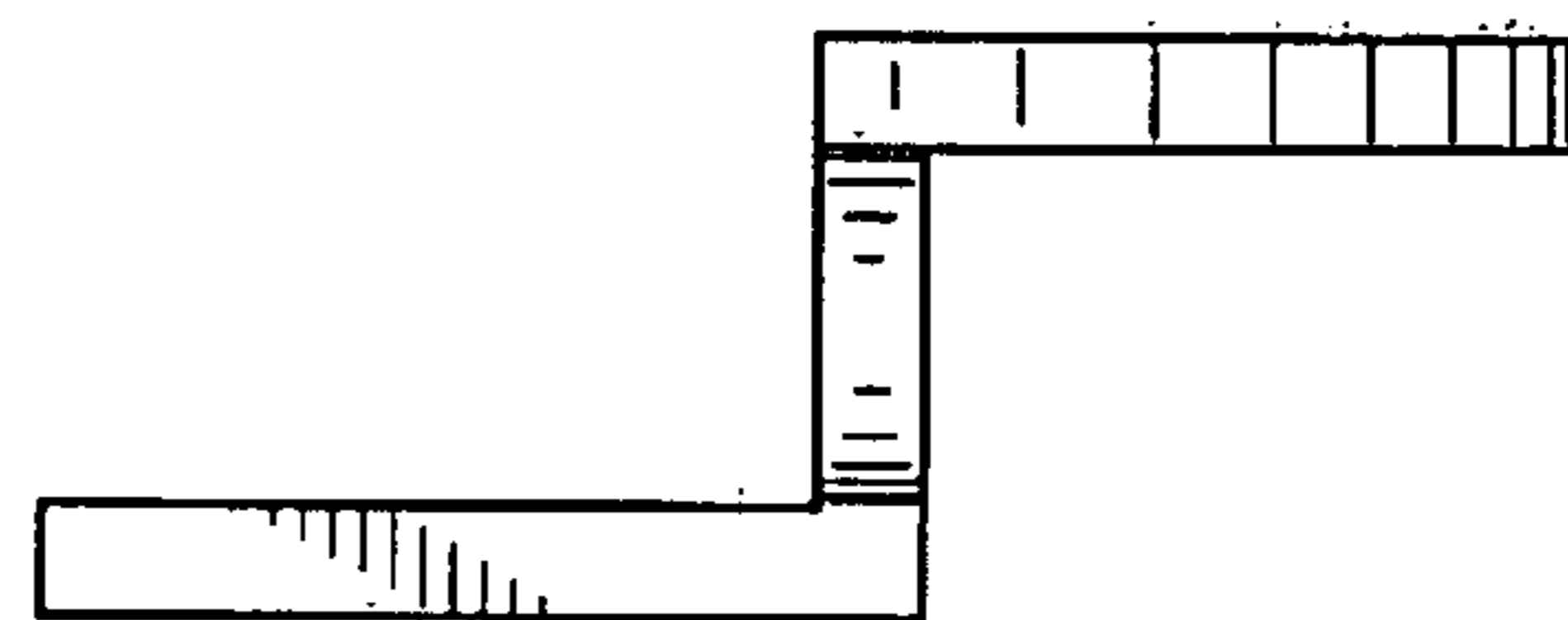


FIG. 5

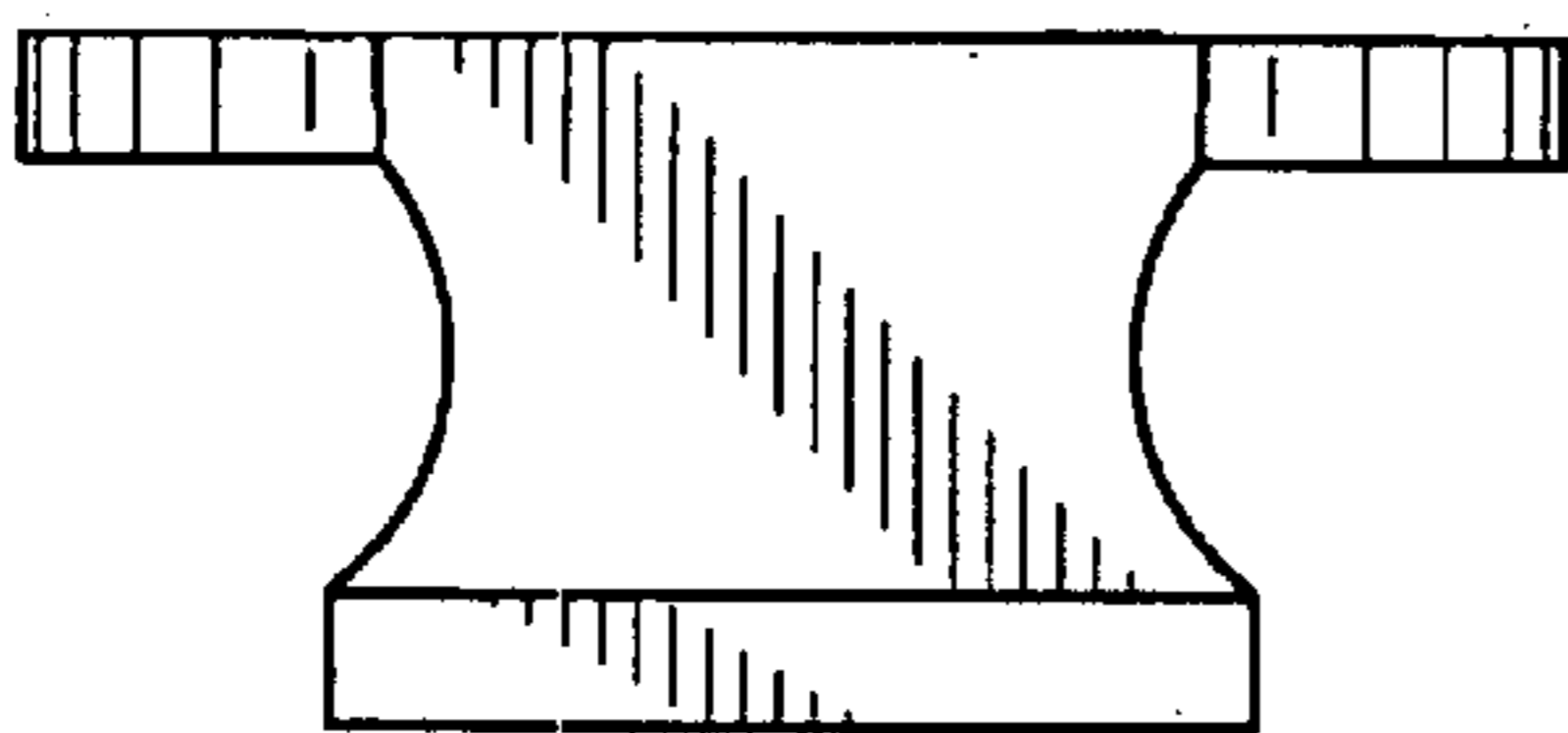


FIG. 6

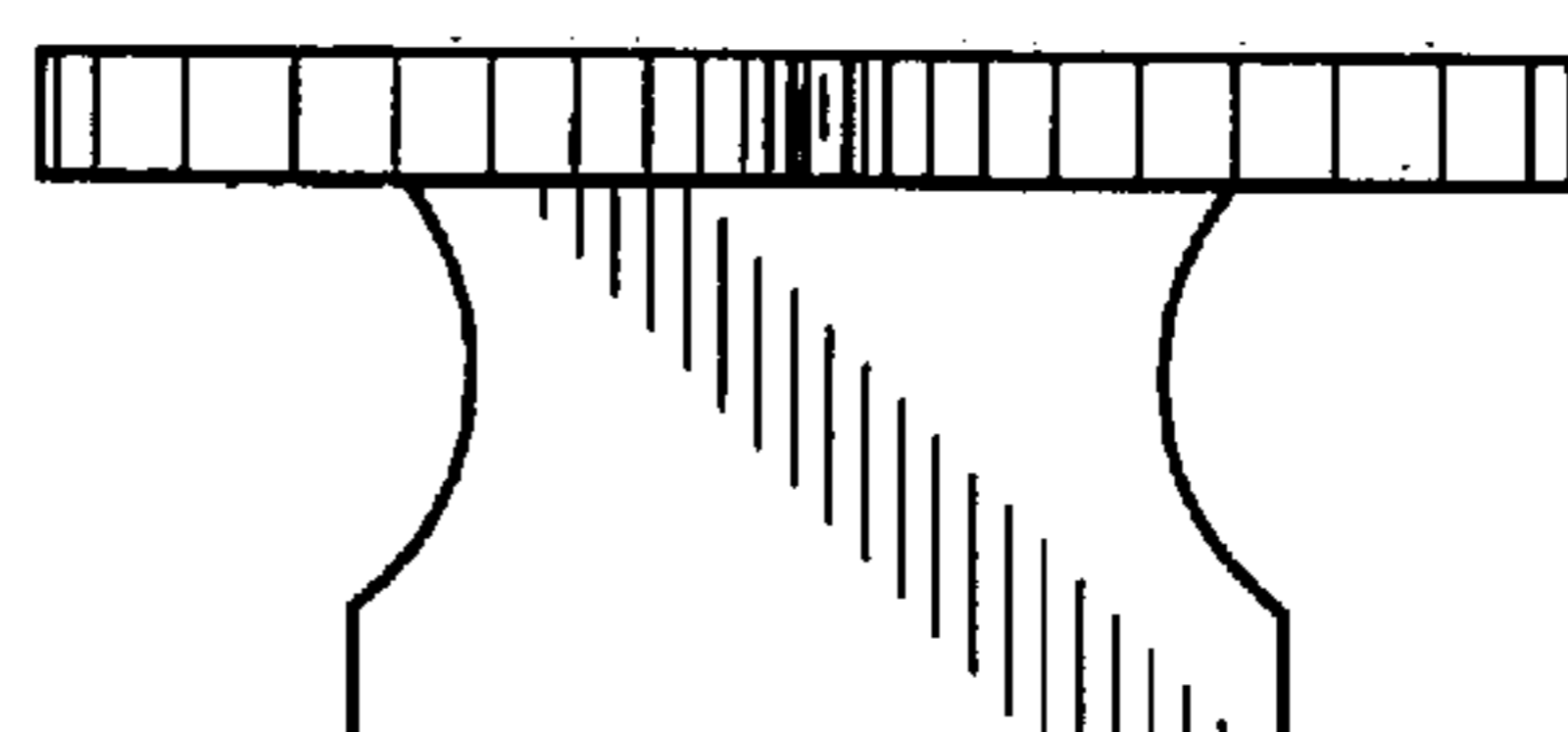


FIG. 7