



US00D543084S

(12) **United States Design Patent** (10) **Patent No.:** **US D543,084 S**
Yale (45) **Date of Patent:** **** May 22, 2007**

(54) **FOLDED MULTIPURPOSE HAND TOOL**

FOREIGN PATENT DOCUMENTS

(75) Inventor: **Melissa C. Yale**, Portland, OR (US)

EP 0783937 A2 11/1996

(73) Assignee: **Leatherman Tool Group, Inc.**,
Portland, OR (US)

OTHER PUBLICATIONS

(**) Term: **14 Years**

U.S. Appl. No. 29/209,072, Rivera.
U.S. Appl. No. 29/220,912, Yale et al.
U.S. Appl. No. 29/220,922, Yale.
U.S. Appl. No. 29/220,911, Tsuda.
U.S. Appl. No. 29/220,831, Yale.
U.S. Appl. No. 29/220,871, Yale et al.
U.S. Appl. No. 29/220,869, Yale.
SOG "Paratool" Multipurpose Tool, photocopy of User's Guide, at least as early as 1993.
Leatherman Tool Group, Inc., The Original Leatherman PST II, photocopy of brochure, at least as early as Jul. 1995.
E-Bay Advertisement, "Early 1900s Folding Fisherman's Tool MT," Item No. 2153119094, at least as early as Jan. 13, 2003.

(21) Appl. No.: **29/220,870**

(22) Filed: **Jan. 7, 2005**

(51) **LOC (8) Cl.** **08-05**

(52) **U.S. Cl.** **D8/105; D8/107**

(58) **Field of Classification Search** D8/4,
D8/51, 52, 54, 55, 56, 99, 104, 105, 107;
D22/118; D29/124; 7/118, 119, 125-135,
7/158, 163-166, 168; 30/136, 136.5, 160,
30/161; 81/300, 302, 304, 427.5, 440
See application file for complete search history.

Primary Examiner—Alan P. Douglas
Assistant Examiner—Deanna Fluegeman
(74) *Attorney, Agent, or Firm*—Chernoff, Vilhauer,
McClung & Stenzel, LLP

(56) **References Cited**

U.S. PATENT DOCUMENTS

124,566	A	3/1872	Garrick	
254,404	A	2/1882	Story	
3,783,509	A	1/1974	Lake	
4,238,862	A	12/1980	Leatherman	
4,364,104	A	* 12/1982	Holahan et al.	362/223
D304,154	S	10/1989	Osterhout	
4,882,841	A	11/1989	Margolis	
D332,384	S	1/1993	Dague	
5,267,366	A	12/1993	Frazer	
D344,006	S	2/1994	Glesser	
D357,166	S	4/1995	Concari	
D368,634	S	4/1996	Frazer	
5,511,310	A	4/1996	Sessions et al.	
5,564,318	A	10/1996	Pail	
D380,362	S	* 7/1997	Rivera	D8/52
D382,190	S	8/1997	Blackston et al.	
D384,872	S	10/1997	Yeh	

(57) **CLAIM**

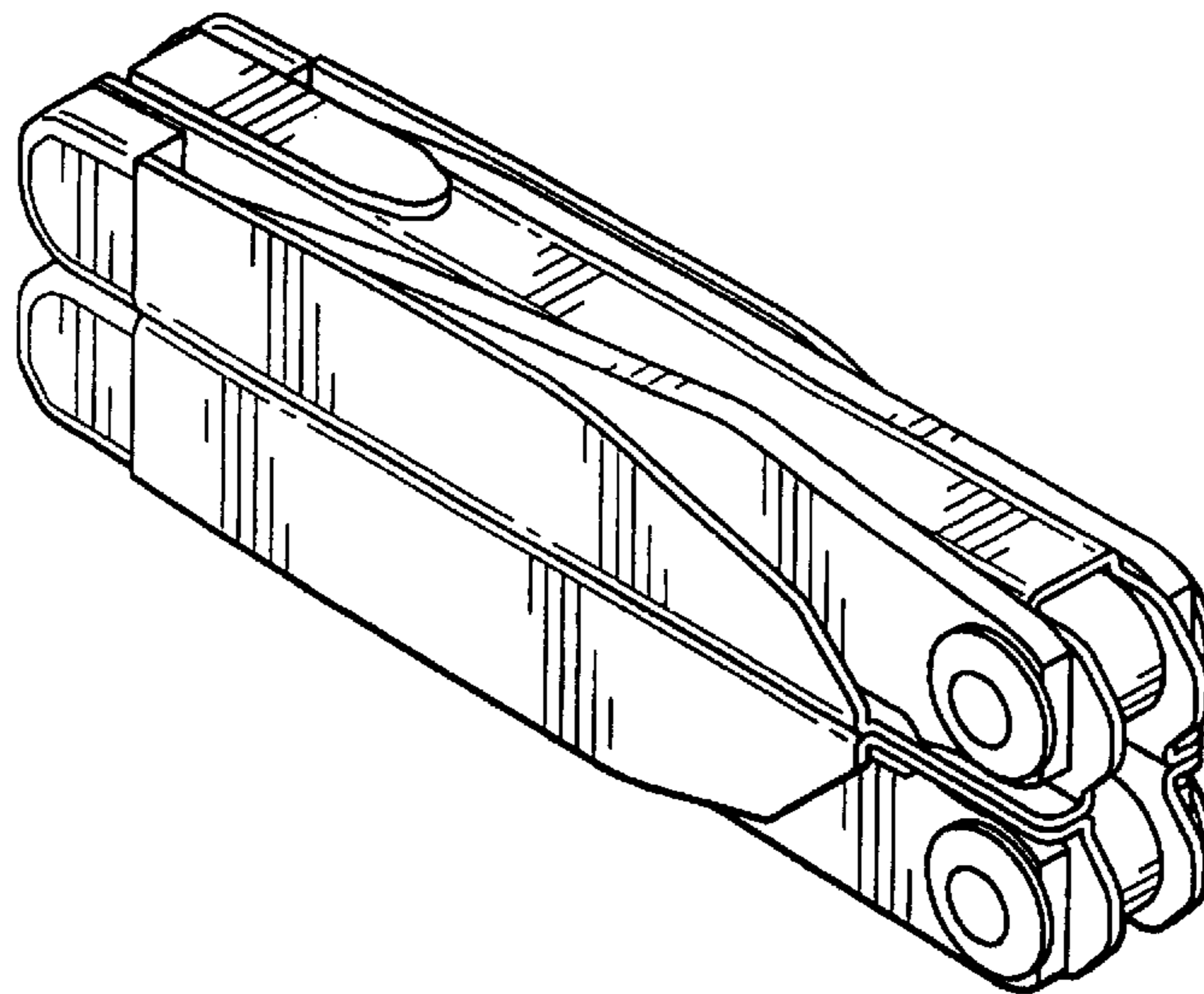
The ornamental design for a folded multipurpose hand tool, as shown and described.

DESCRIPTION

FIG. 1. is an isometric view from the upper right front of a folded multipurpose hand tool including my new design; FIG. 2. is a top plan view thereof; FIG. 3 is a right side elevational view thereof; FIG. 4 is a left side elevational view thereof; FIG. 5 is a bottom plan view thereof; FIG. 6 is a front end elevational view thereof; and, FIG. 7 is a rear end elevational view thereof.

(Continued)

1 Claim, 2 Drawing Sheets



US D543,084 S

U.S. PATENT DOCUMENTS

D385,168 S	10/1997	Rivera		D445,009 S	7/2001	Rivera	
D385,169 S	10/1997	Rivera		D446,708 S	8/2001	Rivera	
D385,170 S	10/1997	Rivera		D446,709 S	8/2001	Rivera	
5,711,194 A	1/1998	Anderson		D447,039 S	8/2001	Rivera	
D392,519 S	3/1998	Hung		D447,041 S	8/2001	Rivera	
5,743,582 A	4/1998	Rivera		D447,401 S	9/2001	Rivera	
5,745,997 A	5/1998	Berg et al.		6,282,996 B1	9/2001	Berg et al.	
D398,209 S	9/1998	Rivera		6,282,997 B1 *	9/2001	Frazer	81/427.5
D398,213 S	9/1998	Rivera		6,305,041 B1	10/2001	Montague et al.	
5,809,599 A	9/1998	Frazer		6,318,218 B1	11/2001	Anderson	
D401,133 S	11/1998	Gardiner et al.		D454,044 S *	3/2002	Alfaro	D8/107
D403,569 S *	1/1999	Frazer	D8/105	6,389,625 B1	5/2002	Rivera	
D403,944 S	1/1999	Rivera		6,408,522 B2	6/2002	Rivera	
D405,675 S	2/1999	Rivera		D460,332 S *	7/2002	Seber	D8/55
D405,676 S	2/1999	Rivera		6,427,334 B2	8/2002	Onion	
D406,508 S	3/1999	Rivera		6,510,767 B1	1/2003	Rivera	
D406,509 S	3/1999	Rivera		D470,031 S	2/2003	Rivera	
D406,997 S *	3/1999	Robbins	D8/55	D470,032 S	2/2003	Rivera	
D407,004 S	3/1999	Hull et al.		D470,372 S	2/2003	Rivera	
D407,622 S	4/1999	Rivera		D474,085 S	5/2003	Rivera	
D408,238 S	4/1999	Rivera		D474,670 S	5/2003	Rivera	
5,978,993 A	11/1999	Rivera		D479,788 S	9/2003	Ocklenburg	
5,979,059 A *	11/1999	Leatherman et al.	30/161	6,622,328 B2	9/2003	Rivera	
D417,601 S	12/1999	Rivera		6,625,832 B2	9/2003	Montague et al.	
6,003,180 A	12/1999	Frazer		D494,032 S	8/2004	Rivera	
6,014,787 A	1/2000	Rivera		D496,846 S	10/2004	Rivera et al.	
D421,377 S	3/2000	Rivera		D496,847 S	10/2004	Rivera et al.	
6,038,735 A *	3/2000	Chang	16/110.1	D497,093 S	10/2004	Rivera et al.	
6,047,426 A	4/2000	McIntosh et al.		D497,094 S	10/2004	Rivera et al.	
D426,446 S	6/2000	Chau		D497,095 S	10/2004	Rivera et al.	
D426,447 S	6/2000	Chau		D497,096 S	10/2004	Rivera et al.	
D427,501 S	7/2000	Rivera		D497,532 S	10/2004	Rivera et al.	
D429,131 S	8/2000	Rivera		D497,790 S	11/2004	Rivera et al.	
D429,132 S	8/2000	Rivera		D497,791 S	11/2004	Rivera et al.	
D429,616 S	8/2000	Rivera		D499,621 S	12/2004	Tsuda	
D429,989 S *	8/2000	Rivera	D8/105	D499,622 S	12/2004	Rivera et al.	
6,128,805 A	10/2000	Rivera		D501,127 S	1/2005	Rivera et al.	
D433,902 S	11/2000	Rivera		7,051,627 B2 *	5/2006	Rivera	81/440
D435,776 S	1/2001	Veltz et al.		2003/0192128 A1	10/2003	Rivera	
D436,514 S	1/2001	Rivera		2004/0003472 A1	1/2004	Dallas et al.	
6,216,301 B1	4/2001	Rivera		2004/0019973 A1	2/2004	Rivera	
6,226,822 B1	5/2001	Chen					

* cited by examiner

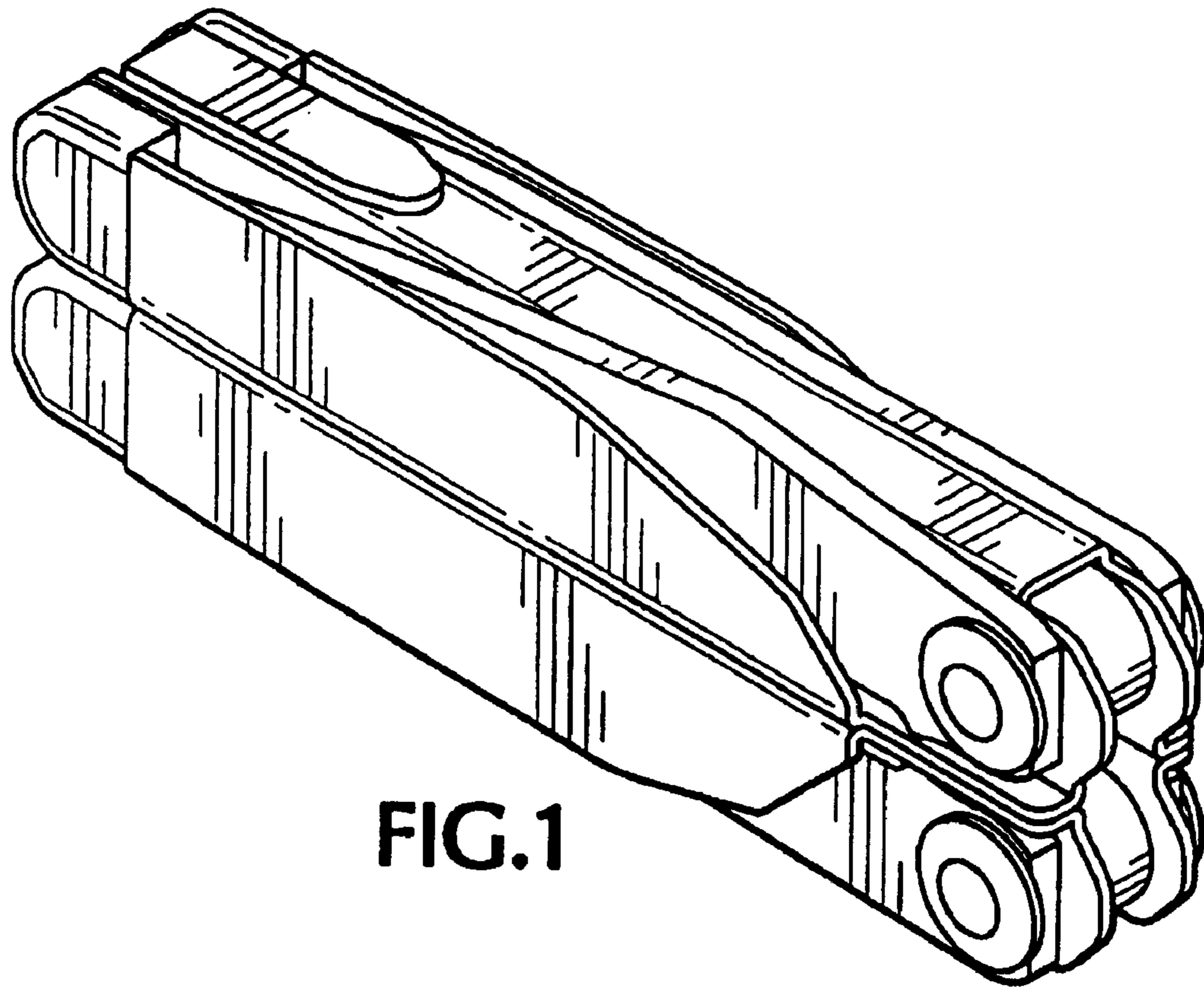


FIG. 1

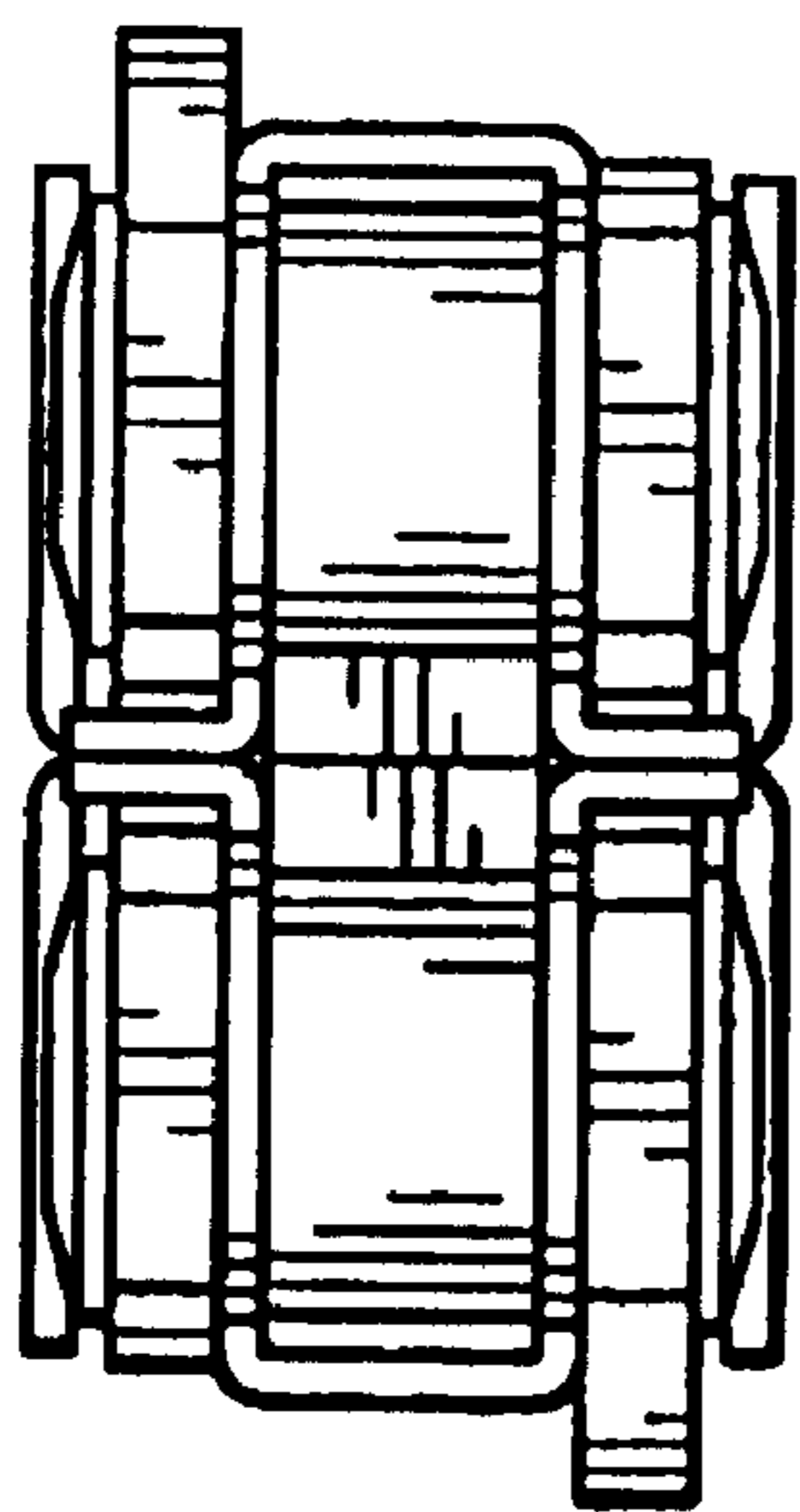


FIG. 6

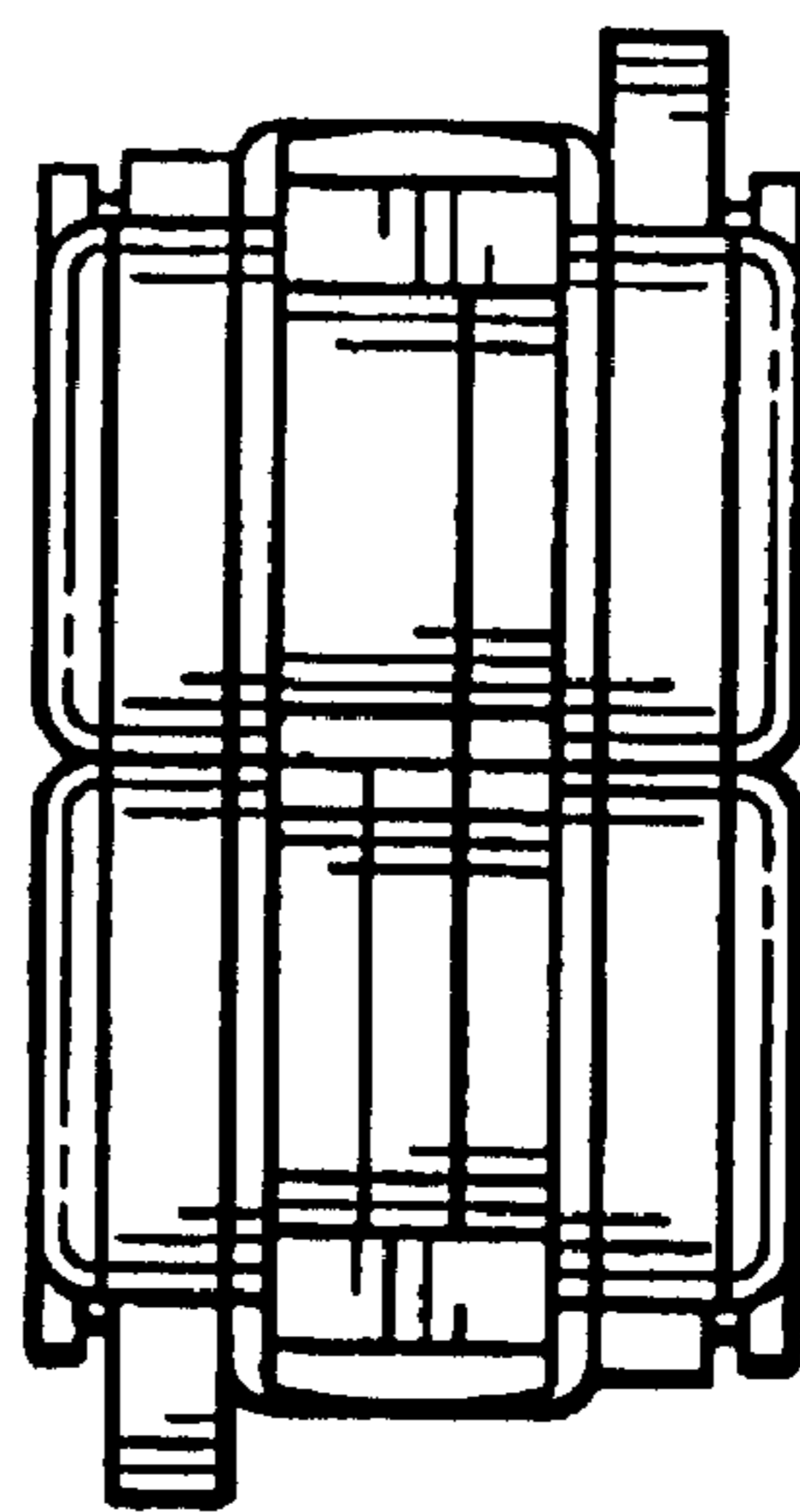


FIG. 7

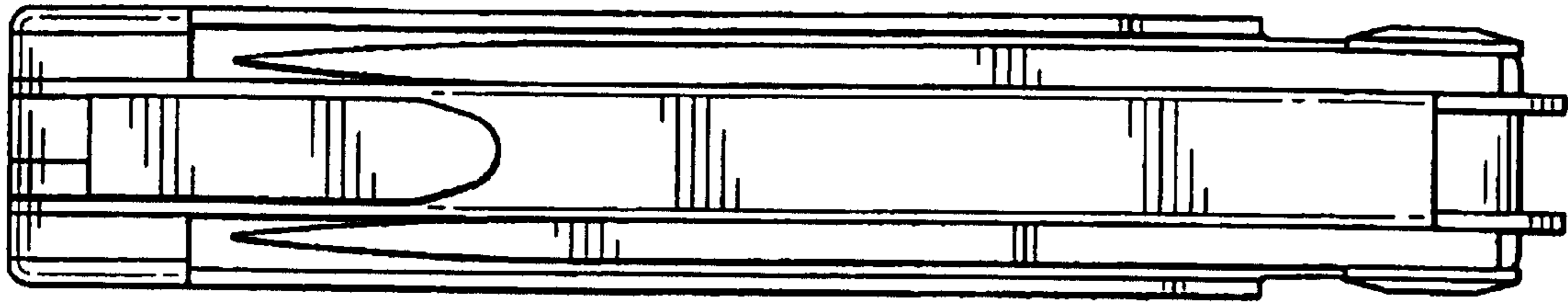


FIG. 2

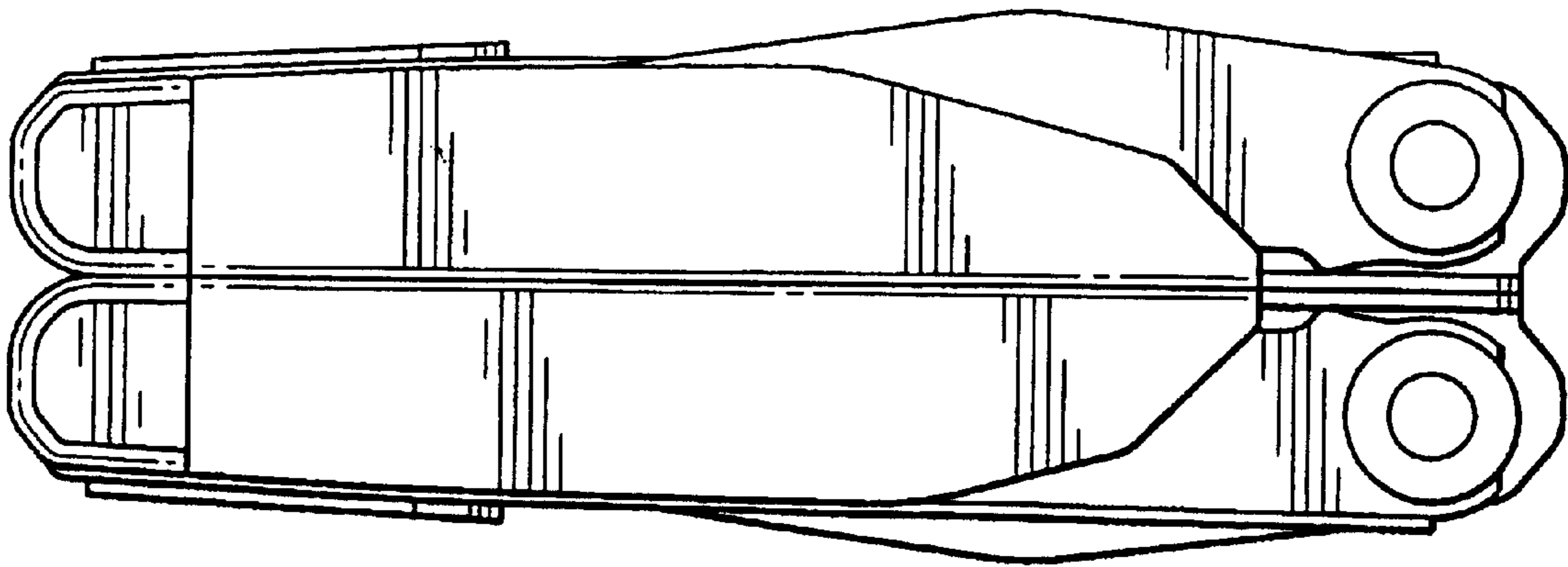


FIG. 3

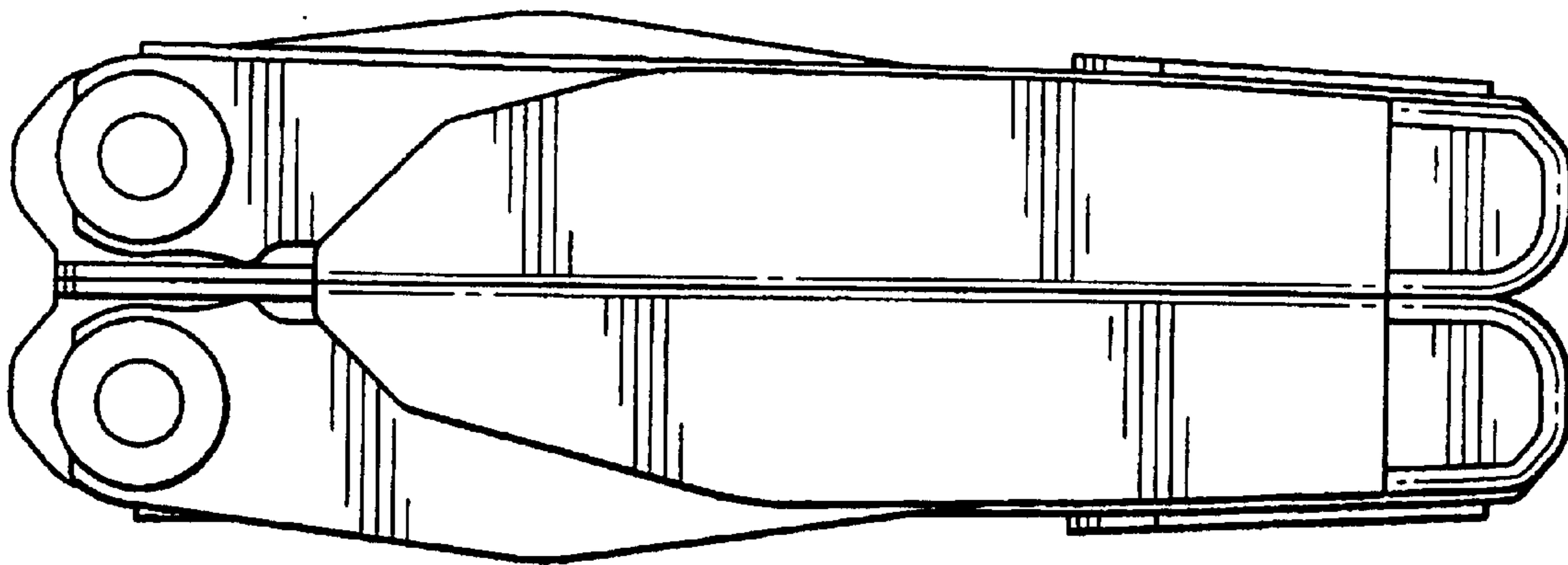


FIG. 4

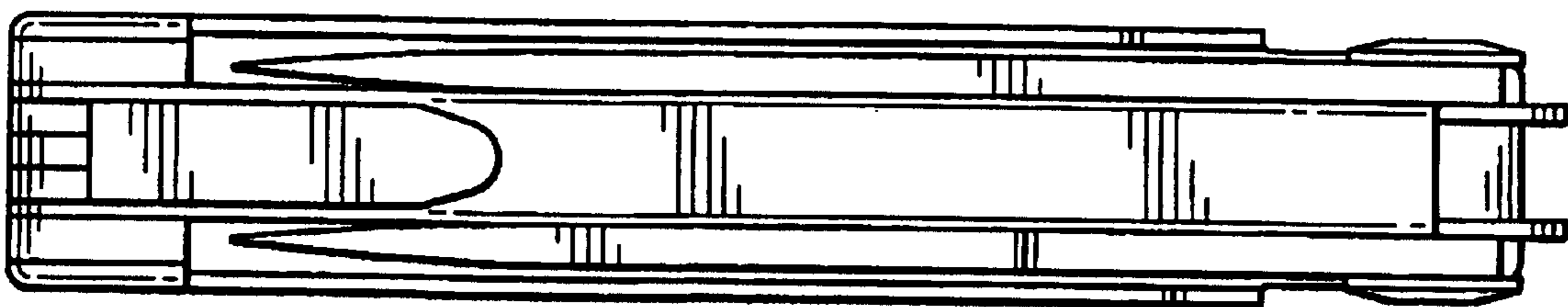


FIG. 5