

US00D543082S

(12) **United States Design Patent**
Stirm

(10) **Patent No.:** **US D543,082 S**

(45) **Date of Patent:** **** May 22, 2007**

(54) **CORDLESS HAMMER**

(75) Inventor: **Michael Stirm**, Oberursel (DE)

(73) Assignee: **Black & Decker Inc.**, Newark, DE (US)

(**) Term: **14 Years**

(21) Appl. No.: **29/241,281**

(22) Filed: **Oct. 26, 2005**

(30) **Foreign Application Priority Data**

Apr. 28, 2005 (EM) 000332747

(51) **LOC (8) Cl.** **08-02**

(52) **U.S. Cl.** **D8/69**

(58) **Field of Classification Search** D8/14.1,
D8/61, 62, 63, 64, 65, 66, 67, 68, 69, 70;
81/57.11, 429, 464, 465, 466, 469, 489; 173/13,
173/104, 114, 168, 169, 170, 171, 178, 201,
173/211, 213, 217; 408/20, 124, 125, 234,
408/241 R; 451/358; 310/50; 227/8, 114,
227/120, 130, 136, 142

See application file for complete search history.

(56) **References Cited**

U.S. PATENT DOCUMENTS

D310,936 S * 10/1990 Saito et al. D8/67
D316,020 S * 4/1991 Fushiya et al. D8/61

5,653,296 A * 8/1997 Fujiyama 173/170
D442,452 S * 5/2001 Stirm et al. D8/69
6,412,572 B2 * 7/2002 Habedank et al. 310/50
D474,092 S * 5/2003 Stirm D8/69
D491,438 S * 6/2004 Cheung et al. D8/68
6,971,456 B2 * 12/2005 Yamada et al. 173/168
2001/0040036 A1 * 11/2001 Habedank et al. 310/50
2003/0094294 A1 * 5/2003 Fritz 173/171
2004/0211575 A1 * 10/2004 Soika et al. 172/217
2004/0231871 A1 * 11/2004 Arich et al. 173/217
2004/0251041 A1 * 12/2004 Grossman 173/217
2005/0034883 A1 * 2/2005 Yamada et al. 173/217

* cited by examiner

Primary Examiner—T. Chase Nelson

(74) *Attorney, Agent, or Firm*—Michael P. Leary; Charles E. Yocum; Adan Ayala

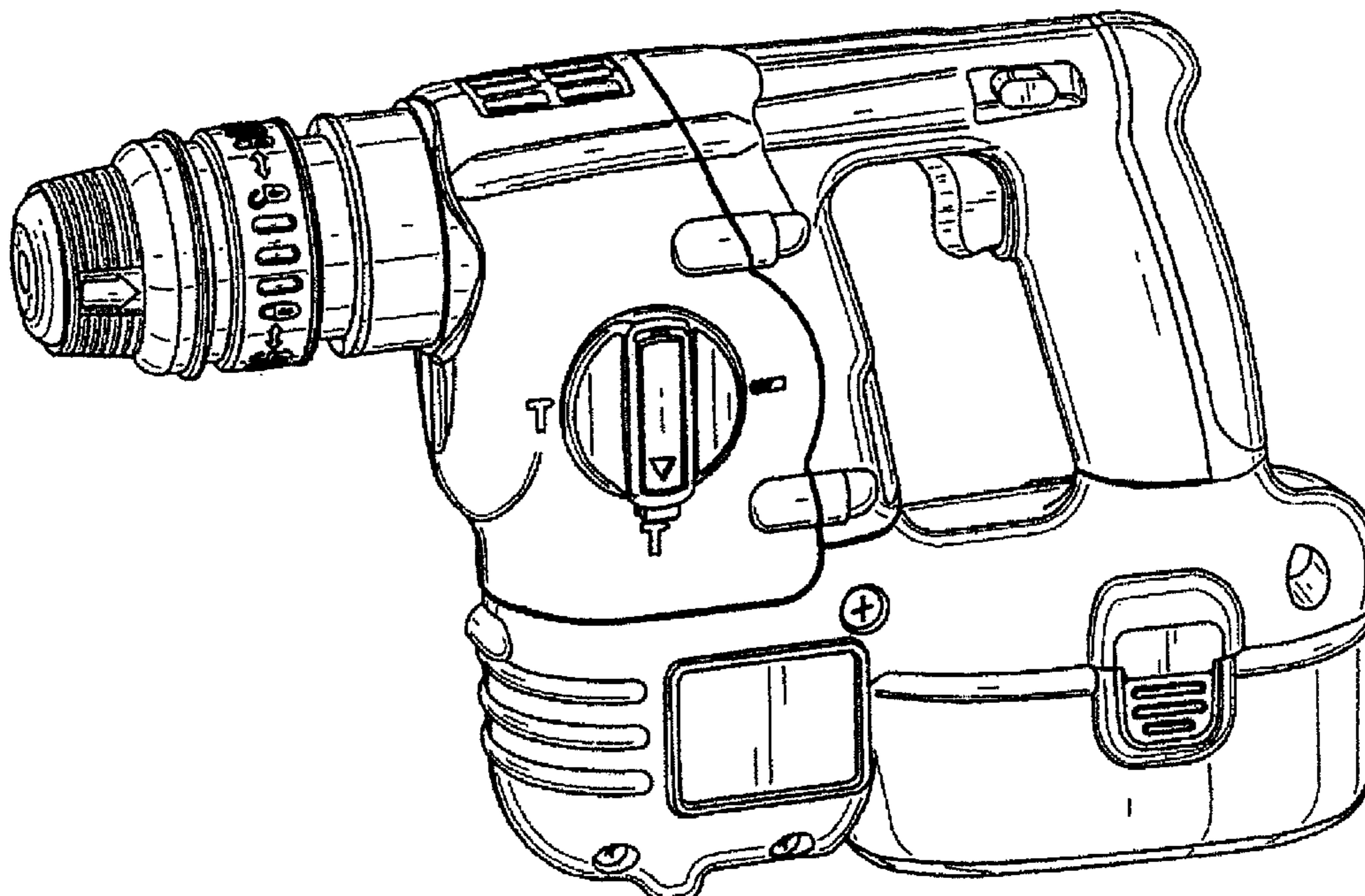
(57) **CLAIM**

The ornamental design for a cordless hammer, as shown and described

DESCRIPTION

FIG. 1 is a left/front perspective view of a cordless hammer. FIG. 2 is a left side elevational view thereof. FIG. 3 is a right side elevational view thereof. FIG. 4 is a front elevational view thereof. FIG. 5 is a rear elevational view thereof. FIG. 6 is a top view thereof; and, FIG. 7 is a bottom view thereof.

1 Claim, 5 Drawing Sheets



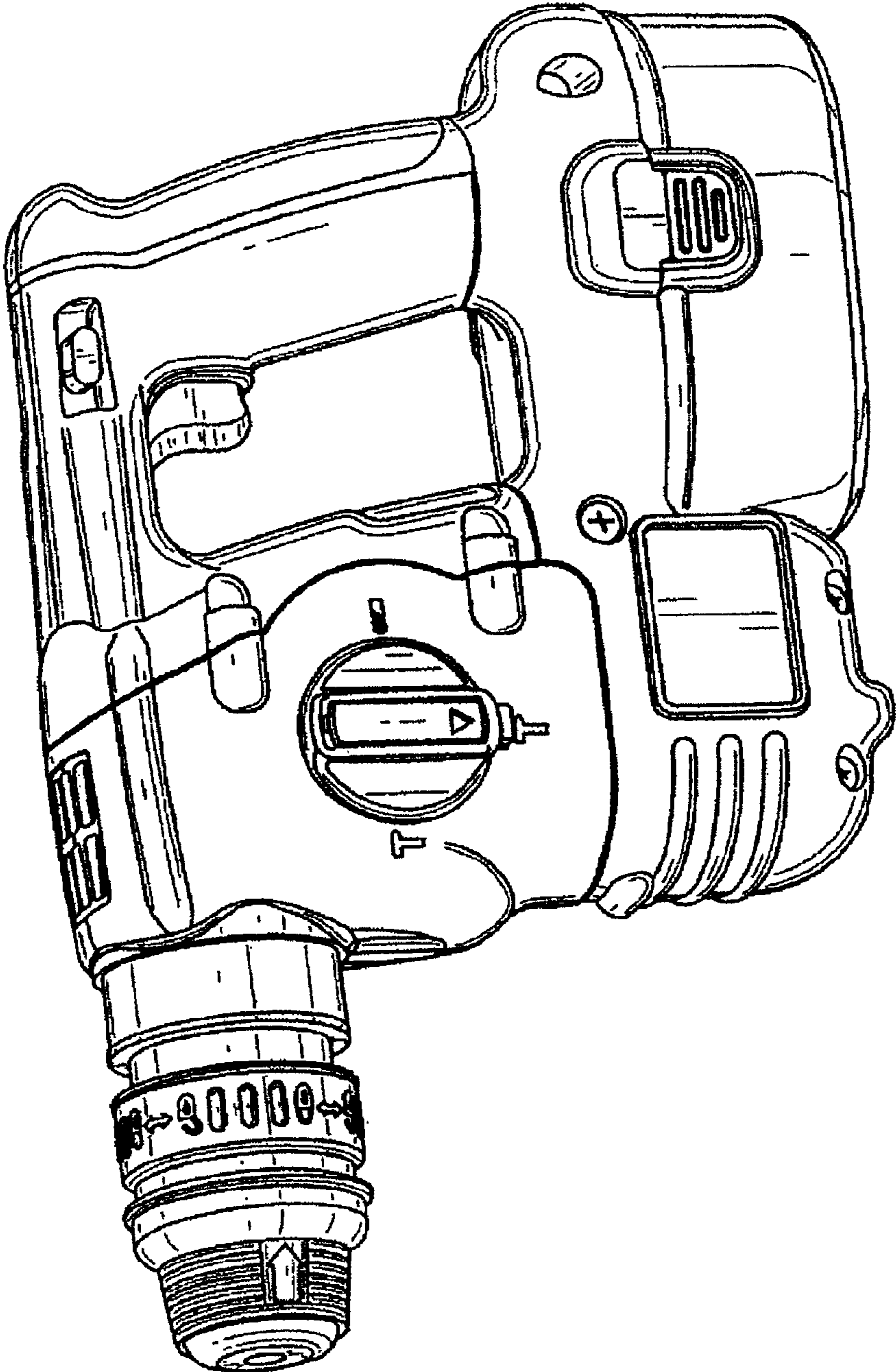


FIG. 1

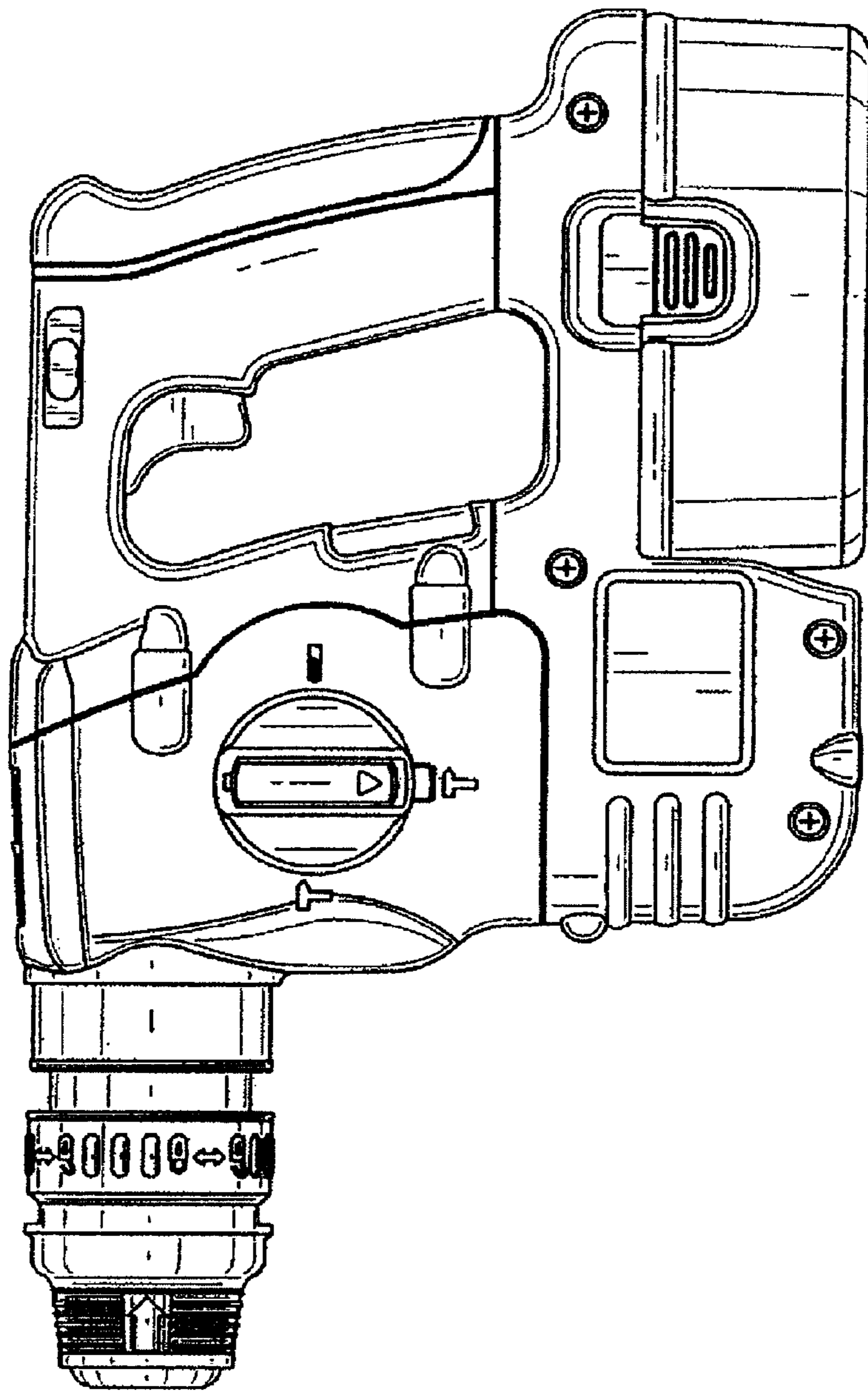


FIG. 2

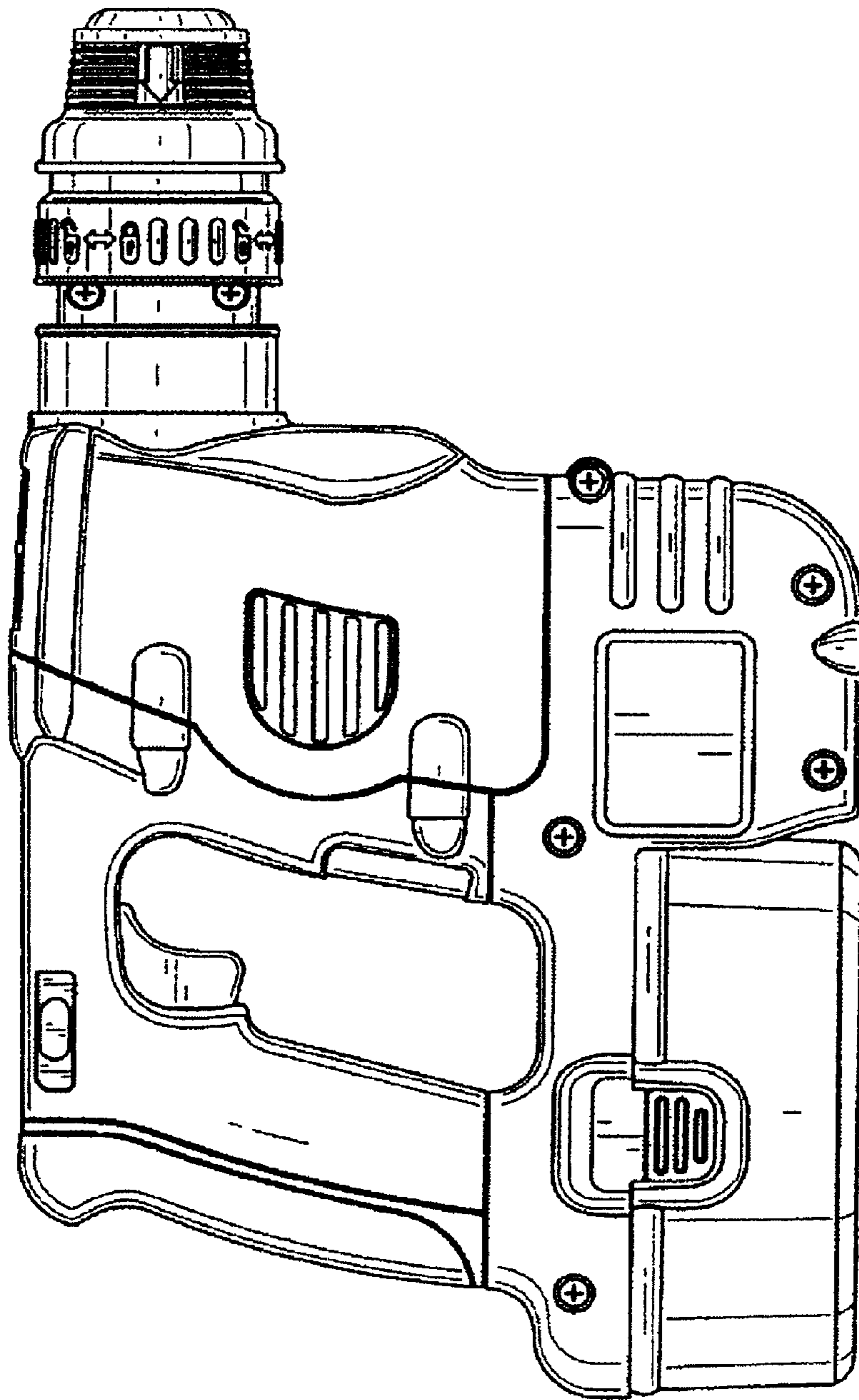


FIG. 3

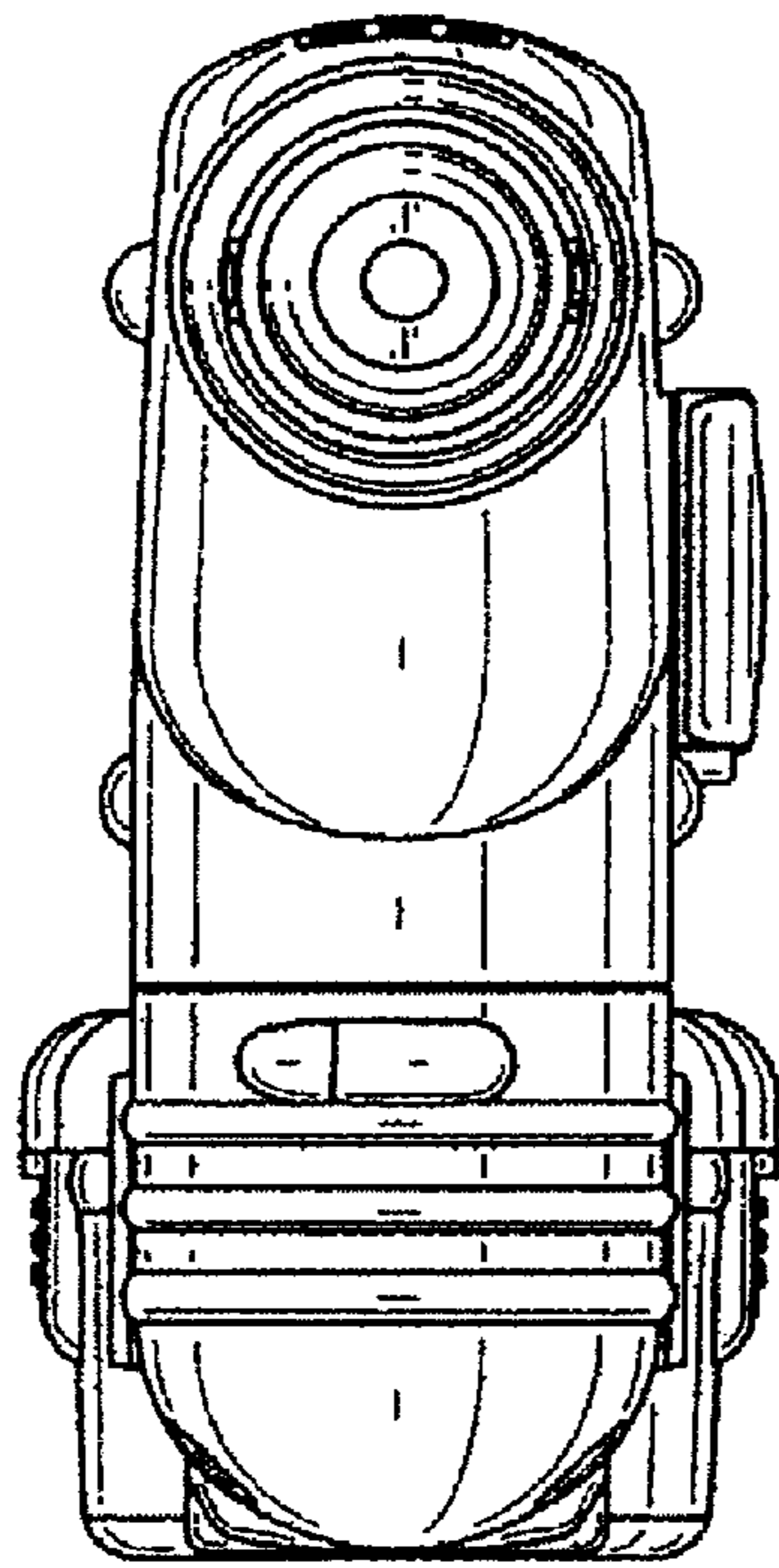


FIG. 4

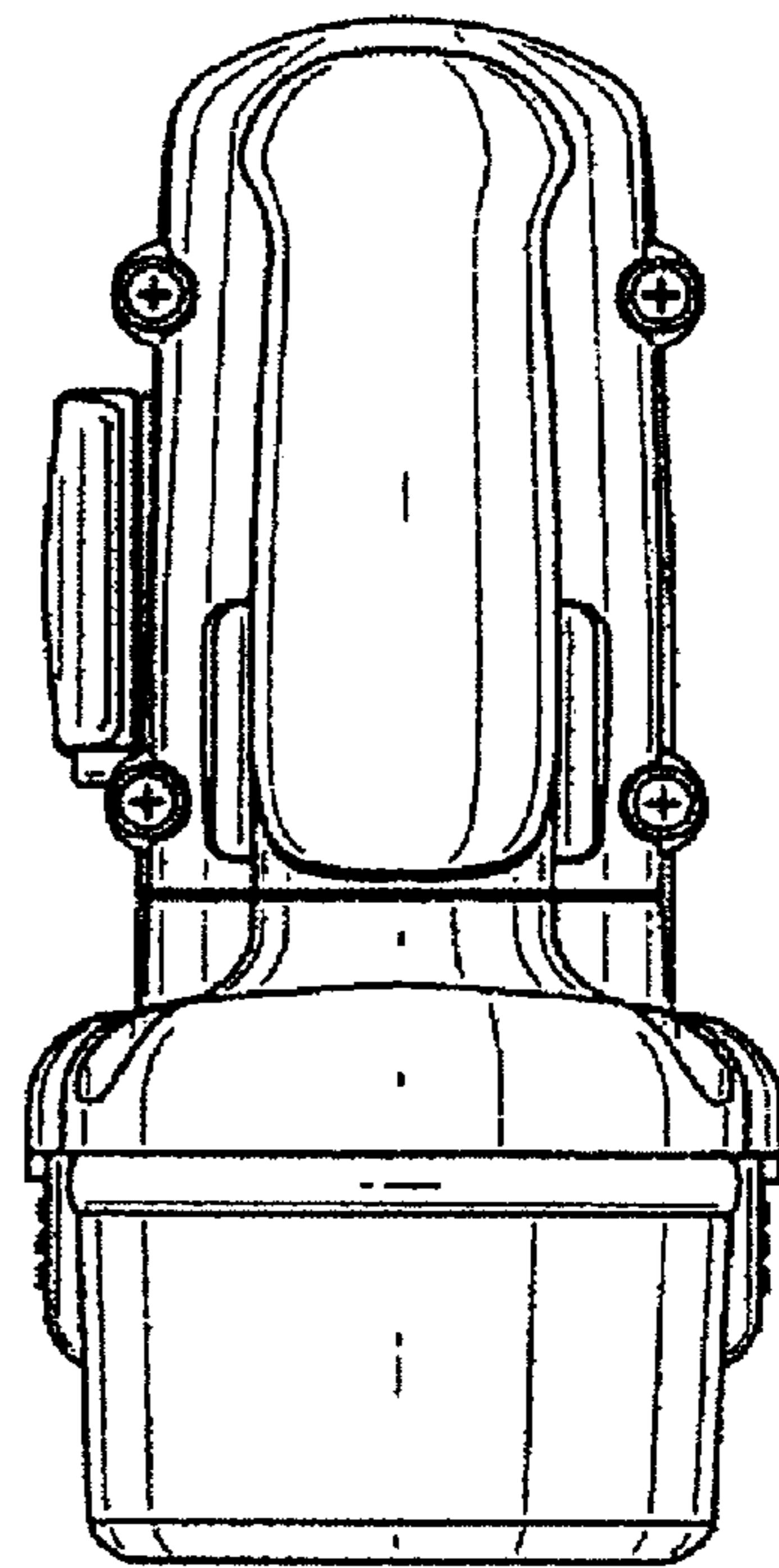


FIG. 5

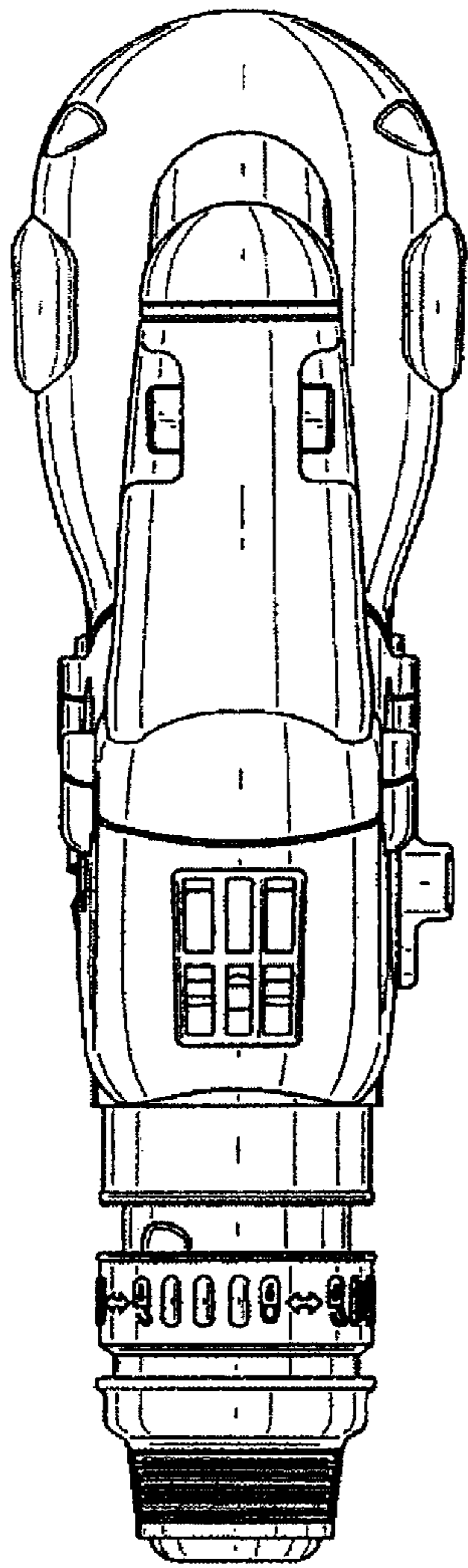


FIG. 6

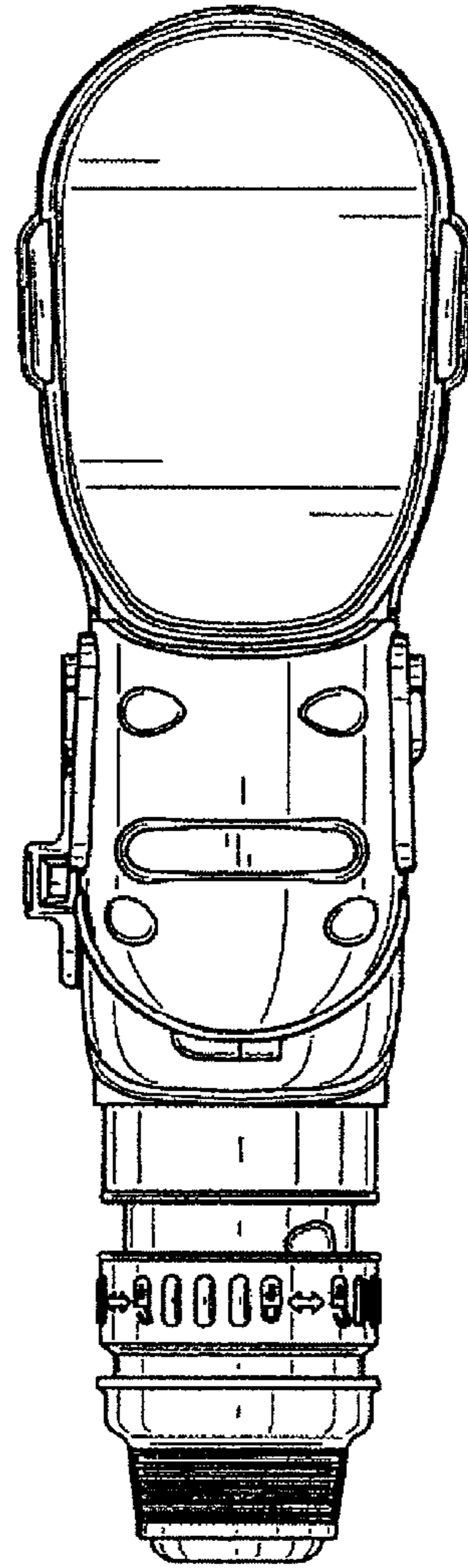


FIG. 7