

US00D543081S

(12) **United States Design Patent**
Watson

(10) **Patent No.:** **US D543,081 S**

(45) **Date of Patent:** **** May 22, 2007**

- (54) **CORDLESS DRILL**
- (75) Inventor: **James B. Watson**, Fallston, MD (US)
- (73) Assignee: **Black & Decker Inc.**, Newark, DE (US)
- (**) Term: **14 Years**
- (21) Appl. No.: **29/255,025**
- (22) Filed: **Mar. 2, 2006**

- 5,706,902 A 1/1998 Eisenhardt
- D396,395 S 7/1998 Zurwelle
- D396,621 S 8/1998 Zurwelle
- D396,789 S 8/1998 Murray
- D400,074 S 10/1998 Cooper
- D400,415 S 11/1998 Zurwelle
- D400,416 S 11/1998 Zurwelle
- D402,871 S * 12/1998 Clowers et al. D8/68
- D404,275 S 1/1999 Bunyea et al.
- D406,511 S 3/1999 Zurwelle
- D406,741 S 3/1999 Zurwelle
- D418,730 S 1/2000 Main
- D421,883 S 3/2000 Watson et al.
- D428,320 S 7/2000 Ohi et al.
- D431,766 S 10/2000 Zurwelle
- D435,414 S 12/2000 Etter et al.
- D436,511 S 1/2001 Hayakawa et al.
- D447,036 S 8/2001 Netzler
- D447,399 S 9/2001 Netzler
- 6,308,378 B1 * 10/2001 Mooty et al. 408/124

Related U.S. Application Data

- (63) Continuation-in-part of application No. 29/235,461, filed on Aug. 2, 2005.
- (51) **LOC (8) Cl.** **08-01**
- (52) **U.S. Cl.** **D8/68**
- (58) **Field of Classification Search** D8/14.1, D8/61, 62, 63, 64, 65, 66, 67, 68, 69, 70; 81/57.11, 429, 464, 465, 466, 469, 489; 173/13, 173/104, 114, 168, 169, 170, 171, 178, 201, 173/211, 213, 217; 408/20, 124, 125, 234, 408/241 R; 451/358; 310/50; 227/8, 113, 227/114, 120, 130, 136, 142
See application file for complete search history.

(Continued)

FOREIGN PATENT DOCUMENTS

- GB 2041265 S * 8/1993
- GB 3001388 S * 2/2002

Primary Examiner—T. Chase Nelson
(74) *Attorney, Agent, or Firm*—Michael P. Leary; Charles E. Yocum; Adan Ayala

(56) **References Cited**

U.S. PATENT DOCUMENTS

- D280,379 S 9/1985 Somers
- D280,796 S 10/1985 Somers
- D289,004 S 3/1987 Somers
- D303,347 S 9/1989 Somers
- D304,287 S 10/1989 Zurwelle
- D304,822 S 11/1989 Fushiya et al.
- D314,698 S 2/1991 Zurwelle
- D316,021 S 4/1991 Bunyea
- D319,763 S 9/1991 Reiferscheid
- D333,960 S 3/1993 Somers
- D359,215 S * 6/1995 Zurwelle D8/68
- D362,167 S * 9/1995 Zurwelle D8/68
- D368,009 S * 3/1996 Zurwelle D8/68
- D368,214 S 3/1996 Zurwelle
- D386,662 S * 11/1997 Tozawa et al. D8/68

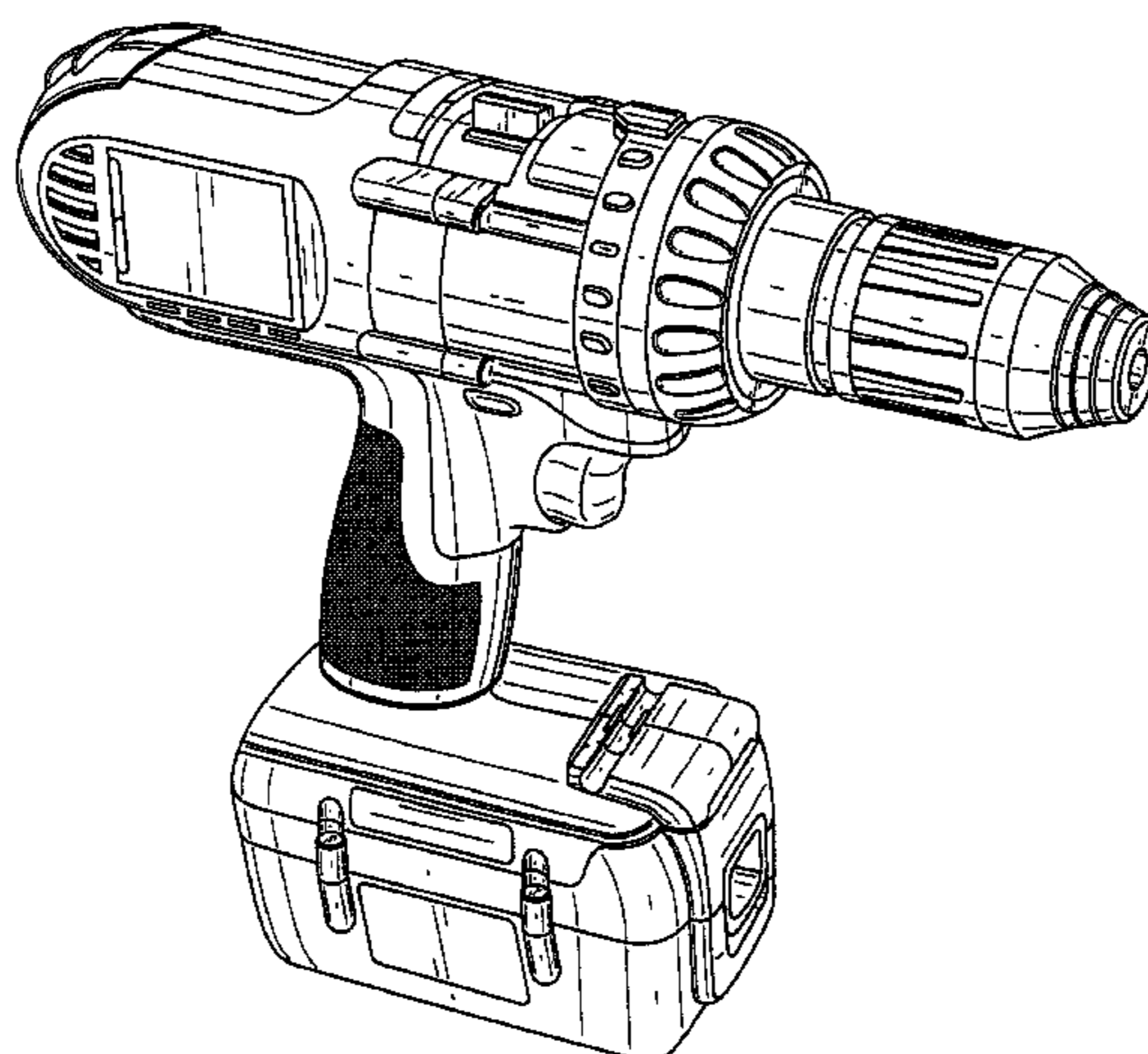
(57) **CLAIM**

The ornamental design for a cordless drill, as shown and described.

DESCRIPTION

FIG. 1 is a right/front perspective view of a cordless drill showing my new design.
FIG. 2 is a front view thereof.
FIG. 3 is a rear view thereof.
FIG. 4 is a right side view thereof.
FIG. 5 is a left side view thereof.
FIG. 6 is a top view thereof; and,
FIG. 7 is a bottom view thereof.

1 Claim, 7 Drawing Sheets



US D543,081 S

Page 2

U.S. PATENT DOCUMENTS

6,401,837 B1	6/2002	Pan	
D460,673 S	7/2002	Heun	
D460,907 S	7/2002	Geis	
6,431,289 B1	8/2002	Potter et al.	
D462,248 S	9/2002	Cooper	
D462,592 S	9/2002	Cooper	
6,446,734 B1 *	9/2002	Williams et al.	173/217
D464,858 S	10/2002	Netzler	
D464,859 S	10/2002	Netzler	
D466,386 S	12/2002	Zurwelle	
D466,777 S *	12/2002	Watson	D8/68
D466,780 S	12/2002	Stirm	
D467,147 S	12/2002	Watson	
D467,148 S *	12/2002	Flickinger	D8/68
6,502,648 B2 *	1/2003	Milbourne	173/178
D470,028 S	2/2003	Cooper	
D472,781 S	4/2003	Netzler	
D474,445 S	5/2003	Matsuoka et al.	
D475,679 S	6/2003	Cooper et al.	
D475,909 S	6/2003	Waldron	
D477,811 S	7/2003	Niwa et al.	
D479,455 S	9/2003	Waldron	
D479,456 S	9/2003	Murray et al.	
D482,253 S	11/2003	Cooper et al.	
D483,012 S	12/2003	Hsu	
D487,686 S	3/2004	Milbourne	
D489,955 S	5/2004	Concari et al.	
D494,034 S	8/2004	Cheung	
6,776,244 B2 *	8/2004	Milbourne	173/170
D496,573 S	9/2004	Cooper	
6,805,207 B2 *	10/2004	Hagan et al.	173/170
D499,624 S	12/2004	Concari et al.	
6,840,335 B1 *	1/2005	Wu	310/50
D501,384 S	2/2005	Wright et al.	
D501,779 S	2/2005	Watson	
6,851,487 B1 *	2/2005	Shotey	173/171
D504,298 S	4/2005	Bian	
D504,394 S	4/2005	Cheung et al.	
2002/0096341 A1 *	7/2002	Hagan et al.	173/170
2002/0110431 A1 *	8/2002	Dils et al.	408/124
2003/0127932 A1 *	7/2003	Ishida et al.	310/50
2003/0143042 A1 *	7/2003	Doyle et al.	408/124
2004/0211576 A1	10/2004	Milbourne et al.	
2005/0061524 A1 *	3/2005	Hagan et al.	173/170
2006/0096771 A1 *	5/2006	Brotto	173/217

* cited by examiner

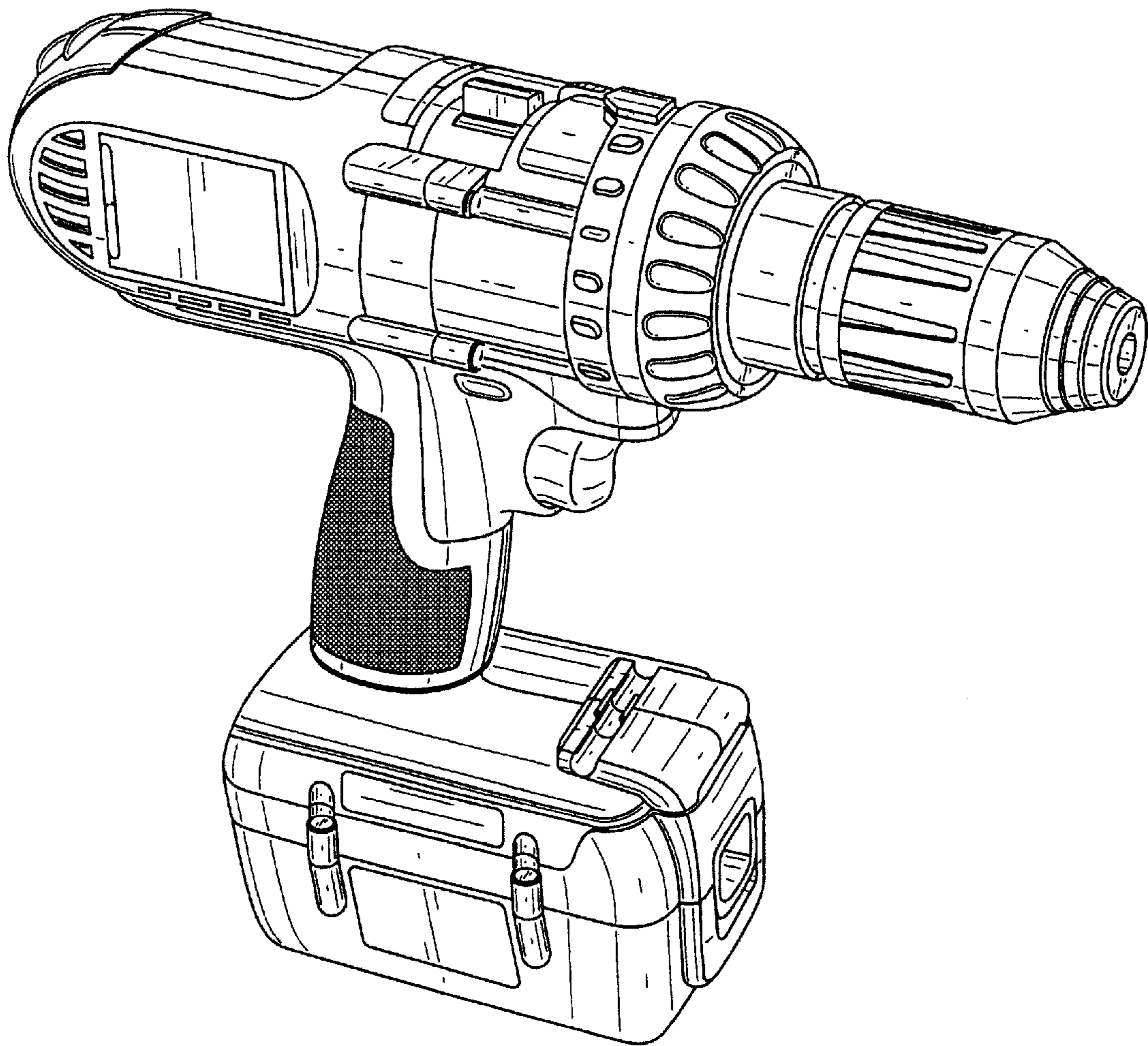


FIG. 1

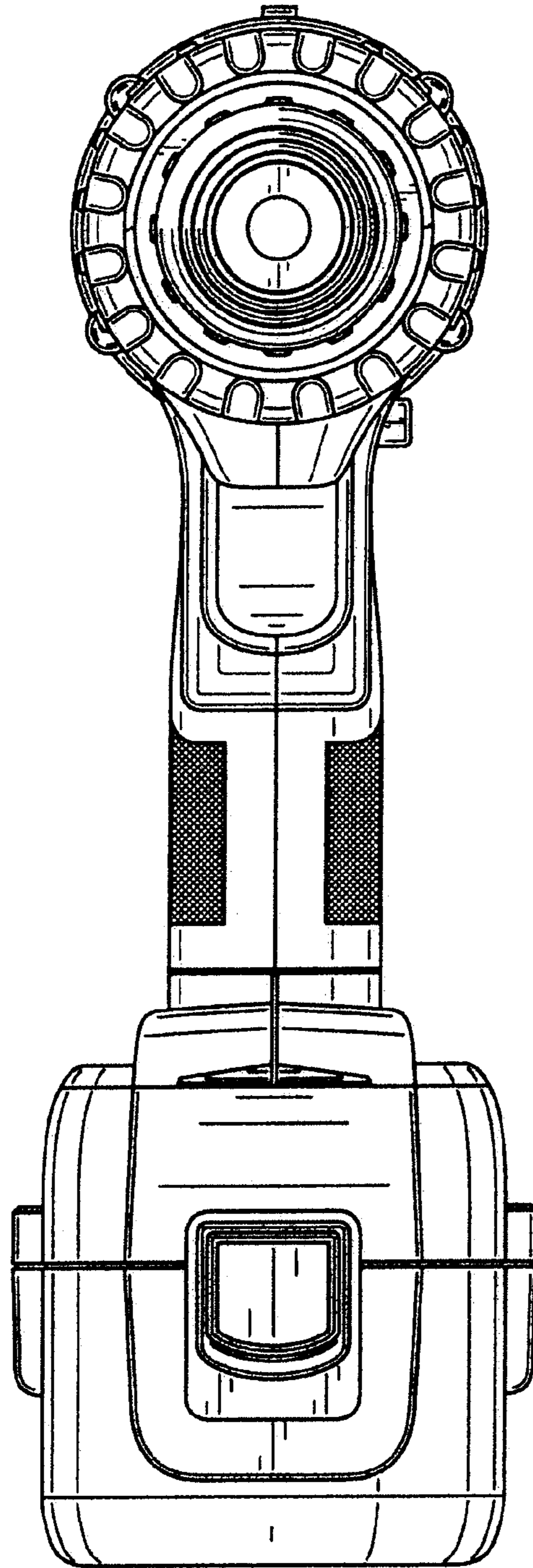


FIG. 2

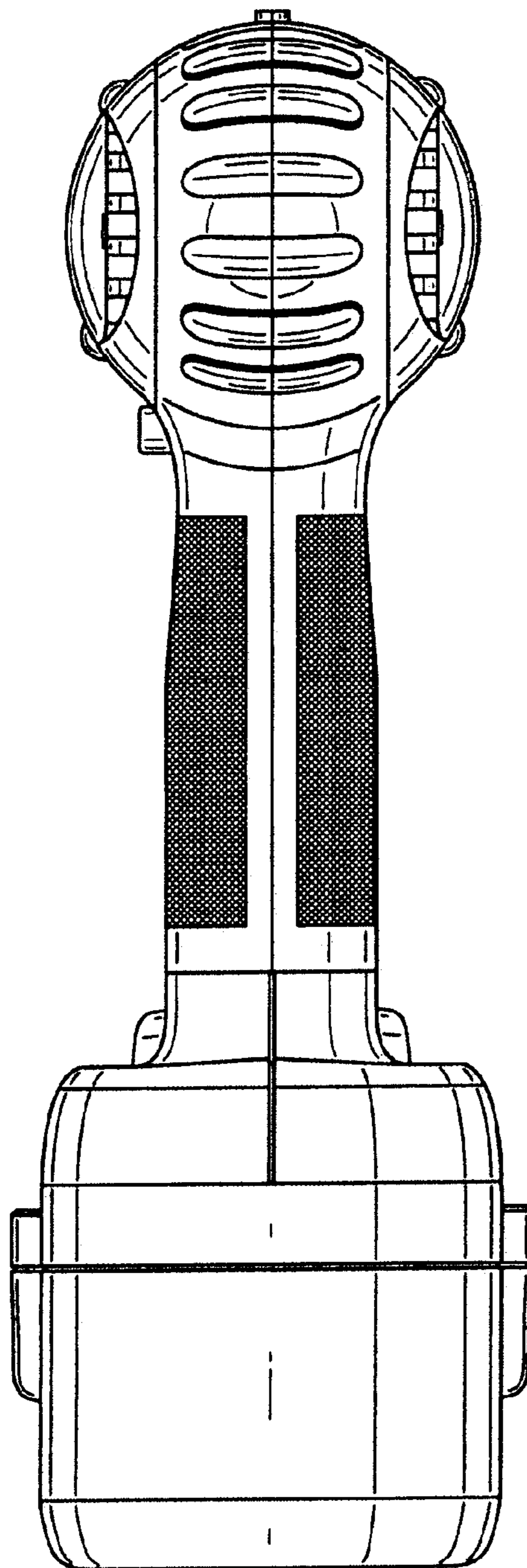


FIG. 3

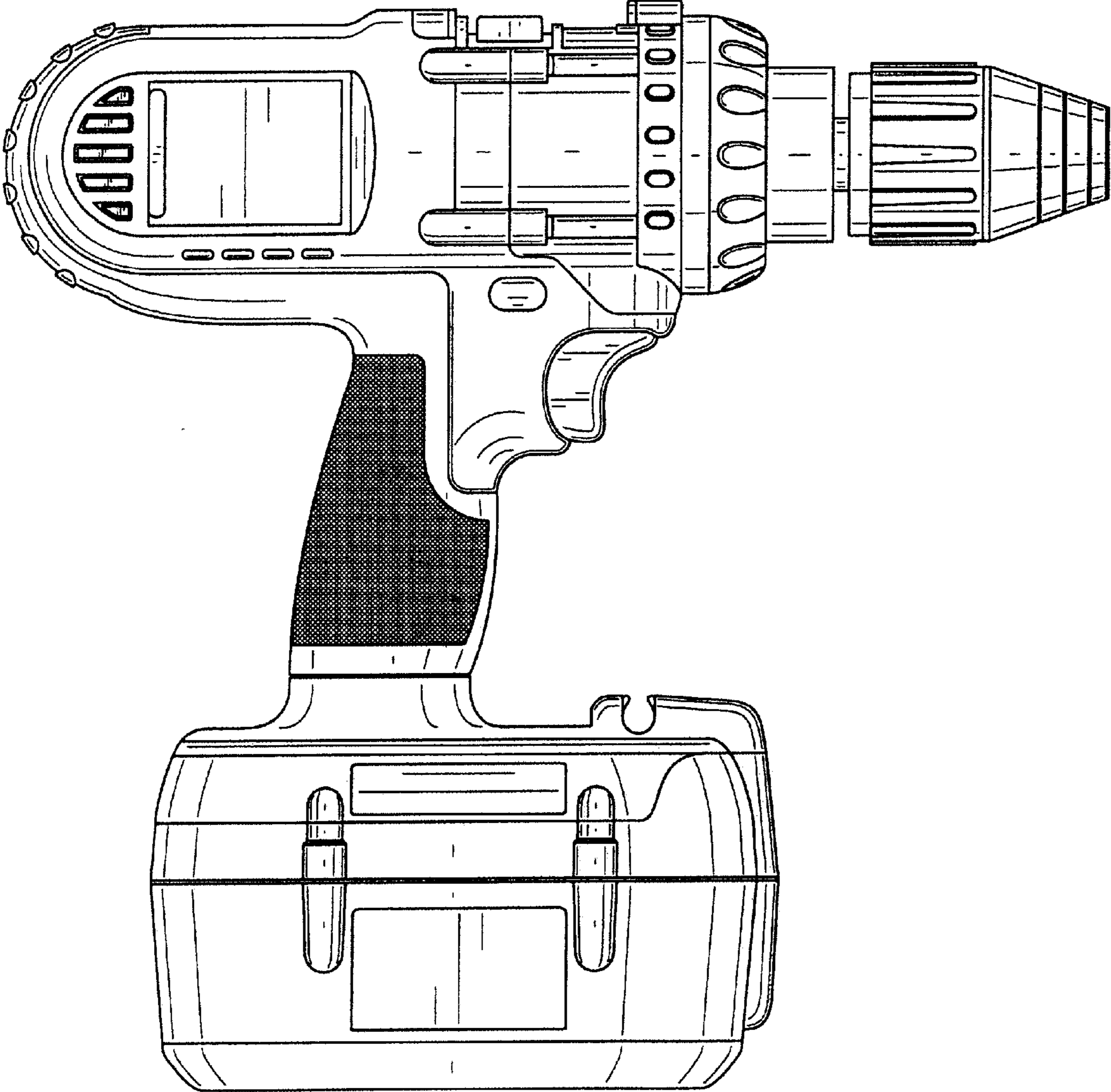


FIG. 4

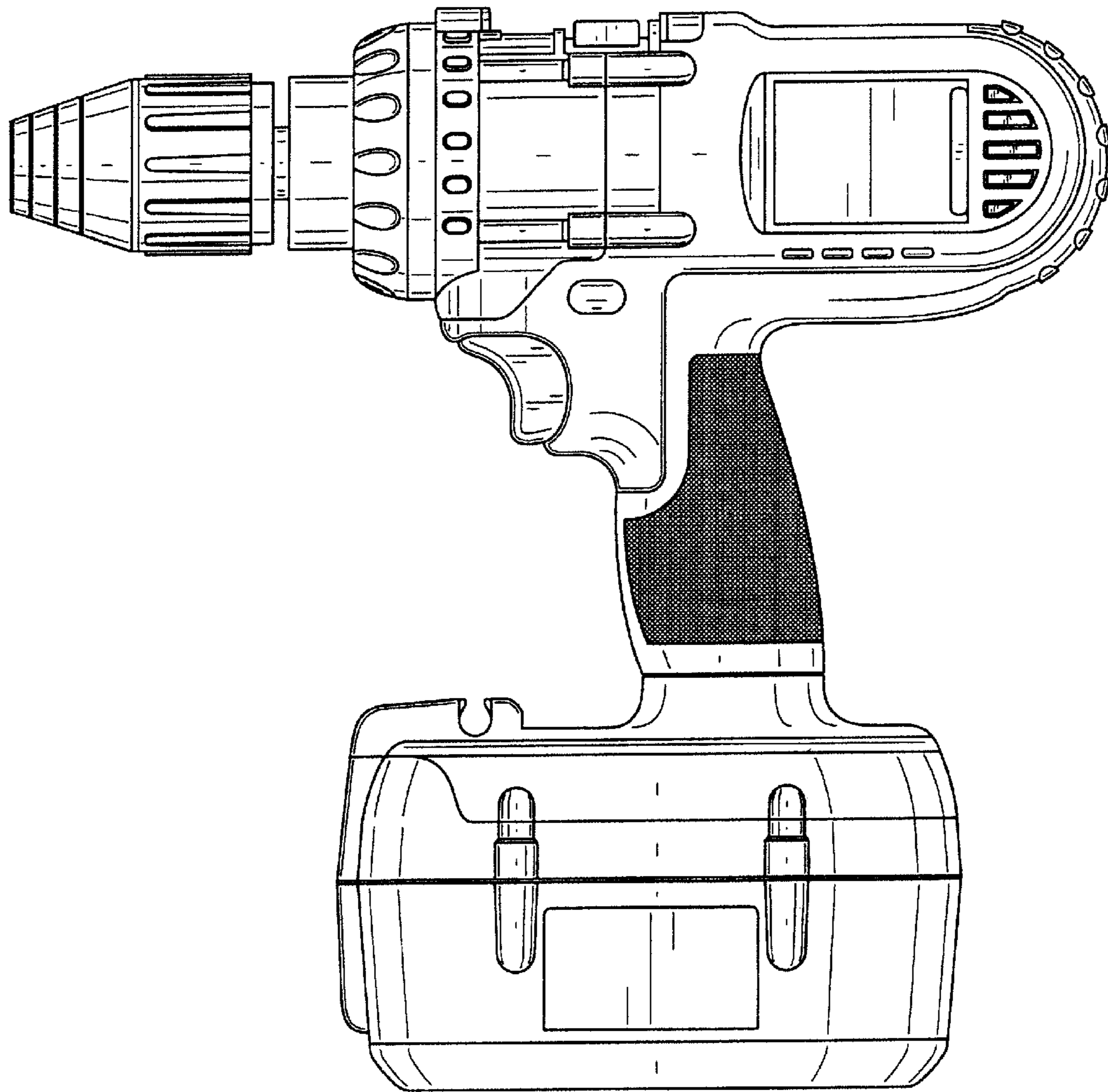


FIG. 5

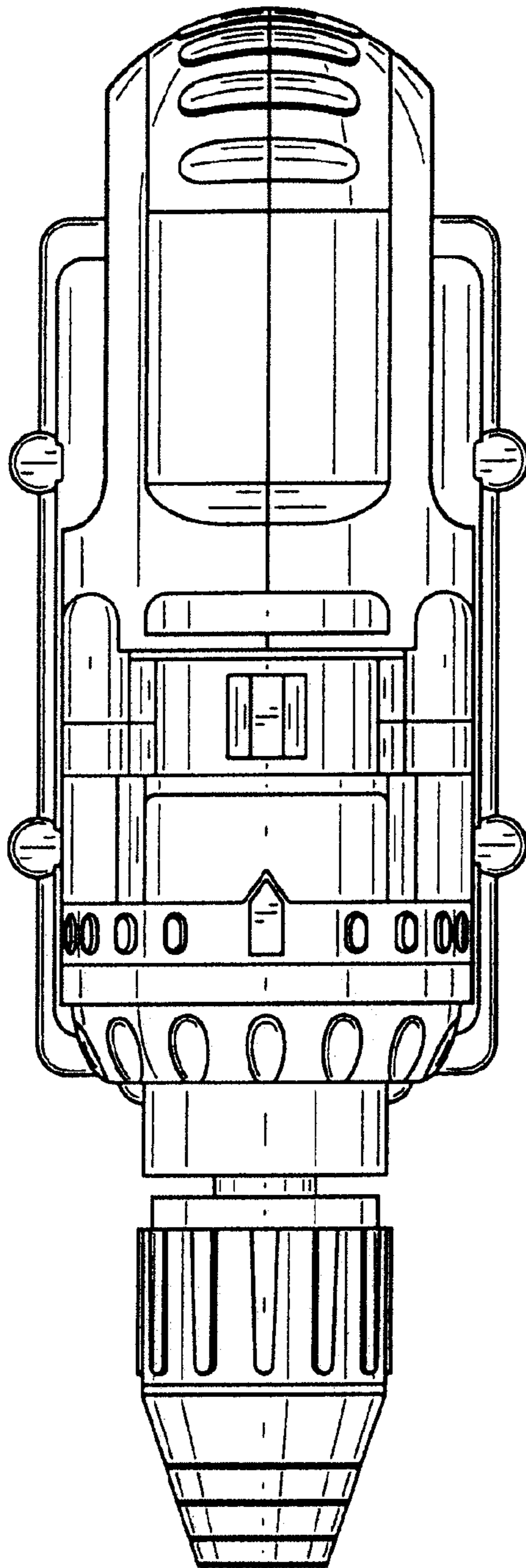


FIG. 6

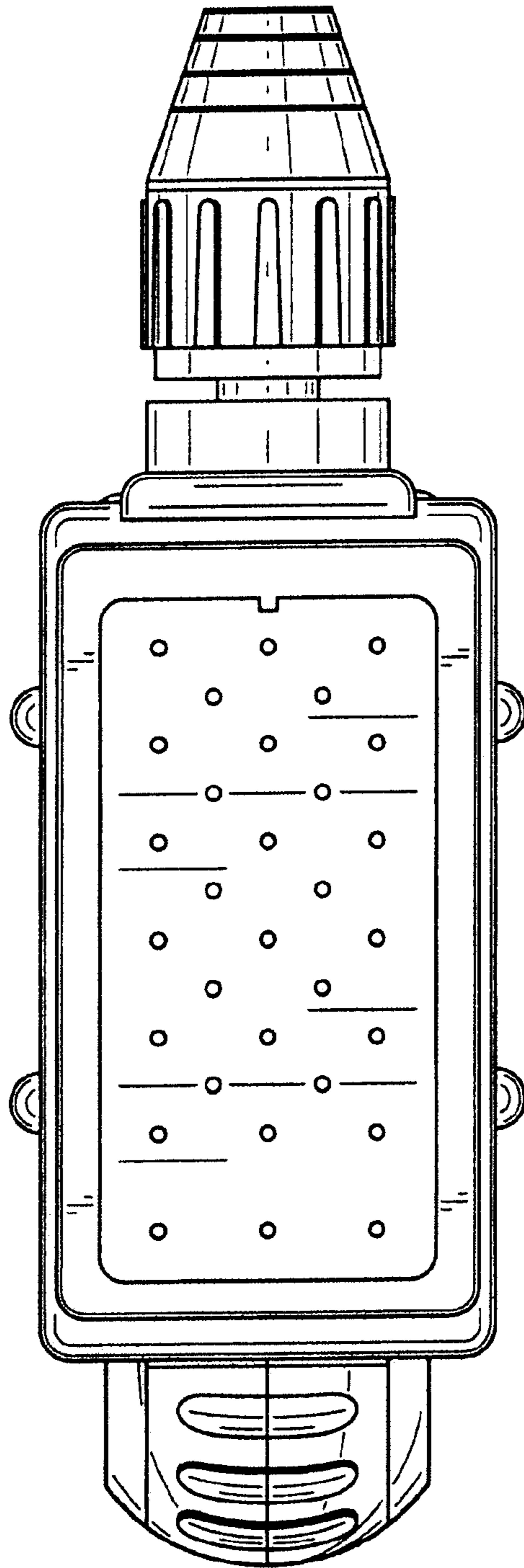


FIG. 7