



US00D543080S

(12) **United States Design Patent**
Haquin

(10) **Patent No.:** **US D543,080 S**

(45) **Date of Patent:** **** May 22, 2007**

(54) **SCISSORS**

(75) **Inventor:** **Jean-Claude Haquin**, Is-en-Bassigny (FR)

(73) **Assignee:** **JCH International, SARL**, Is-en-Bassigny (FR)

(**) **Term:** **14 Years**

(21) **Appl. No.:** **29/259,390**

(22) **Filed:** **May 8, 2006**

(30) **Foreign Application Priority Data**

Nov. 8, 2005 (FR) 05 5361

(51) **LOC (8) Cl.** **08-03**

(52) **U.S. Cl.** **D8/57**

(58) **Field of Classification Search** D8/4,
D8/5, 51, 52, 57, 107; D24/133, 147, 148;
D28/56, 57; 30/26, 28, 29, 131, 134, 135,
30/145, 146, 175, 194, 231, 232, 233, 254,
30/255, 256, 257, 260, 341, 355; 606/174
See application file for complete search history.

(56) **References Cited**

U.S. PATENT DOCUMENTS

- 29,250 A 7/1860 DeCoursey
- 116,432 A 6/1871 Gladwin
- D137,343 S * 2/1944 Schlesinger D8/57
- D137,344 S 2/1944 Schlesinger
- D137,345 S 2/1944 Schlesinger
- D183,391 S * 8/1958 Kaplan D8/53
- 3,680,210 A 8/1972 Steinman
- D231,186 S * 4/1974 Laurenti D8/57
- D247,606 S * 3/1978 Breger D8/57
- D258,714 S * 3/1981 Backstrom D8/57
- D259,852 S * 7/1981 Machida D8/57
- D277,450 S 2/1985 Hayashi
- D281,104 S * 10/1985 Davison D24/148
- 4,739,552 A 4/1988 Thomas
- D296,295 S 6/1988 Cain
- D308,736 S 6/1990 Pina
- 5,007,170 A 4/1991 Mayama
- 5,033,195 A 7/1991 Appelkvist et al.
- 5,097,599 A 3/1992 Hasegawa
- D326,165 S 5/1992 Leihe
- D329,792 S 9/1992 Chen

- D337,248 S 7/1993 Tanfoglio
- D337,249 S * 7/1993 Williams D8/57
- D368,418 S 4/1996 Aida
- 5,701,672 A 12/1997 Wachtel et al.
- 5,758,422 A * 6/1998 Frank 30/230
- D427,497 S * 7/2000 Yeh D8/57
- D459,642 S 7/2002 Haquin
- D461,109 S 8/2002 Kurz
- D489,844 S 5/2004 Merheje
- D494,321 S 8/2004 Haquin
- D497,690 S 10/2004 Haquin
- D507,947 S 8/2005 Haquin

FOREIGN PATENT DOCUMENTS

- FR 007138 3/2001
- FR 024494 12/2002
- FR 027673 3/2003
- FR 033477 11/2003
- FR 054876 12/2005

* cited by examiner

Primary Examiner—Alan P. Douglas
Assistant Examiner—Deanna Fluegeman
(74) *Attorney, Agent, or Firm*—Gary M. Cohen

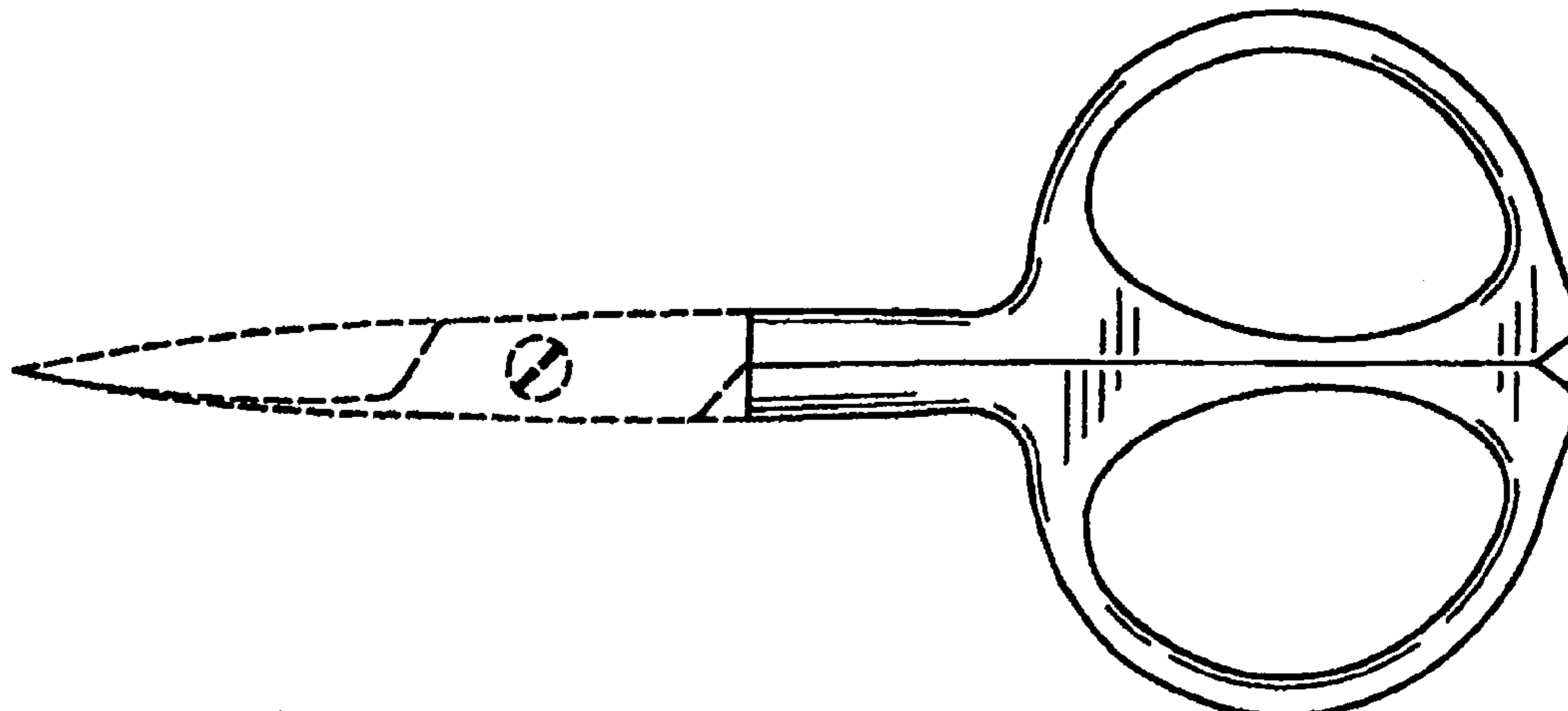
(57) **CLAIM**

The ornamental design for a scissors, as shown and described.

DESCRIPTION

FIG. 1 is a top view of the scissors of my new design;
FIG. 2 is a side view thereof;
FIG. 3 is a bottom view thereof;
FIG. 4 and FIG. 5 are opposing end views thereof;
FIG. 6 is an isometric view thereof, shown in an opened position;
FIG. 7 is a top view thereof, shown in an opened position;
and,
FIG. 8 is a bottom view thereof, shown in an opened position.
Portions of the drawings shown in broken lines are for illustrative purposes only and form no part of the claimed design.

1 Claim, 2 Drawing Sheets



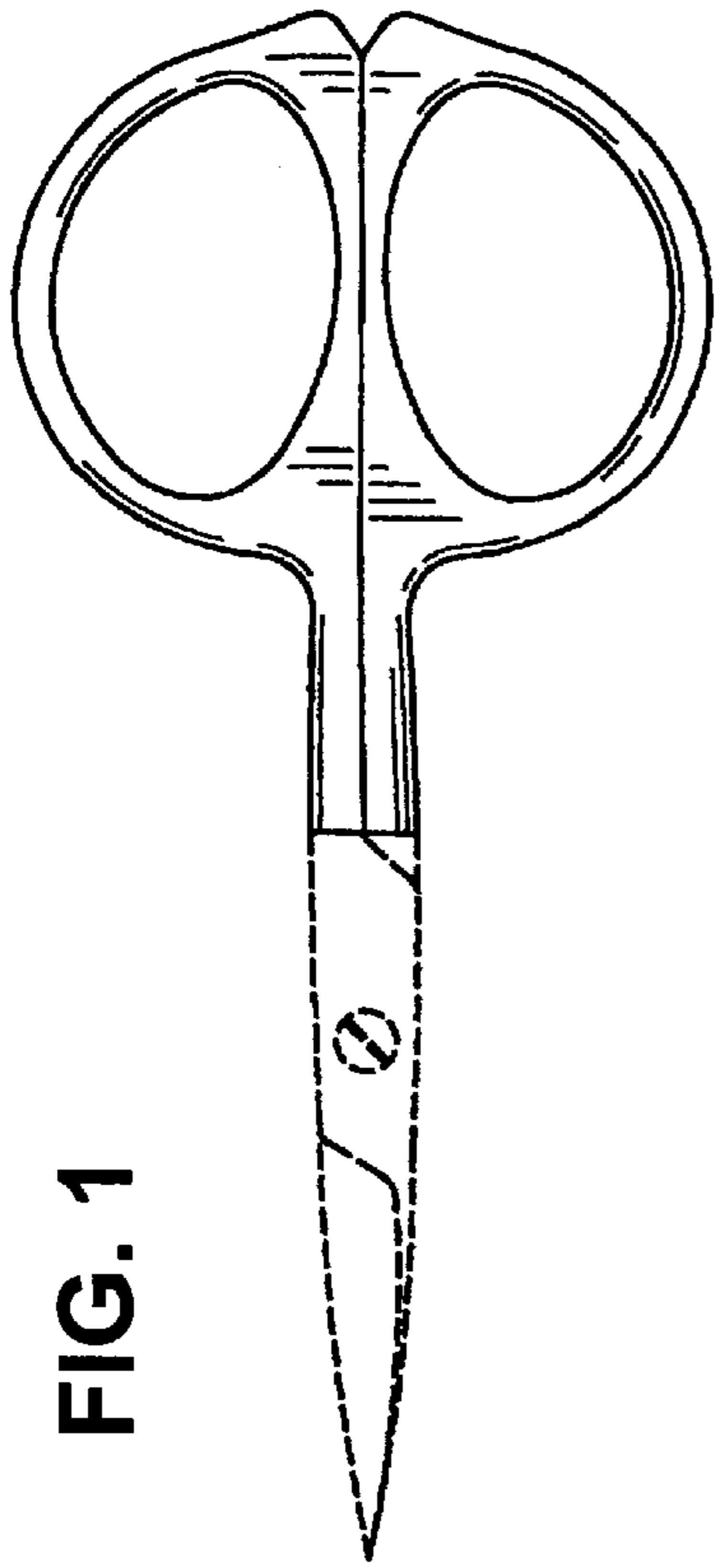


FIG. 1



FIG. 5



FIG. 2



FIG. 4

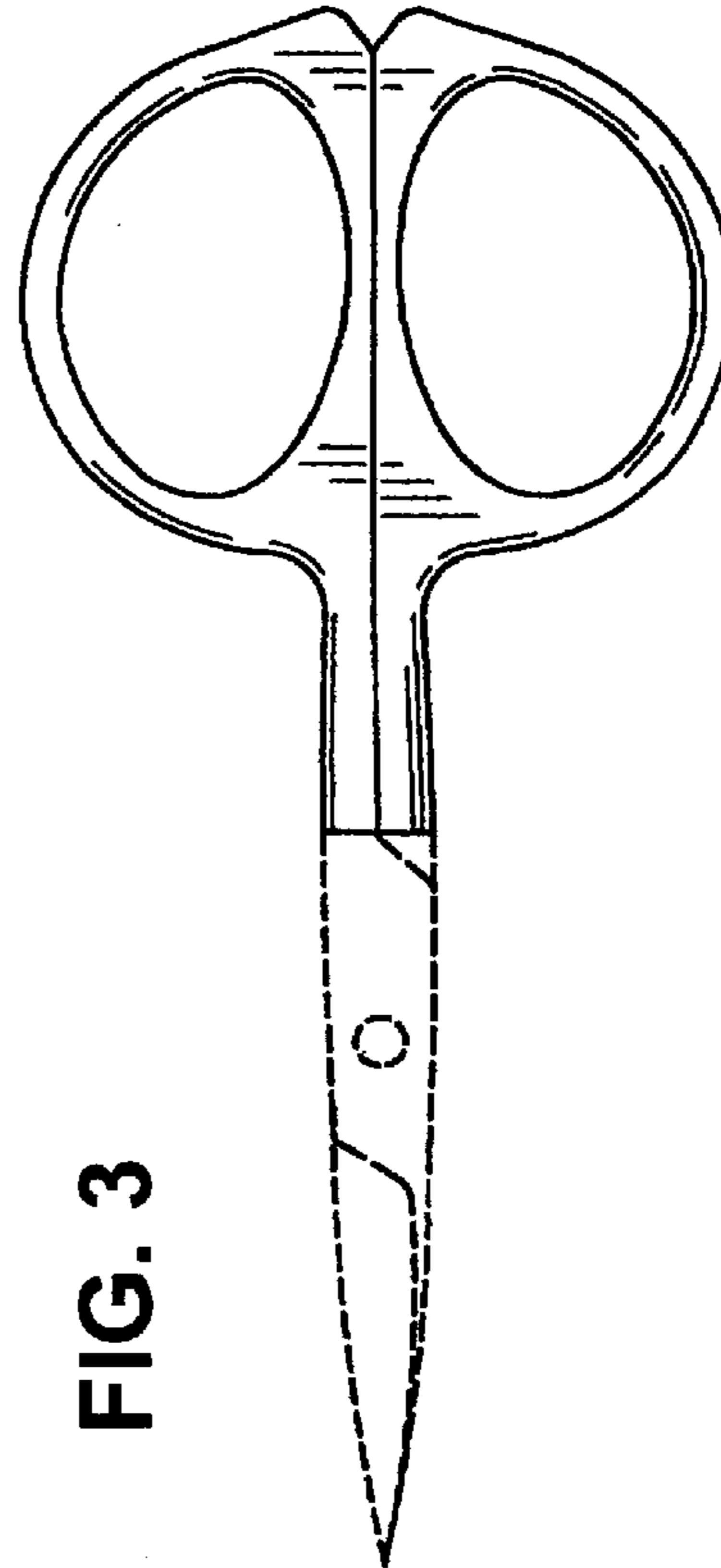


FIG. 3

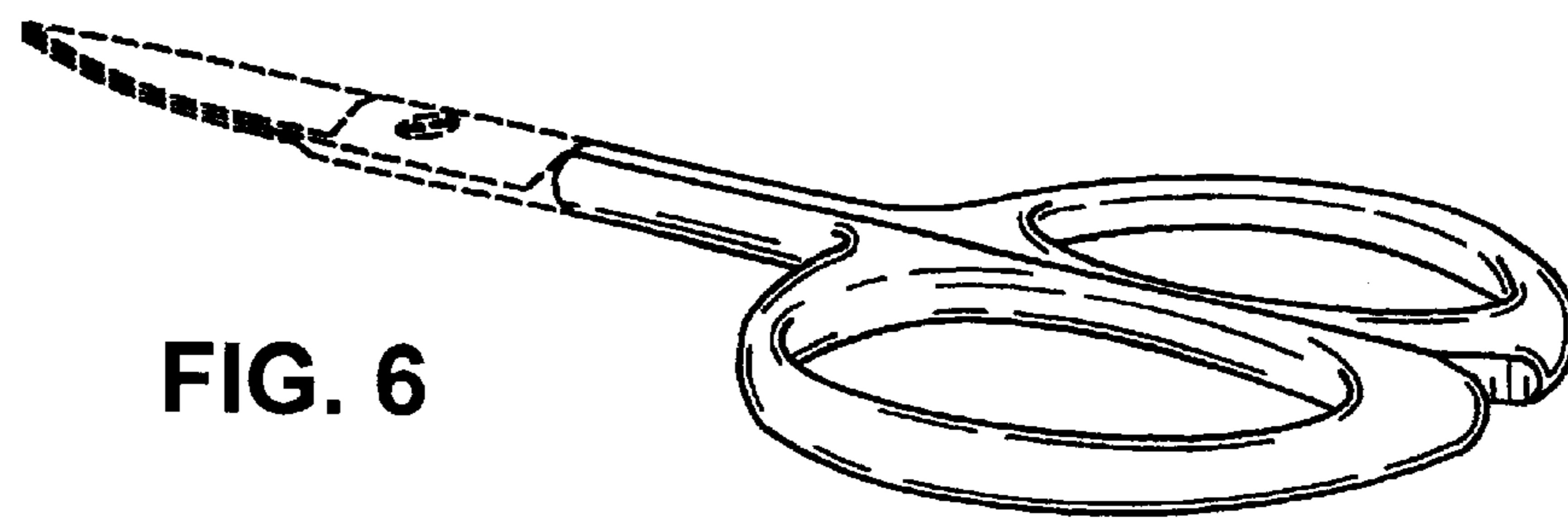


FIG. 6

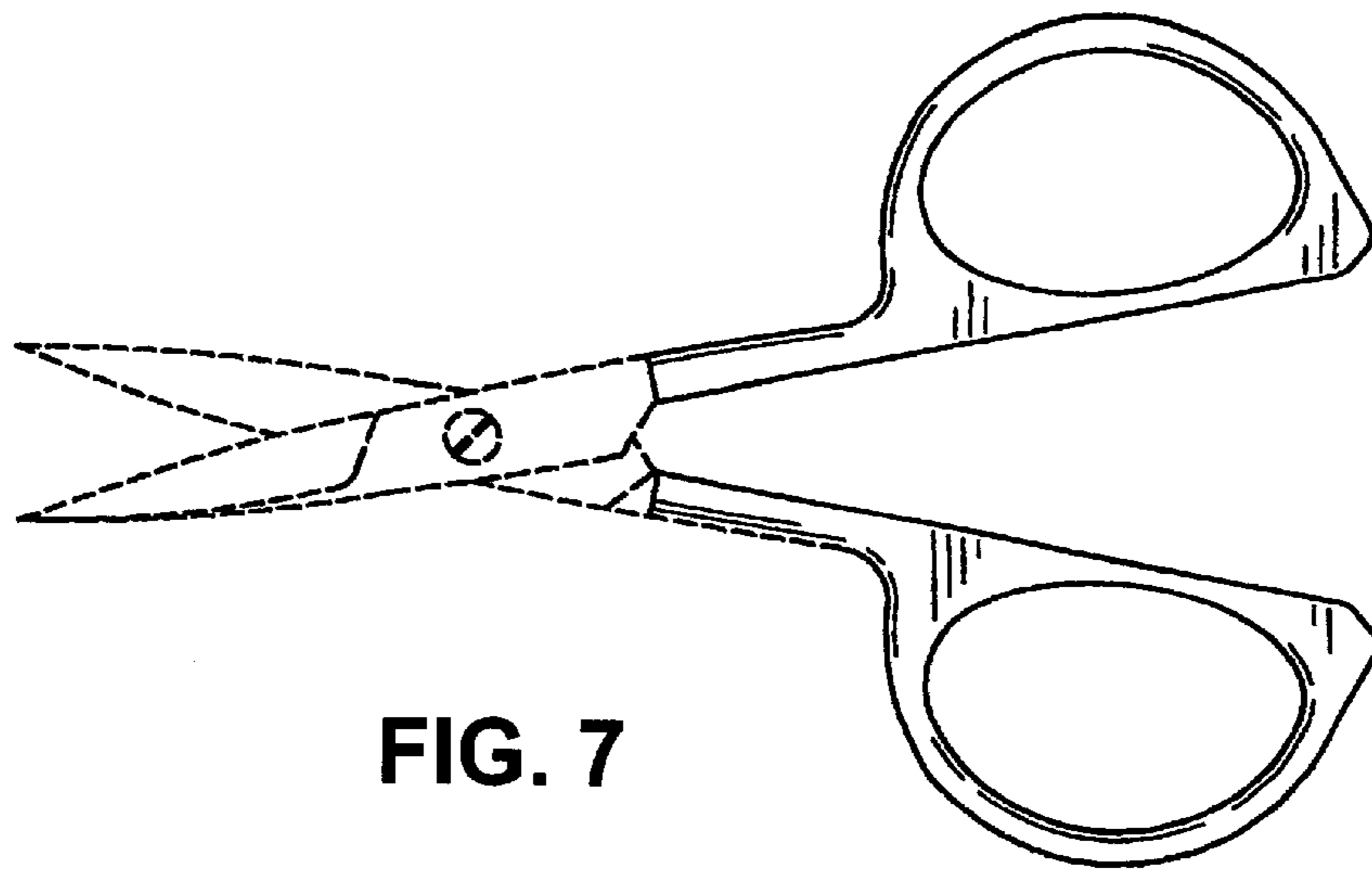


FIG. 7

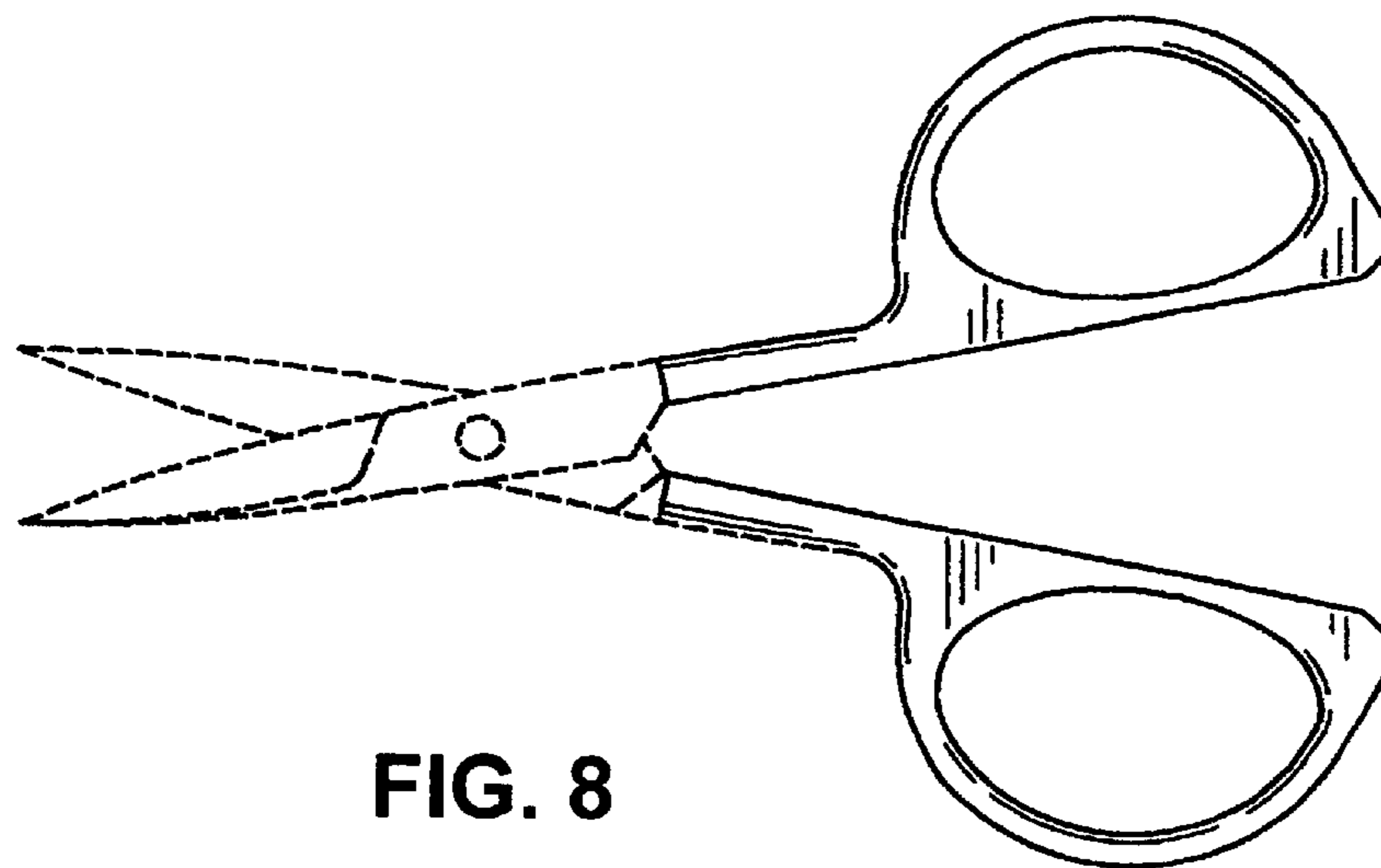


FIG. 8