

US00D543079S

(12) **United States Design Patent**
Sanchez et al.

(10) **Patent No.:** **US D543,079 S**

(45) **Date of Patent:** **** May 22, 2007**

(54) **WIRE CUTTER TOOL**

(76) Inventors: **Charlie G. Sanchez**, 27118 Stage
Coach Crossing Dr., Magnolia, TX (US)
77355; **Jason C. Sanchez**, 15867
Meadow Village Dr., Houston, TX (US)
77095

(**) **Term:** **14 Years**

(21) **Appl. No.:** **29/235,411**

(22) **Filed:** **Aug. 2, 2005**

(51) **LOC (8) Cl.** **08-05**

(52) **U.S. Cl.** **D8/52**

(58) **Field of Classification Search** D8/4,
D8/22, 51, 52, 54, 57, 107; 30/175, 193;
140/117, 118, 121, 124, 139; 81/129, 179,
81/186, 300, 302, 313, 314, 329, 337, 342,
81/346, 351, 355, 358, 385, 386, 393, 395,
81/397, 405, 407, 409, 411, 412, 413, 417,
81/418, 426, 427.5, 440

See application file for complete search history.

(56) **References Cited**

U.S. PATENT DOCUMENTS

24,464 A 6/1859 Jeffery
672,673 A * 4/1901 Hobbes et al. 81/416

1,069,106 A * 8/1913 Brice 81/324
D281,216 S 11/1985 Cutliffe, Jr. et al.
4,709,206 A * 11/1987 Edwards et al. 324/754
4,790,070 A * 12/1988 Olson 30/134
4,843,927 A * 7/1989 Gulistan 81/416
4,953,248 A 9/1990 Trombetta
D330,495 S * 10/1992 Cripe D8/52
5,575,029 A 11/1996 Simpson
5,636,398 A 6/1997 Fike
6,223,373 B1 5/2001 Yeh
6,574,847 B1 * 6/2003 Scroggins 81/302

* cited by examiner

Primary Examiner—Alan P. Douglas

Assistant Examiner—Deanna Fluegeman

(74) *Attorney, Agent, or Firm*—Lawrence J. Gibney, Jr.

(57) **CLAIM**

The ornamental design for wire cutter tool, as shown and described.

DESCRIPTION

FIG. 1 is a front view of the device.
FIG. 2 is a back view of the device.
FIG. 3 is a left side view of the device.
FIG. 4 is a right side view of the device.
FIG. 5 is a top view of the device; and,
FIG. 6 is a bottom view of the device.

1 Claim, 4 Drawing Sheets



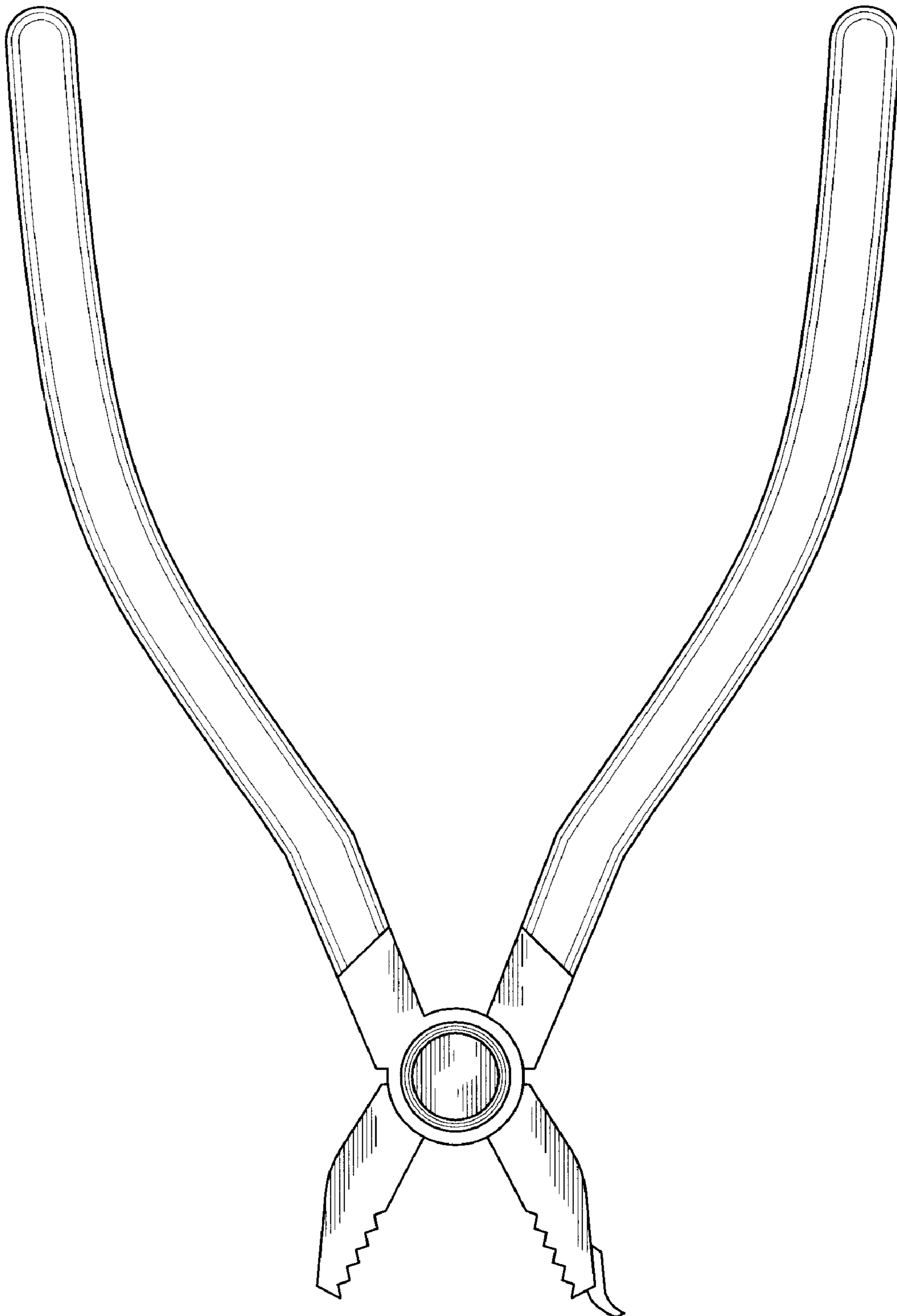


FIG. 1

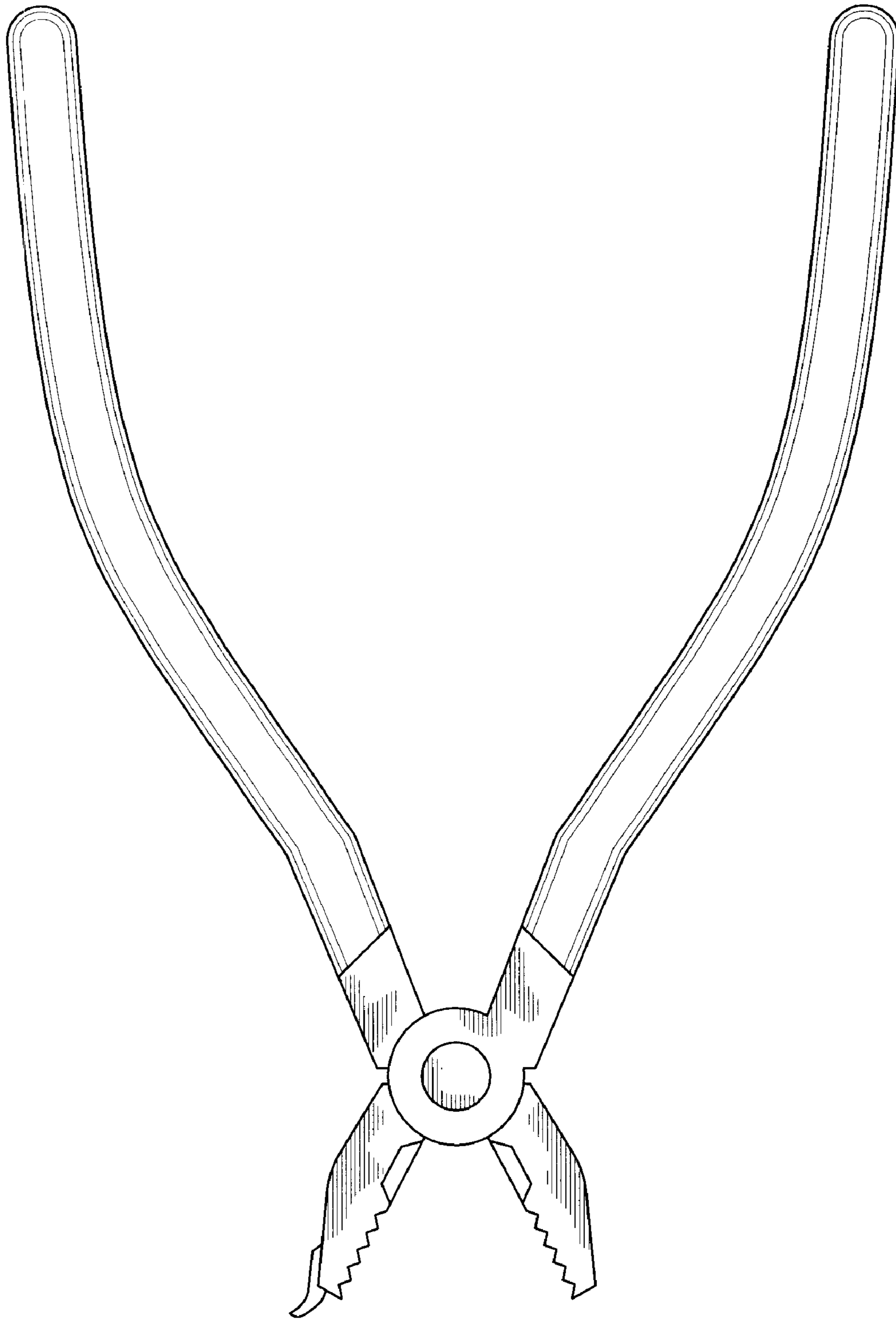


FIG.2

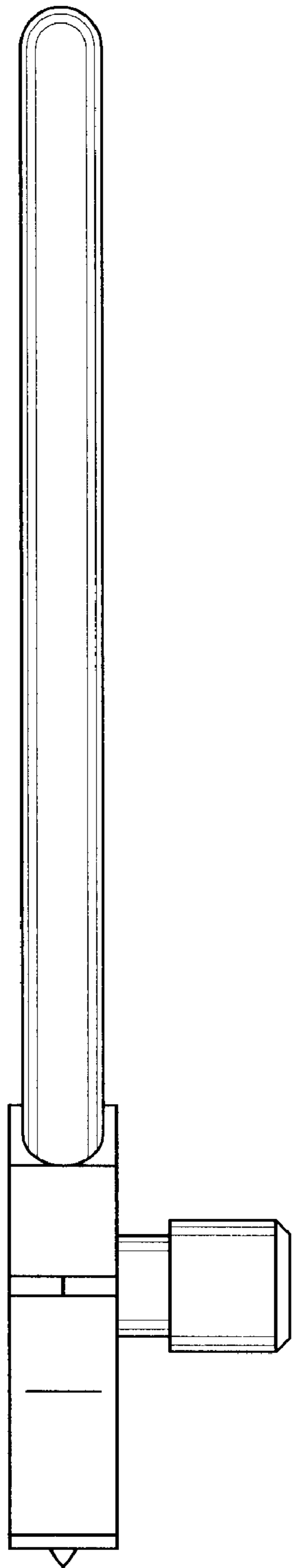


FIG. 3

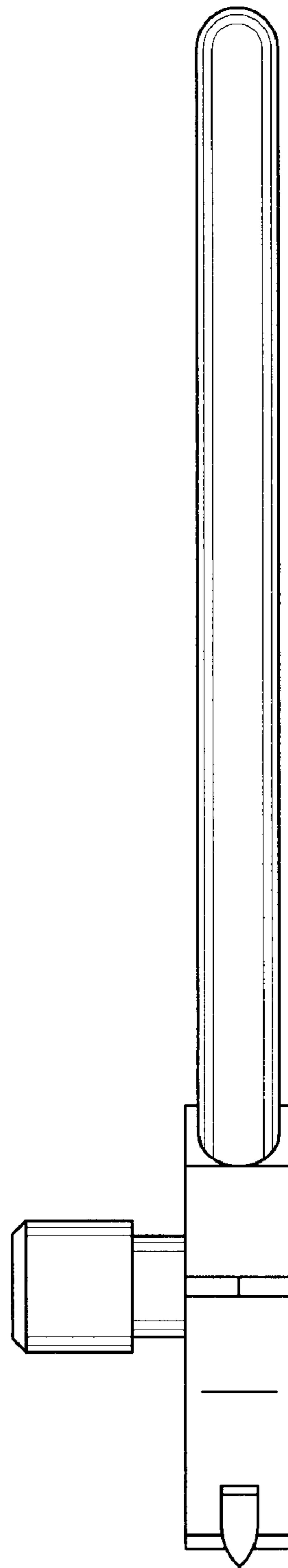


FIG. 4

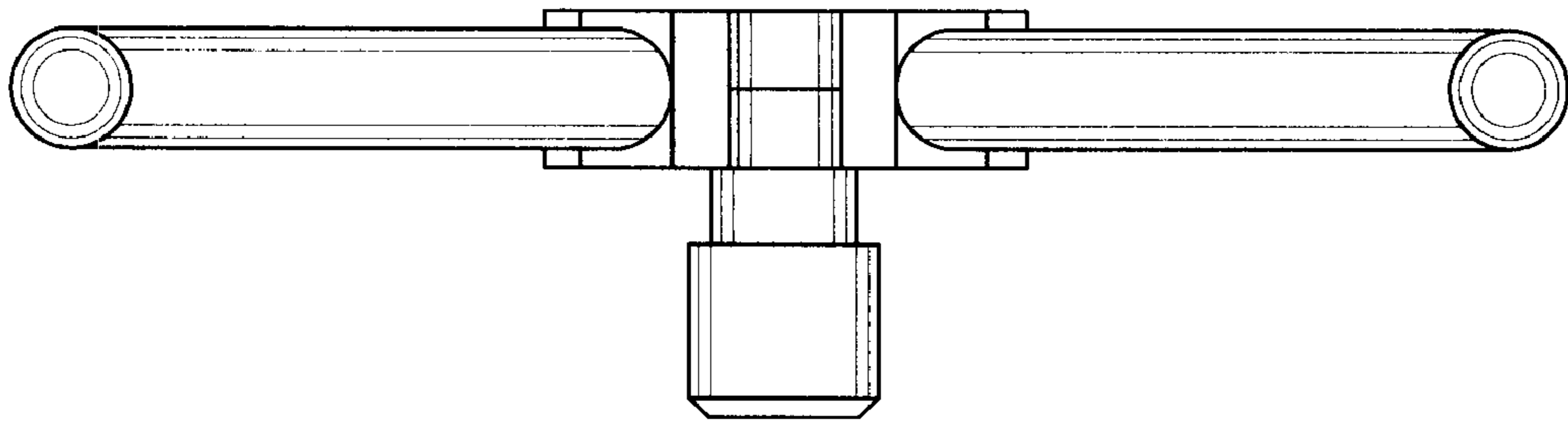


FIG. 5

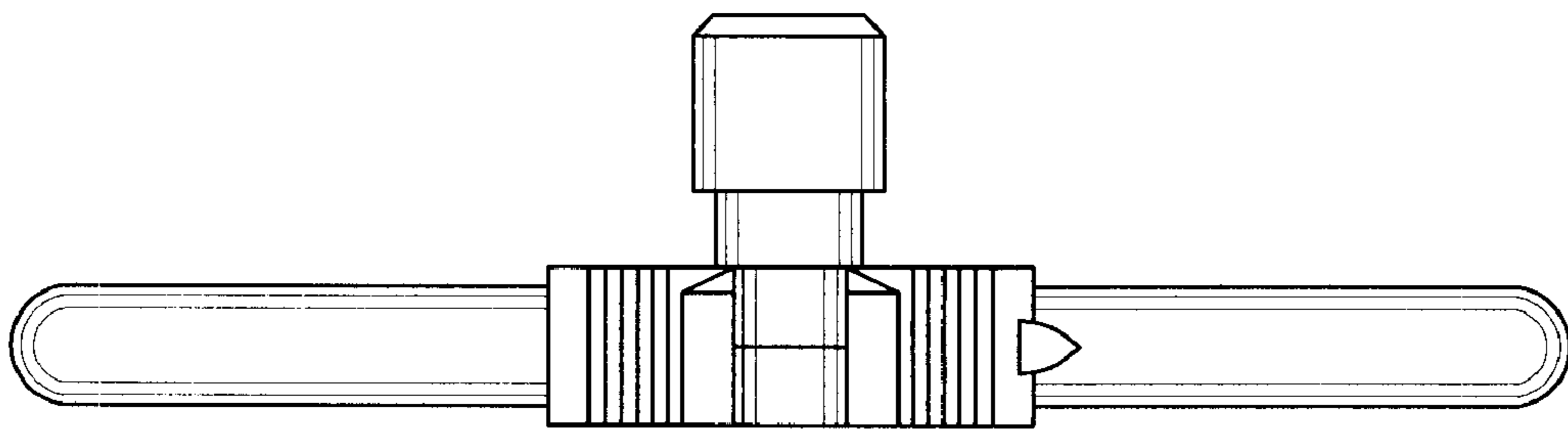


FIG. 6