



US00D543076S

(12) **United States Design Patent**  
**Ben-Shlomo et al.**

(10) **Patent No.:** **US D543,076 S**

(45) **Date of Patent:** **\*\* May 22, 2007**

(54) **HOLDER**

(75) Inventors: **Tal Eldar Ben-Shlomo**,  
Ramat-Hasharon (IL); **Itamar Burstein**,  
Tel Aviv (IL)

(73) Assignees: **Golden G.T., LLC**, Chicago, IL (US);  
**Shlomo Ben-David**, Chicago, IL (US)

(\*\*) **Term:** **14 Years**

(21) **Appl. No.:** **29/253,583**

(22) **Filed:** **Feb. 9, 2006**

(51) **LOC (8) Cl.** ..... **07-06**

(52) **U.S. Cl.** ..... **D7/600.1; D7/701; D14/230**

(58) **Field of Classification Search** ..... **D7/600,**  
**D7/601, 600.1-600.4, 701-708; D14/230,**  
**D14/231, 233, 240; 211/74, 75**

See application file for complete search history.

(56) **References Cited**

U.S. PATENT DOCUMENTS

4,378,889 A \* 4/1983 Lebowitz ..... 211/75

D401,595 S \* 11/1998 Guttadauro ..... D14/230  
D447,916 S \* 9/2001 Bodum ..... D7/600  
D501,643 S \* 2/2005 Strand et al. .... D14/240

\* cited by examiner

*Primary Examiner*—Terry A. Wallace

(74) *Attorney, Agent, or Firm*—Pearl Cohen Zedek Latzer,  
LLP

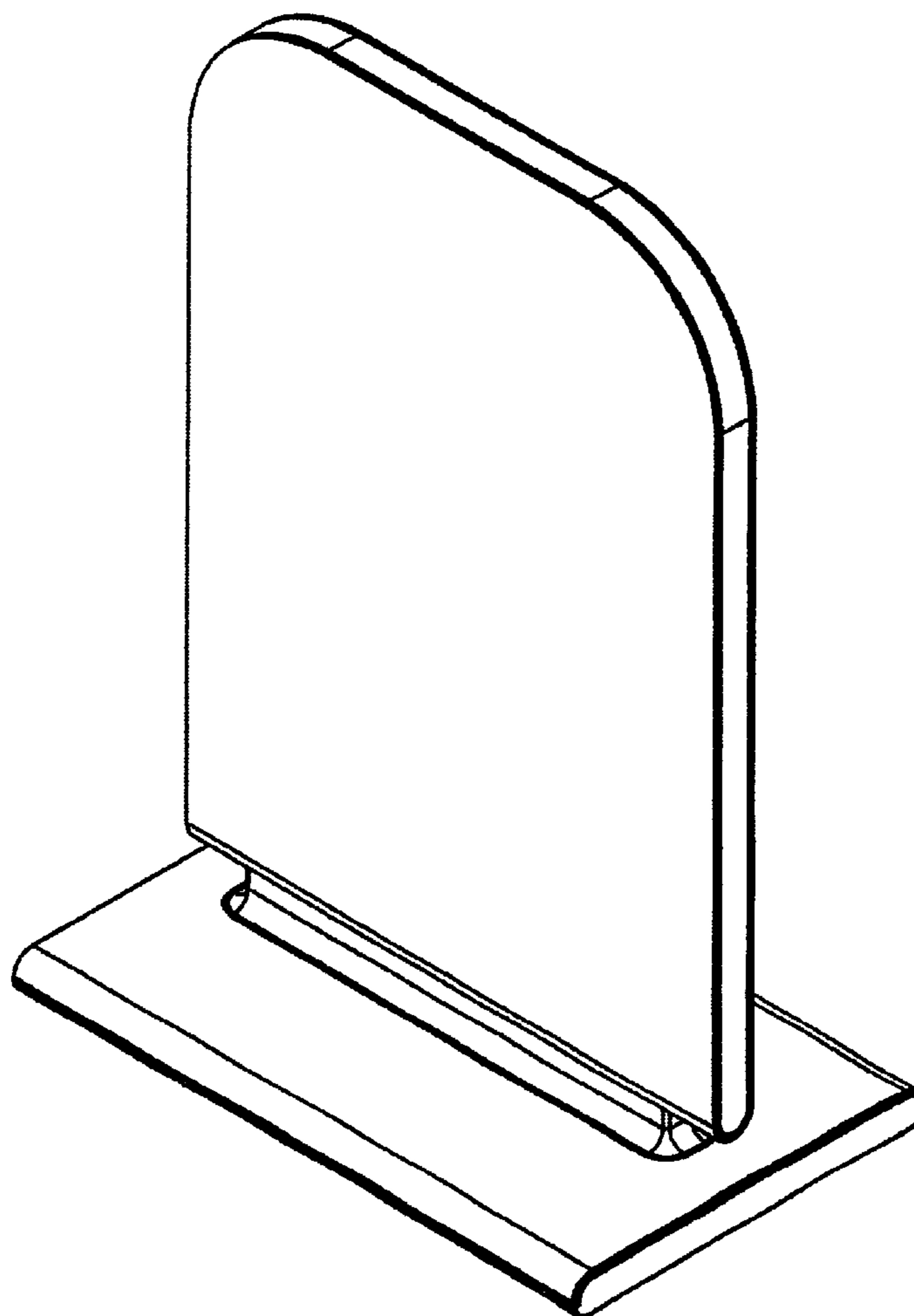
(57) **CLAIM**

The ornamental design for a holder, as shown and described.

**DESCRIPTION**

FIG. 1 is a perspective view of the holder;  
FIG. 2 is a side view of the holder shown in FIG. 1, the other  
side being identical; and  
FIG. 3 is a front view of the holder shown in FIG. 1, the rear  
view being identical;  
FIG. 4 is a top view of the holder shown in FIG. 1; and,  
FIG. 5 is a bottom view of the holder shown in FIG. 1.

**1 Claim, 5 Drawing Sheets**



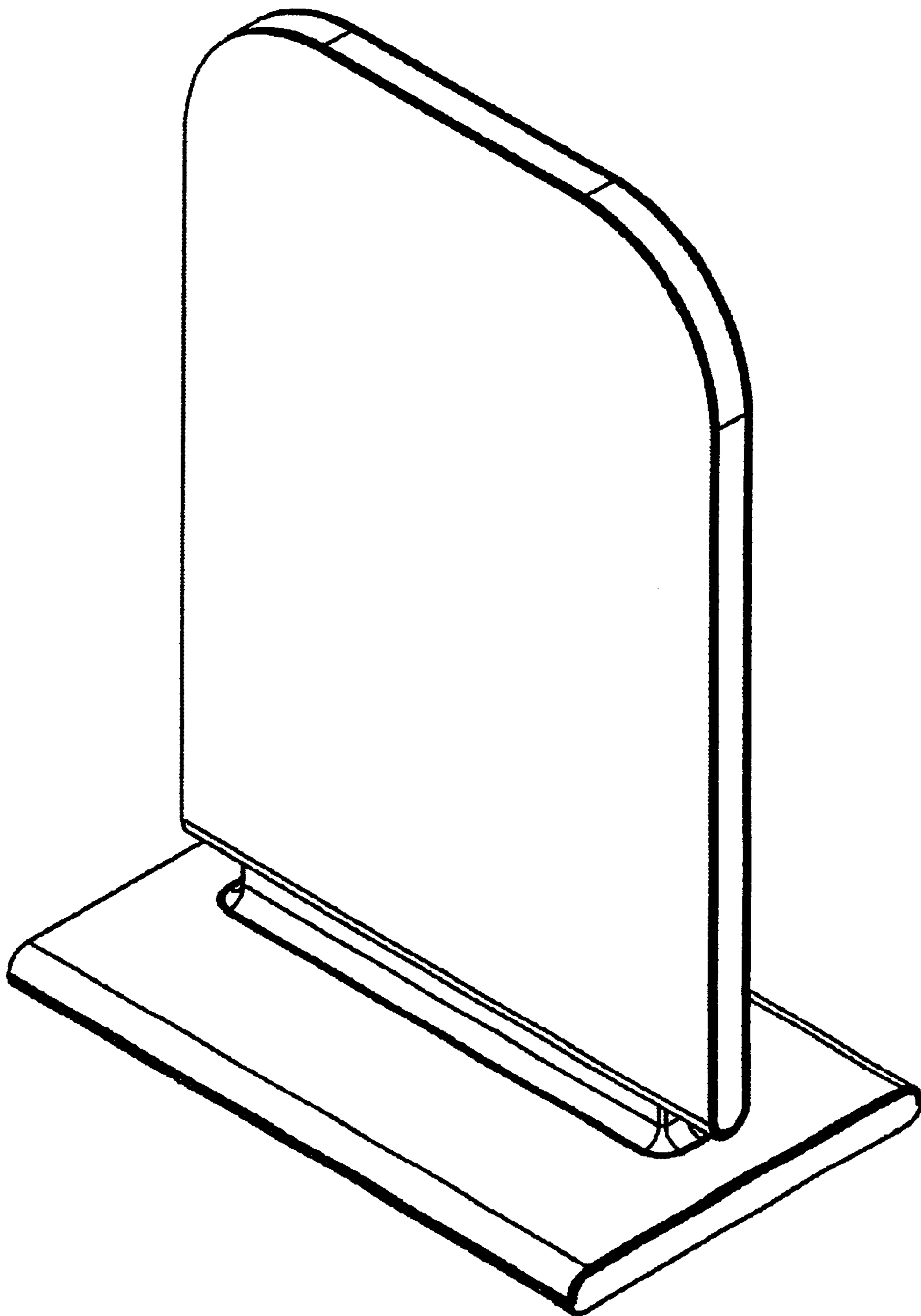


Fig. 1

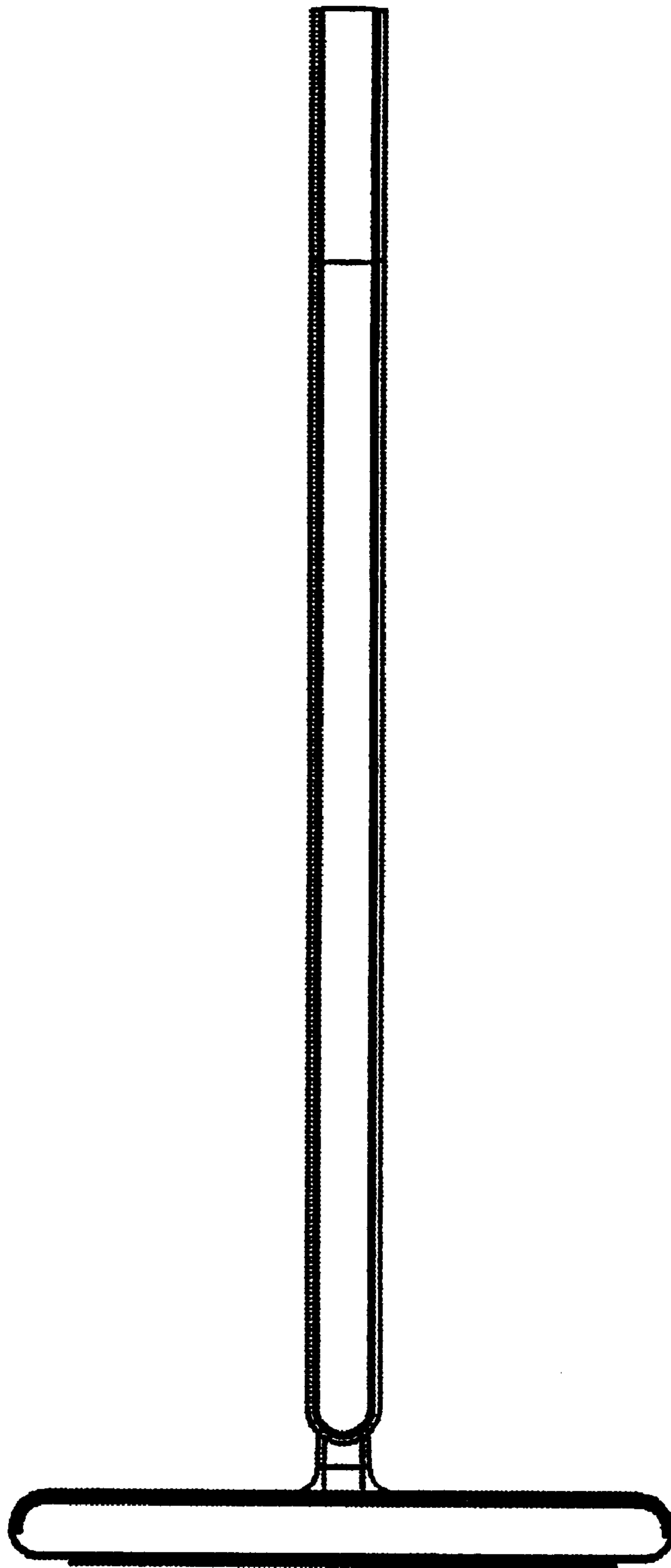


Fig. 2

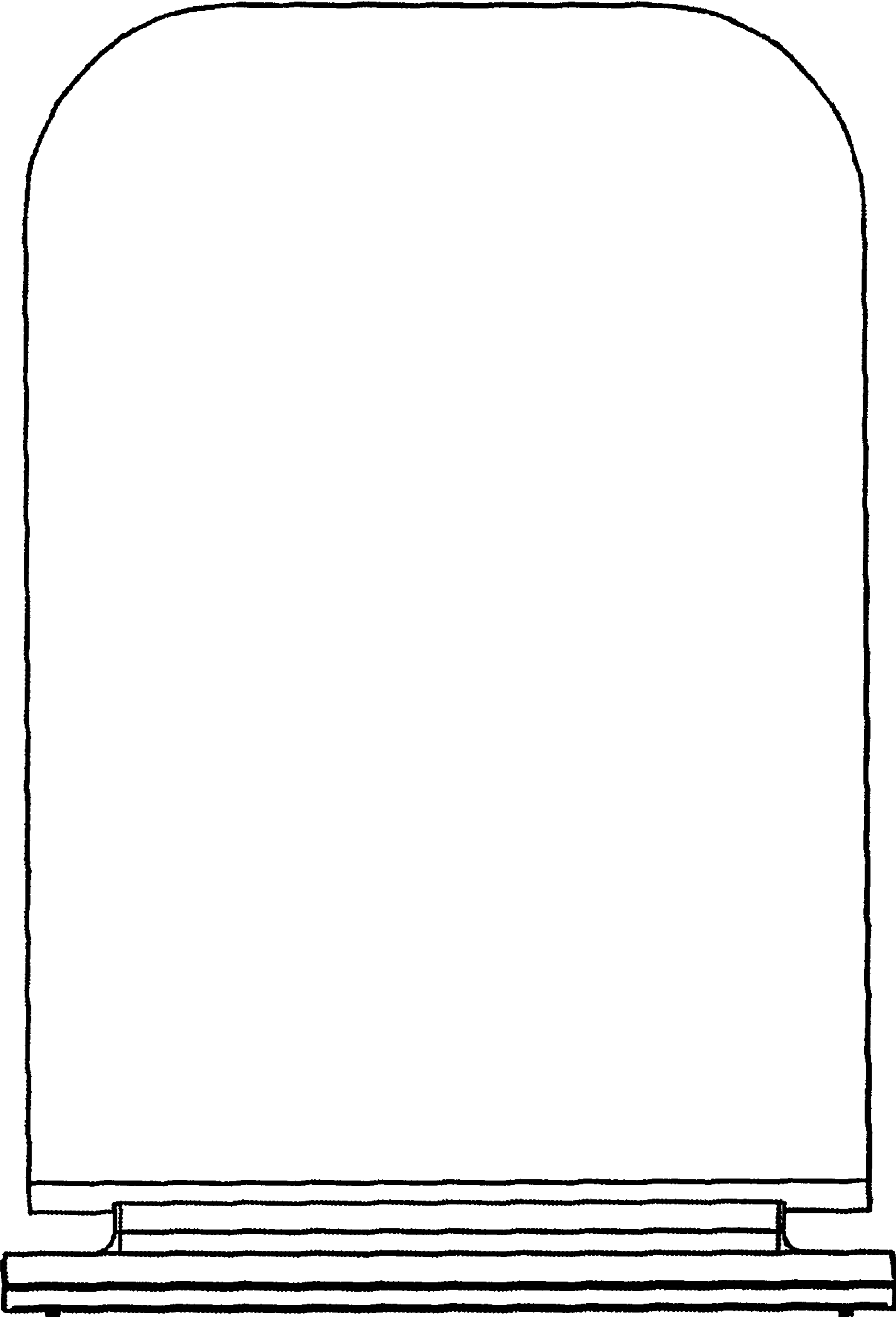


Fig. 3

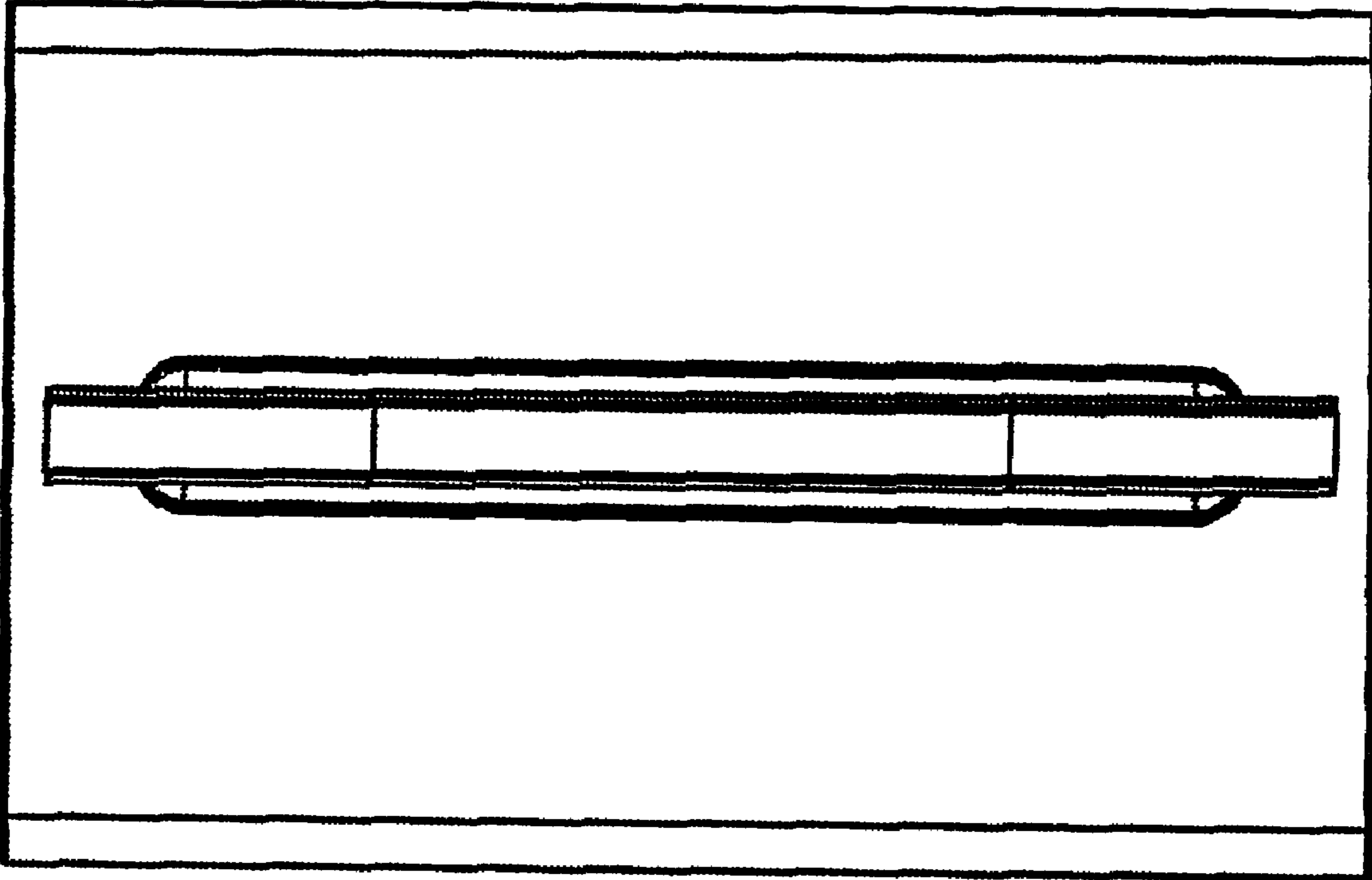


Fig. 4

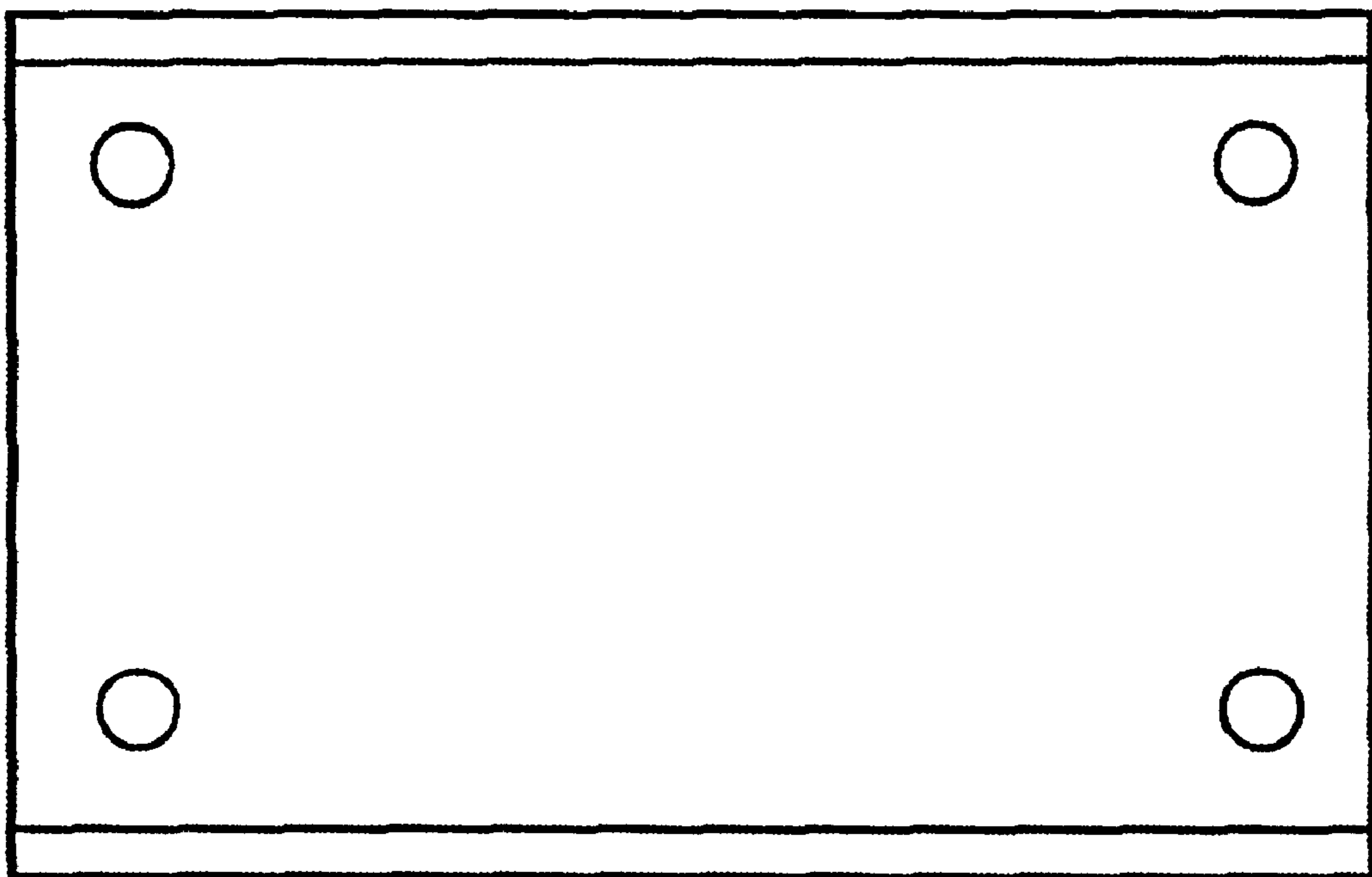


Fig. 5