

US00D543066S

(12) **United States Design Patent**
Ohno

(10) **Patent No.:** **US D543,066 S**

(45) **Date of Patent:** **** May 22, 2007**

(54) **PILLOW**

(76) Inventor: **Yukio Ohno**, 208 Esuto Minamisaya
6-6-15, Kuukou-dori, Matsuyama-shi,
Ehime-ken (JP)

(**) Term: **14 Years**

(21) Appl. No.: **29/229,049**

(22) Filed: **May 3, 2005**

(30) **Foreign Application Priority Data**

Dec. 15, 2004 (JP) 2004-040613

(51) **LOC (8) Cl.** **06-09**

(52) **U.S. Cl.** **D6/601**

(58) **Field of Classification Search** D6/595,
D6/596, 601, 604, 606; 5/622, 630, 636,
5/637, 639, 640, 644, 645, 657.5; 297/220,
297/294.5, 394, 397; 602/18; 248/118.5;
D24/215; D21/685; D28/63; 482/121

See application file for complete search history.

(56) **References Cited**

U.S. PATENT DOCUMENTS

- 2,013,481 A * 9/1935 Stonehill 5/640
- 3,279,849 A * 10/1966 Radke et al. 297/284.5
- 5,015,036 A * 5/1991 Fergie 297/397
- D326,931 S * 6/1992 Tomsick D28/63
- D369,391 S * 4/1996 Jump, Jr. D21/685

- 5,572,757 A * 11/1996 O'Sullivan 5/636
- D382,164 S * 8/1997 Hays D6/601
- 5,755,647 A * 5/1998 Watnik 482/121
- D406,486 S * 3/1999 Ogilvie D6/596
- 6,484,335 B2 * 11/2002 Gilbert 5/636

* cited by examiner

Primary Examiner—Caron D. Veynar

Assistant Examiner—Mary Ann Calabrese

(74) *Attorney, Agent, or Firm*—Day Pitney LLP

(57) **CLAIM**

The ornamental design for a pillow, as shown and described.

DESCRIPTION

FIG. 1 is a front view of the pillow embodying my ornamental design;

FIG. 2 is a rear view thereof;

FIG. 3 is a top plan view thereof, the bottom plan view being identical therewith;

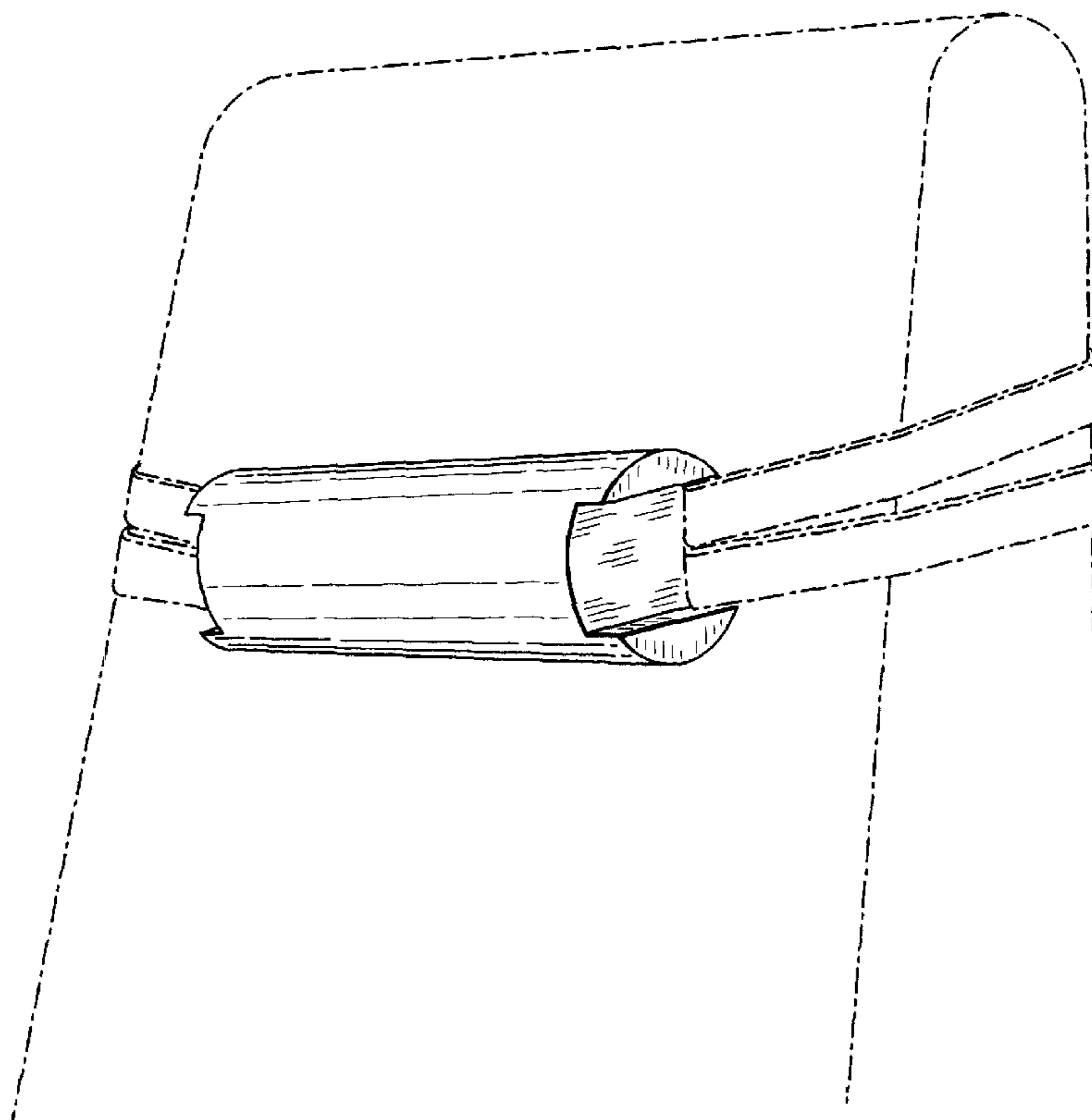
FIG. 4 is a left side view thereof, the right side view being identical therewith; and,

FIG. 5 is an environmental perspective view depicting the pillow in position strapped to a headrest of an associated seat.

The broken line showing of a chair is for illustrative purposes only and forms no part of the claimed design.

In the drawings, the broken lines represent environmental structure forming no part of the claim.

1 Claim, 2 Drawing Sheets



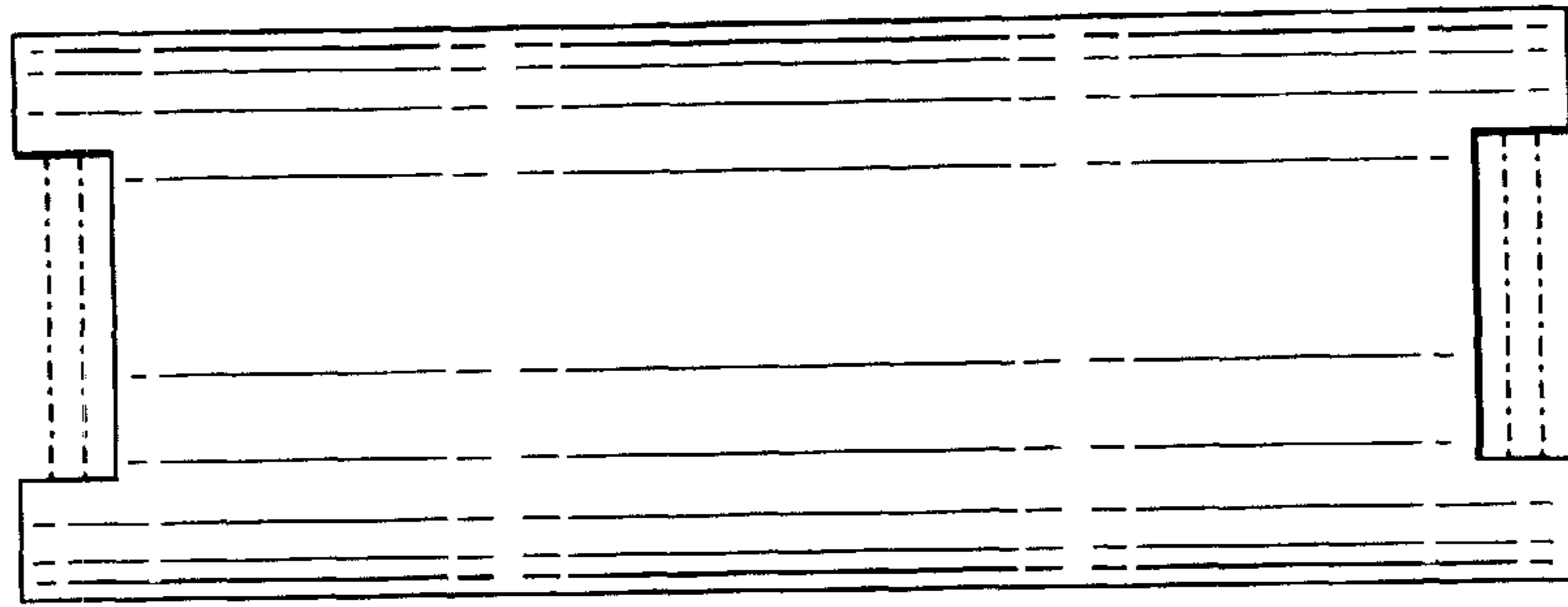


FIG. 1

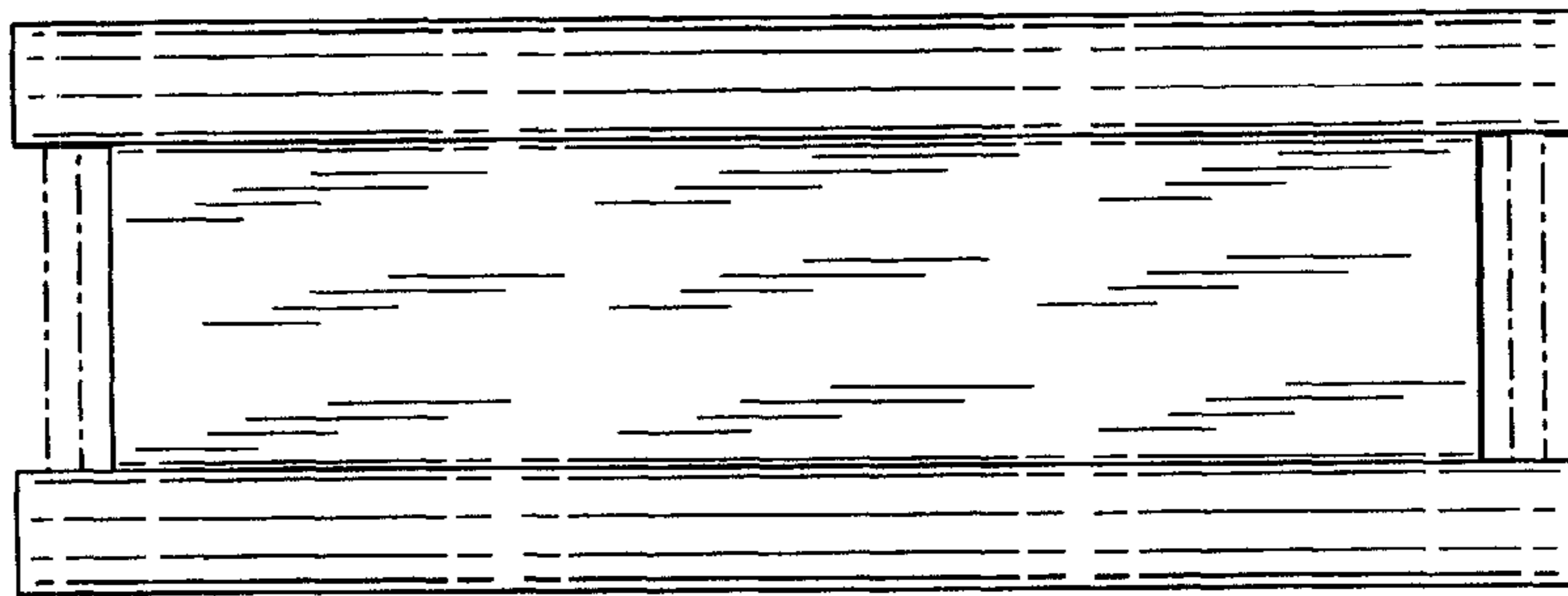


FIG. 2

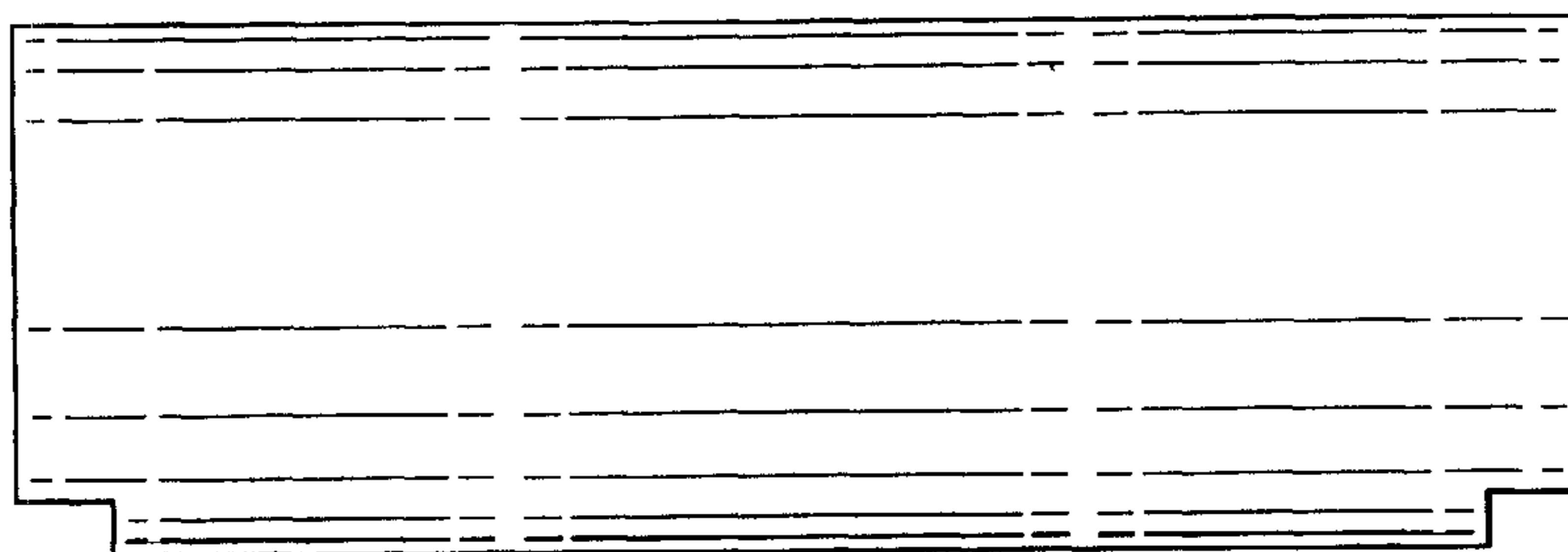


FIG. 3

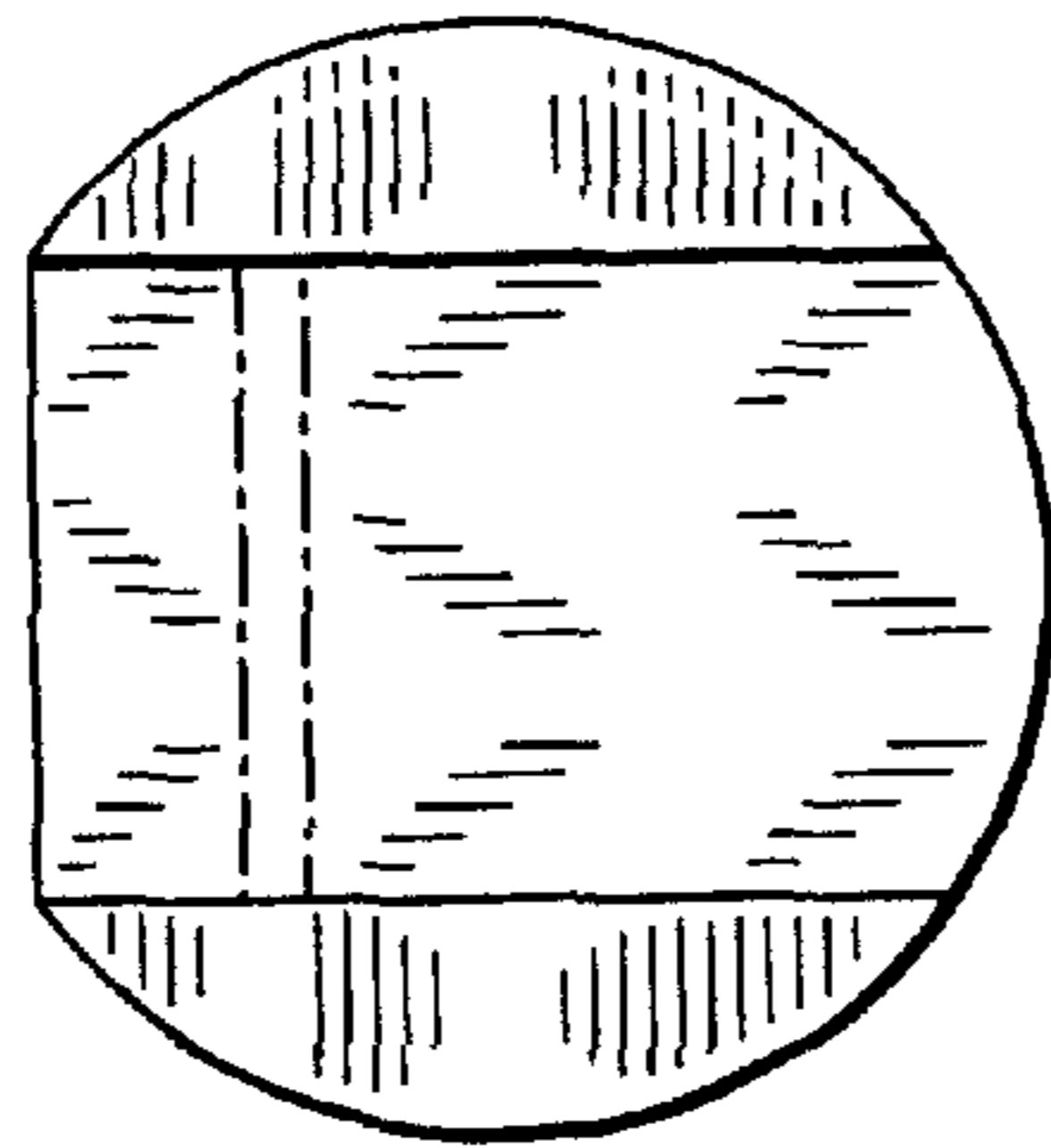


FIG. 4

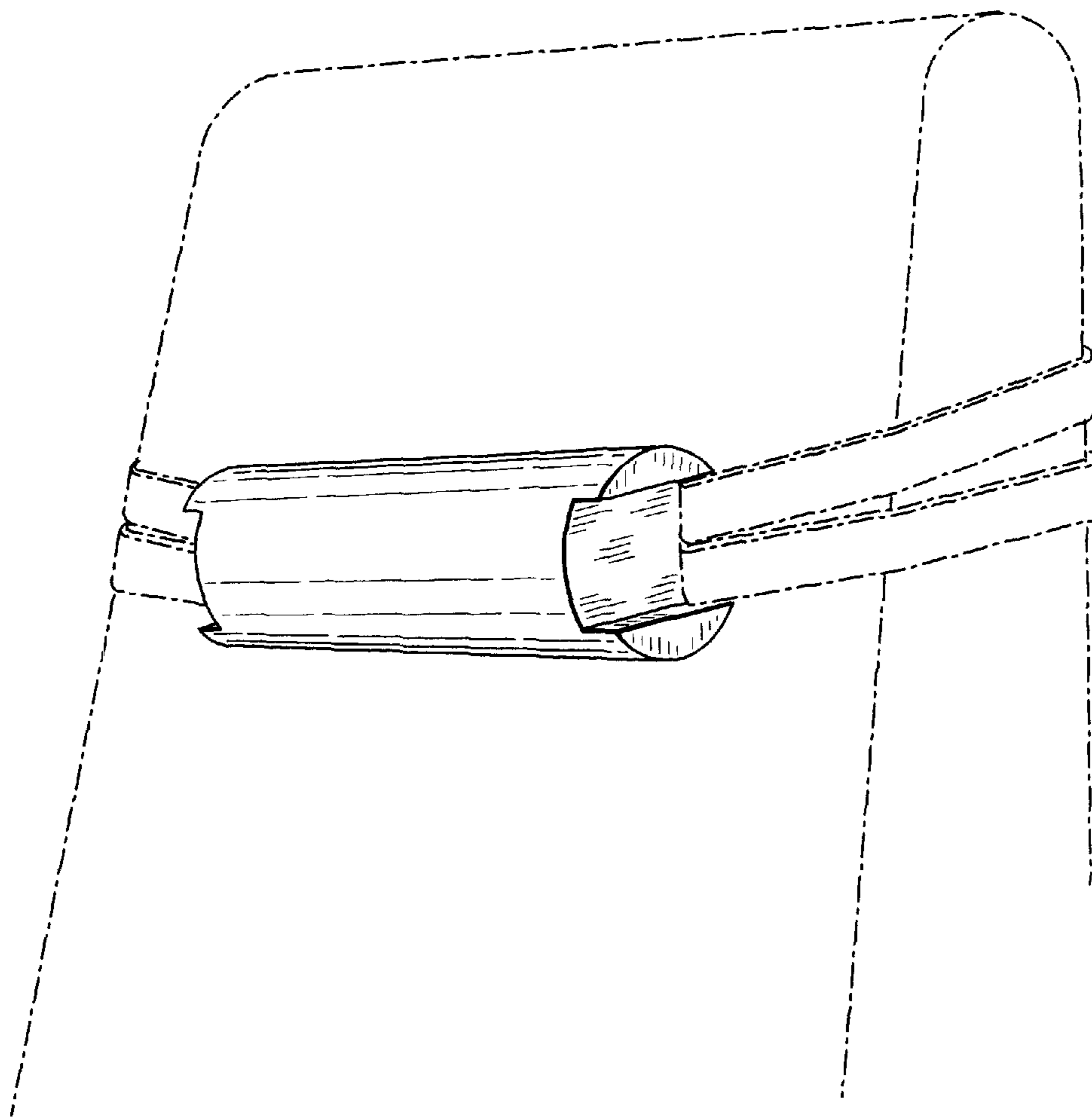


FIG. 5