

US00D543064S

(12) **United States Design Patent**  
**Hale**

(10) **Patent No.:** **US D543,064 S**

(45) **Date of Patent:** **\*\* May 22, 2007**

(54) **MATTRESS**

(76) **Inventor:** **Nancy K. Hale**, 1115 Cody St.,  
Evansville, Konderburgh County, IN  
(US) 47701

(\*\*) **Term:** **14 Years**

(21) **Appl. No.:** **29/237,893**

(22) **Filed:** **Sep. 7, 2005**

(51) **LOC (8) Cl.** ..... **06-09**

(52) **U.S. Cl.** ..... **D6/596**

(58) **Field of Classification Search** ..... D6/595,  
D6/596, 601, 602, 604, 605; 5/600, 613,  
5/630, 632, 633, 642, 643, 652, 655.3, 655.5,  
5/731, 902; D24/183; D25/113; 443/33; 297/452.16,  
297/452.41; 128/845

See application file for complete search history.

(56) **References Cited**

**U.S. PATENT DOCUMENTS**

2,940,087 A \* 6/1960 Kiefer ..... 5/642  
3,139,631 A \* 7/1964 Kiefer ..... 5/643  
3,143,803 A \* 8/1964 Lunn ..... 433/33

4,484,781 A \* 11/1984 Phelps ..... 297/452.41  
5,815,862 A \* 10/1998 Rygiel ..... 5/632  
6,334,442 B1 \* 1/2002 Altamura ..... 128/845  
D487,553 S \* 3/2004 Morikawa ..... D6/601  
6,823,545 B1 \* 11/2004 Davis ..... 5/630  
D502,350 S \* 3/2005 O'Reagan ..... D6/596  
D515,709 S \* 2/2006 Charon ..... D25/113  
D521,301 S \* 5/2006 Dickson ..... D6/601  
2003/0038523 A1 \* 2/2003 Sands ..... 297/452.16

\* cited by examiner

*Primary Examiner*—Robert M. Spear

*Assistant Examiner*—Mary Ann Calabrese

(74) *Attorney, Agent, or Firm*—Gary K. Price, Esq.

(57) **CLAIM**

The ornamental design for a mattress, as shown and described.

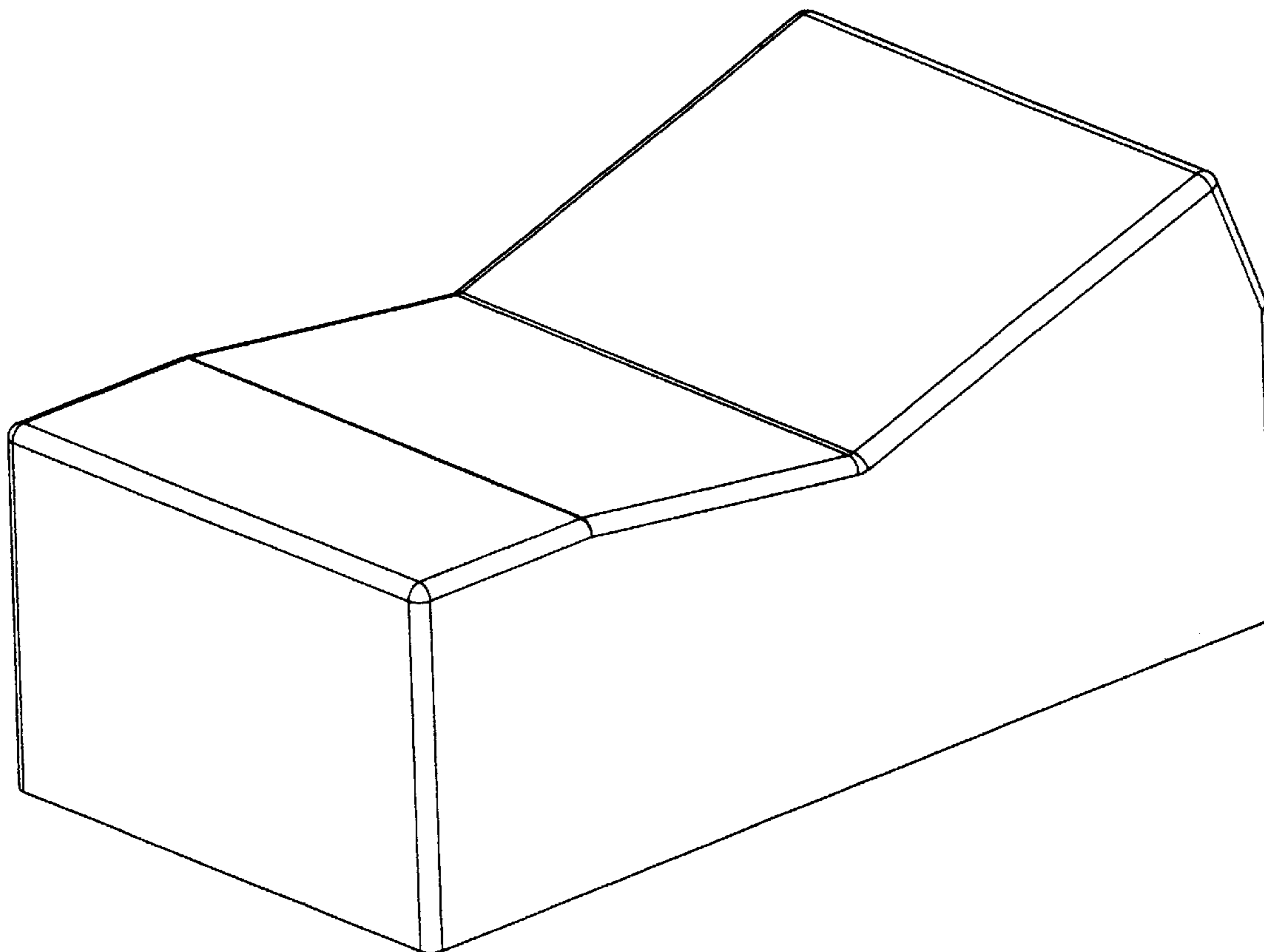
**DESCRIPTION**

FIG. 1 is a perspective view of a mattress showing my own design.

FIG. 2 is a top plan view of my mattress design; and,

FIG. 3 is a side view of my mattress design.

**1 Claim, 2 Drawing Sheets**



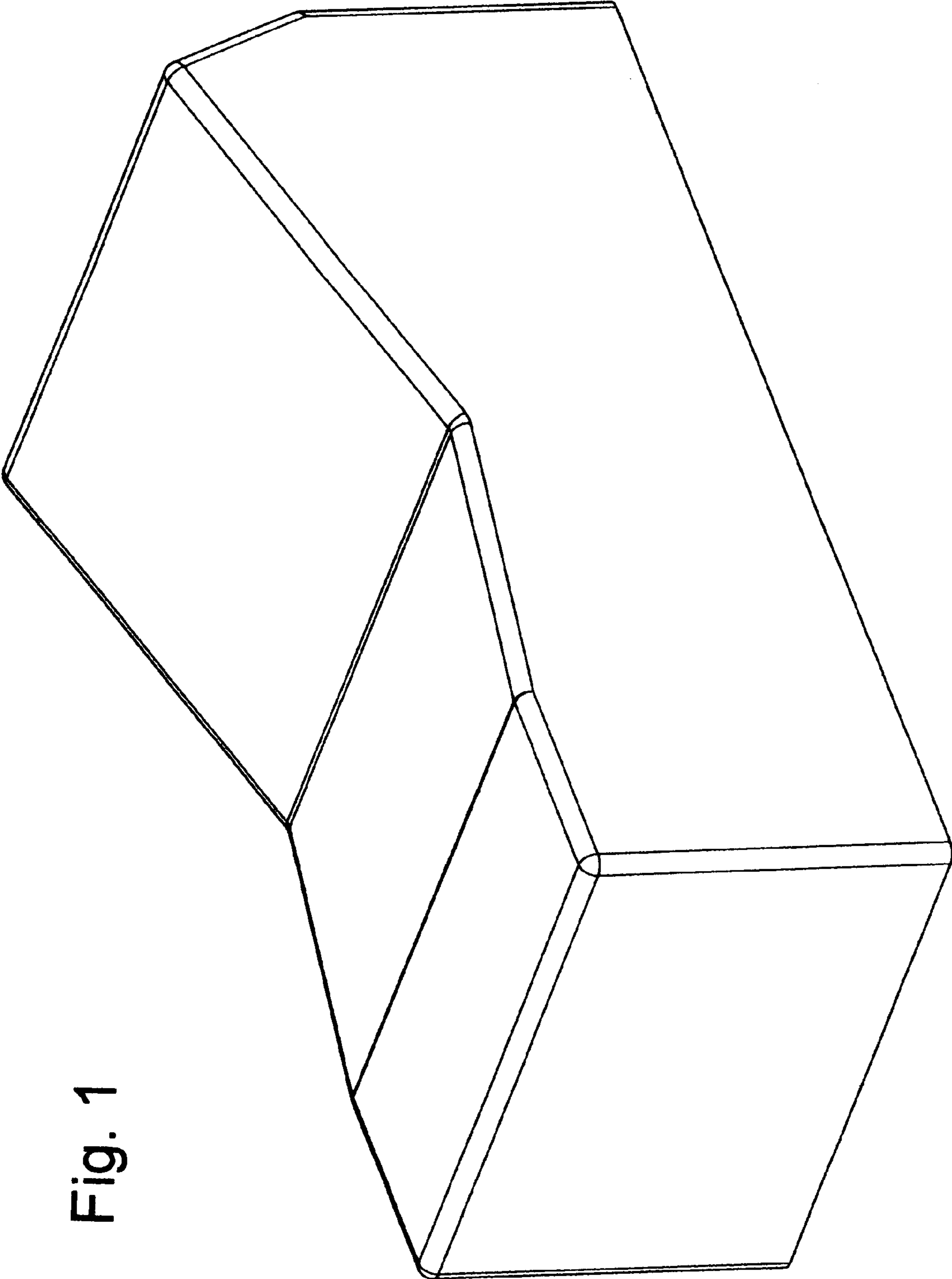


Fig. 1

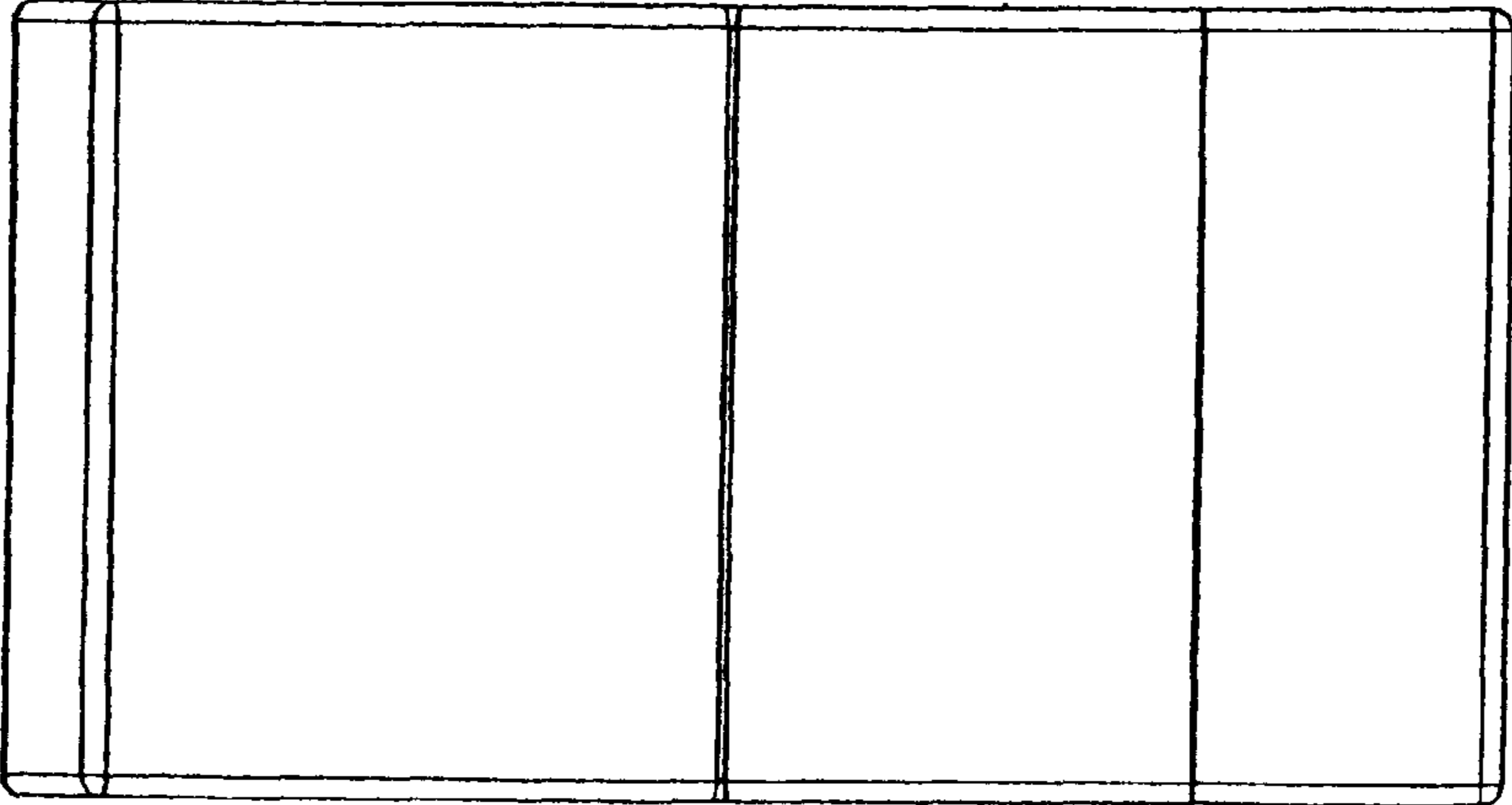


Fig. 2

Fig. 3

