



US00D543058S

(12) **United States Design Patent**
Quintal

(10) **Patent No.:** **US D543,058 S**

(45) **Date of Patent:** **** May 22, 2007**

(54) **SUPPORT FOR WORKSTATION**

(75) Inventor: **Alain Quintal**, 4745 Road 125,
Rawdon, Quebec (CA), J0K 1S0

(73) Assignee: **Alain Quintal**, St-Léonand, Quebec
(CA)

(**) Term: **14 Years**

(21) Appl. No.: **29/185,267**

(22) Filed: **Jun. 26, 2003**

(51) **LOC (8) Cl.** **06-06**

(52) **U.S. Cl.** **D6/499**

(58) **Field of Classification Search** D6/480-489,
D6/495-499; 108/153.1, 155, 161, 50.01,
108/50.02; 248/188, 188.1, 188.8
See application file for complete search history.

(56) **References Cited**

U.S. PATENT DOCUMENTS

D336,394 S * 6/1993 Ball D6/487

D443,440 S * 6/2001 Deimen et al. D6/480
D443,776 S * 6/2001 Deimen et al. D6/498
D450,497 S * 11/2001 Saul D6/499
2002/0171016 A1 * 11/2002 Nicoletti 248/188

* cited by examiner

Primary Examiner—Janice E. Seeger

(74) *Attorney, Agent, or Firm*—Brouillette & Partners;
Robert Brouillette

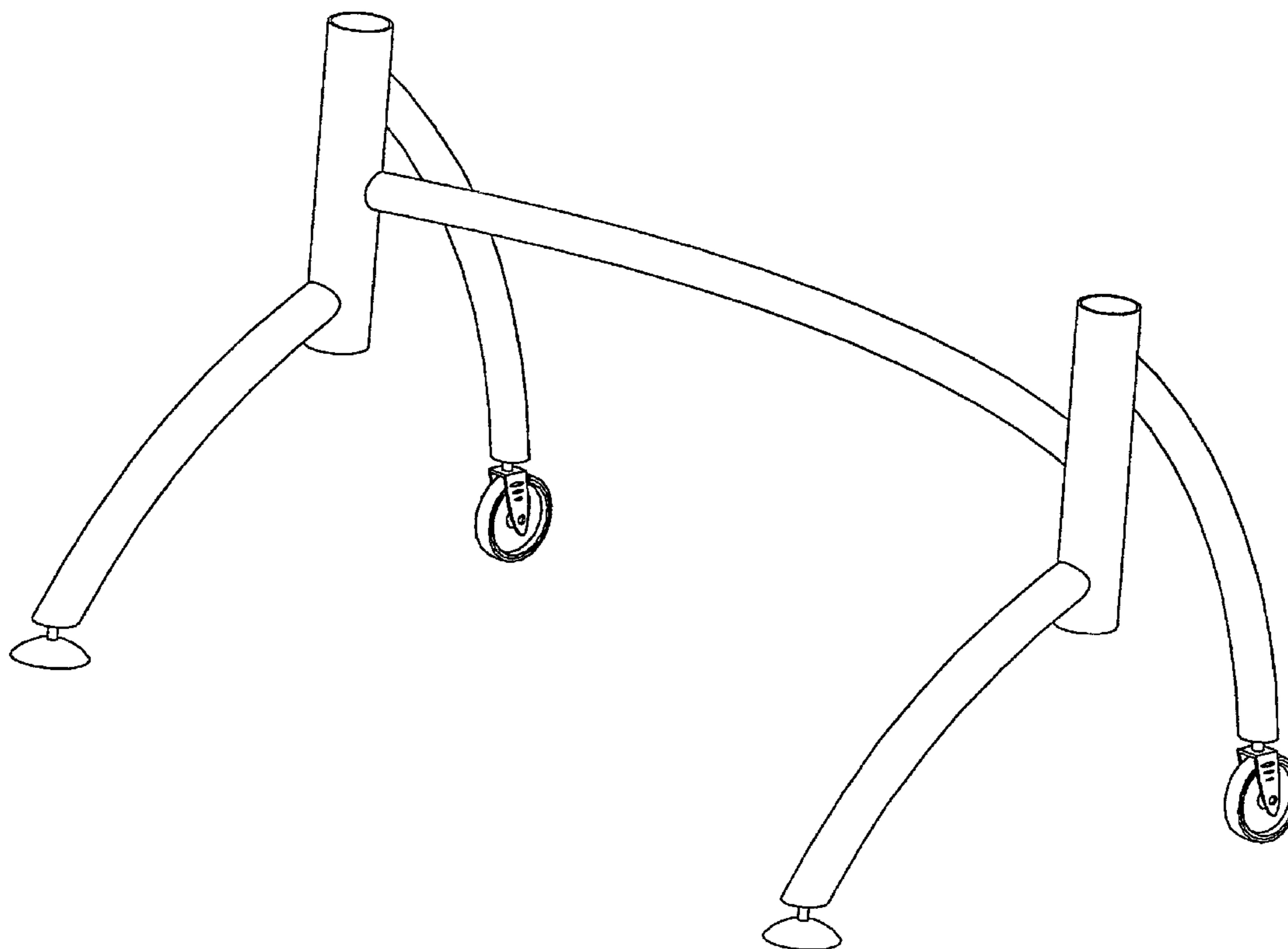
(57) **CLAIM**

The ornamental design for a support for workstation, as shown.

DESCRIPTION

FIG. 1 is a top perspective view of the support for workstation;
FIG. 2 is another top perspective view of the support for workstation;
FIG. 3 is a right side elevation view of the support for workstation; and,
FIG. 4 is a top view of the support for workstation.

1 Claim, 4 Drawing Sheets



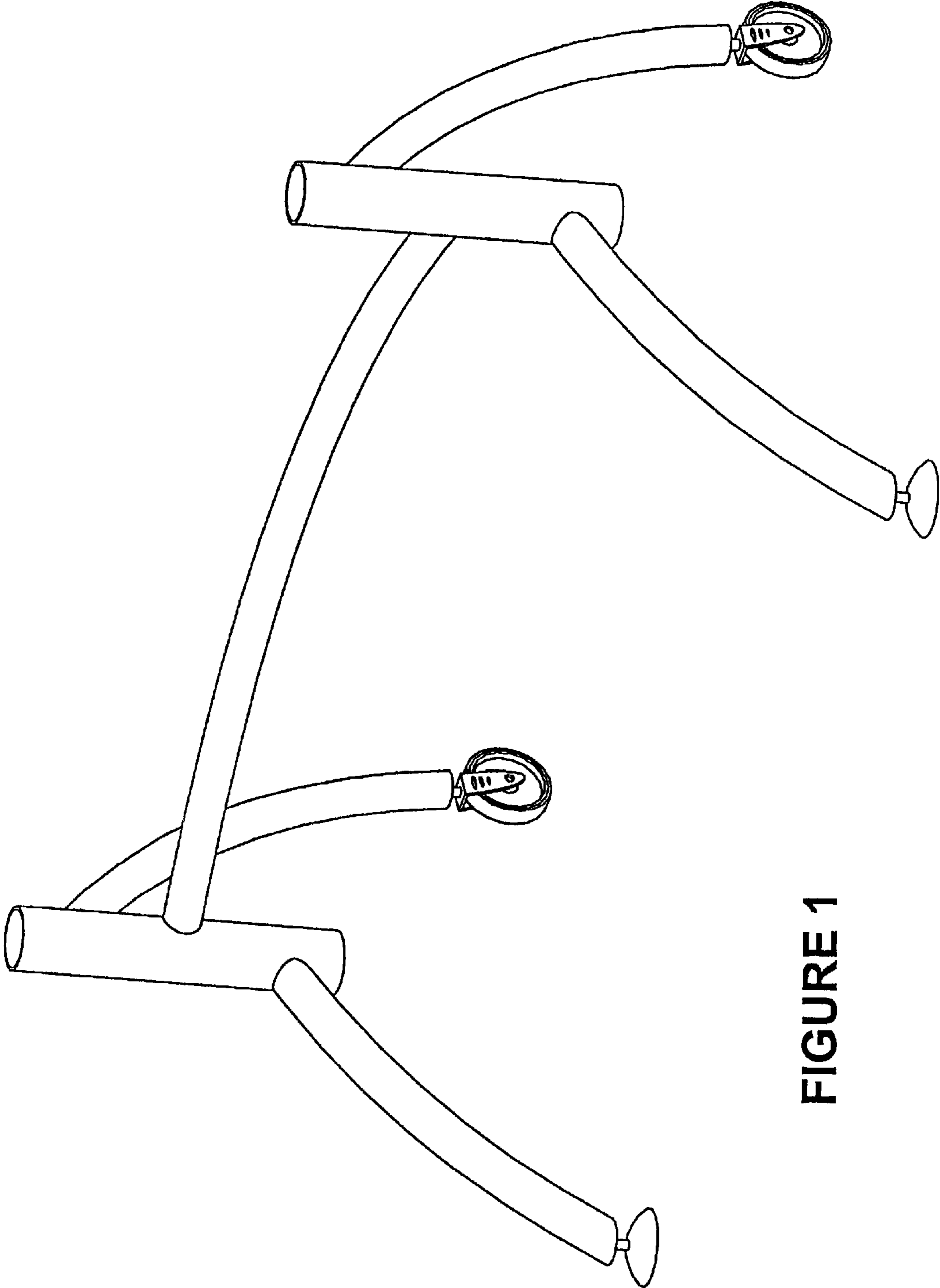


FIGURE 1

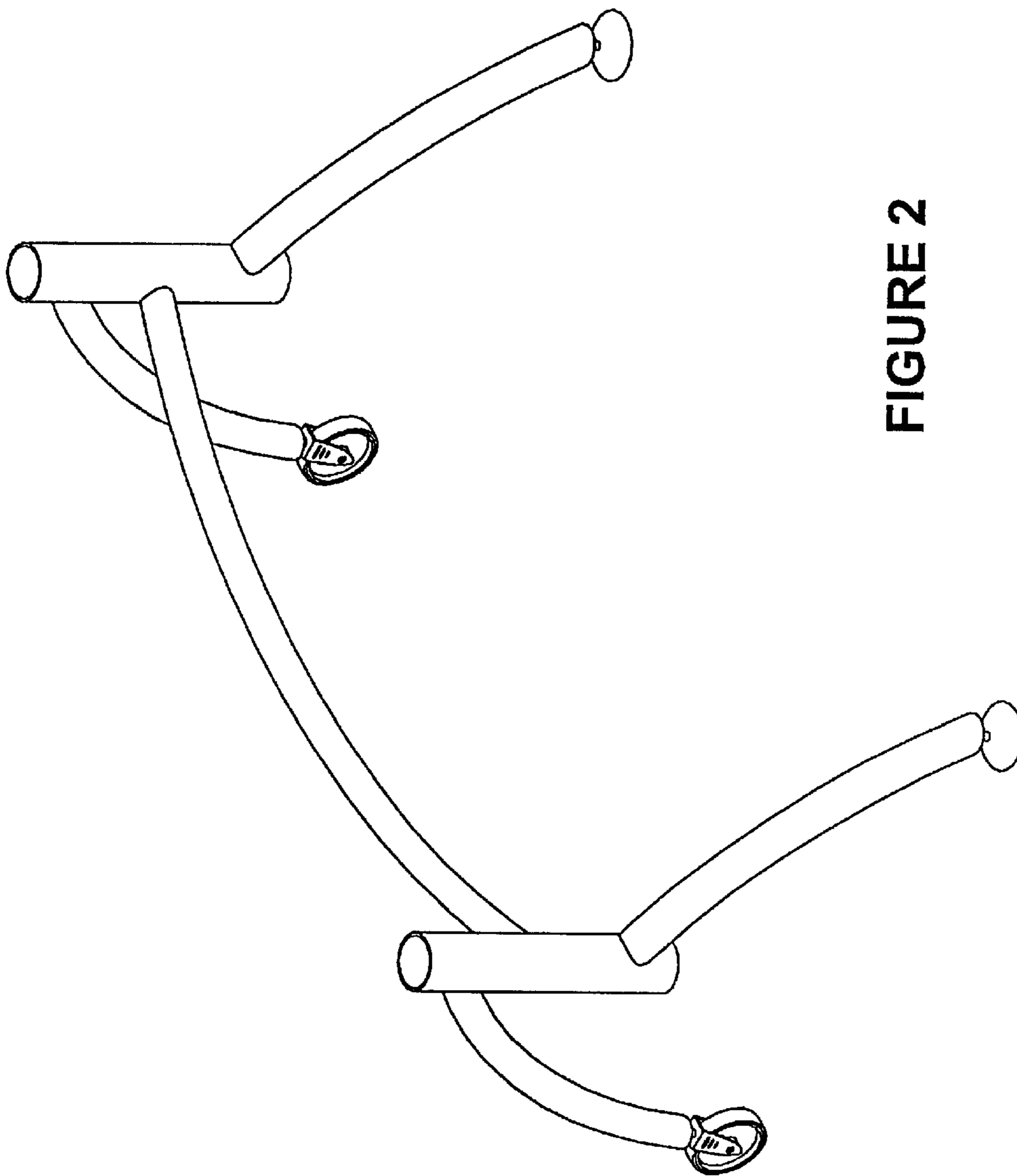


FIGURE 2

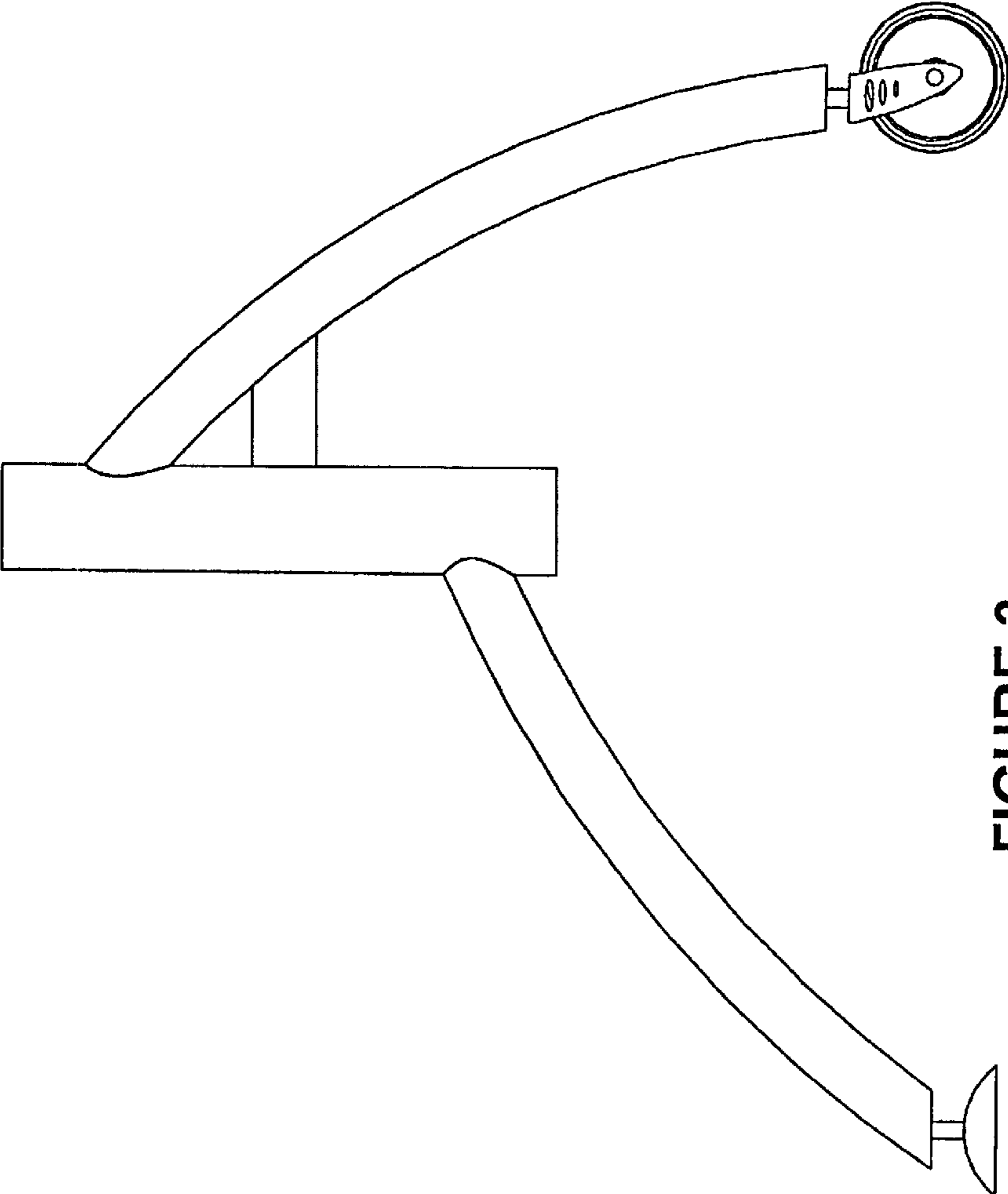


FIGURE 3

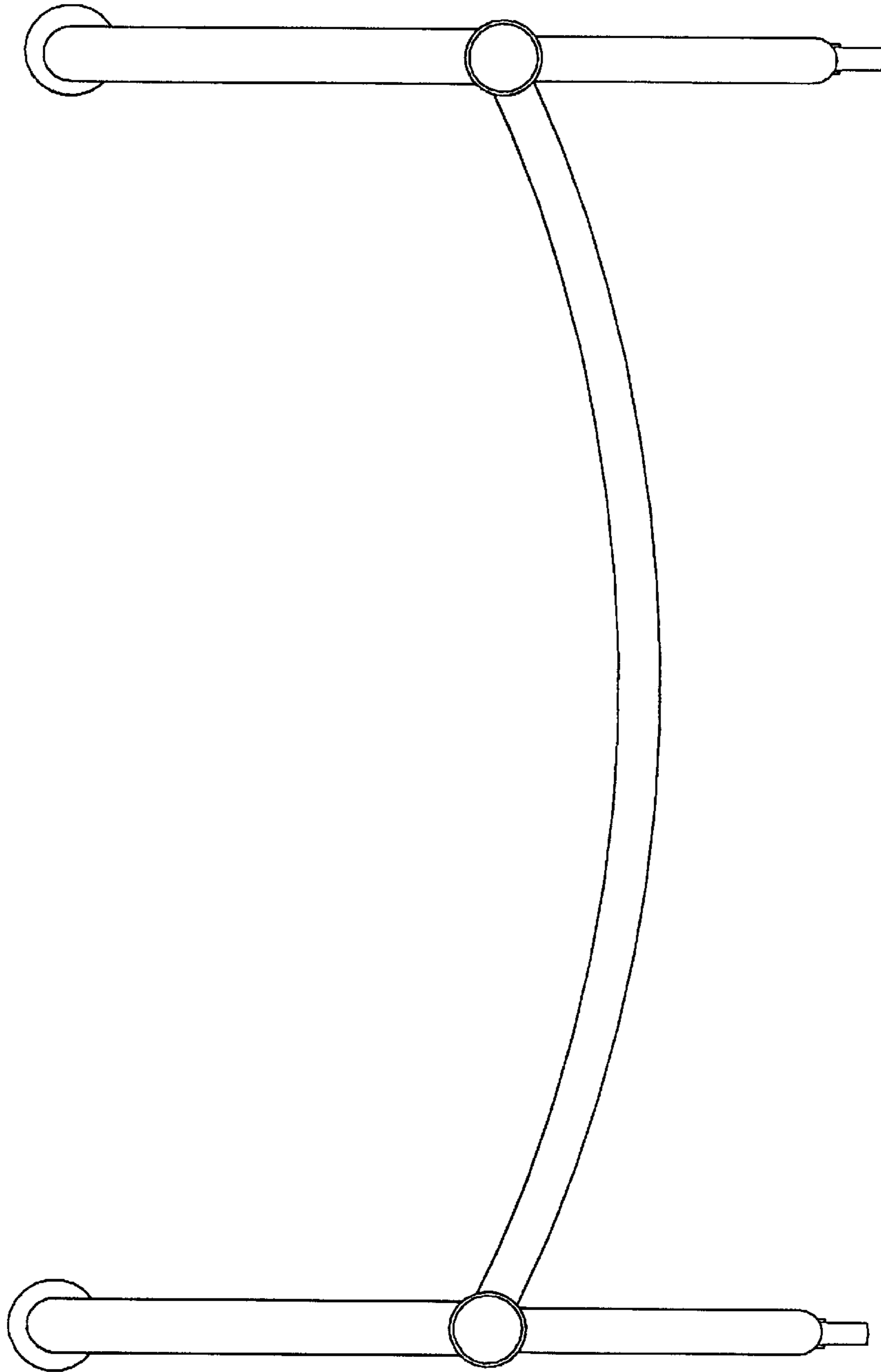


FIGURE 4