

US00D543056S

(12) **United States Design Patent**
Chou

(10) **Patent No.:** **US D543,056 S**

(45) **Date of Patent:** **** May 22, 2007**

(54) **SHELF FOR TELEVISION SET**

D519,756 S * 5/2006 Sexton D6/479

(75) Inventor: **Horng-Ren Chou**, Changhua Hsien
(TW)

(73) Assignee: **EHT Worldwide Co., Ltd.**, Changhua
(TW)

(**) Term: **14 Years**

(21) Appl. No.: **29/258,480**

(22) Filed: **Apr. 21, 2006**

(51) **LOC (8) Cl.** **06-04**

(52) **U.S. Cl.** **D6/478**

(58) **Field of Classification Search** D6/397,
D6/474, 477-479; 108/92-93, 96; 312/114,
312/7.2; 211/40-42, 26.1, 27, 188, 143
See application file for complete search history.

(56) **References Cited**

U.S. PATENT DOCUMENTS

D286,115 S	*	10/1986	Evans	D6/478
D288,996 S	*	3/1987	Winzeler, III	D6/474
D301,413 S	*	6/1989	Rosen	D6/397
D303,879 S	*	10/1989	Williams	D6/397
D364,055 S	*	11/1995	Pakla	D6/477
D516,837 S	*	3/2006	Niu	D6/474
D518,665 S	*	4/2006	Palmquist	D6/478

OTHER PUBLICATIONS

Ballard Designs □ □ Sawhorse Media Credenzas & Bookshelves; 299.00 □ □ Nov. 28, 2006.*
Pottery Barn □ □ RHYS Modular Media System □ □ Nov. 28, 2006.*

* cited by examiner

Primary Examiner—Cathron C. Brooks

Assistant Examiner—Kelley A. Donnelly

(74) *Attorney, Agent, or Firm*—Alan D. Kamrath; Nikolai & Mersereau, P.A.

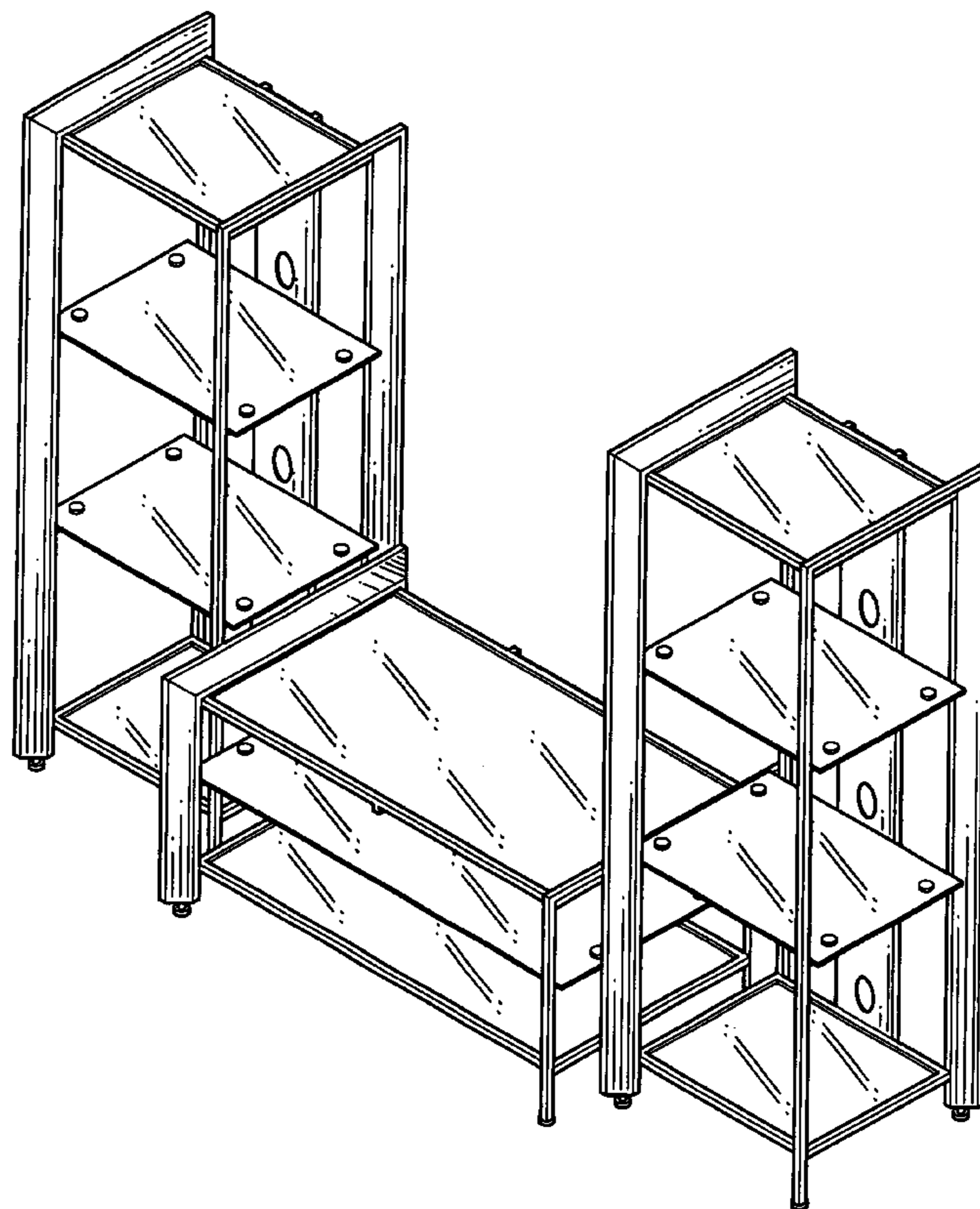
(57) **CLAIM**

The ornamental design for a shelf for television set, as shown and described.

DESCRIPTION

FIG. 1 is a perspective view of a shelf for television set showing my design;
FIG. 2 is a front elevational view thereof;
FIG. 3 is a rear elevational view thereof;
FIG. 4 is a left side elevational view thereof;
FIG. 5 is a right side elevational view thereof;
FIG. 6 is a top plan view thereof; and,
FIG. 7 is a bottom plan view thereof.

1 Claim, 4 Drawing Sheets



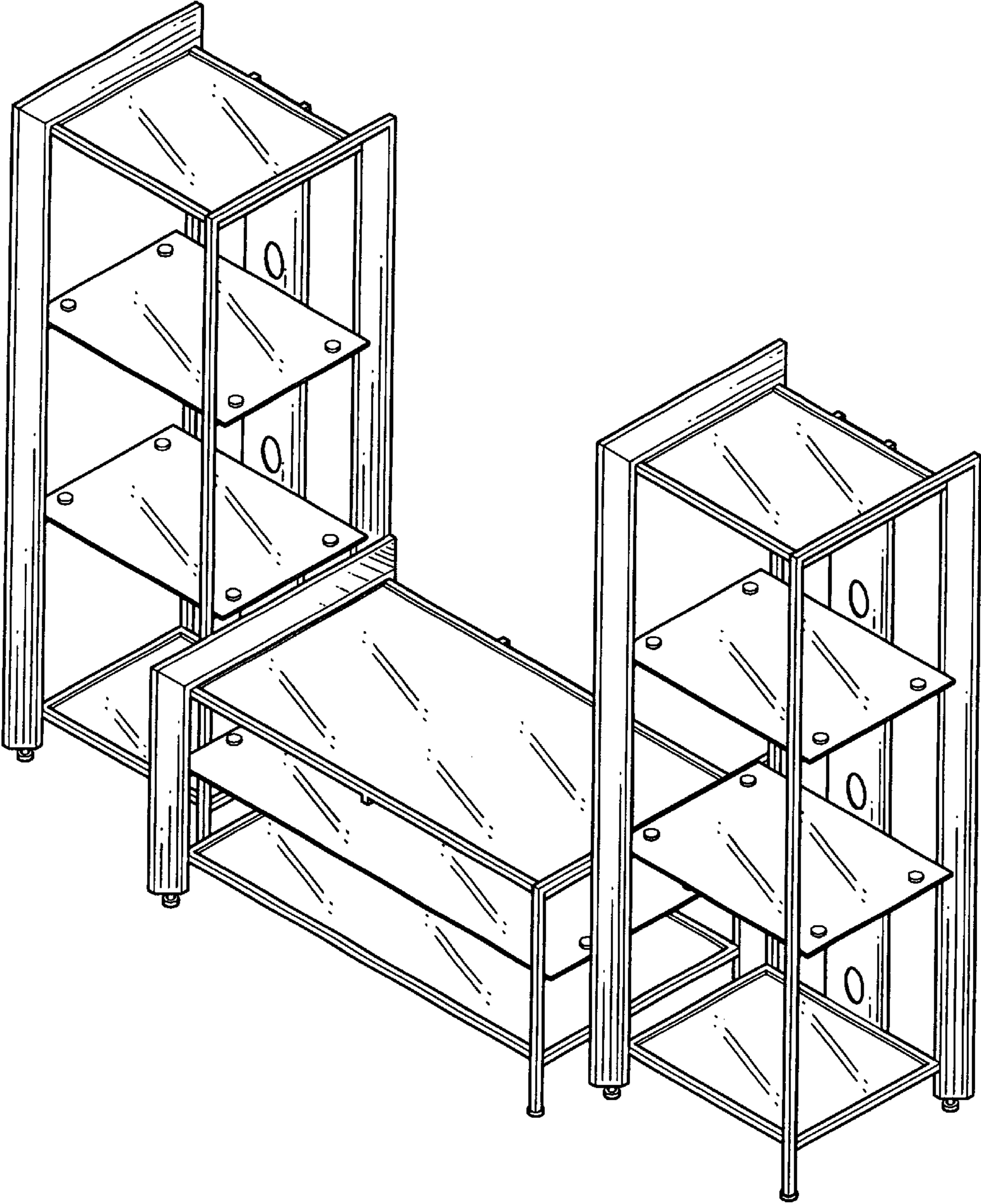


FIG. 1

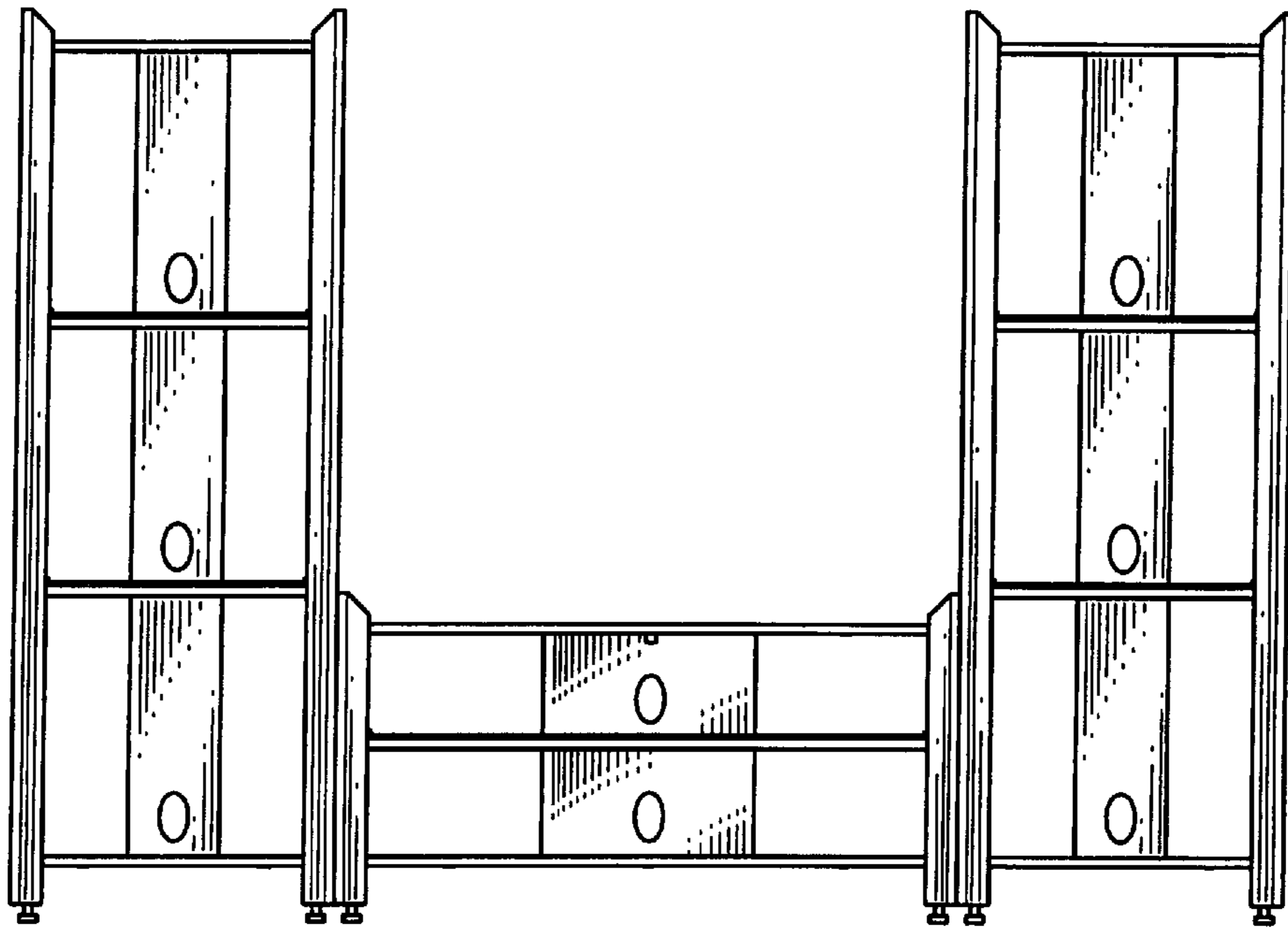


FIG. 2

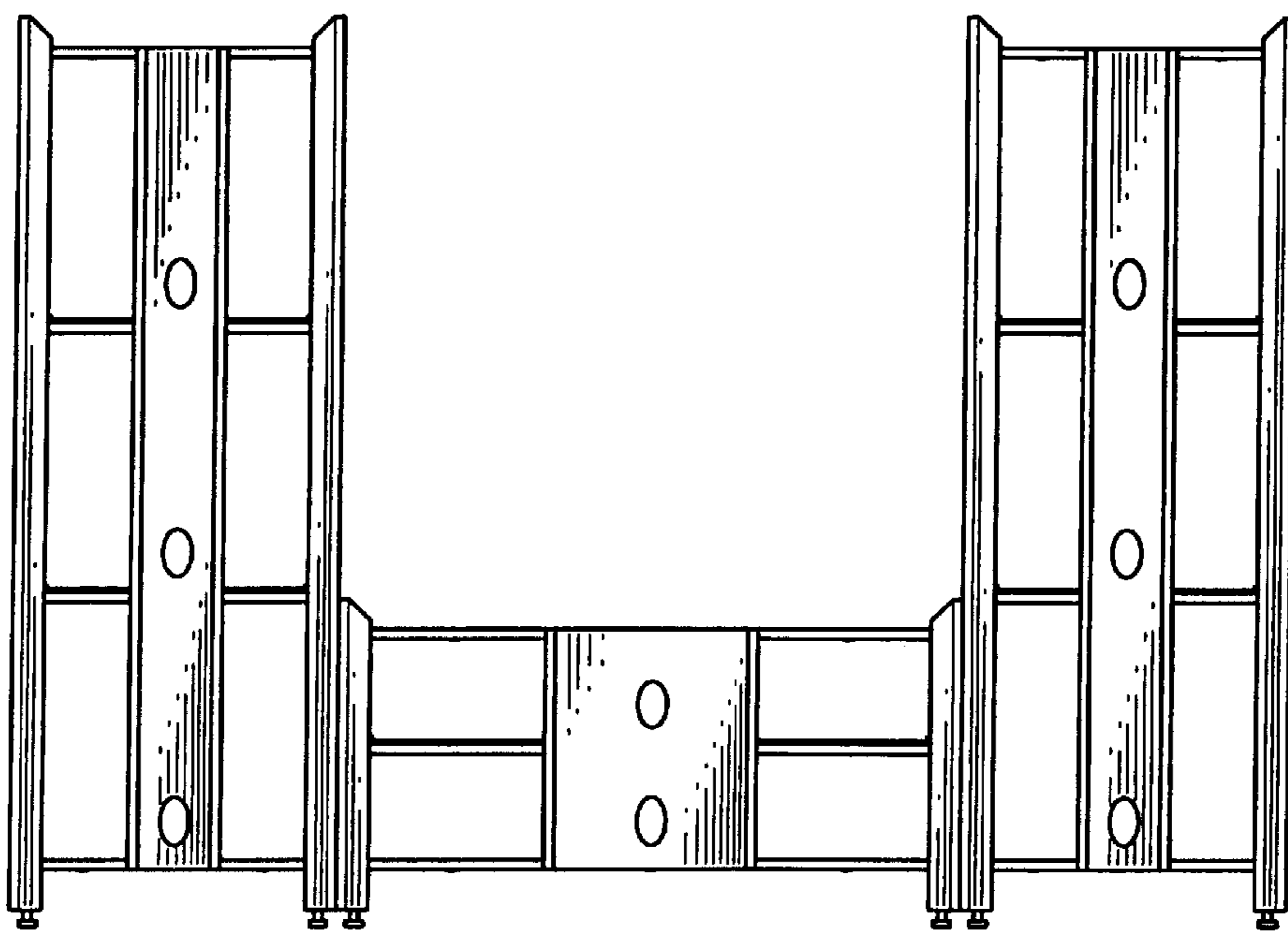


FIG. 3

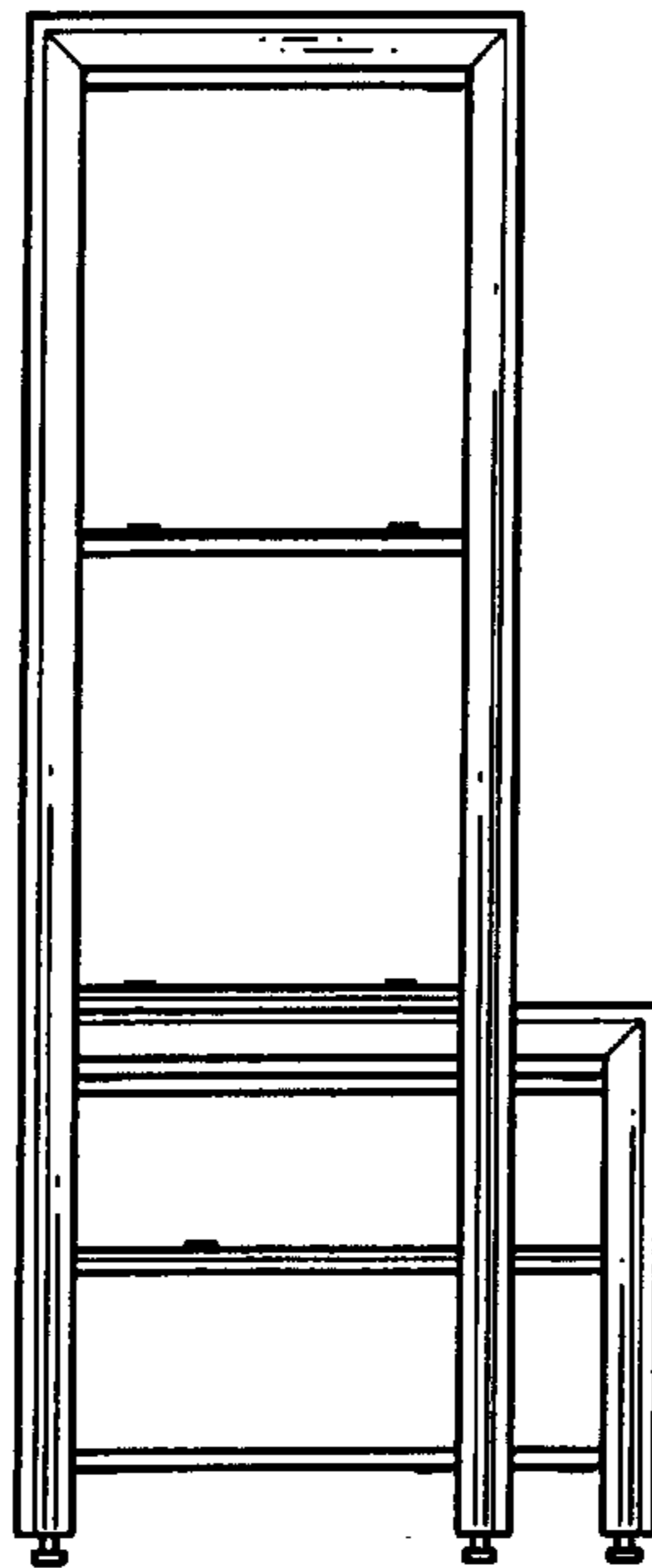


FIG. 4

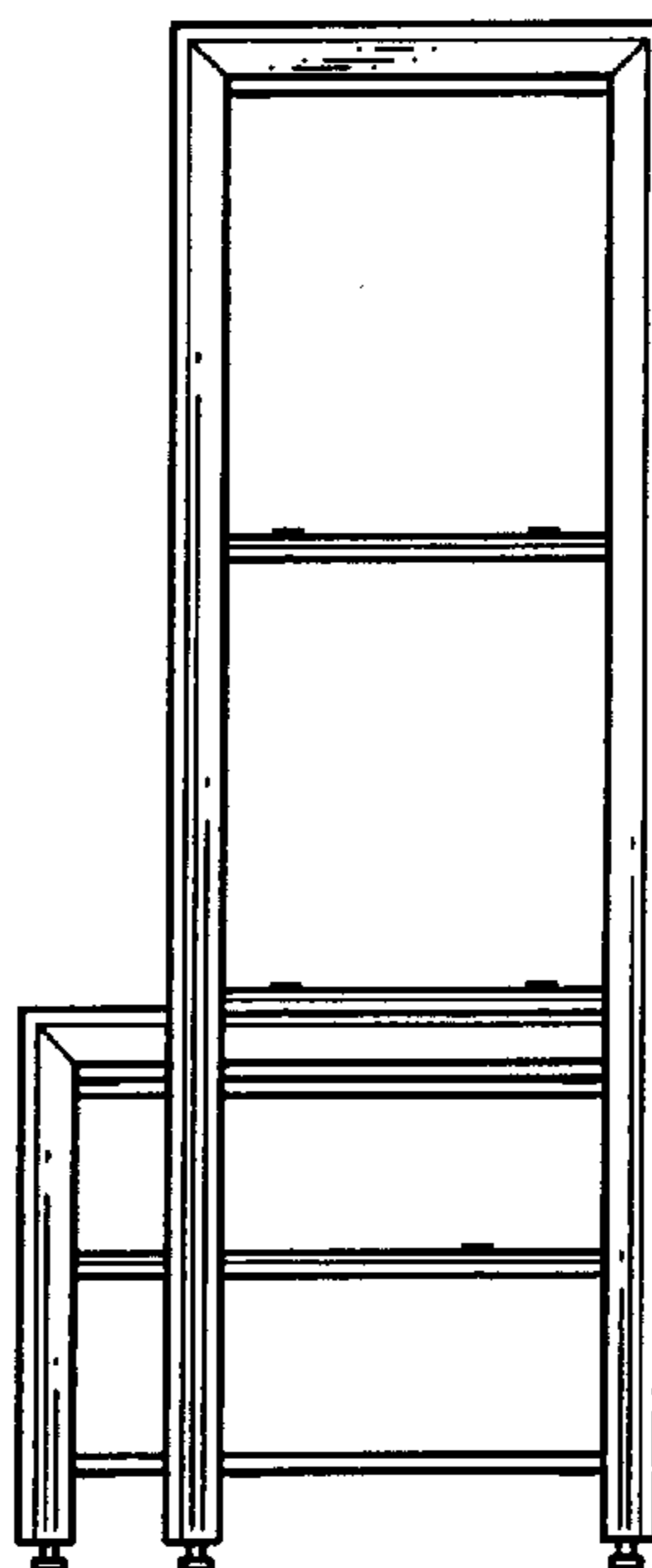


FIG. 5

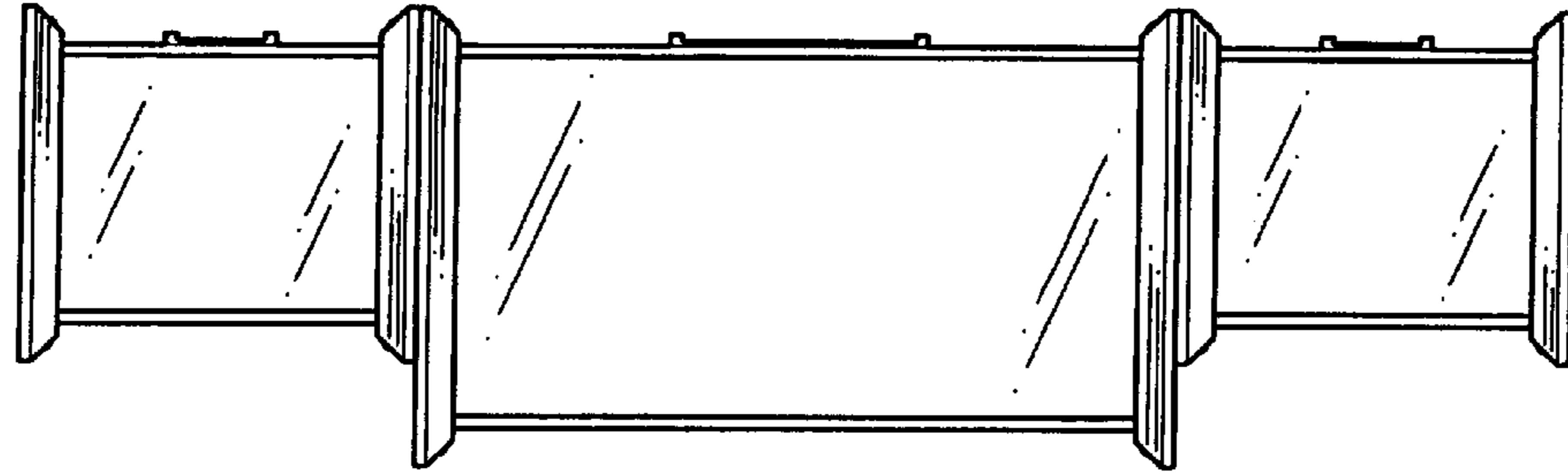


FIG. 6

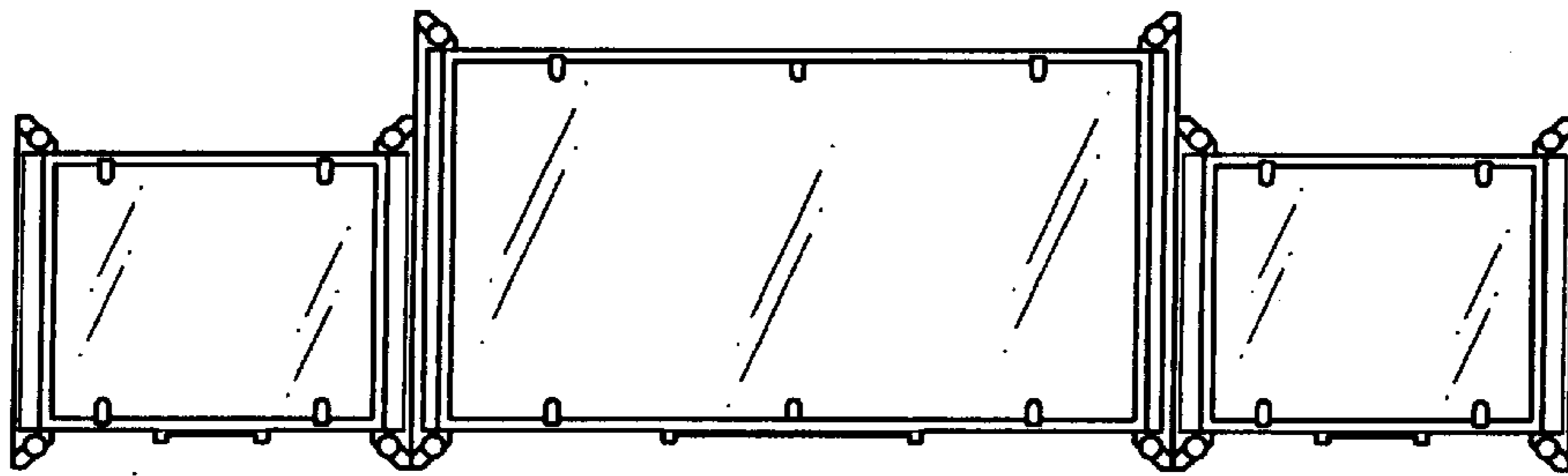


FIG. 7