



US00D543054S

(12) **United States Design Patent** (10) **Patent No.:** **US D543,054 S**  
**Au** (45) **Date of Patent:** **\*\* \*May 22, 2007**

(54) **SLIDING DOOR WATCH DISPLAY BOX WITH SINGLE WATCH WINDER**

(75) Inventor: **Kinsen Ka Fai Au**, Tuen Mun (HK)

(73) Assignee: **Nationalpak Limited**, Tuen Mun, N.T. (HK)

(\*) Notice: This patent is subject to a terminal disclaimer.

(\*\*) Term: **14 Years**

(21) Appl. No.: **29/216,796**

(22) Filed: **Nov. 8, 2004**

(51) **LOC (8) Cl.** ..... **06-04**

(52) **U.S. Cl.** ..... **D6/471**

(58) **Field of Classification Search** ..... D6/466-472;  
312/114, 204, 224; 206/495, 566, 301  
See application file for complete search history.

(56) **References Cited**

**U.S. PATENT DOCUMENTS**

D116,561 S	*	9/1939	Houle	.....	D6/471
D140,242 S	*	2/1945	Wemyss	.....	D6/466
D195,160 S	*	4/1963	Walte	.....	D6/471
D259,006 S	*	4/1981	Housman	.....	D6/471

D278,958 S	*	5/1985	Novak	.....	D6/471
D330,300 S	*	10/1992	Endelman	.....	D6/469
D349,553 S	*	8/1994	Au	.....	D9/422
D384,527 S	*	10/1997	Capeto	.....	D6/471
D410,108 S	*	5/1999	Reed	.....	D6/471
6,550,611 B1	*	4/2003	Au et al.	.....	206/301

\* cited by examiner

*Primary Examiner*—Cathron C. Brooks  
(74) *Attorney, Agent, or Firm*—Raymond Y. Chan; David and Raymond Patent Group

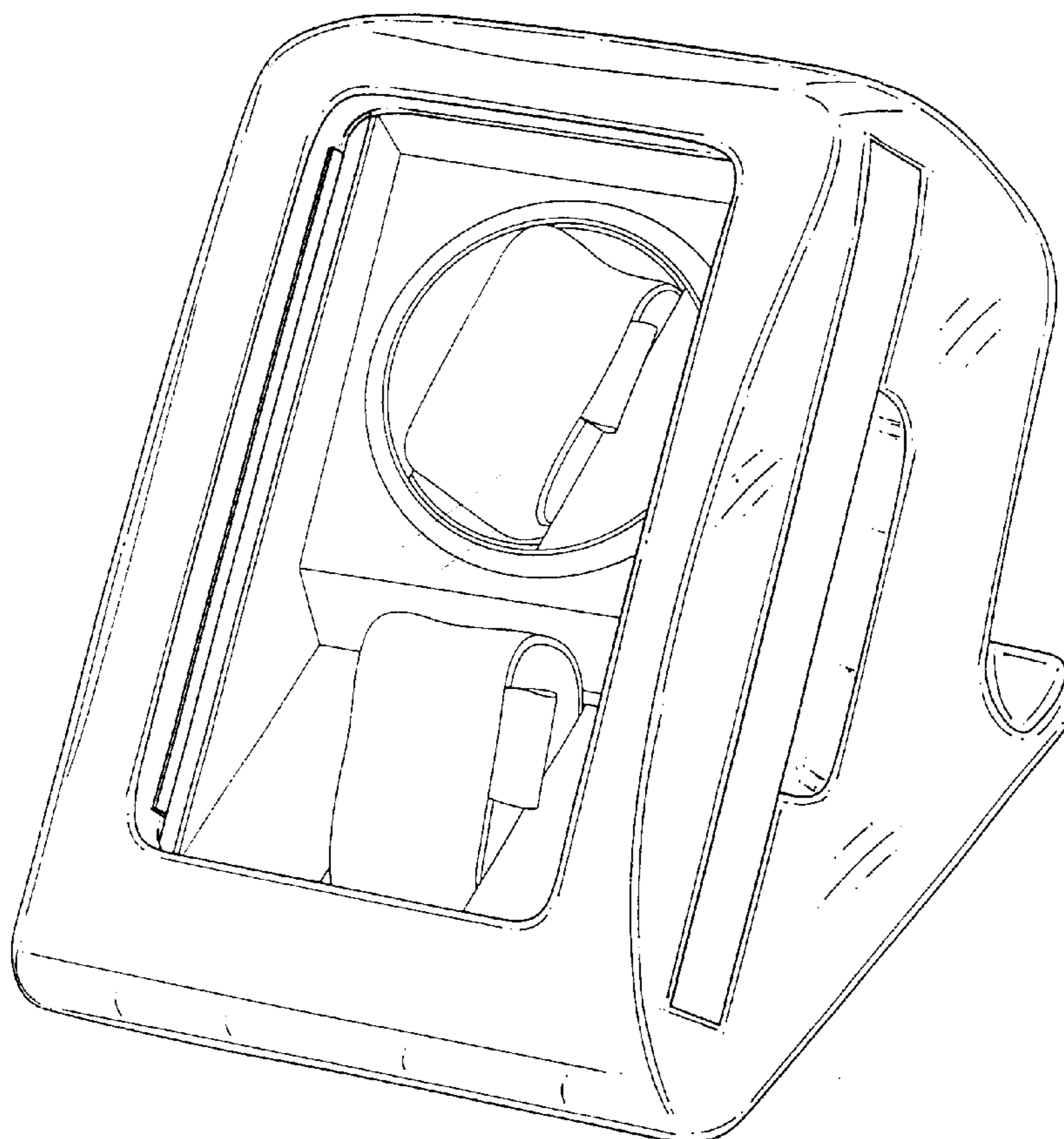
(57) **CLAIM**

The ornamental design for a sliding door watch display box with single watch winder, as shown and described.

**DESCRIPTION**

FIG. 1 is a perspective view showing my new design.  
FIG. 2 is a front view thereof.  
FIG. 3 is a rear view thereof.  
FIG. 4 is a left end view thereof.  
FIG. 5 is a right end view thereof.  
FIG. 6 is a top view thereof.  
FIG. 7 is a bottom view thereof; and,  
FIG. 8 is a perspective view thereof, with the door shown in an opened position.

**1 Claim, 8 Drawing Sheets**



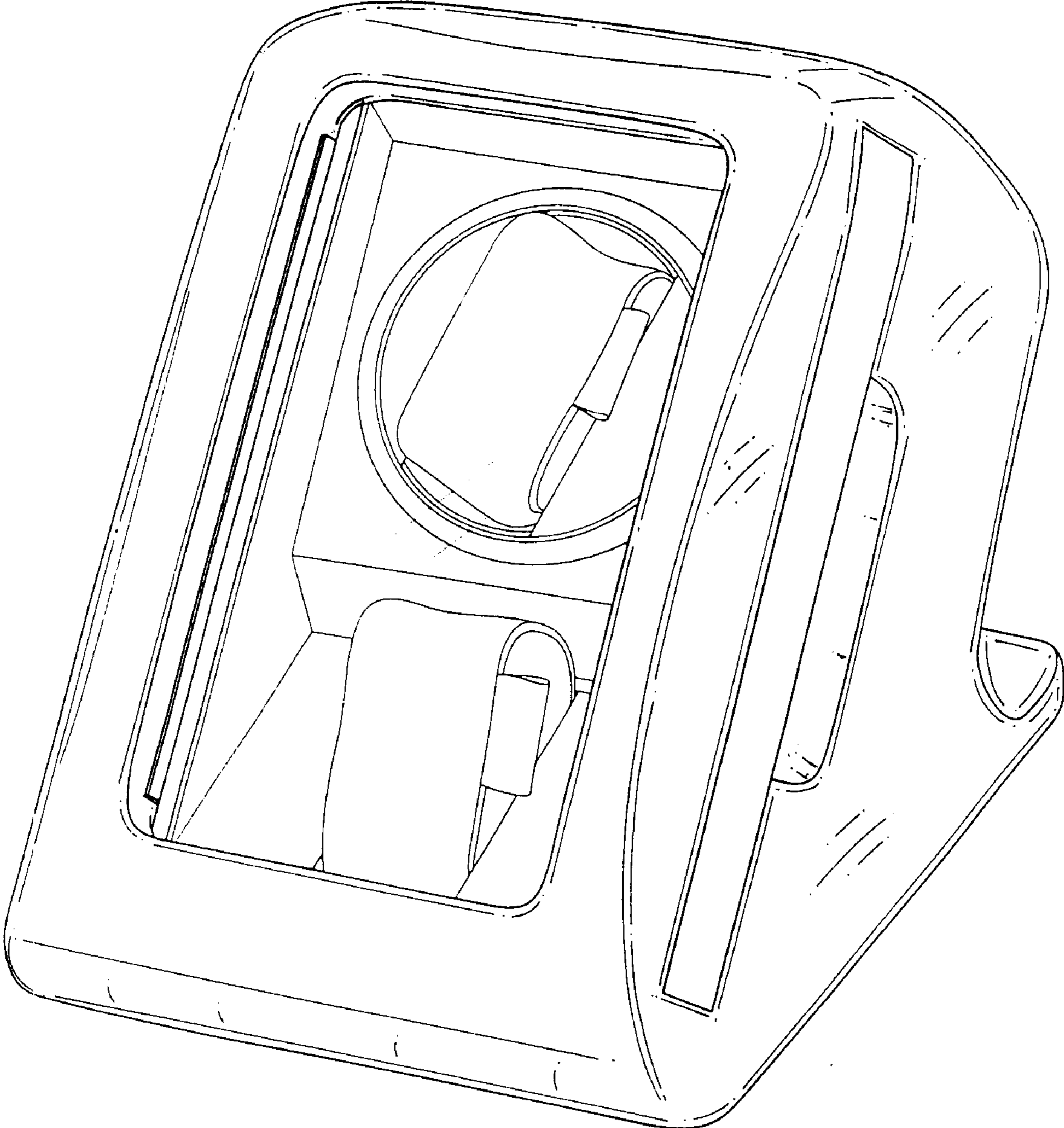


FIG. 1

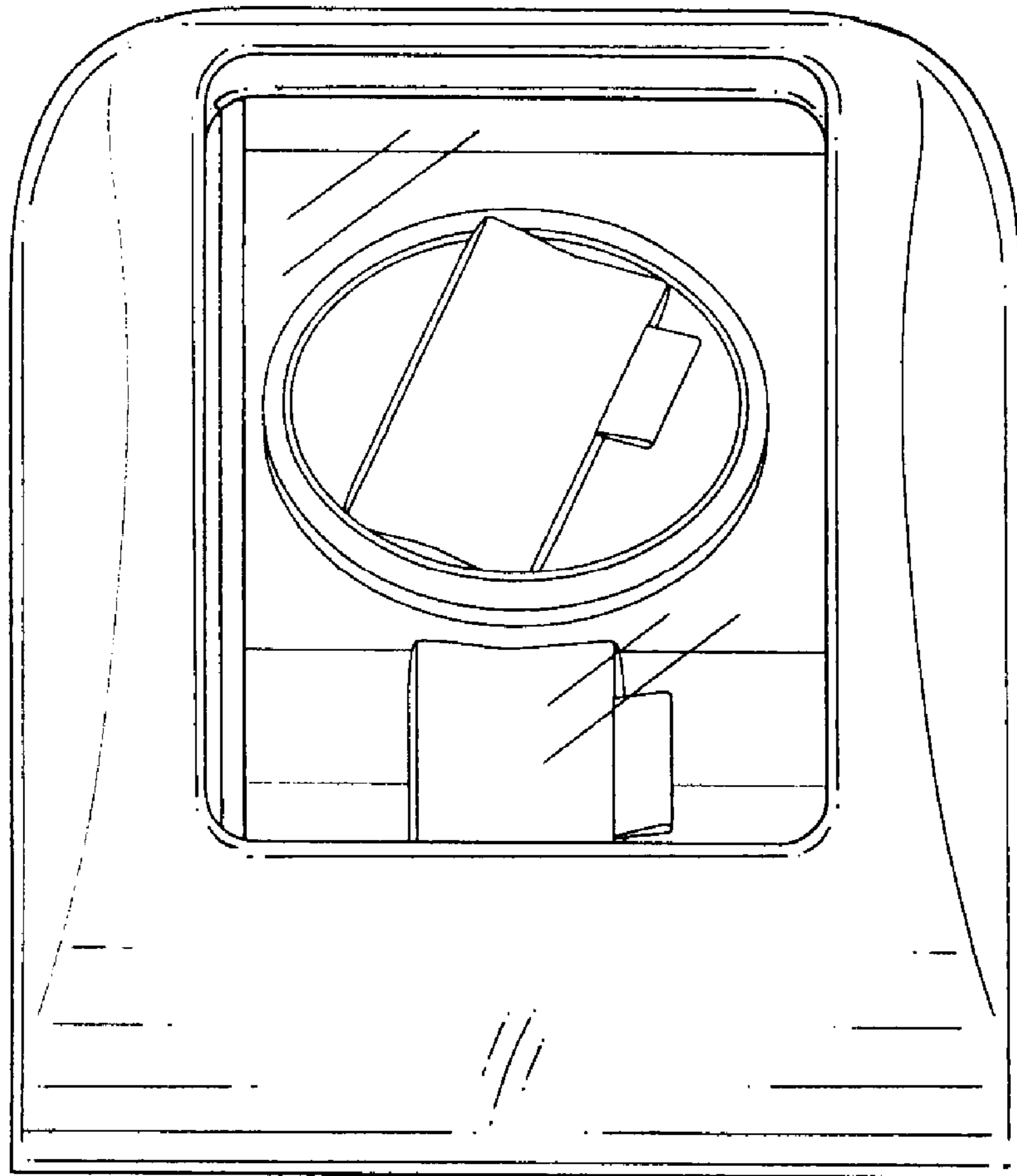


FIG. 2

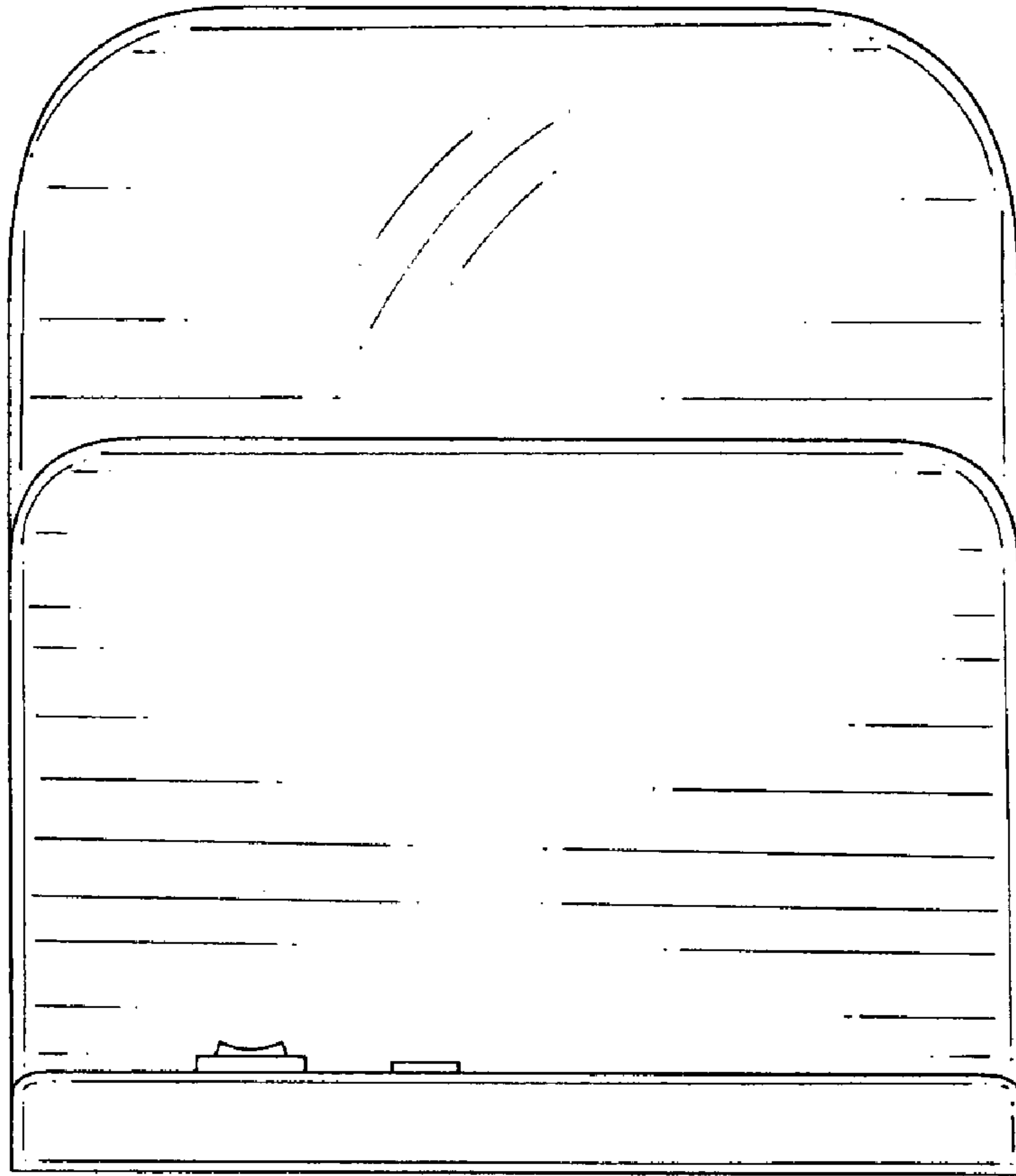


FIG. 3

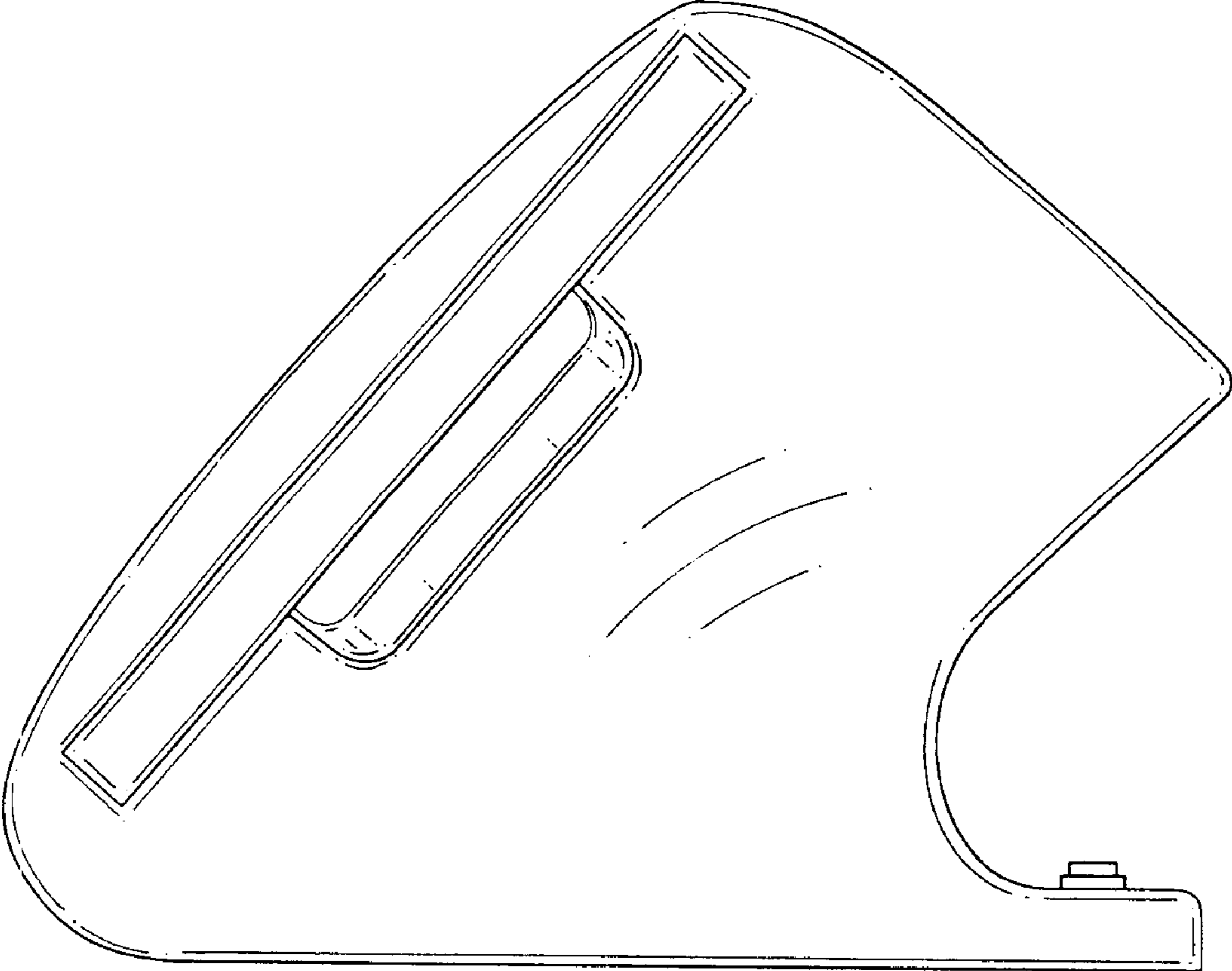


FIG. 4

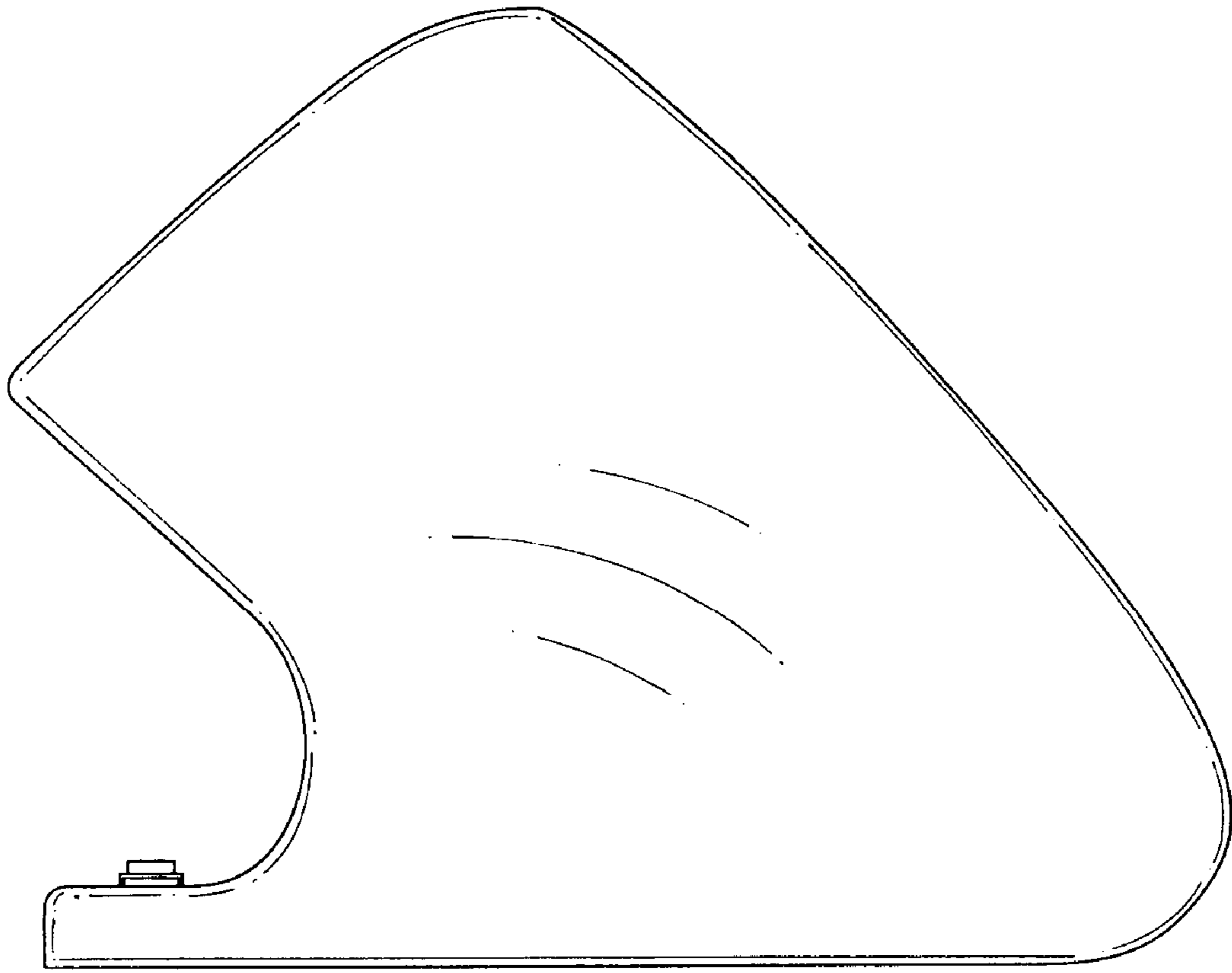


FIG. 5

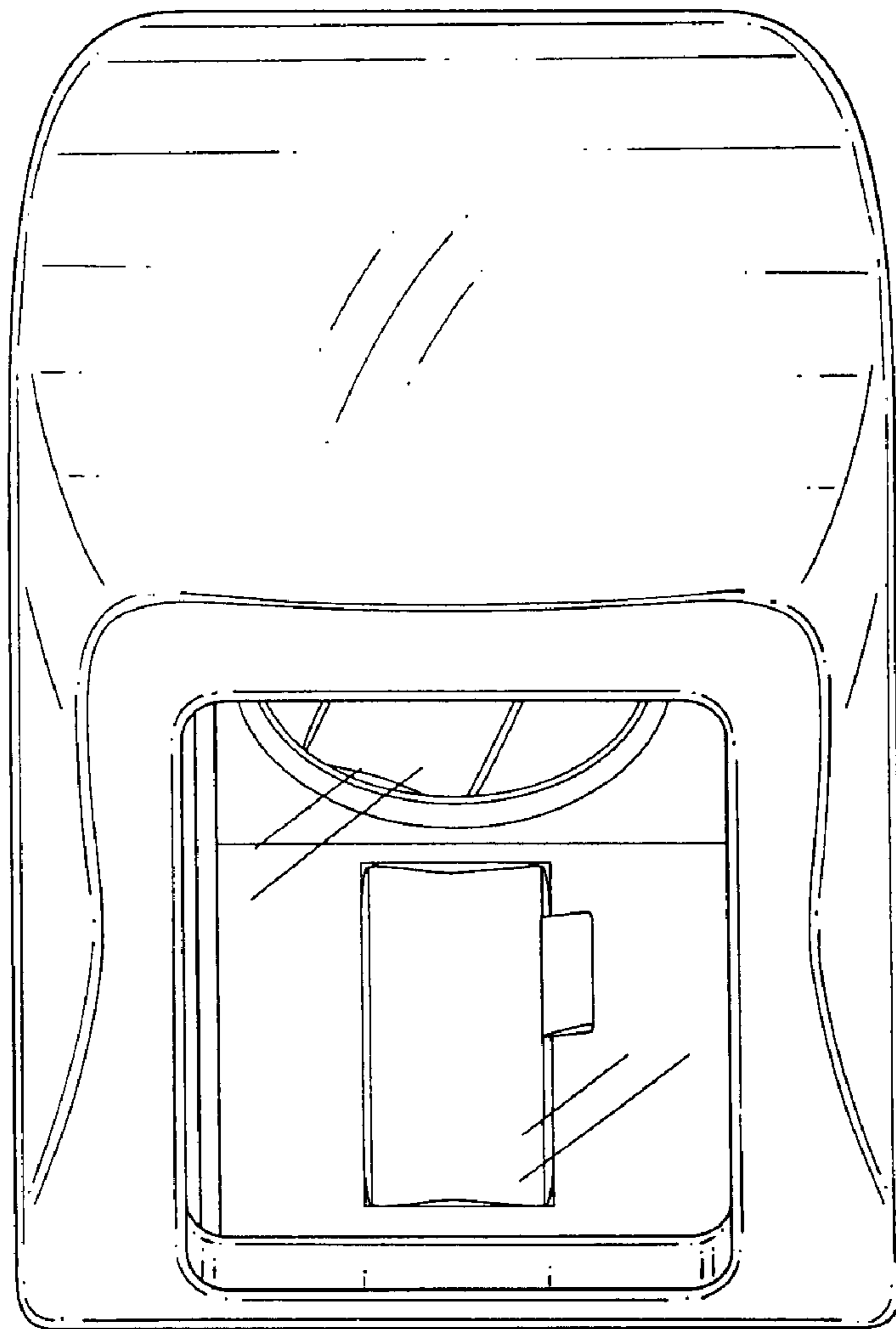


FIG. 6

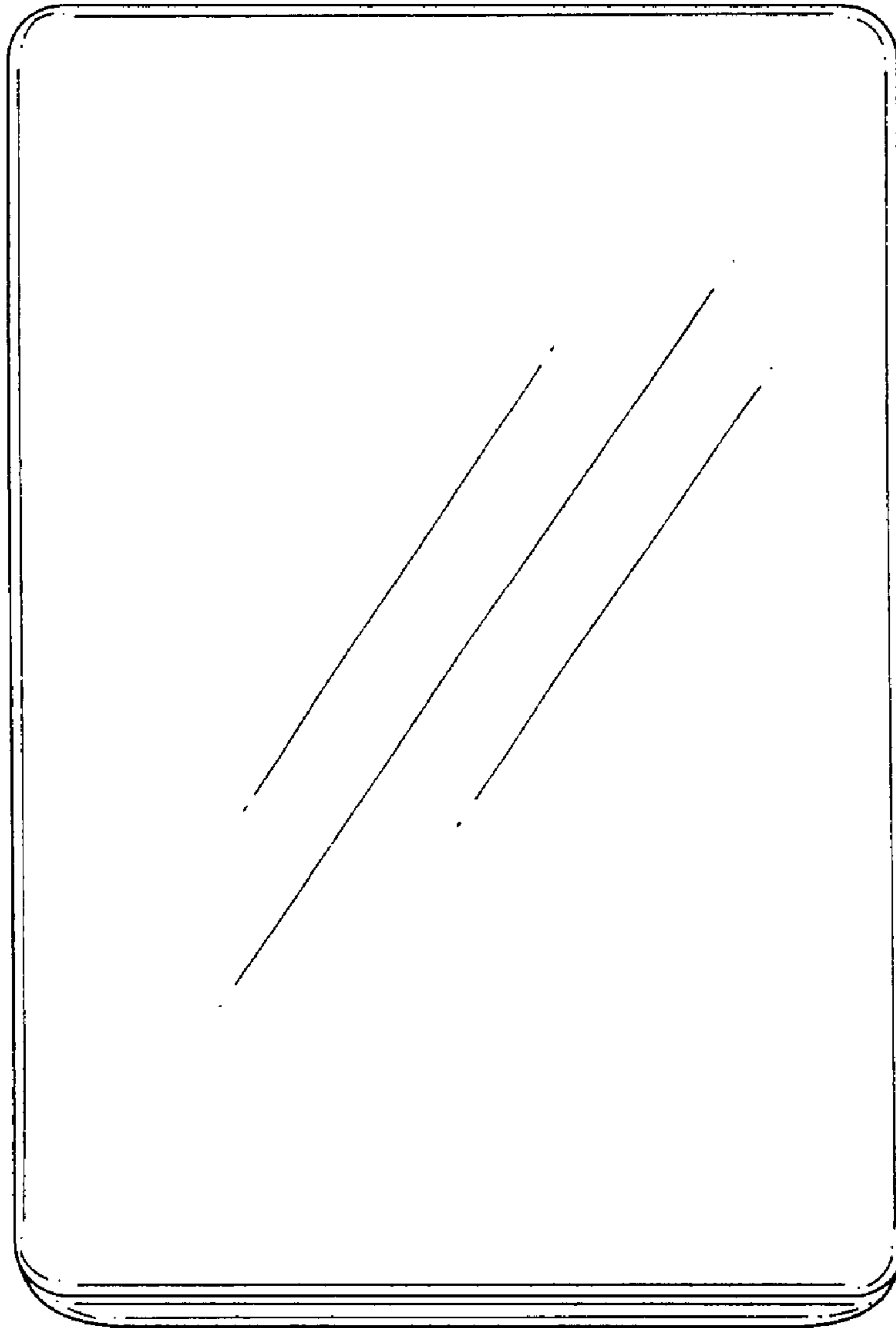


FIG. 7



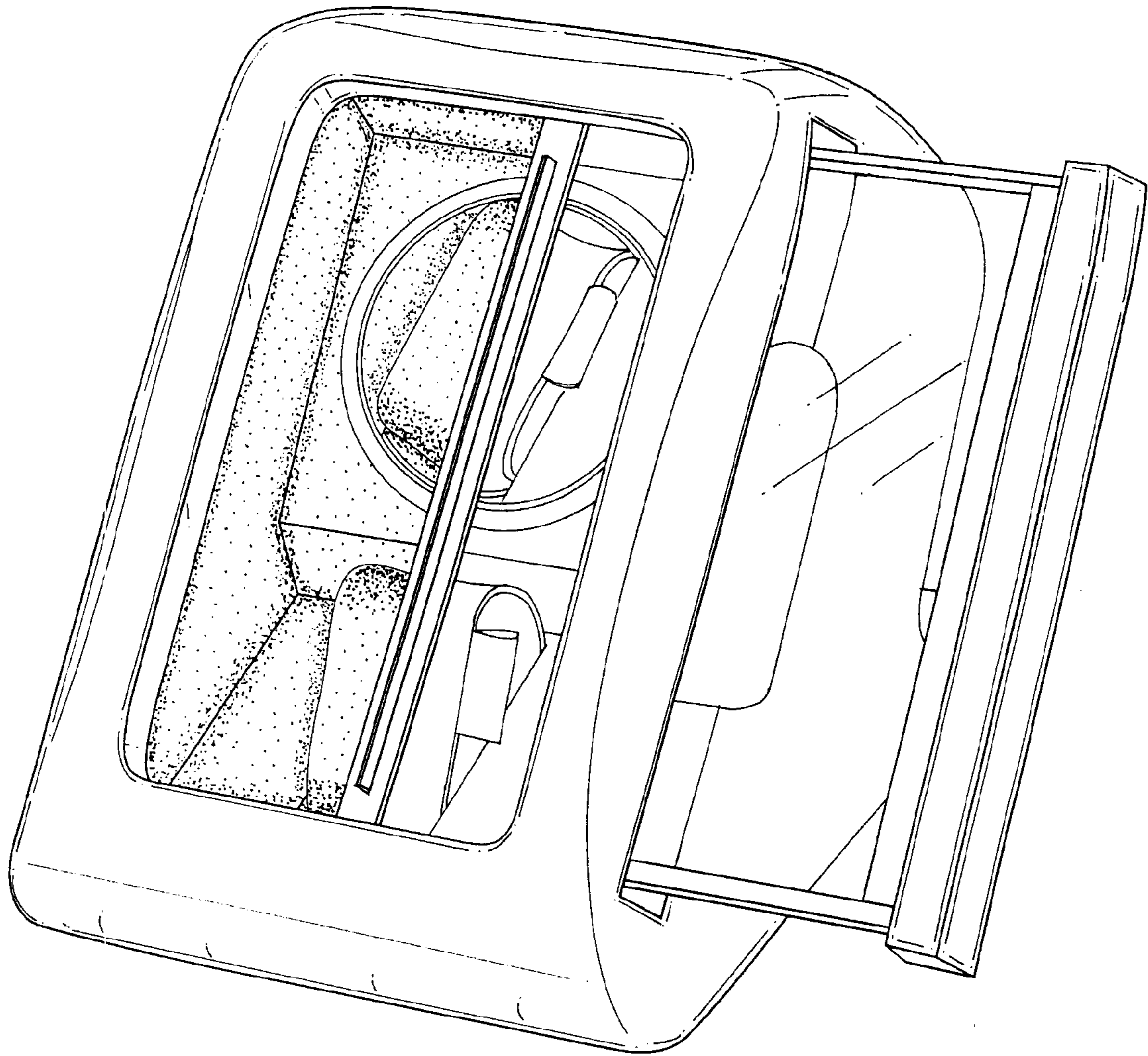


FIG. 8