

US00D543053S

(12) **United States Design Patent** (10) **Patent No.:** **US D543,053 S**
Weaver, Jr. (45) **Date of Patent:** **** May 22, 2007**

(54) **MUSICAL INSTRUMENT HOLDER**

(76) Inventor: **Thomas C. Weaver, Jr.**, 104 S. Springvalley Rd., McMurray, PA (US) 15317

(**) Term: **14 Years**

(21) Appl. No.: **29/222,318**

(22) Filed: **Jan. 27, 2005**

(51) **LOC (8) Cl.** **06-04**

(52) **U.S. Cl.** **D6/450**

(58) **Field of Classification Search** D6/450, D6/466, 467, 303, 512, 629; D17/99; 211/85.6; 248/441.1, 450, 442.2, 451, 454-456, 121, 248/133, 152, 174, 176.1

See application file for complete search history.

(56) **References Cited**

U.S. PATENT DOCUMENTS

4,176,580 A	12/1979	Gallegos	
4,328,733 A	5/1982	Smith	
D283,032 S	3/1986	Quesnel	
5,000,071 A	3/1991	Thomas	
D316,000 S	4/1991	Logan et al.	
D353,729 S	* 12/1994	MacOwan D6/466
D357,828 S	5/1995	Liao	
D360,330 S	* 7/1995	Ankeney D6/629
D360,427 S	7/1995	Gracie	
D361,451 S	* 8/1995	Reiland D6/466
5,560,497 A	10/1996	Mulvihill, Jr.	
5,649,634 A	7/1997	Irizarry	
D389,341 S	1/1998	Danner et al.	
D396,579 S	8/1998	Kalayjian	
D407,240 S	3/1999	Payne	
D411,698 S	6/1999	Kalayjian	
5,911,396 A	6/1999	Bireley	

5,941,490 A	8/1999	Pearse	
6,015,121 A	1/2000	Reid	
6,091,011 A	7/2000	Simons et al.	
6,121,527 A	9/2000	Hamm	
D436,465 S	1/2001	Berkman	
6,198,031 B1	3/2001	Jones	
6,204,440 B1	3/2001	Yu	
6,231,018 B1	5/2001	Barbieri	
6,296,213 B1	10/2001	Law, III et al.	
6,316,706 B1	11/2001	Sammons	
2003/0167902 A1	* 9/2003	Hiner et al. 84/477 R

* cited by examiner

Primary Examiner—Janice E. Seeger
Assistant Examiner—Sydney R. Buffalow
(74) *Attorney, Agent, or Firm*—Reed Smith LLP

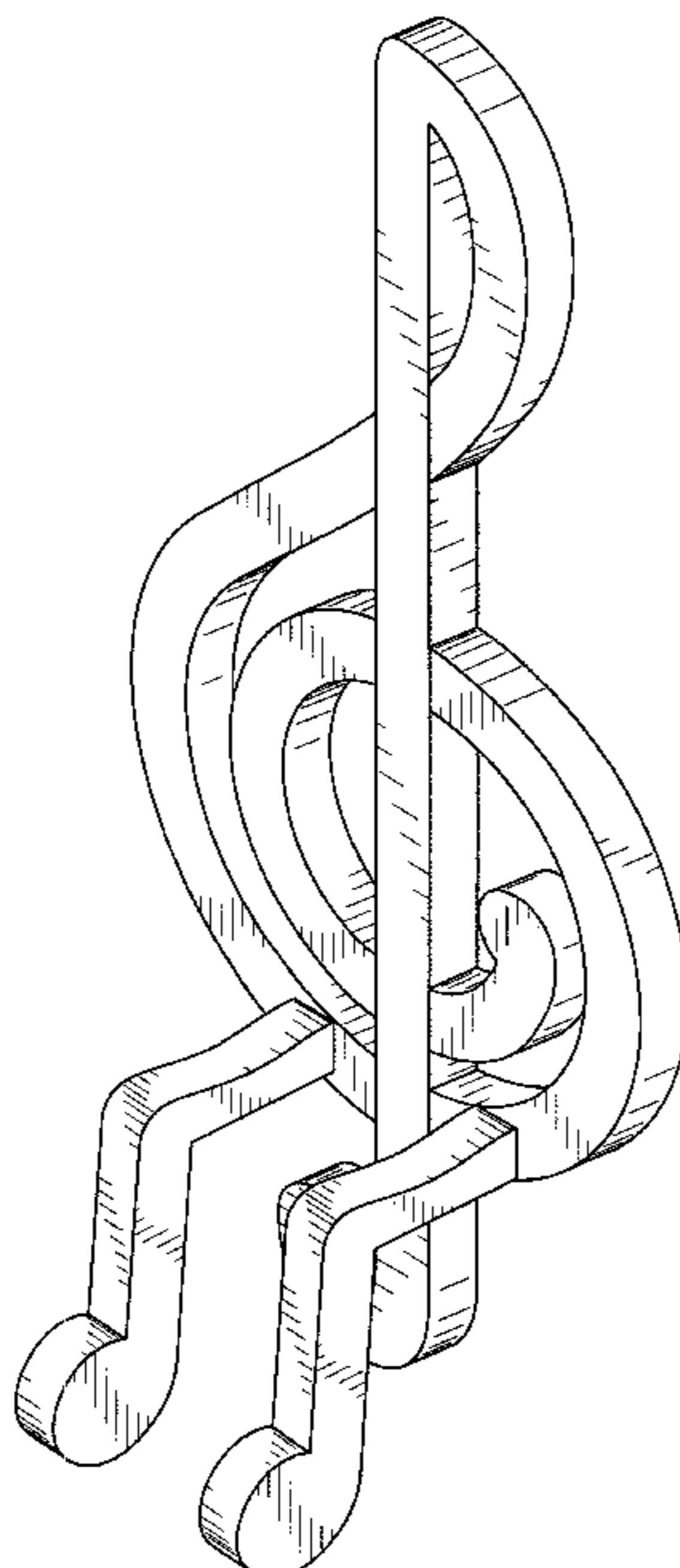
(57) **CLAIM**

The ornamental design for a musical instrument holder, as shown and described.

DESCRIPTION

FIG. 1 is a perspective view of an embodiment of a musical instrument holder in accordance with my new design. FIG. 2 is a front view of the musical instrument holder shown in FIG. 1. FIG. 3 is a back view of the musical instrument holder shown in FIG. 1. FIG. 4 is a left side view of the musical instrument holder shown in FIG. 1. FIG. 5 is a right side view of the musical instrument holder shown in FIG. 1. FIG. 6 is a top view of the musical instrument holder shown in FIG. 1; and, FIG. 7 is a bottom view of the musical instrument holder shown in FIG. 1.

1 Claim, 5 Drawing Sheets



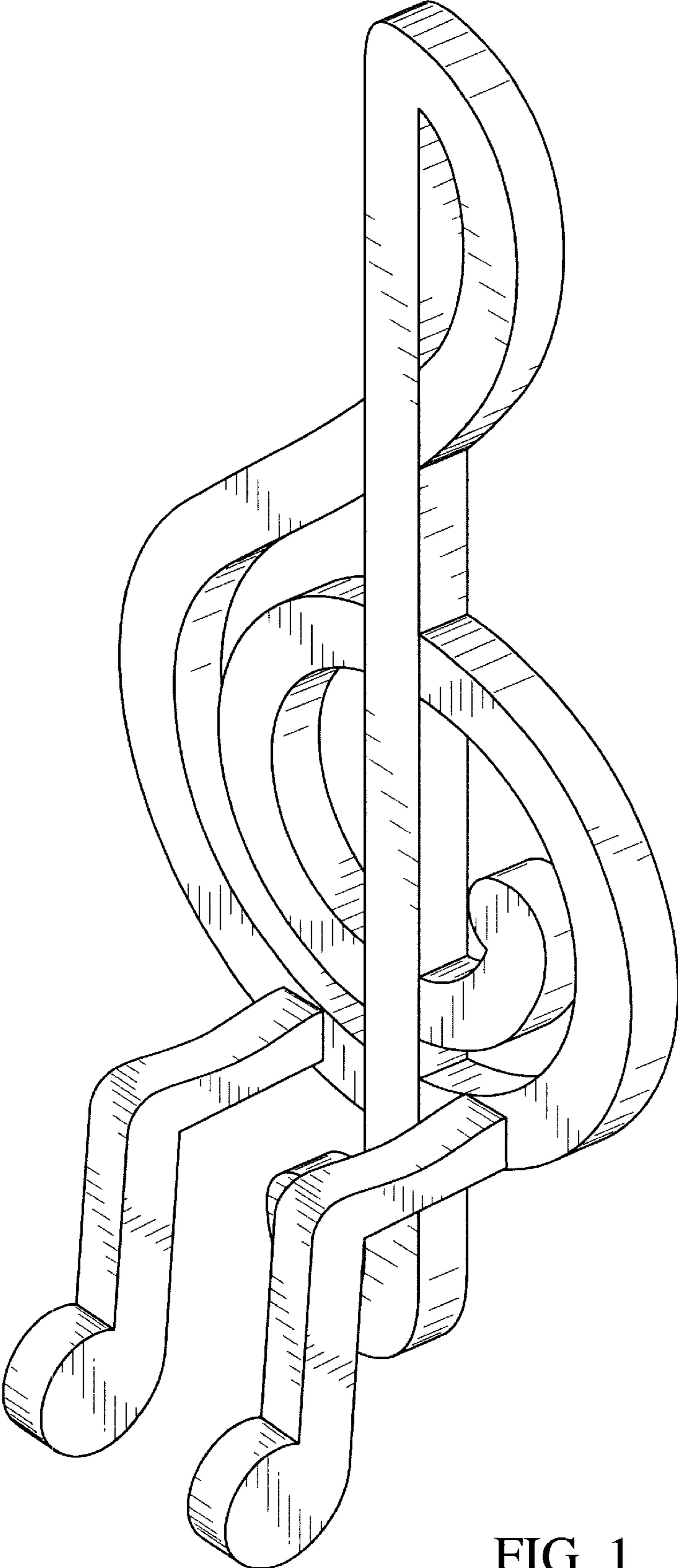


FIG. 1

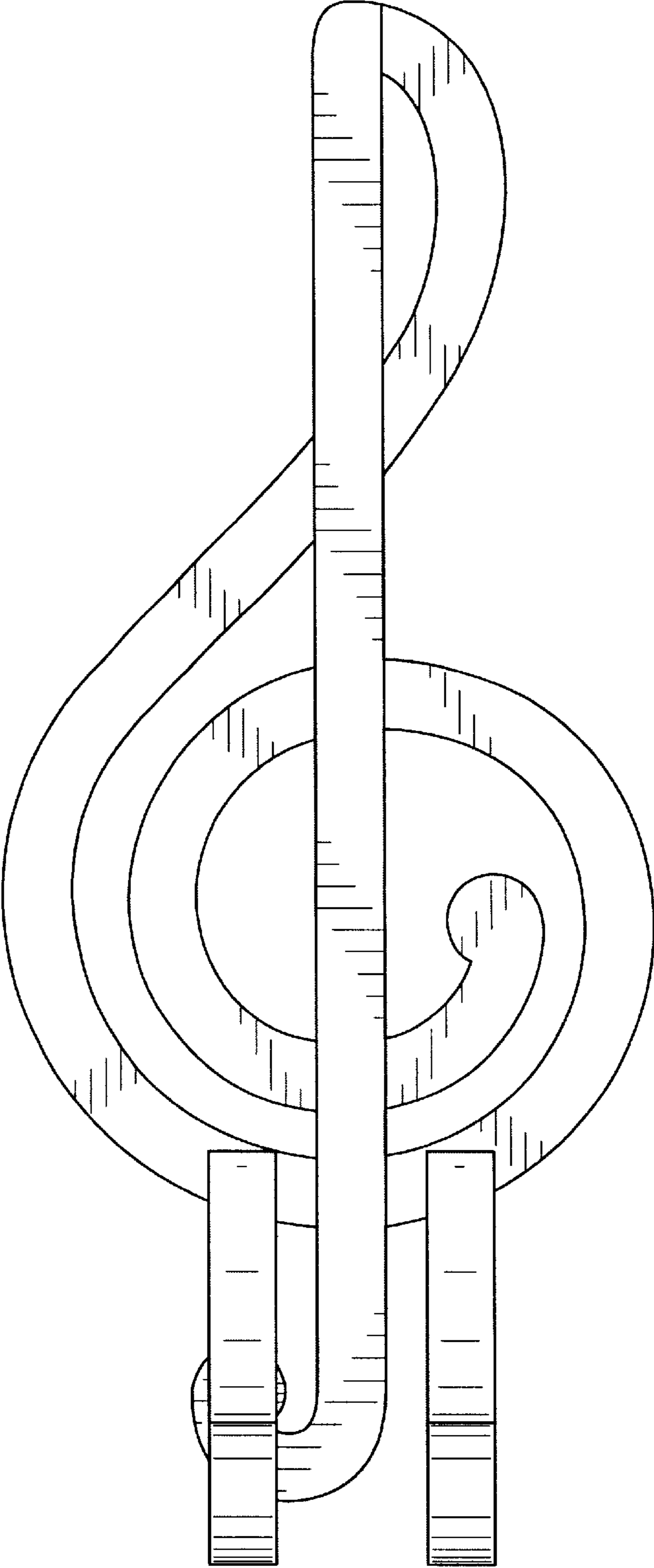


FIG. 2

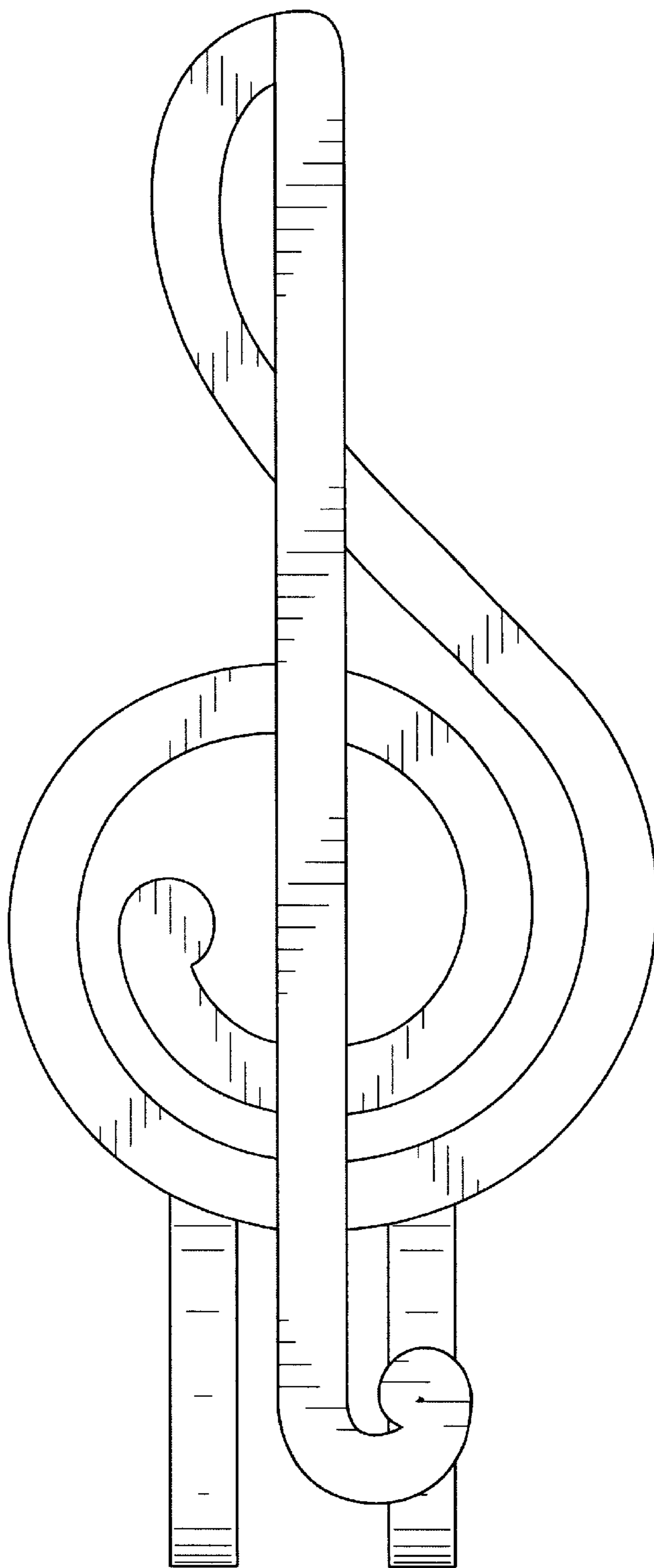


FIG. 3

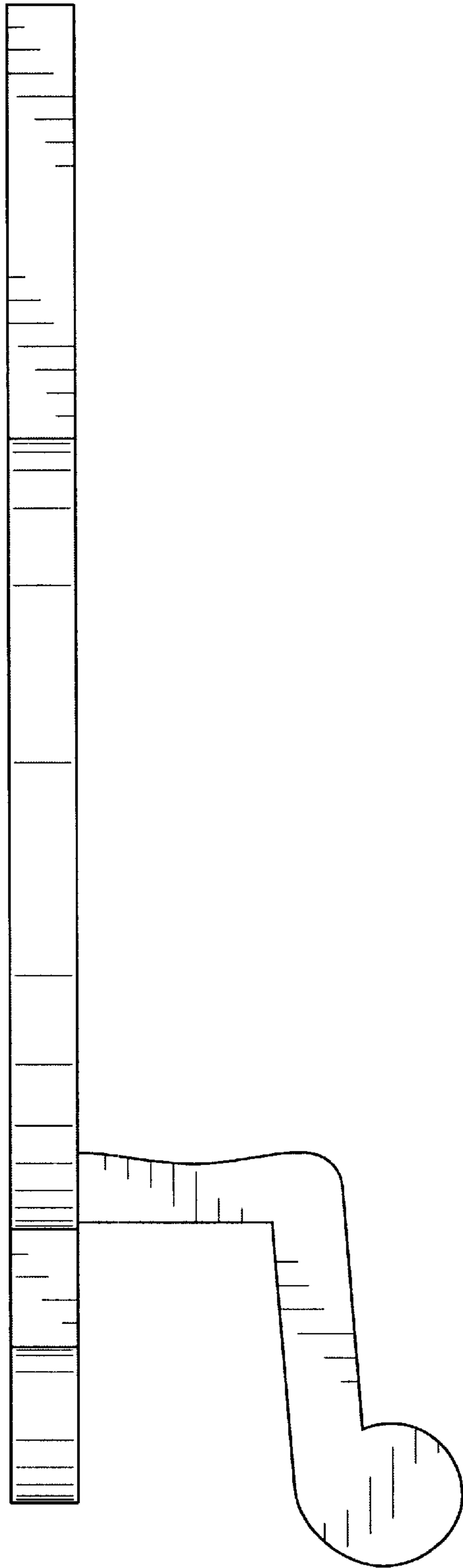


FIG. 4

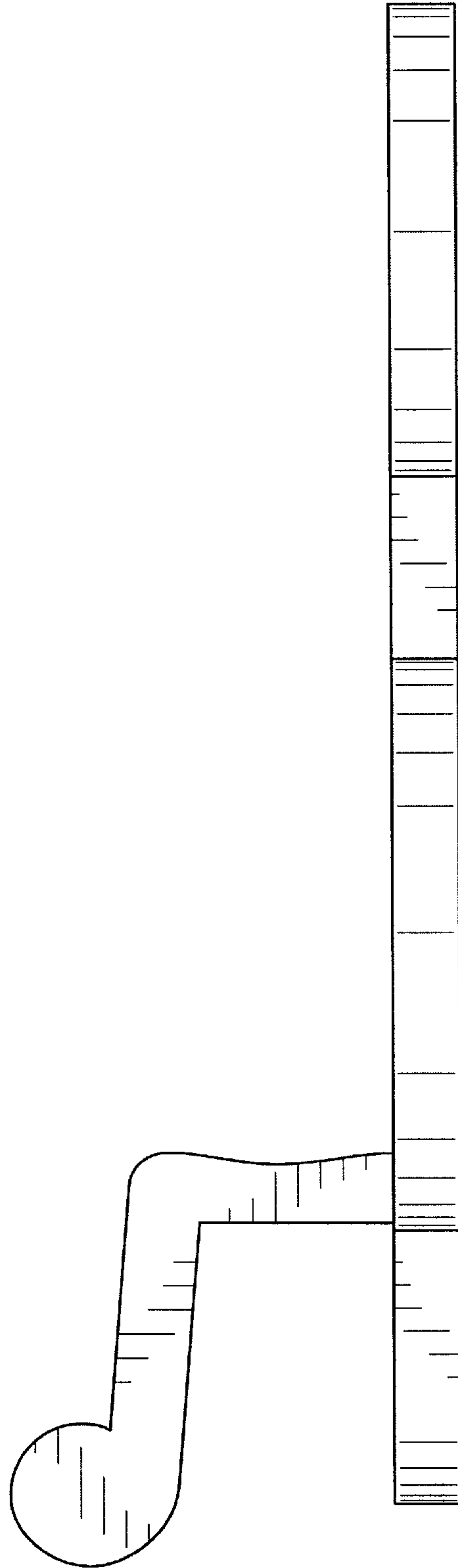


FIG. 5

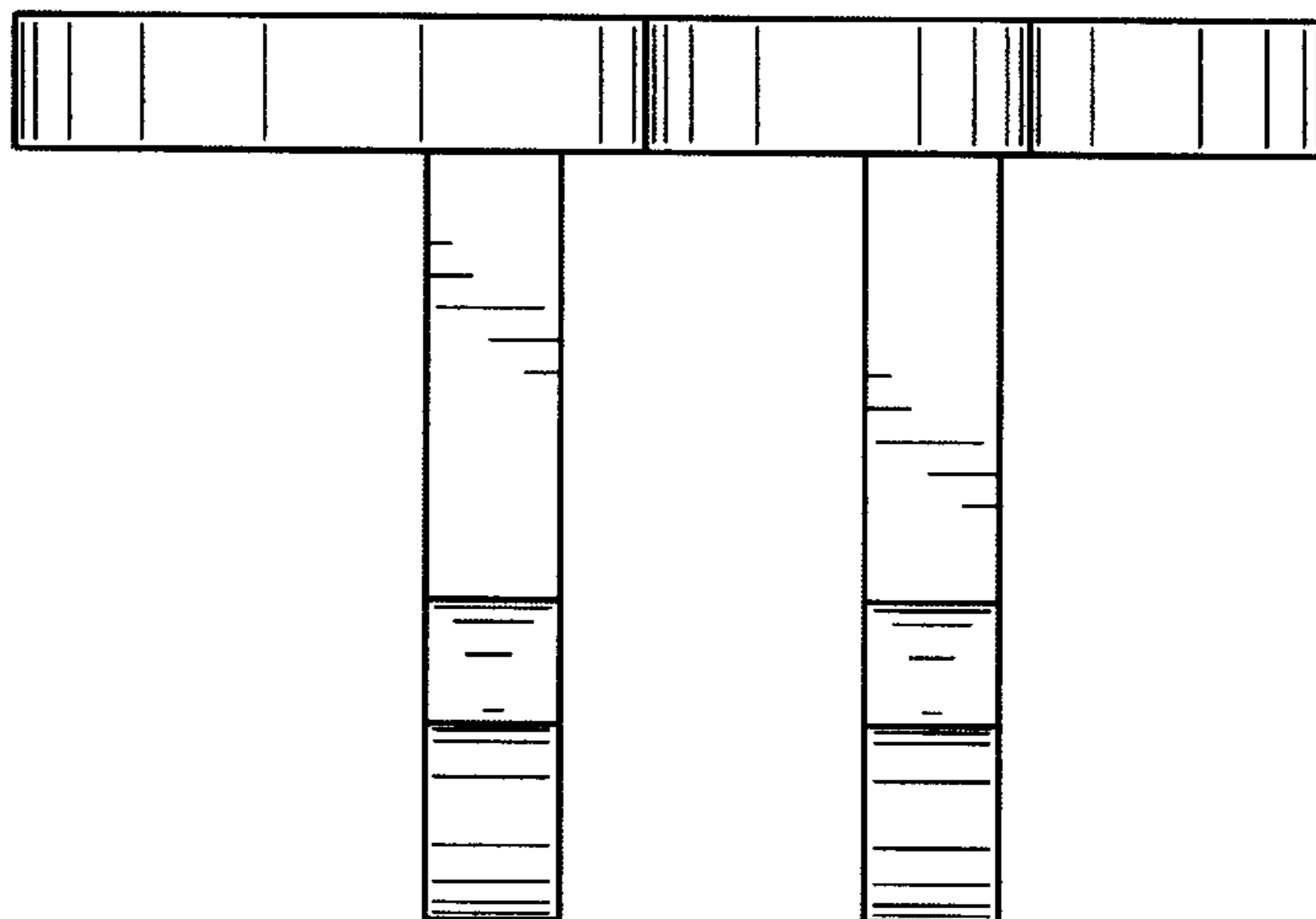


FIG. 6

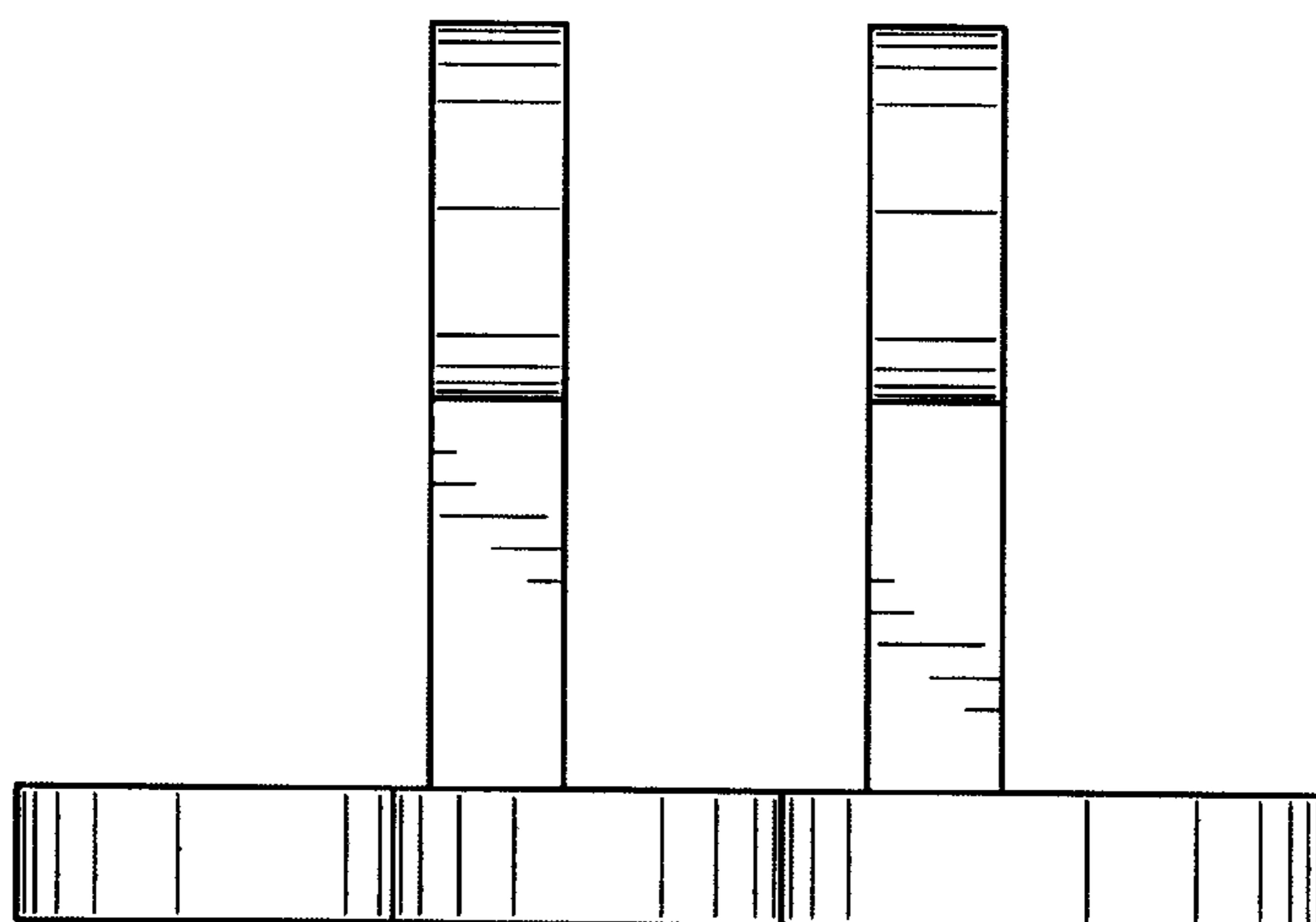


FIG. 7