



US00D543039S

(12) **United States Design Patent**
Hara

(10) **Patent No.:** **US D543,039 S**

(45) **Date of Patent:** **** May 22, 2007**

(54) **CHAIR**

(75) Inventor: **Eisuke Hara**, Yokohama (JP)

(73) Assignee: **Okamura Corporation** (JP)

(**) Term: **14 Years**

(21) Appl. No.: **29/246,575**

(22) Filed: **Apr. 25, 2006**

(30) **Foreign Application Priority Data**

Nov. 10, 2005 (JP) 2005-033040

(51) **LOC (8) Cl.** **06-01**

(52) **U.S. Cl.** **D6/366**

(58) **Field of Classification Search** D6/334-336,
D6/364, 365, 366, 367, 498, 500-502; 297/391,
297/396, 411.2, 411.27, 452.29, 452.3; 248/188.7
See application file for complete search history.

(56) **References Cited**

U.S. PATENT DOCUMENTS

D370,789 S	*	6/1996	Groulx	D6/366
D435,976 S	*	1/2001	Deacon	D6/366
D444,309 S	*	7/2001	Nagamitsu	D6/366
D456,625 S	*	5/2002	Frenkler et al.	D6/366
D476,493 S	*	7/2003	Nagamitsu	D6/366

D476,820 S	*	7/2003	Nagamitsu	D6/366
D488,313 S	*	4/2004	Seiler	D6/366
D509,969 S	*	9/2005	Loew et al.	D6/366
D523,252 S	*	6/2006	Rodriguez Leitao	D6/366
D531,830 S	*	11/2006	Chen	D6/366

* cited by examiner

Primary Examiner—Mimosa De

(57) **CLAIM**

The ornamental design for a chair, as shown and described.

DESCRIPTION

FIG. 1 is a front elevational view of a chair;
 FIG. 2 is a top plan view thereof;
 FIG. 3 is a rear elevational view thereof;
 FIG. 4 is a bottom plan view thereof;
 FIG. 5 is a left side elevational view thereof;
 FIG. 6 is a right side elevational view thereof;
 FIG. 7 is a vertical sectional view taken along the line A—A in FIG. 1;
 FIG. 8 is a horizontal sectional view taken along the line B—B in FIG. 1;
 FIG. 9 is a horizontal sectional view taken along the line C—C in FIG. 1;
 FIG. 10 is a front perspective view thereof; and,
 FIG. 11 is a rear perspective view thereof.

1 Claim, 6 Drawing Sheets

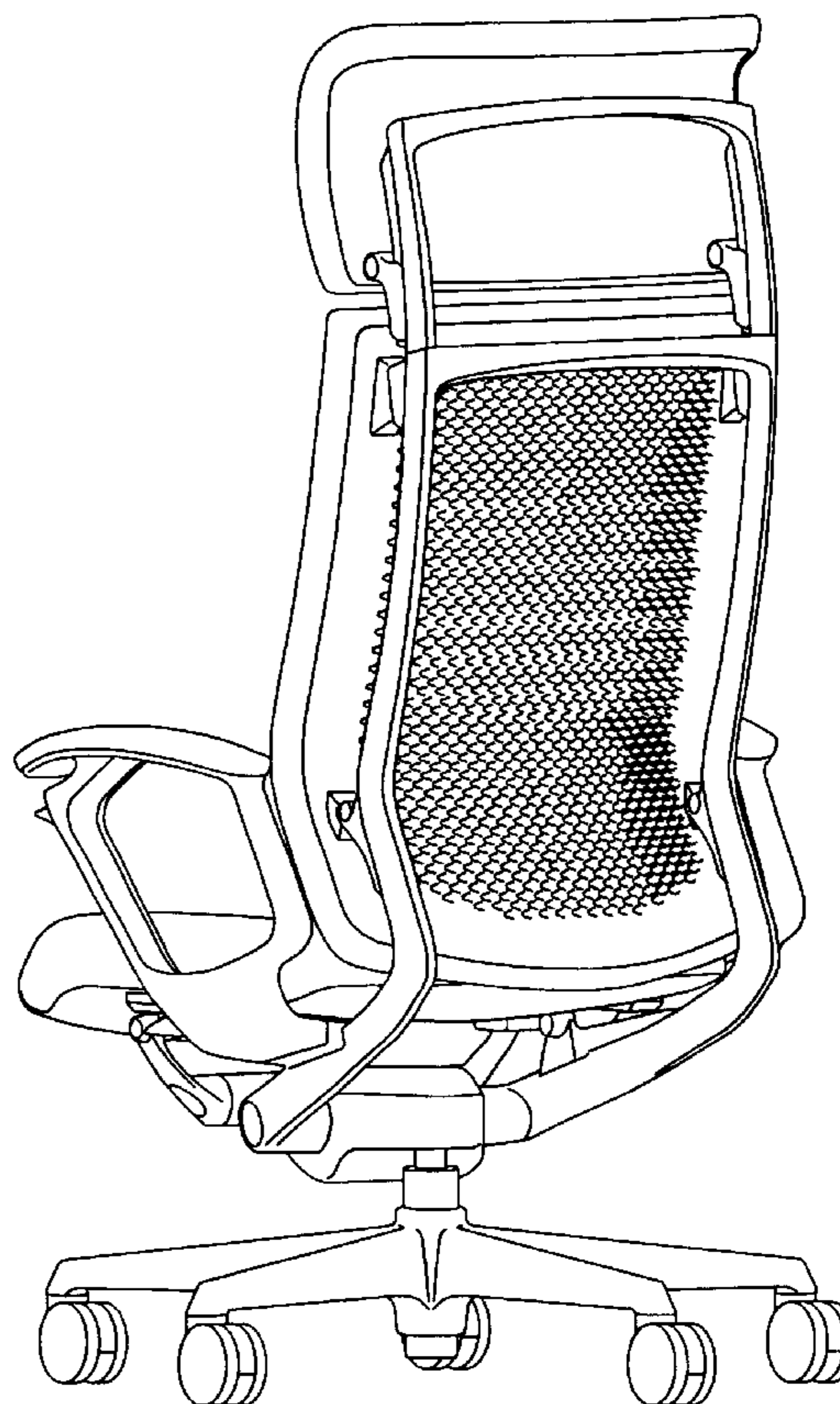
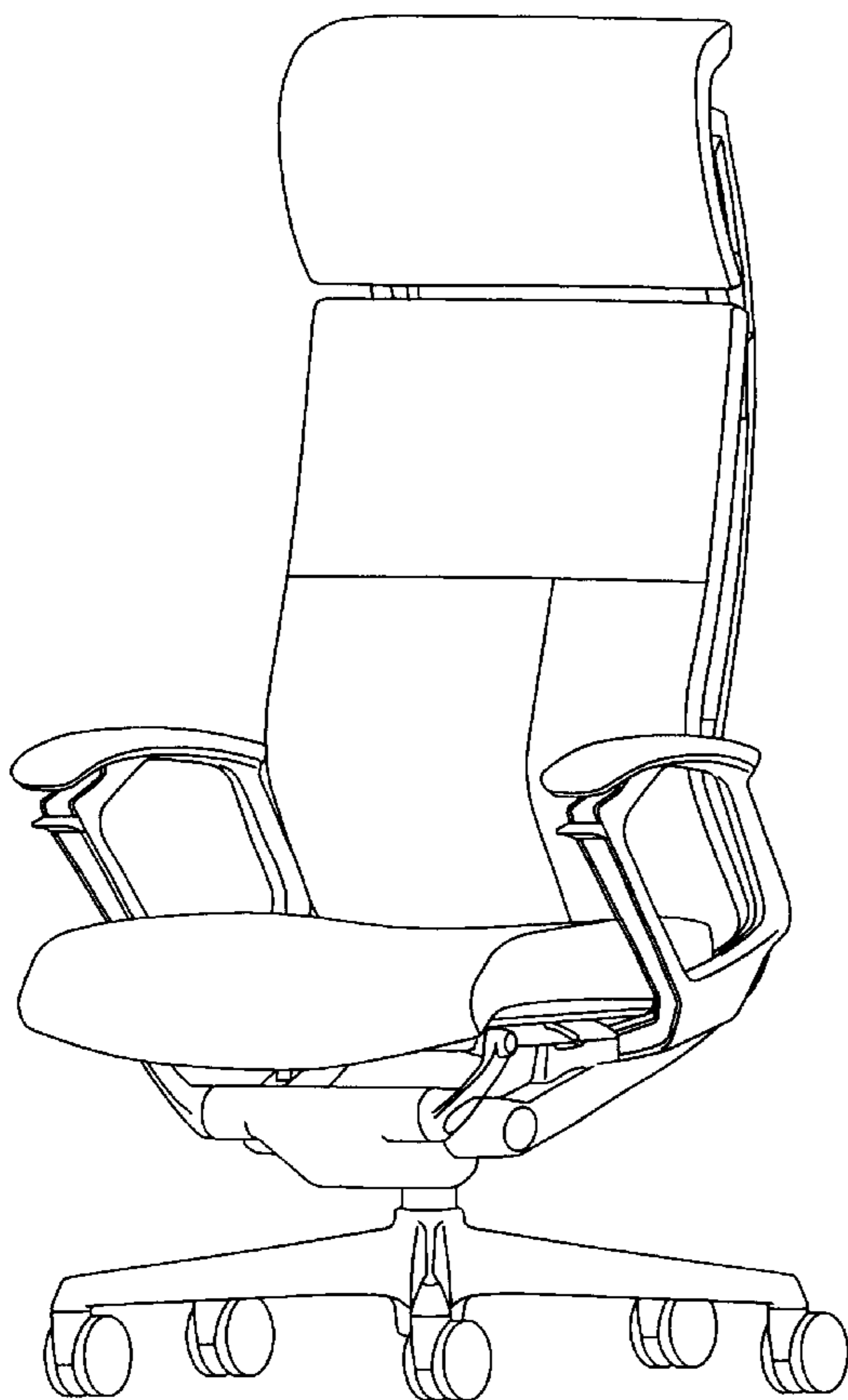


Fig.1

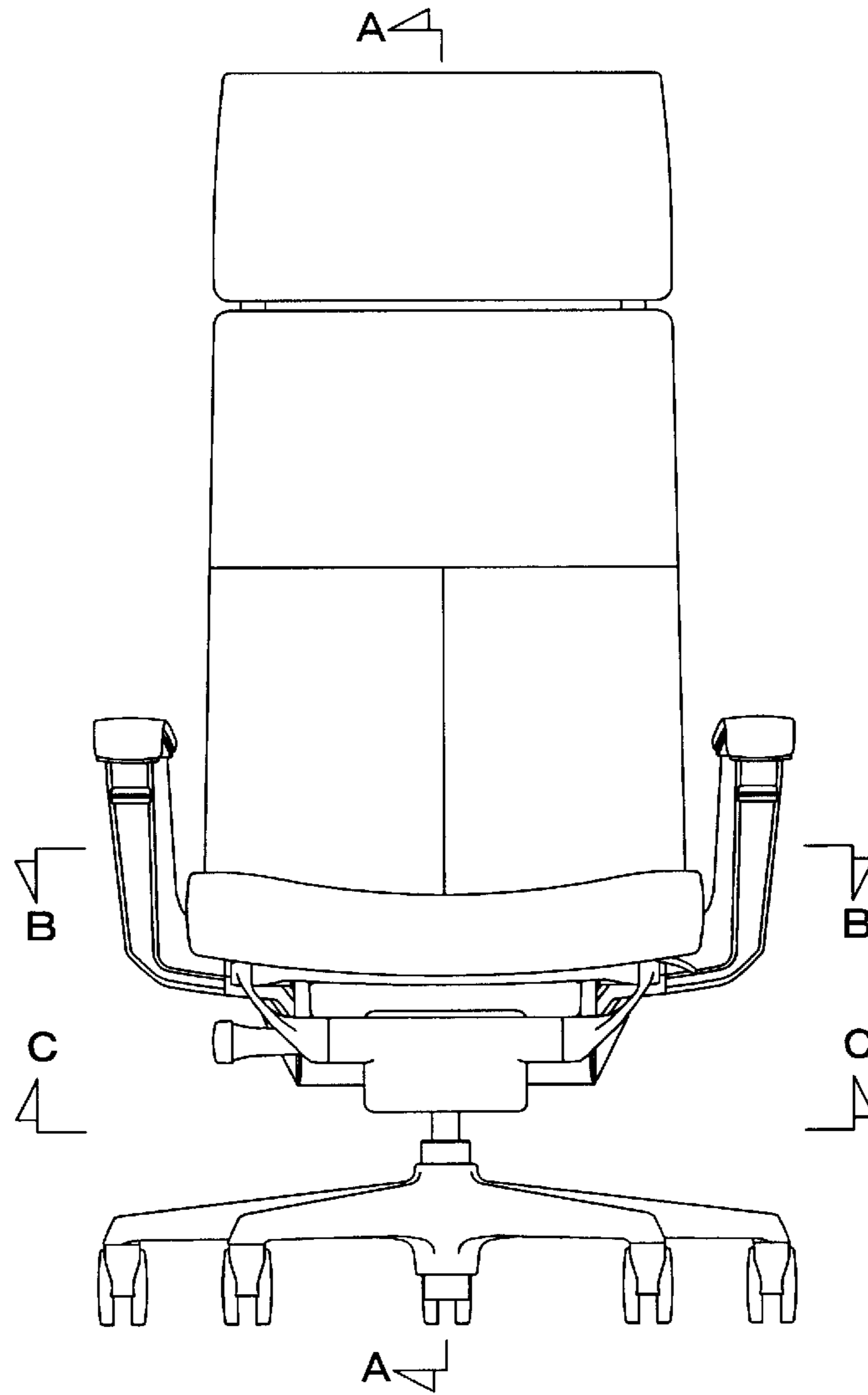


Fig.2

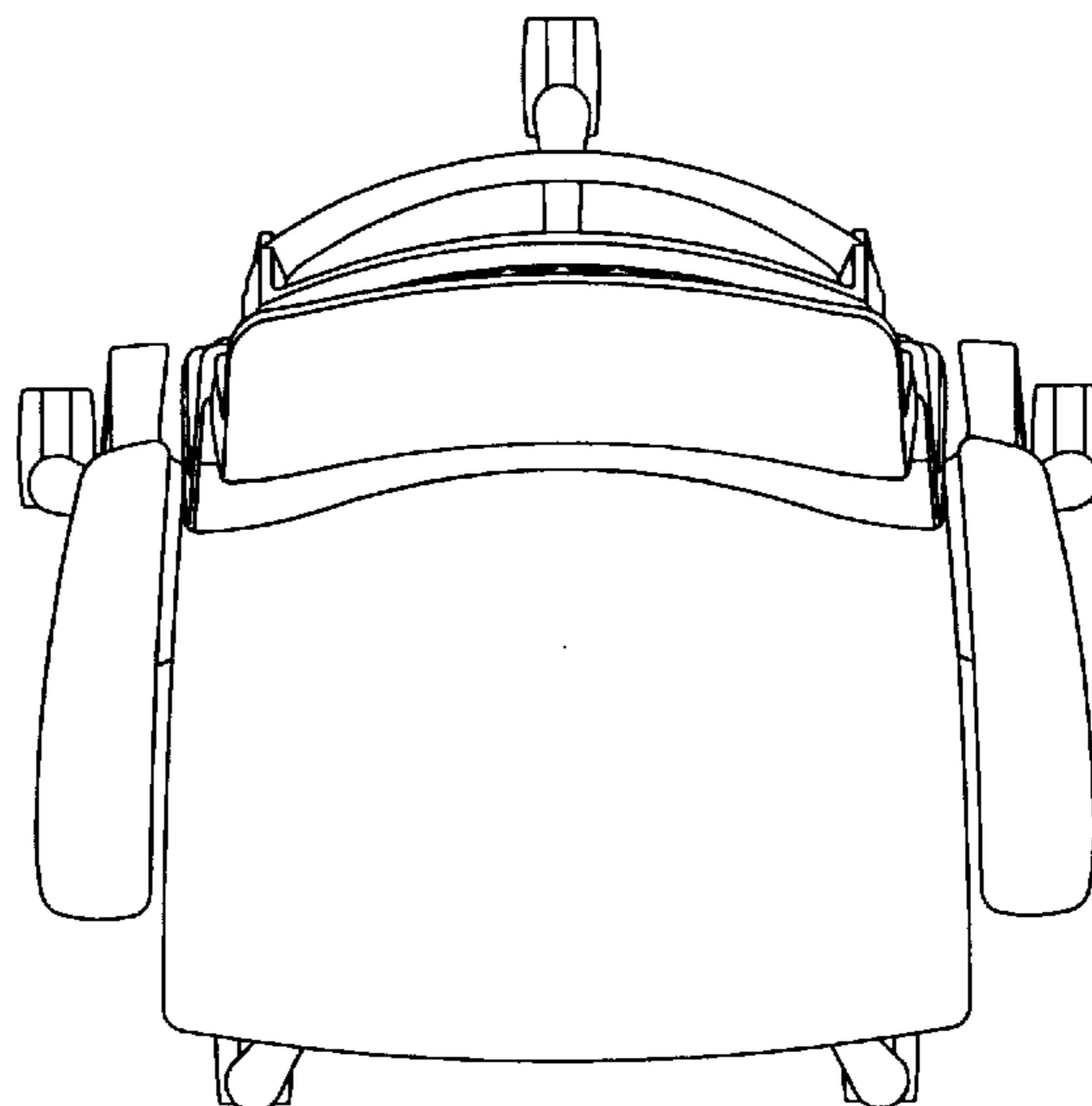


Fig.3

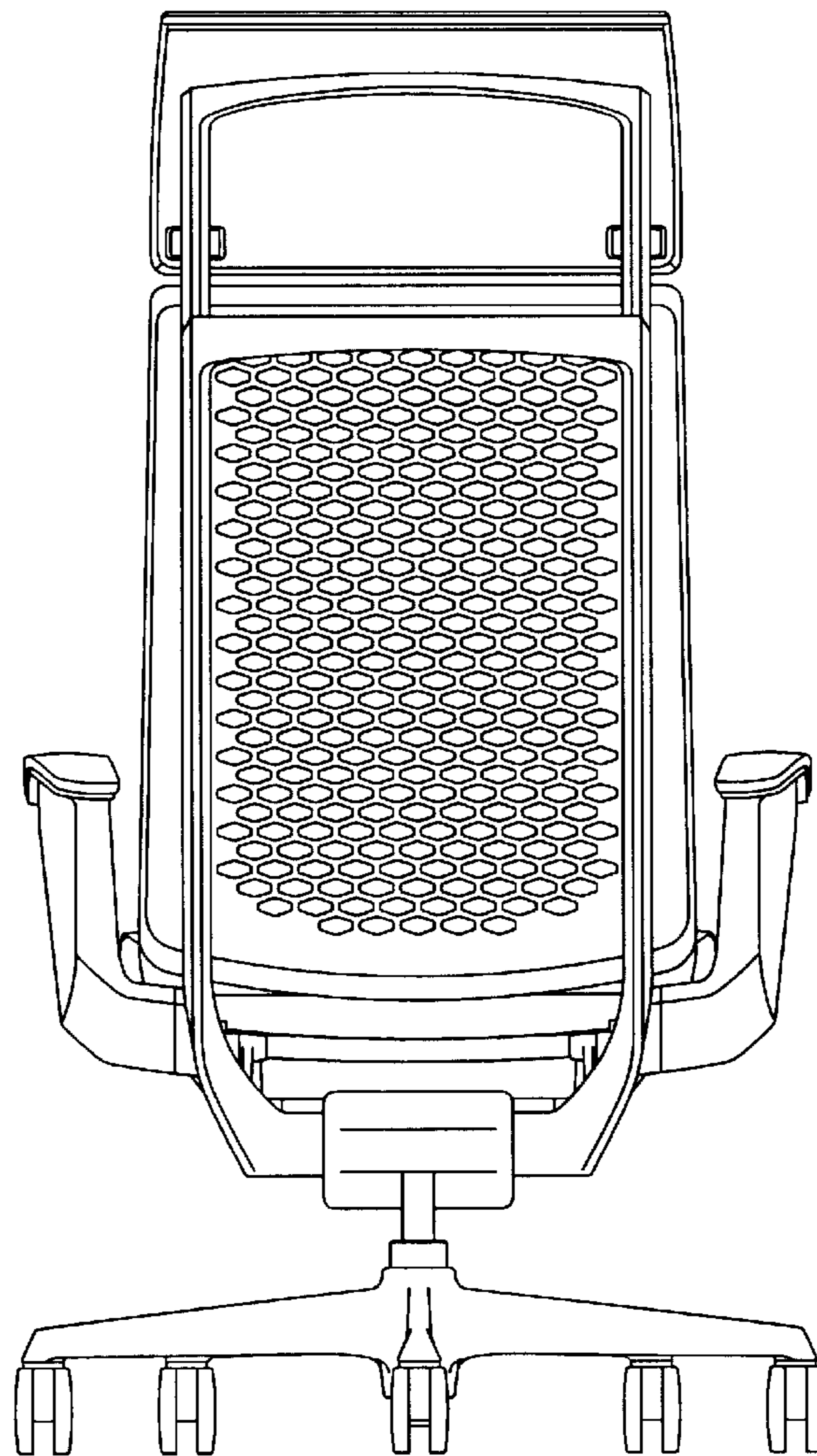


Fig.4

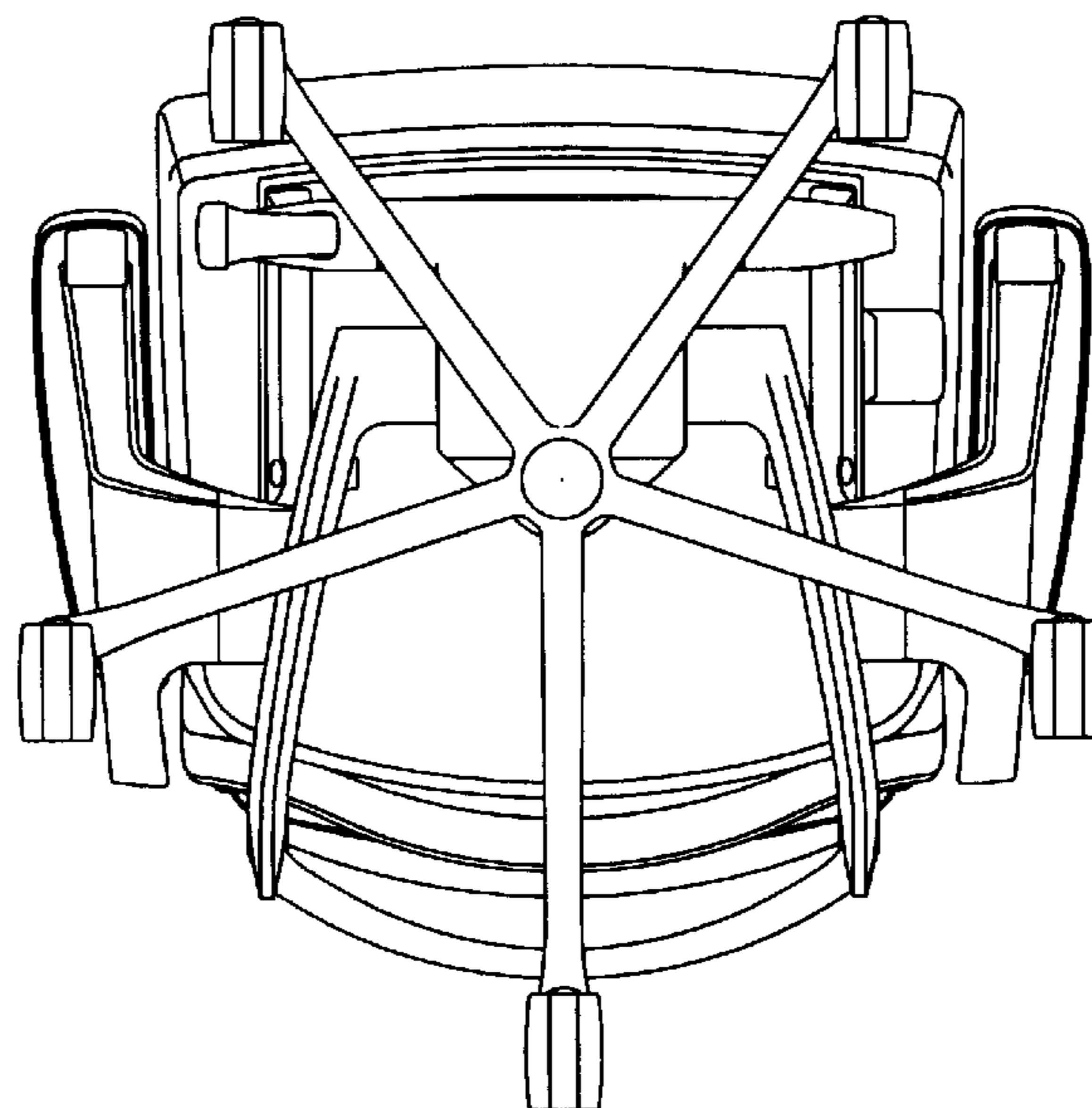


Fig.5

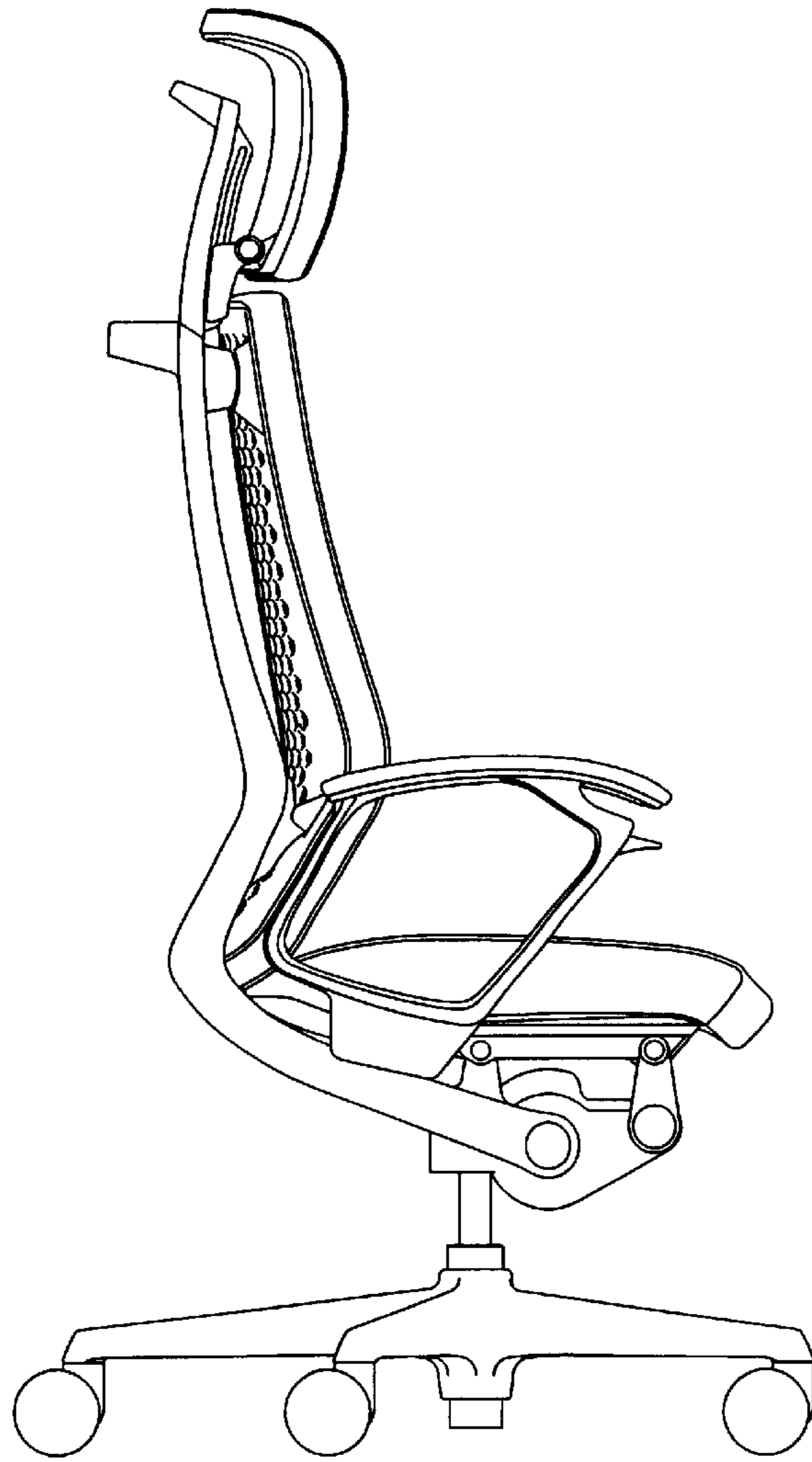


Fig.6

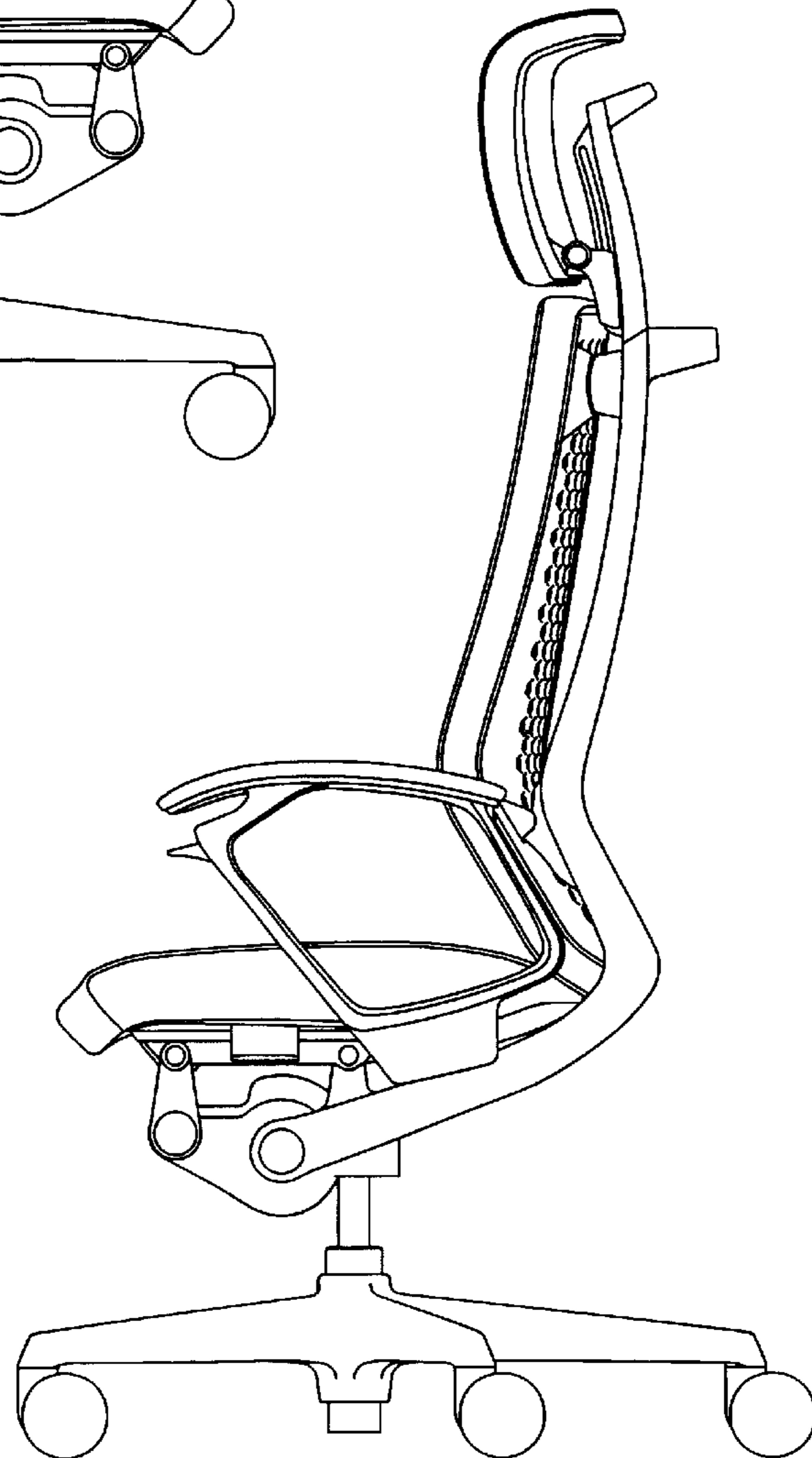


Fig.7

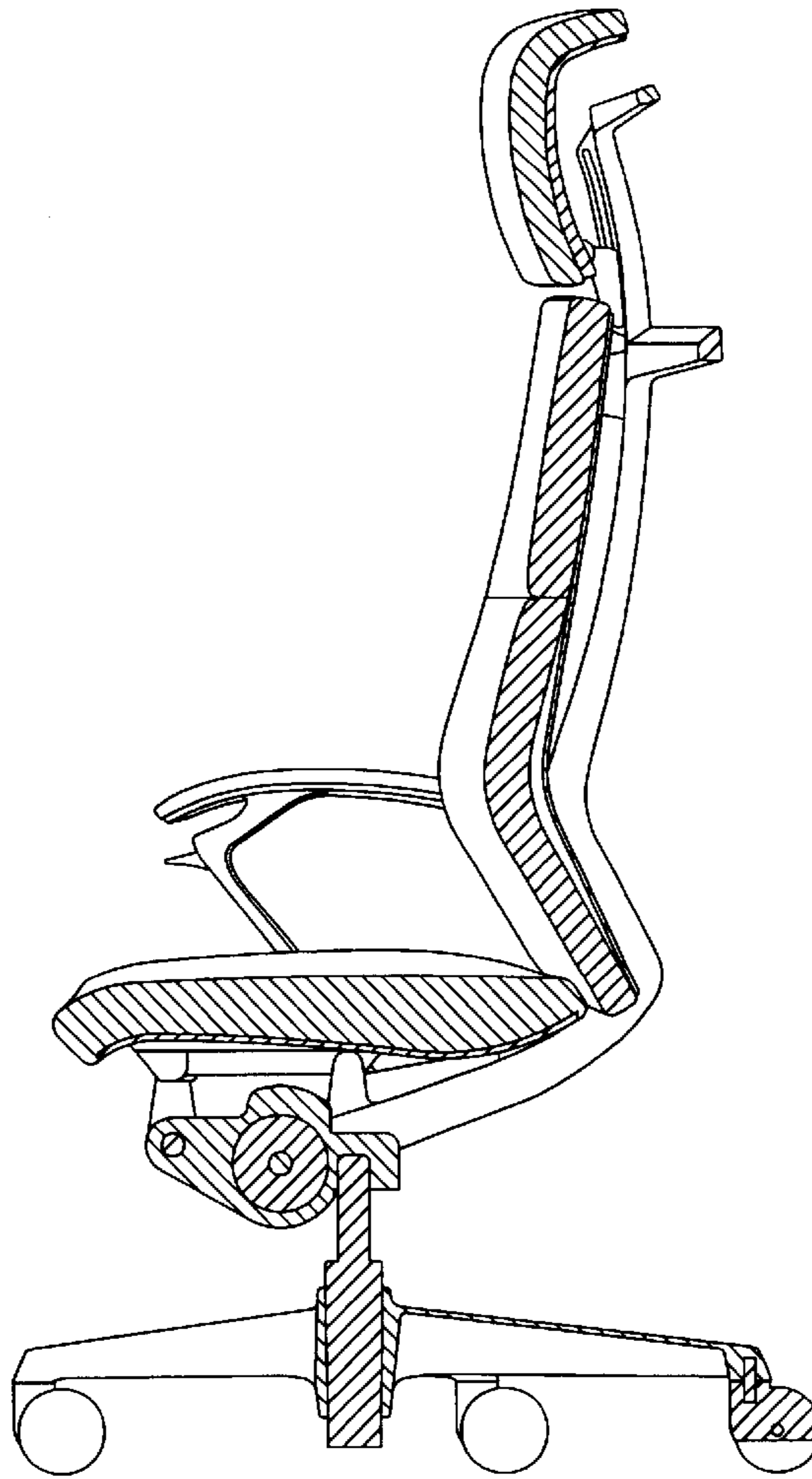


Fig.8

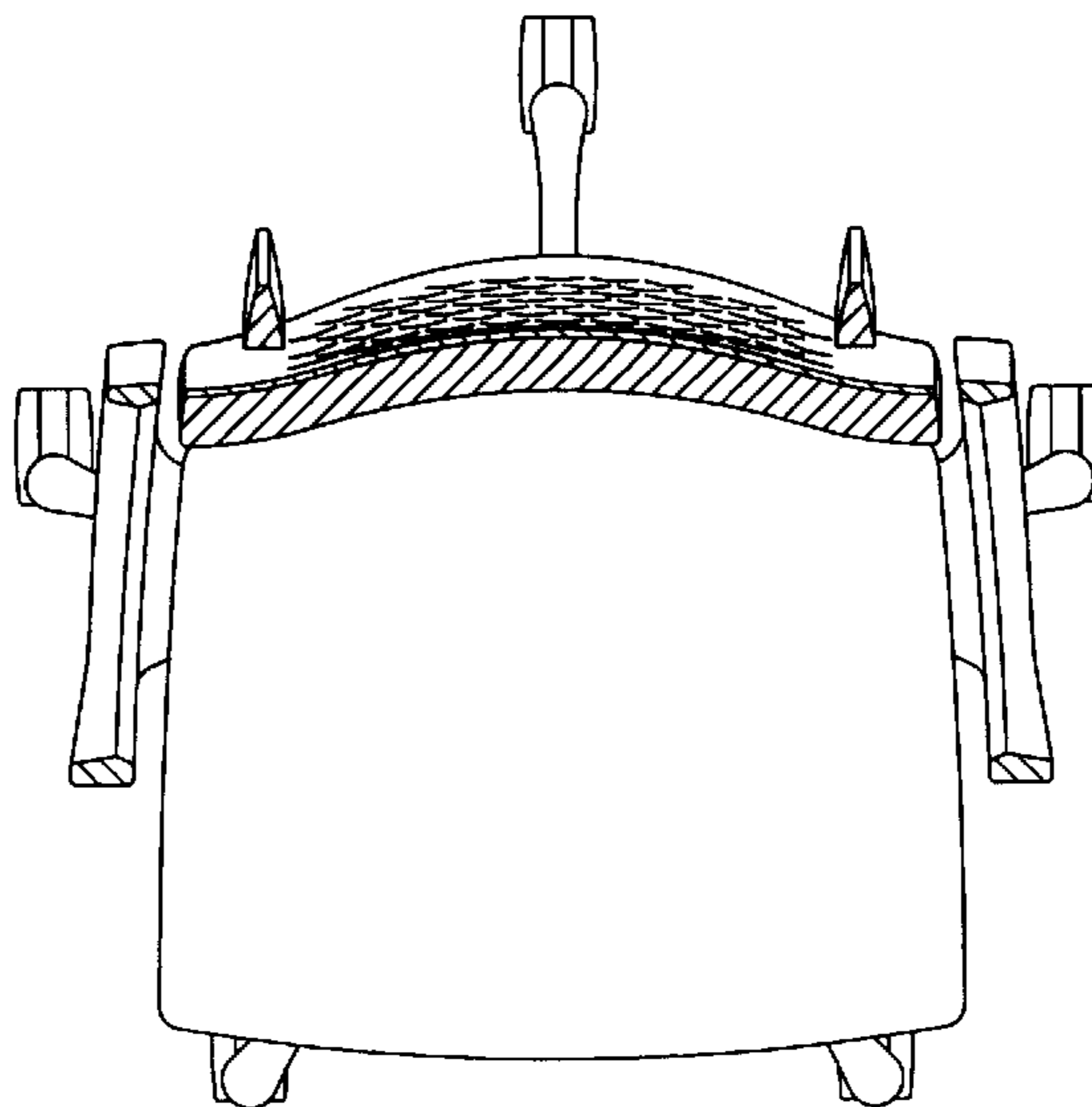


Fig.9

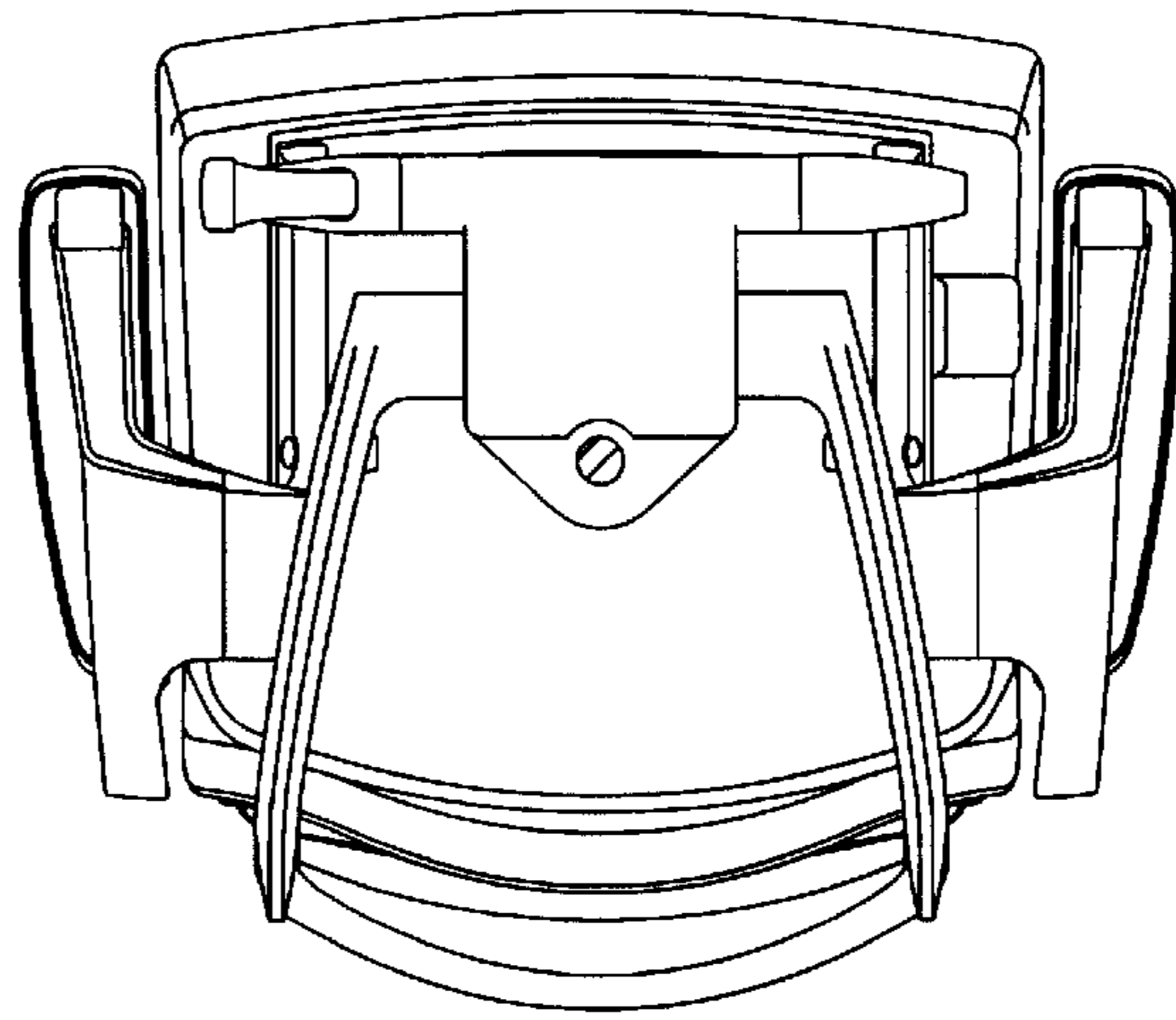


Fig.10

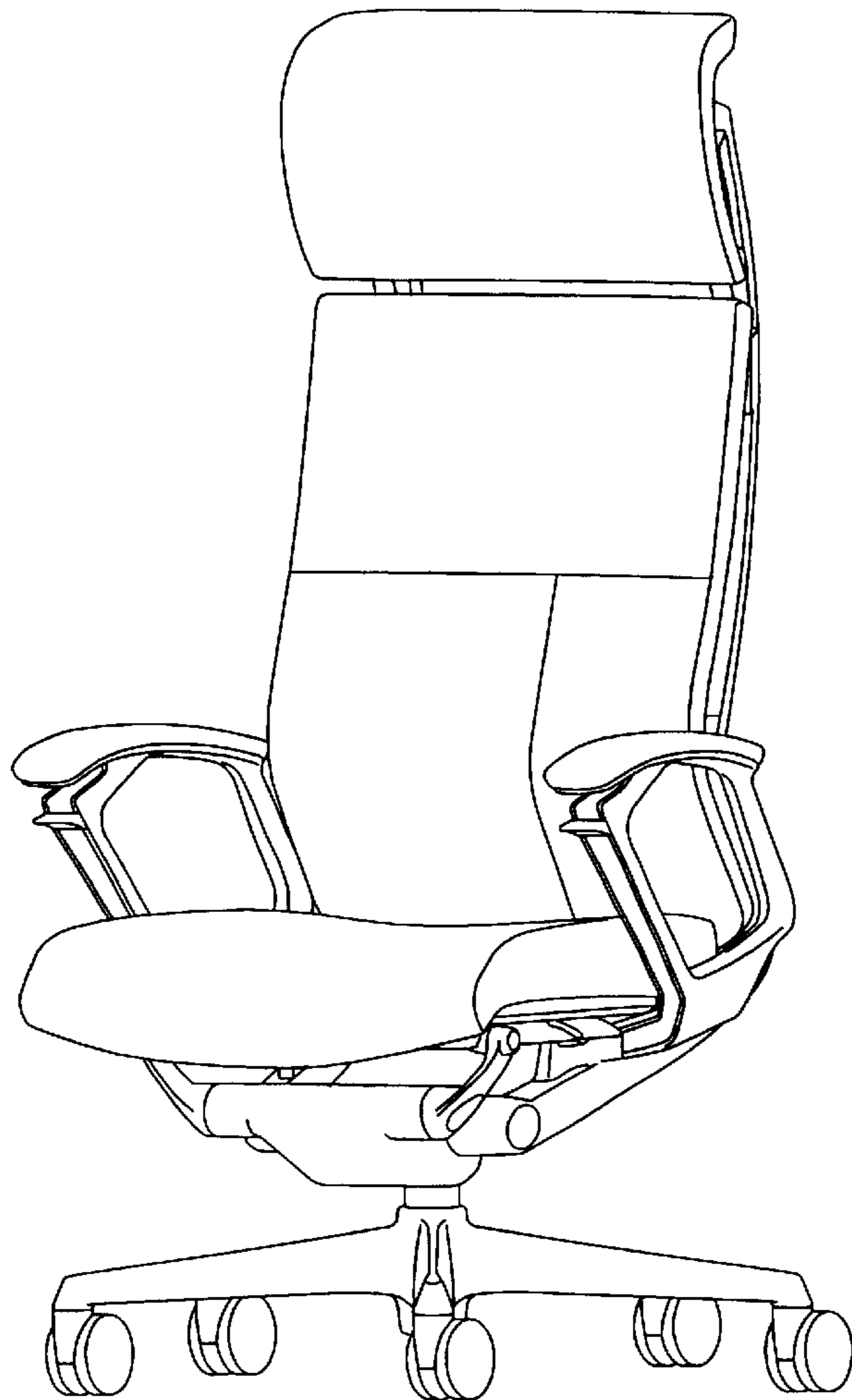


Fig.11

