

US00D543037S

(12) **United States Design Patent**
Freedman

(10) **Patent No.:** **US D543,037 S**

(45) **Date of Patent:** **** *May 22, 2007**

(54) **PLAY PEN**

(76) Inventor: **Renay Freedman**, 1 Vista La., Glen Head, NY (US) 11545

(*) Notice: This patent is subject to a terminal disclaimer.

(**) Term: **14 Years**

(21) Appl. No.: **29/223,662**

(22) Filed: **Feb. 17, 2005**

(51) **LOC (8) Cl.** **06-01**

(52) **U.S. Cl.** **D6/331; D6/390; D6/604; D30/118**

(58) **Field of Classification Search** D6/390, D6/391, 331, 333, 601, 604; 5/93.1, 93.2, 5/99.1, 101, 97, 98.1, 655, 655.3; D30/118
See application file for complete search history.

(56) **References Cited**

U.S. PATENT DOCUMENTS

D107,520 S * 12/1937 Johnson D6/604
D178,113 S * 6/1956 Chandler D6/331

D216,400 S * 12/1969 Schwertley D30/118
D239,395 S * 3/1976 David D30/118
4,980,937 A * 1/1991 Mason et al. 5/655
D330,139 S * 10/1992 Bloom D6/596
D386,832 S * 11/1997 McAlister D30/118
D394,978 S * 6/1998 Smith D6/604
6,182,308 B1 * 2/2001 Yang 5/93.1
D506,038 S * 6/2005 Lamstein D30/118

* cited by examiner

Primary Examiner—Janice E. Seeger

(74) *Attorney, Agent, or Firm*—Dickstein, Shapiro, Morin & Oshinsky, LLP.

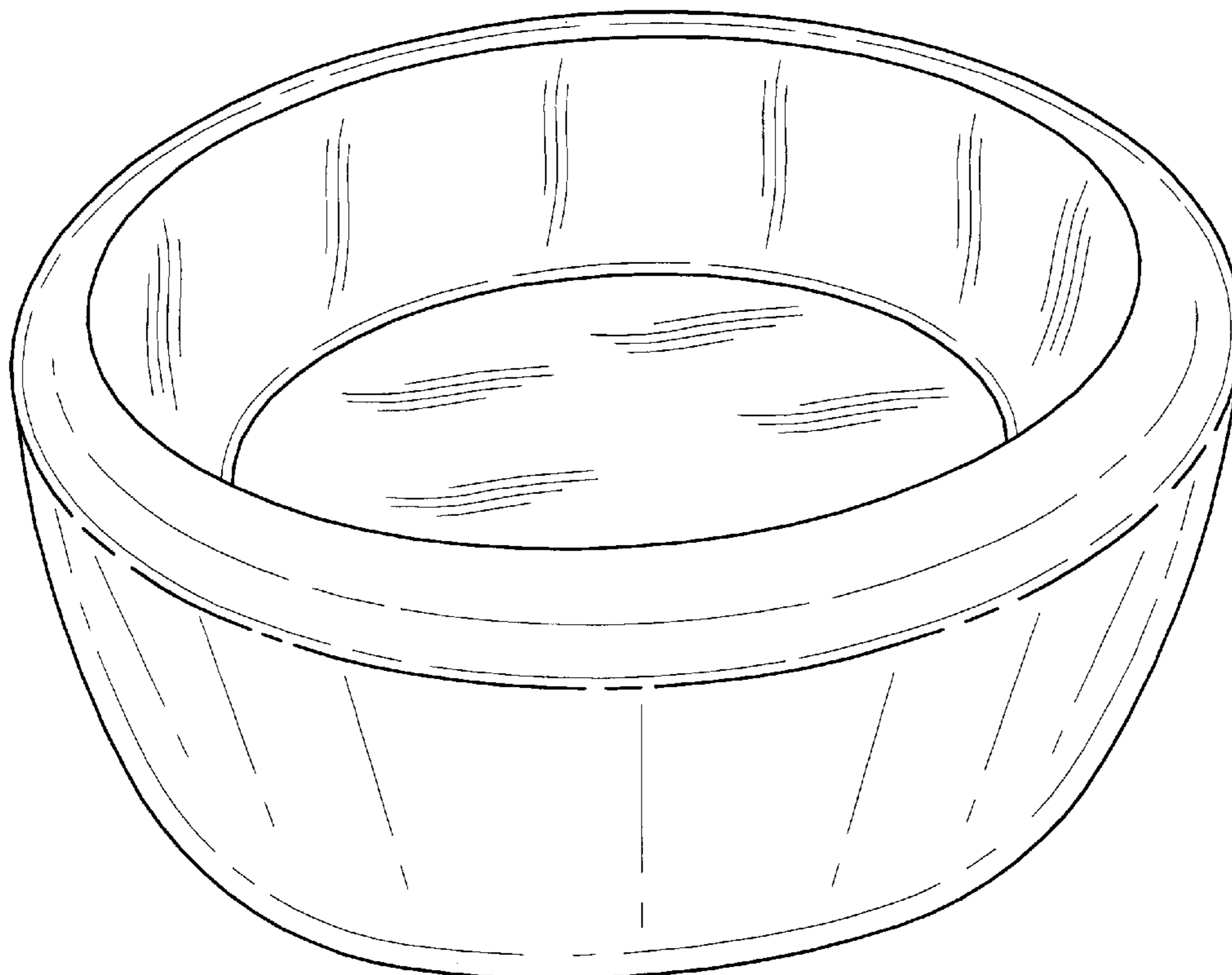
(57) **CLAIM**

The ornamental design for an play pen, as shown and described.

DESCRIPTION

FIG. 1 is a perspective view of the top of the invention; FIG. 2 is a perspective view of the bottom of the invention; FIG. 3 is a detail view of the bottom of the invention; and, FIG. 4 is a perspective view of the bottom of the invention.

1 Claim, 4 Drawing Sheets



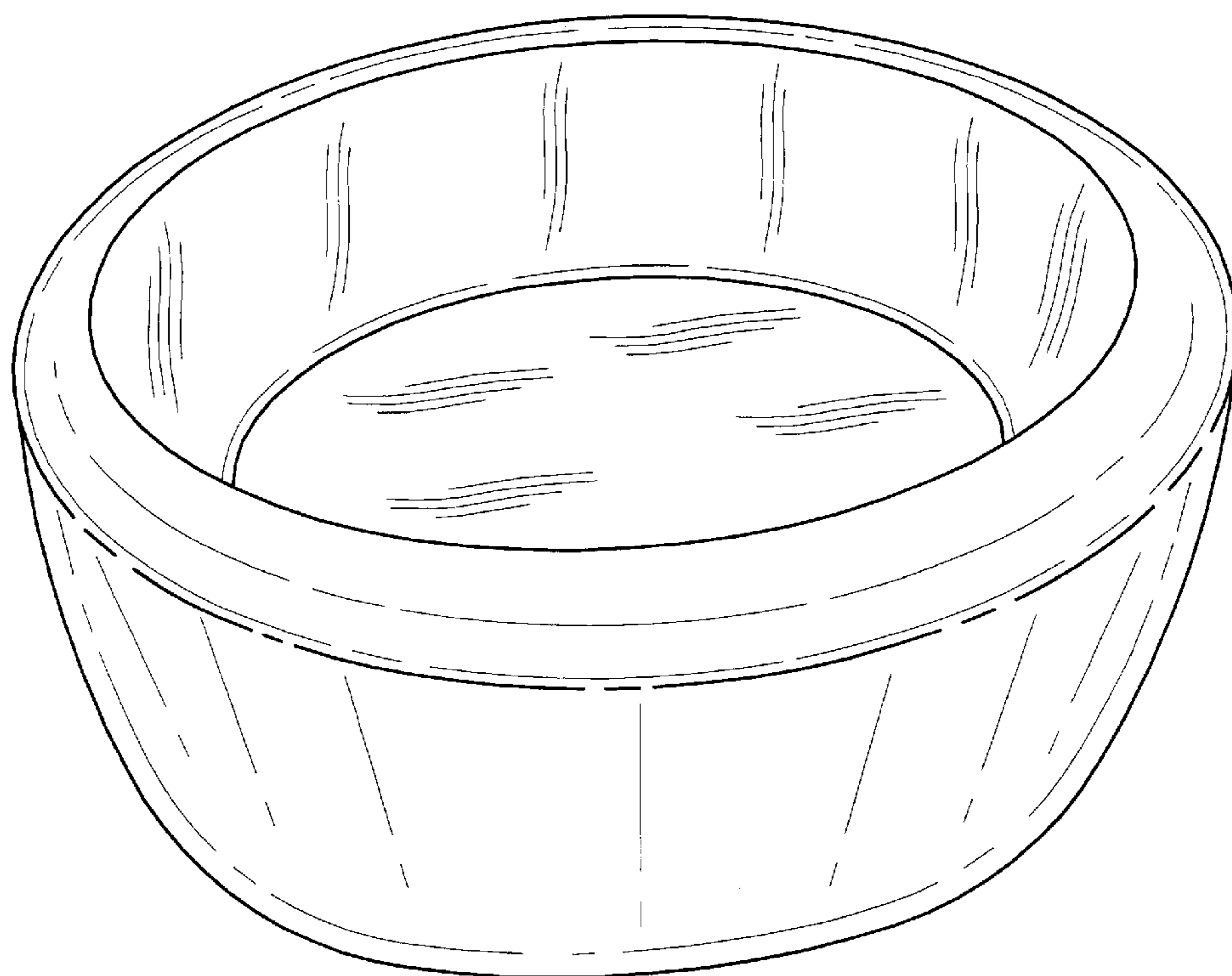


FIG. 1

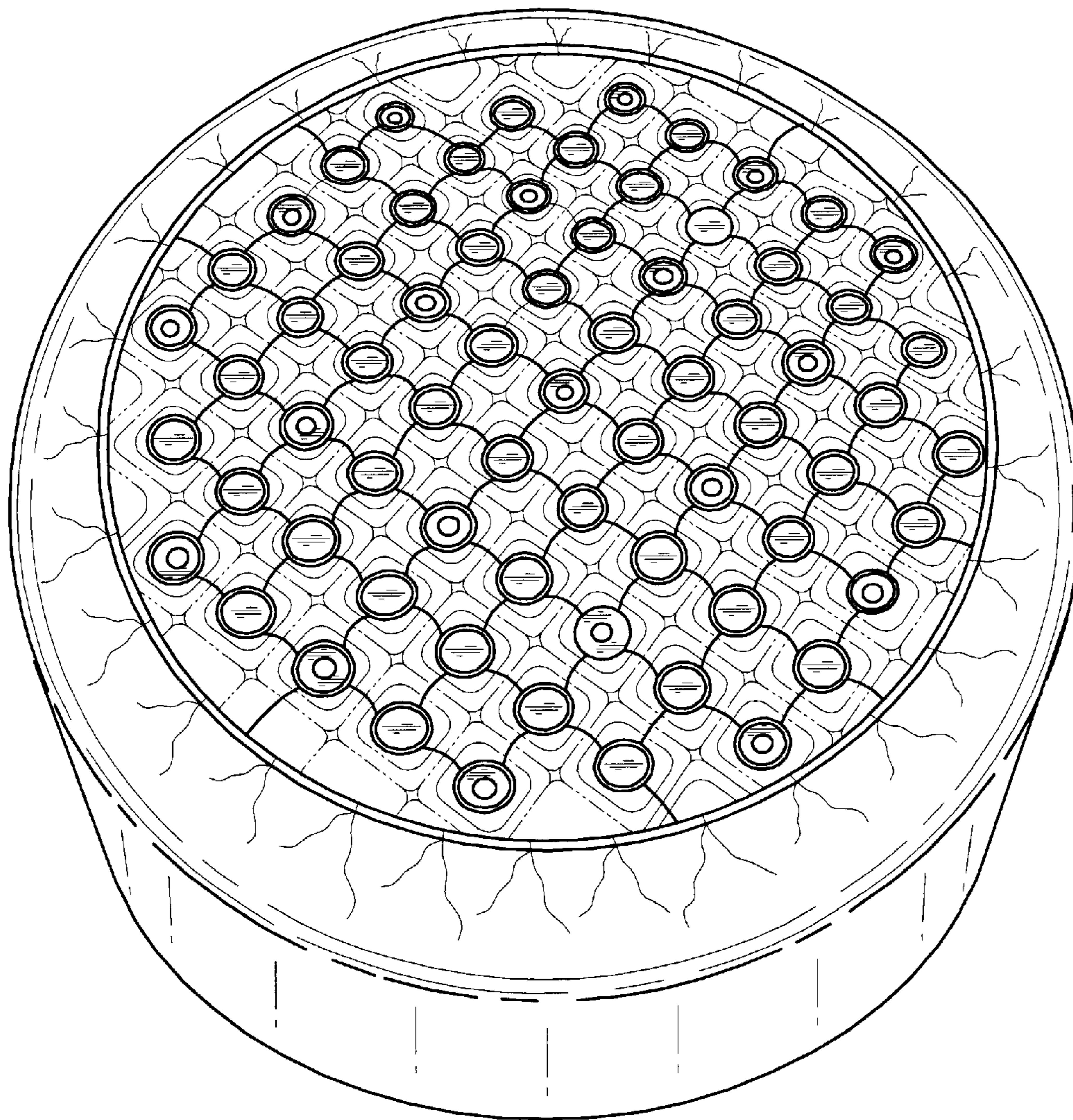


FIG. 2

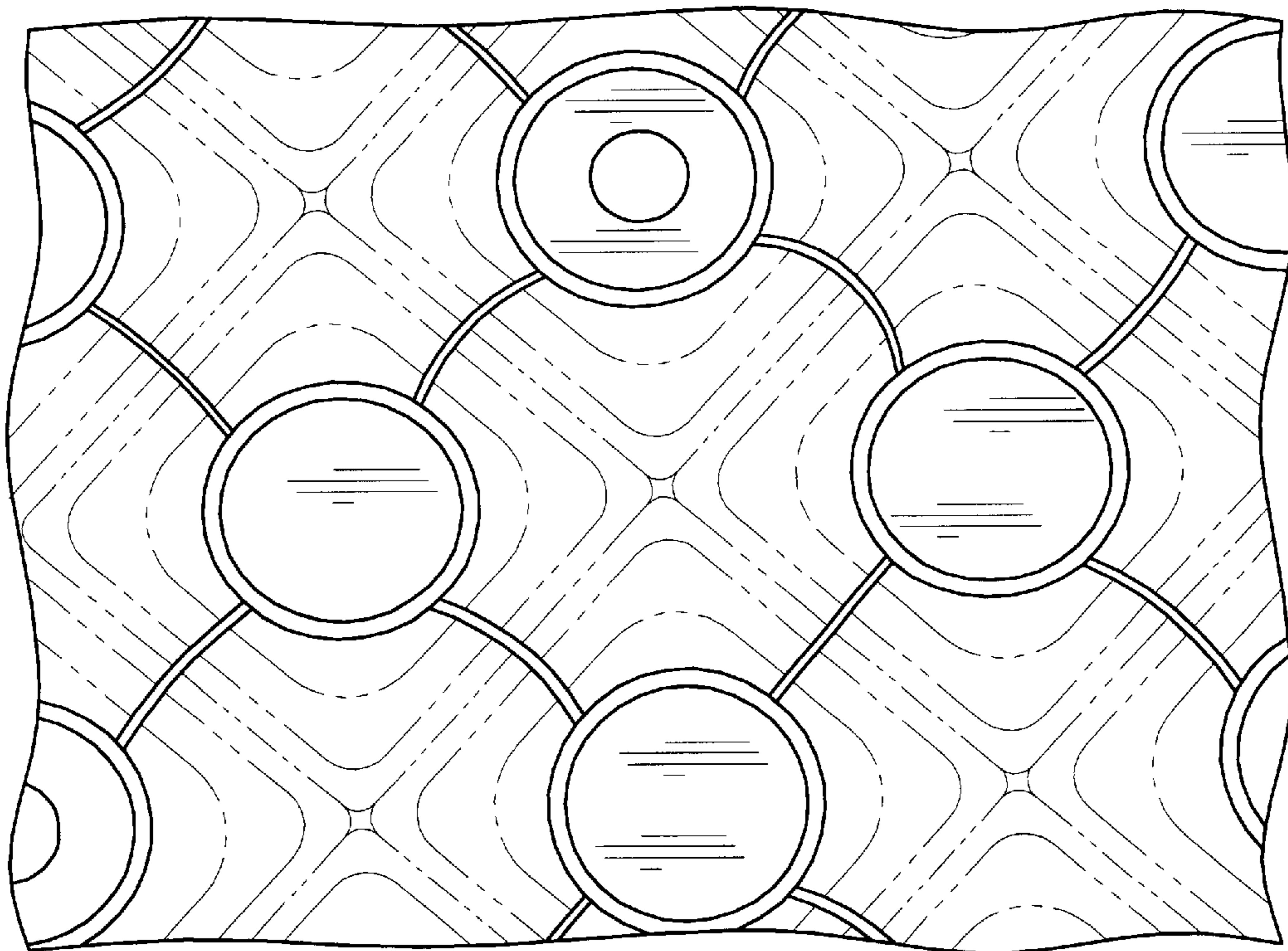


FIG. 3

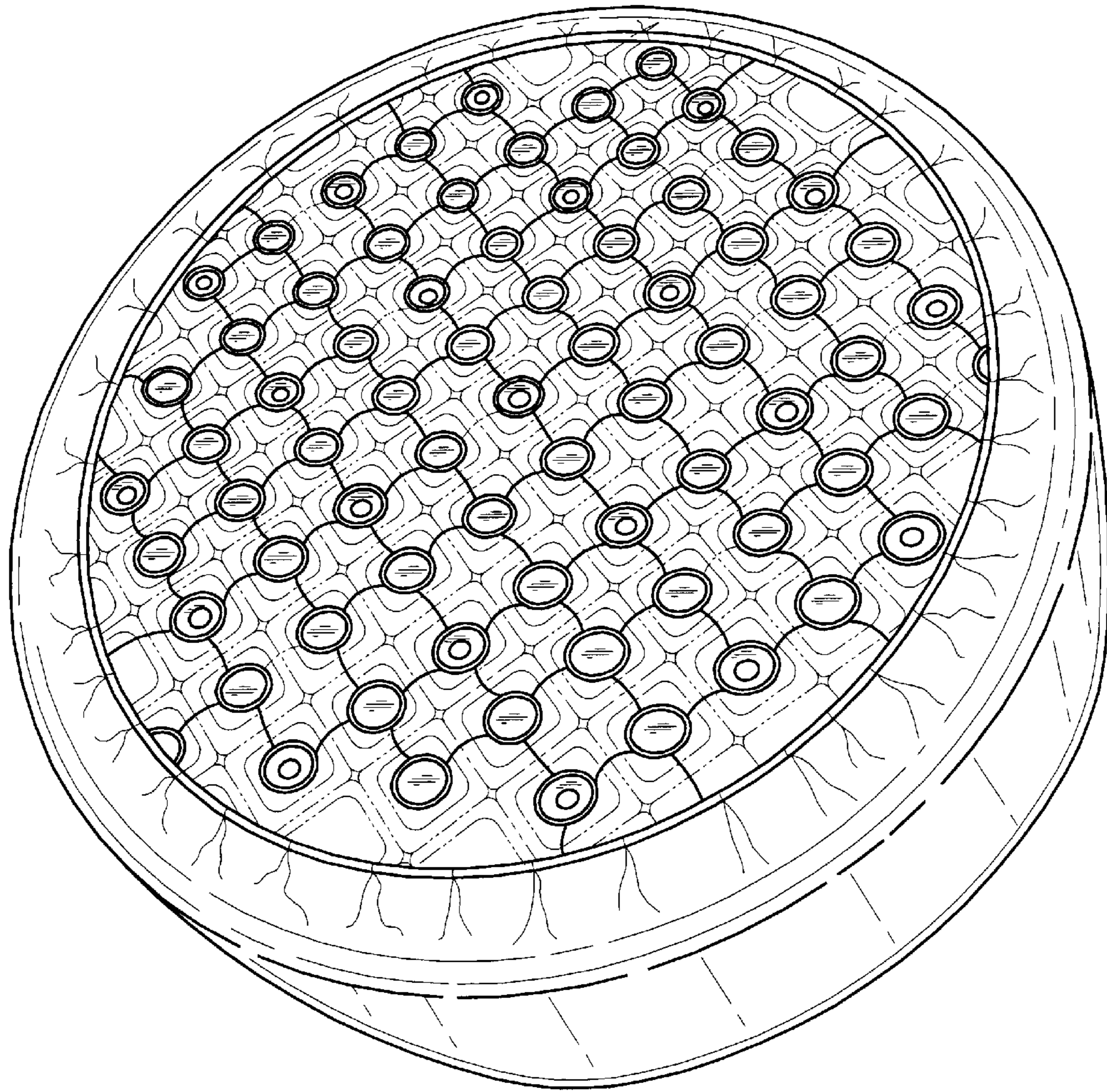


FIG. 4