



US00D543033S

(12) **United States Design Patent**
Carbone

(10) **Patent No.:** **US D543,033 S**

(45) **Date of Patent:** **** May 22, 2007**

(54) **MODULAR TOOL STORAGE DRAWER**

(75) Inventor: **Nicola Carbone**, Marano Vicentino (IT)

(73) Assignee: **Sogenex SpA**, Malo - VI (IT)

(**) Term: **14 Years**

(21) Appl. No.: **29/245,511**

(22) Filed: **Dec. 23, 2005**

Related U.S. Application Data

(62) Division of application No. 29/196,173, filed on Dec. 24, 2003, now Pat. No. 0,534,354.

(30) **Foreign Application Priority Data**

Jun. 26, 2003 (EM) 000 044 276-0001
Jun. 26, 2003 (EM) 000 044 276-0002

(51) **LOC (8) Cl.** **03-01**

(52) **U.S. Cl.** **D3/319**

(58) **Field of Classification Search** D3/318,
D3/319, 323, 326, 328, 302, 312, 314, 273,
D3/283, 284, 286, 304, 18-21, 23, 30.1, 74,
D3/39, 903; D9/420-425, 430-432, 414,
D9/433; 220/796-802, 805, 377, 354, 355,
220/361-362, 200; D19/76; D7/629, 601;
206/503-505, 515, 518, 520, 349, 372-373,
206/375; 190/1, 100, 115; 312/107, 350
See application file for complete search history.

(56) **References Cited**

U.S. PATENT DOCUMENTS

D258,552 S * 3/1981 Stolarz D3/323

4,982,863 A * 1/1991 Skillius 220/318
5,011,013 A * 4/1991 Meisner et al. 206/373
D330,329 S * 10/1992 Brightbill D3/302
D333,568 S * 3/1993 Dickinson D3/286
5,323,966 A * 6/1994 Buchholz et al. 239/408
D367,360 S * 2/1996 Wolff D3/323
D374,772 S * 10/1996 Hotaling et al. D3/276
D382,114 S * 8/1997 Dickinson et al. D3/279
6,112,896 A * 9/2000 Bal 206/370
6,533,138 B2 * 3/2003 Chwen-Ru 220/522
2002/0117414 A1 * 8/2002 Kipper et al. 206/373
2002/0179480 A1 * 12/2002 Raghunathan et al. 206/505
2003/0075472 A1 * 4/2003 McDade 206/505
2003/0106821 A1 * 6/2003 Bar-Erez 206/373
2004/0129595 A1 * 7/2004 Dane et al. 206/503
2005/0029139 A1 * 2/2005 Chen 206/373
2005/0161357 A1 * 7/2005 Allan et al. 206/373

* cited by examiner

Primary Examiner—Sandra Snapp

(74) *Attorney, Agent, or Firm*—Ladas & Parry LLP

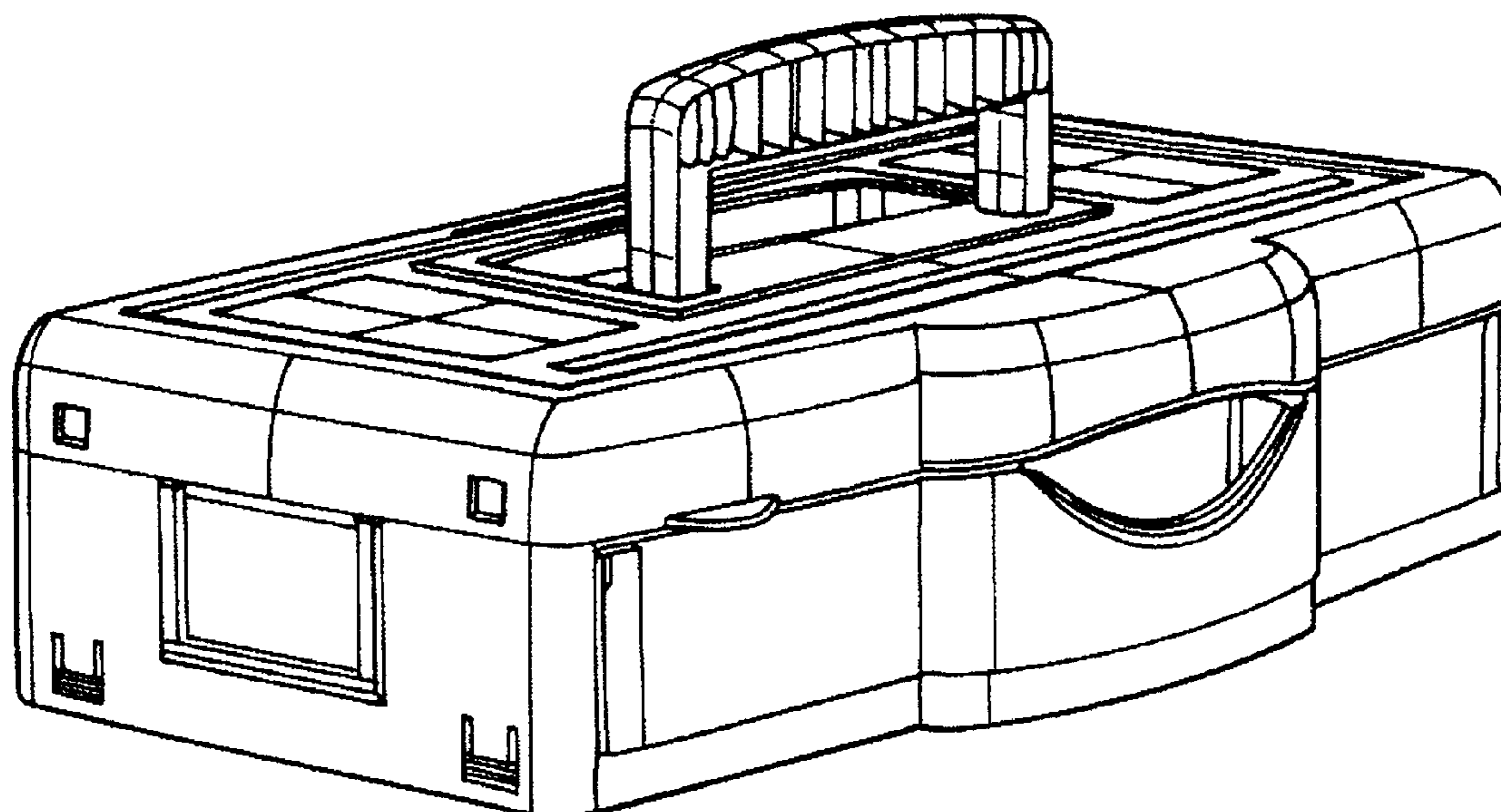
(57) **CLAIM**

The ornamental design for a modular tool storage drawer, as shown and described.

DESCRIPTION

FIG. 1 is a perspective upper view of a modular tool storage drawer showing the front and left side, the right side of the drawer corresponding to the left side view; and, FIG. 2 is an exploded perspective view of two modular tool storage drawers with a cover and handle.

1 Claim, 2 Drawing Sheets



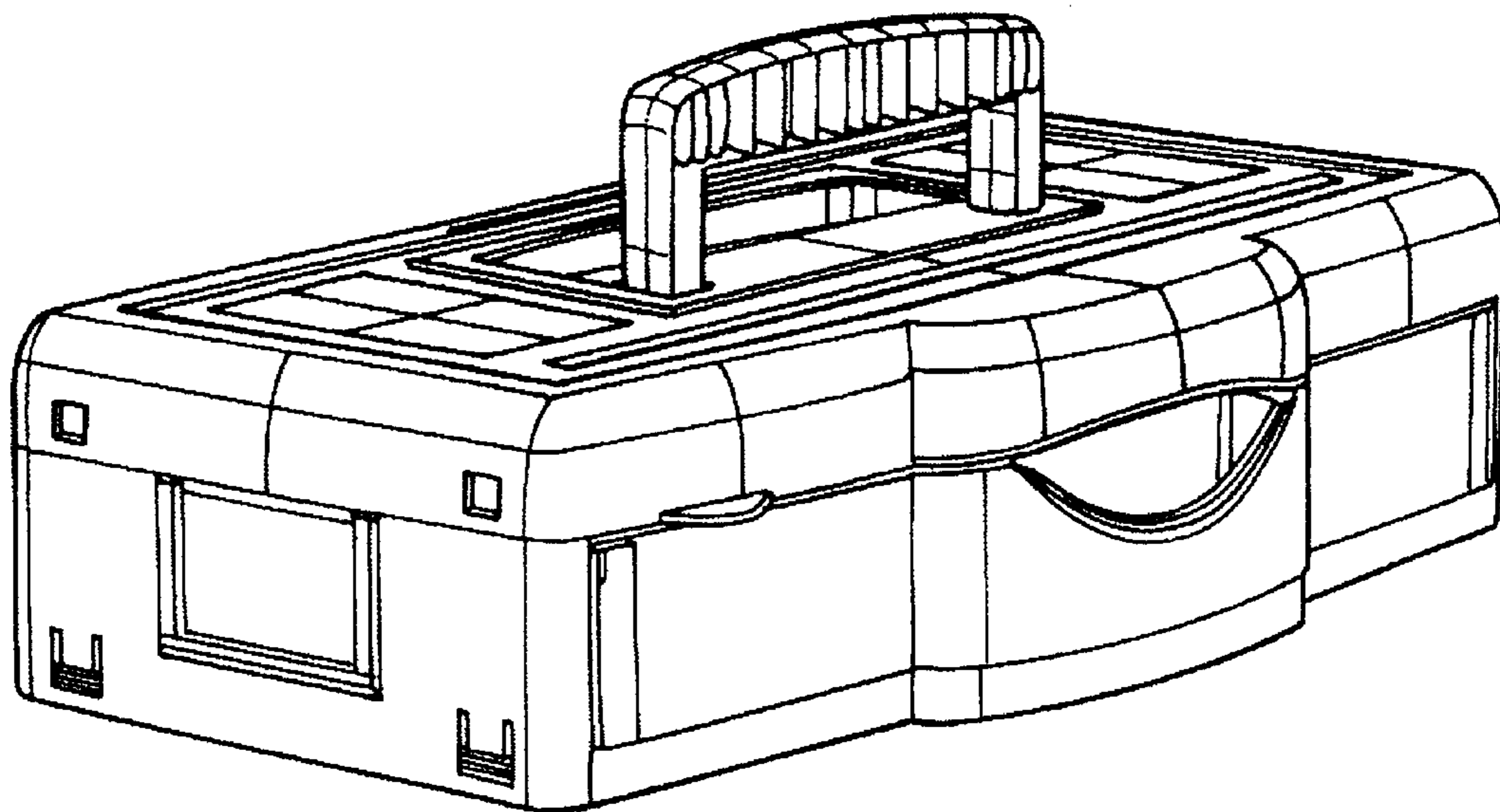


FIG. 1

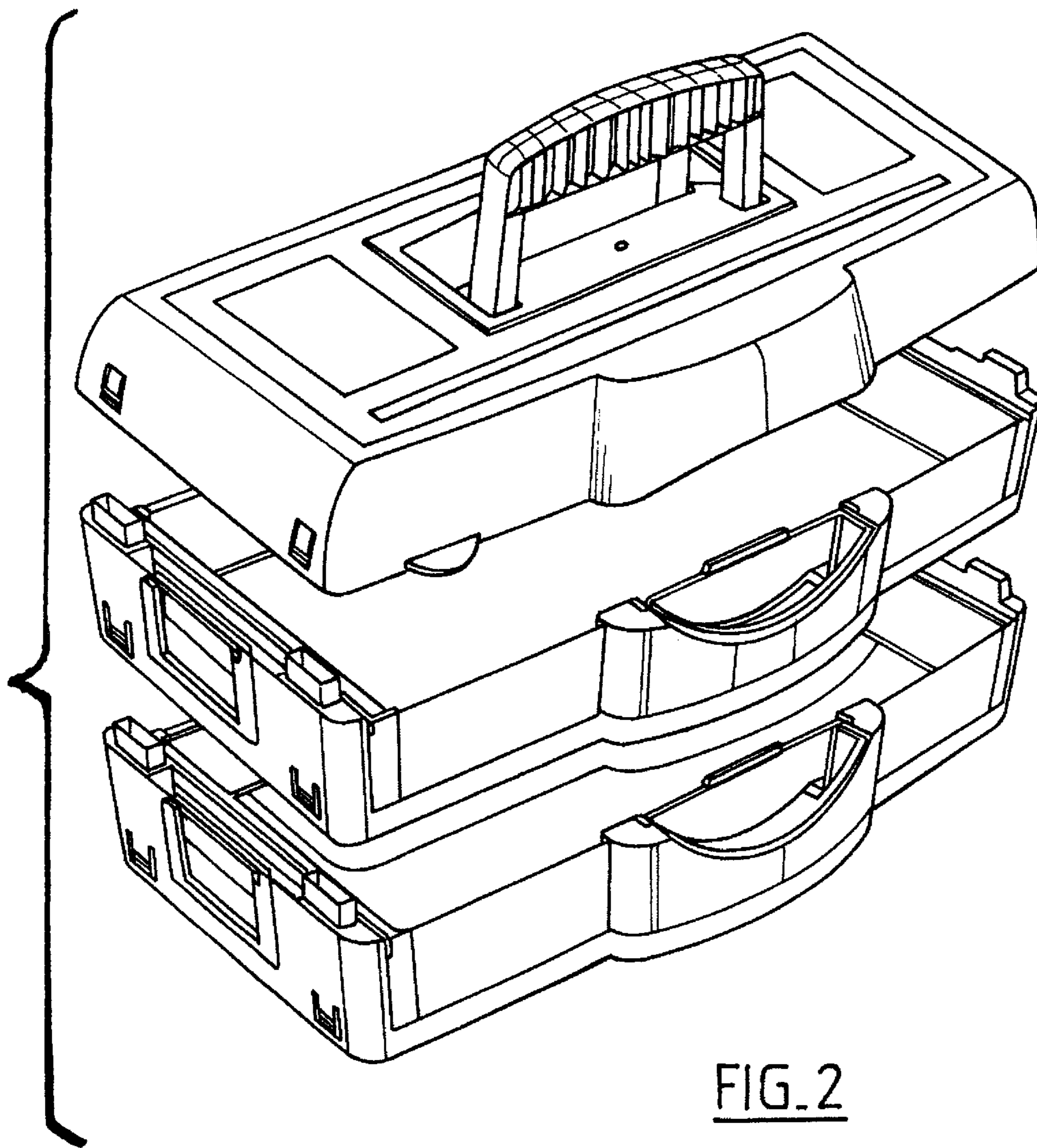


FIG. 2