



US00D543030S

(12) **United States Design Patent**
Schäfer

(10) **Patent No.:** **US D543,030 S**

(45) **Date of Patent:** **** May 22, 2007**

(54) **STACKABLE CONTAINER**

(75) Inventor: **Gerhard Schäfer**, Neunkirchen (DE)

(73) Assignee: **Fritz Schafer GmbH**, Neunkirchen (DE)

(**) Term: **14 Years**

(21) Appl. No.: **29/226,279**

(22) Filed: **Mar. 22, 2005**

(30) **Foreign Application Priority Data**

Sep. 23, 2004 (DE) 4 04 05 430

(51) **LOC (8) Cl.** **03-01**

(52) **U.S. Cl.** **D3/272; D3/302; D9/424; D9/420**

(58) **Field of Classification Search** D3/272–273, D3/276, 282, 286, 302; D7/629; D9/420, D9/423–425, 430–432; 206/503, 505, 508–509; 220/833–834

See application file for complete search history.

(56) **References Cited**

U.S. PATENT DOCUMENTS

- D201,398 S * 6/1965 Burns et al. D3/302
- 3,759,416 A * 9/1973 Constantine 206/505
- 4,143,695 A * 3/1979 Hoehn 220/826
- D252,179 S * 6/1979 Cherry D7/629
- 5,064,088 A * 11/1991 Steffes 220/837
- D333,615 S * 3/1993 Zutler D9/423
- 5,445,397 A * 8/1995 Evans 280/47.18
- D386,306 S * 11/1997 Zimmerman D3/273
- 5,699,925 A * 12/1997 Petruzzi 220/4.27
- D421,678 S * 3/2000 Levy D3/279
- 6,050,442 A * 4/2000 Wysocki 220/524
- D480,560 S * 10/2003 Tanji D3/294

- D493,282 S * 7/2004 Dubois et al. D3/273
- D513,121 S * 12/2005 Rosine et al. D3/273
- D515,313 S * 2/2006 Uffner et al. D3/294
- D519,734 S * 5/2006 Richardson et al. D3/294
- 2005/0072783 A1 * 4/2005 Choi 220/258.2
- 2005/0199623 A1 * 9/2005 Elder et al. 220/4.28

* cited by examiner

Primary Examiner—Philip S. Hyder

Assistant Examiner—RoseLynne (Ulm) Cody

(74) *Attorney, Agent, or Firm*—Andrew Wilford

(57) **CLAIM**

The ornamental design for a stackable container, as shown and described.

DESCRIPTION

FIG. 1 is a front, top, right-side perspective view of a stackable container (with cover partly open) showing my new design, the rear and left side views being respectively identical to the front and right side views shown;

FIG. 2 is a front, top, right-side perspective view thereof with the cover removed;

FIG. 3 is a top-plan view of the cover with the cover locks thereof in place;

FIG. 4 is a bottom-plan view of the cover with the cover locks thereof in place;

FIG. 5 is a top-plan view of the cover with the cover locks removed;

FIG. 6 is a bottom plan view of the cover with the cover locks removed;

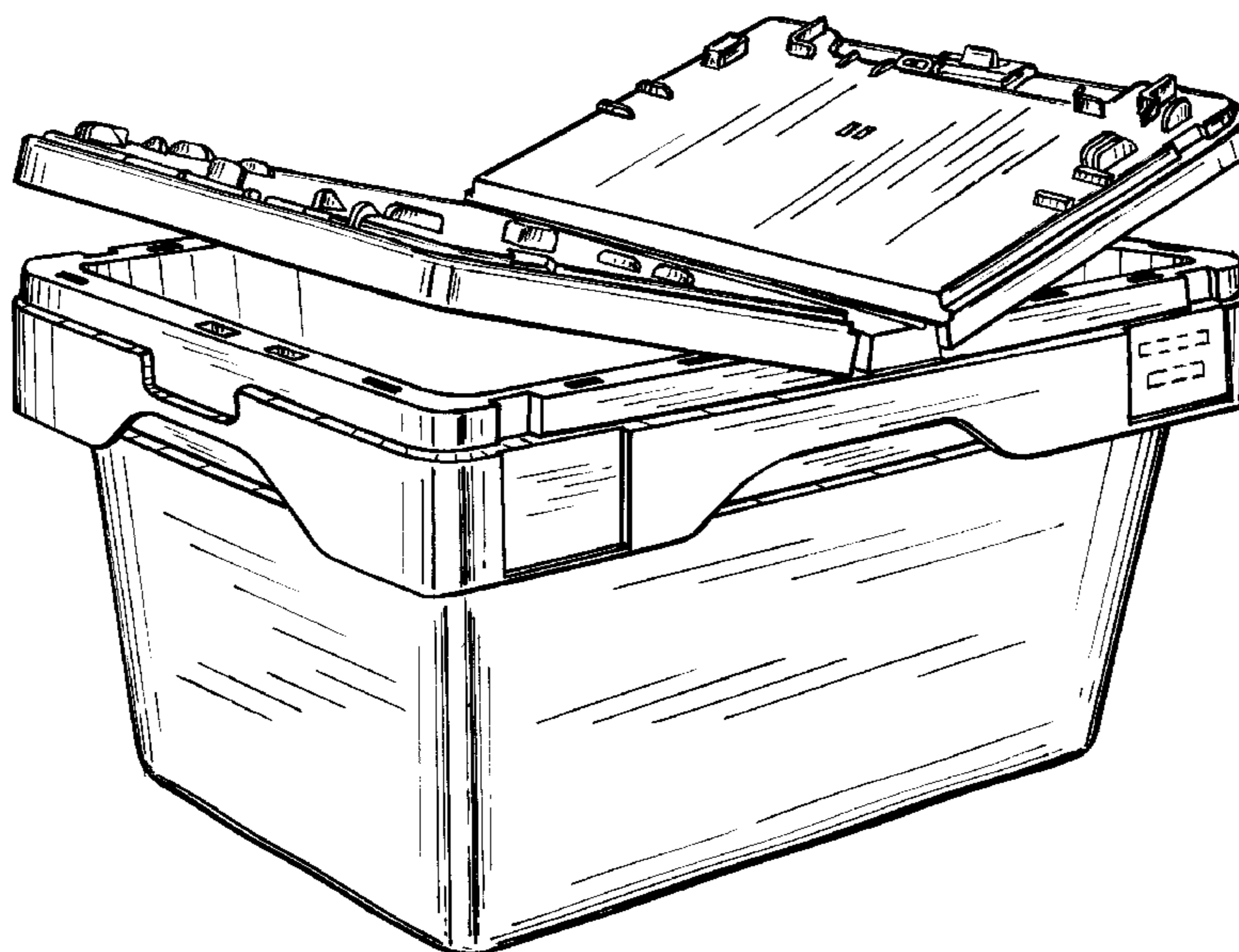
FIG. 7 is a view similar to FIG. 1 with the cover closed;

FIG. 8 is a bottom perspective view of the cover lock; and,

FIG. 9 is a top perspective view of the cover lock.

The broken line showing in FIGS. 1, 2, and 7 represents the portion of the design that forms no part of the claim.

1 Claim, 8 Drawing Sheets



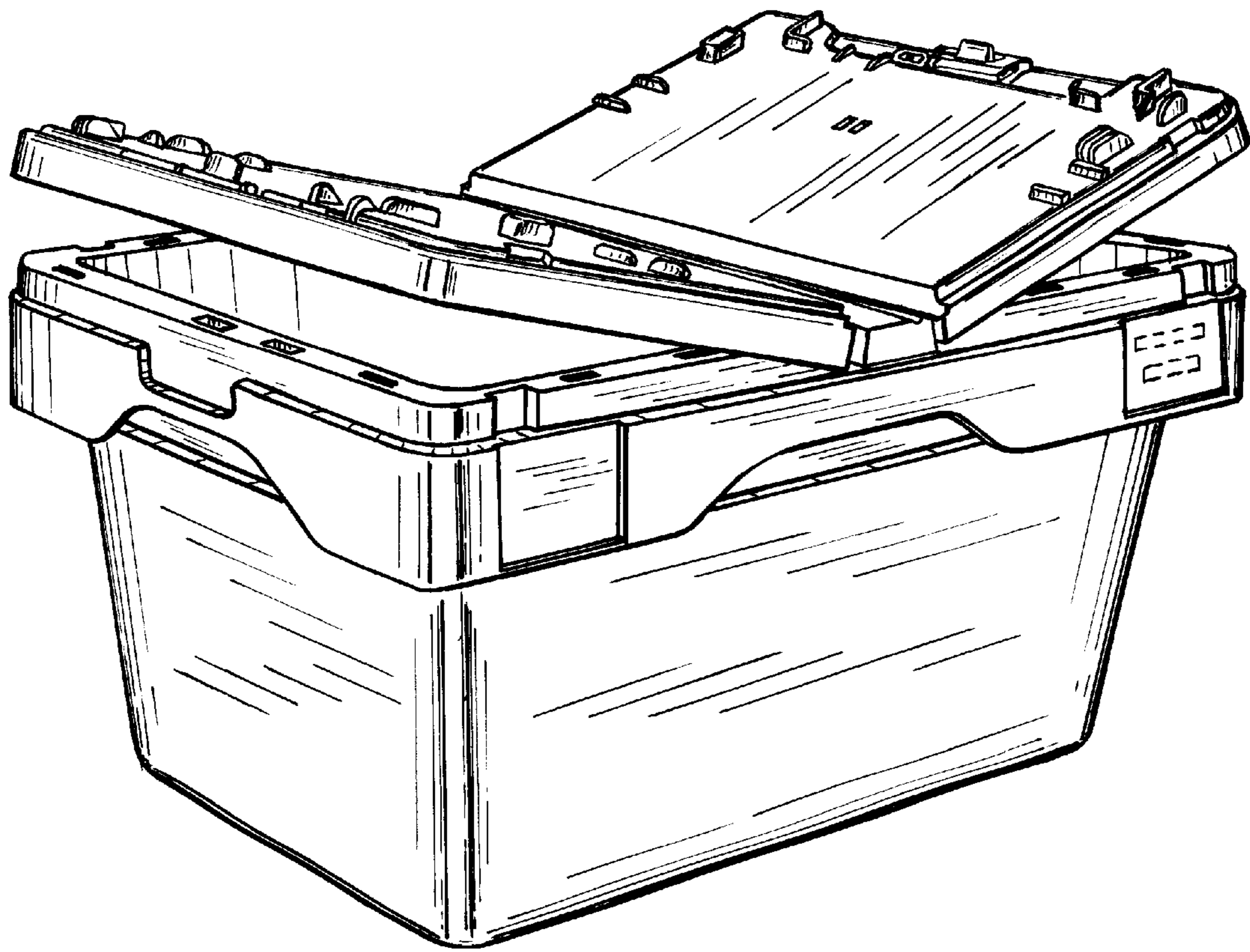


FIG.1

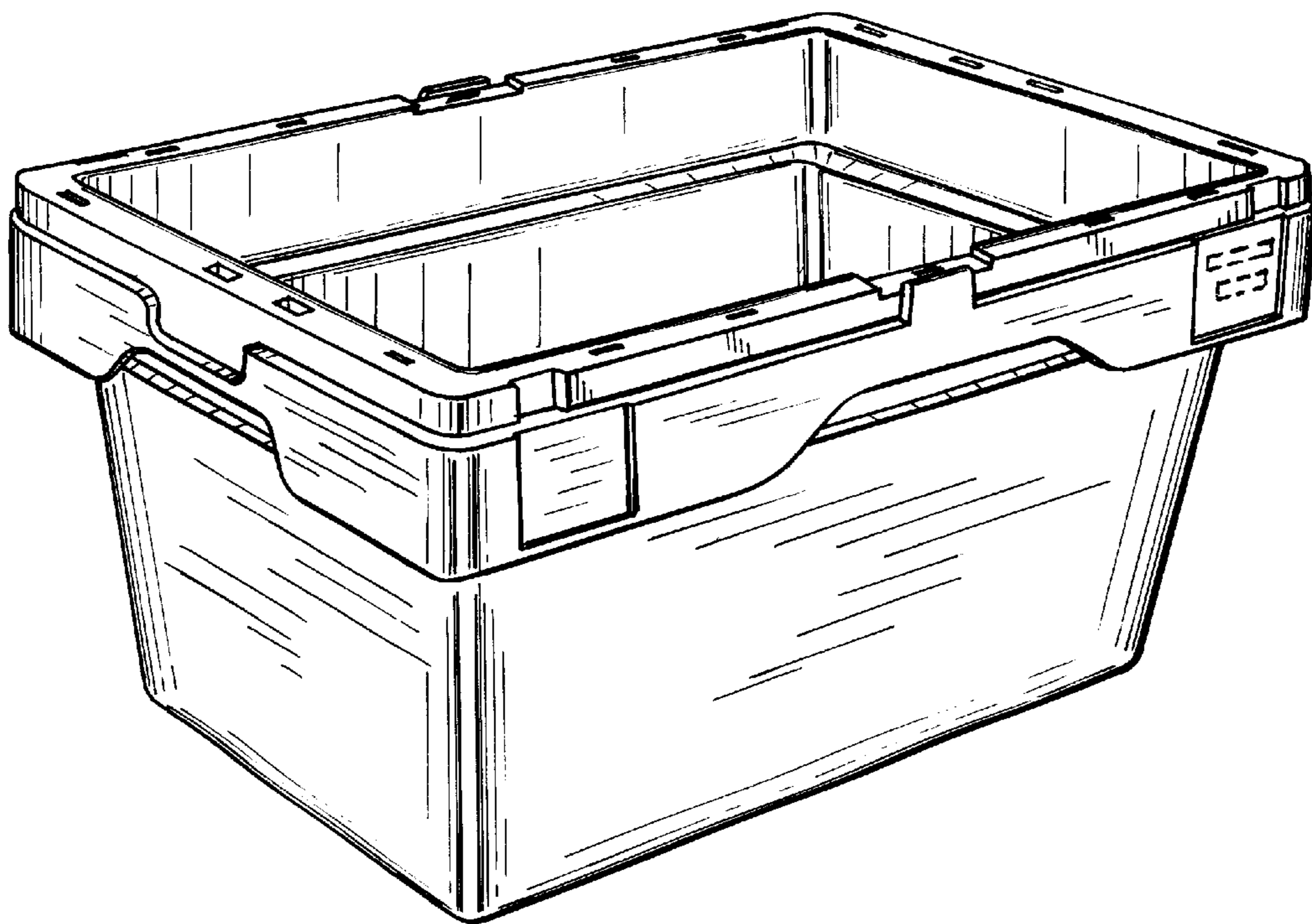


FIG. 2

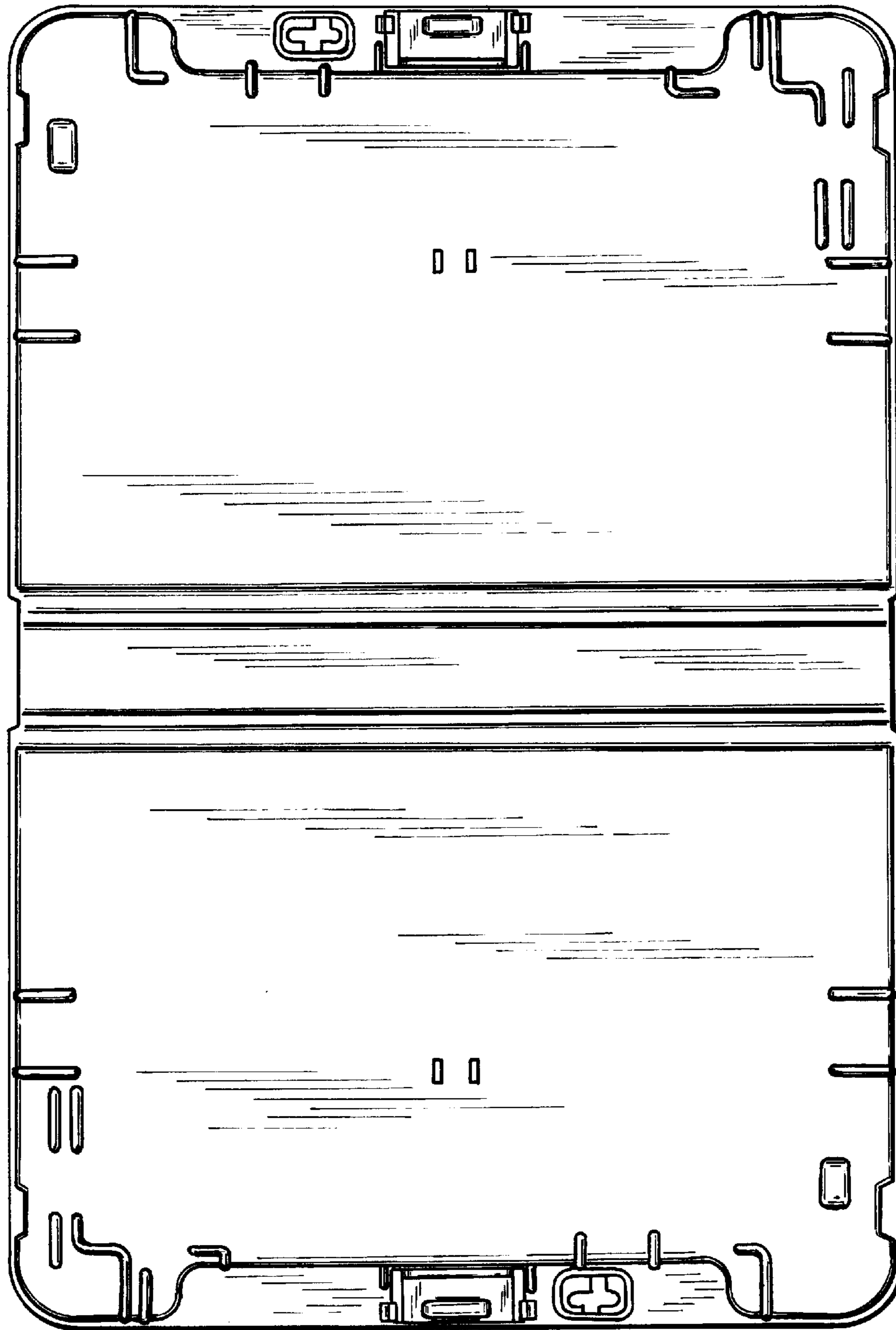


FIG.3

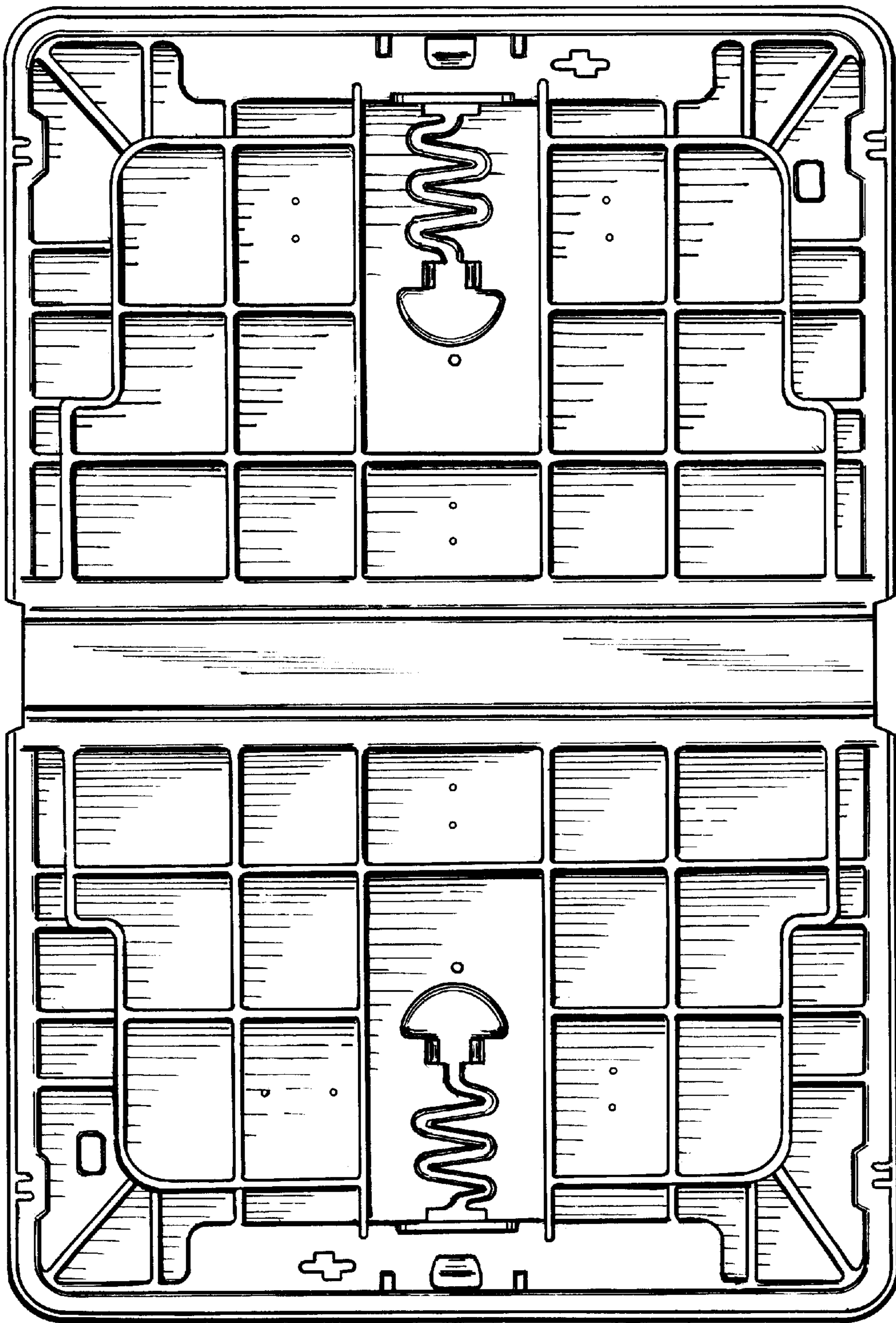


FIG. 4

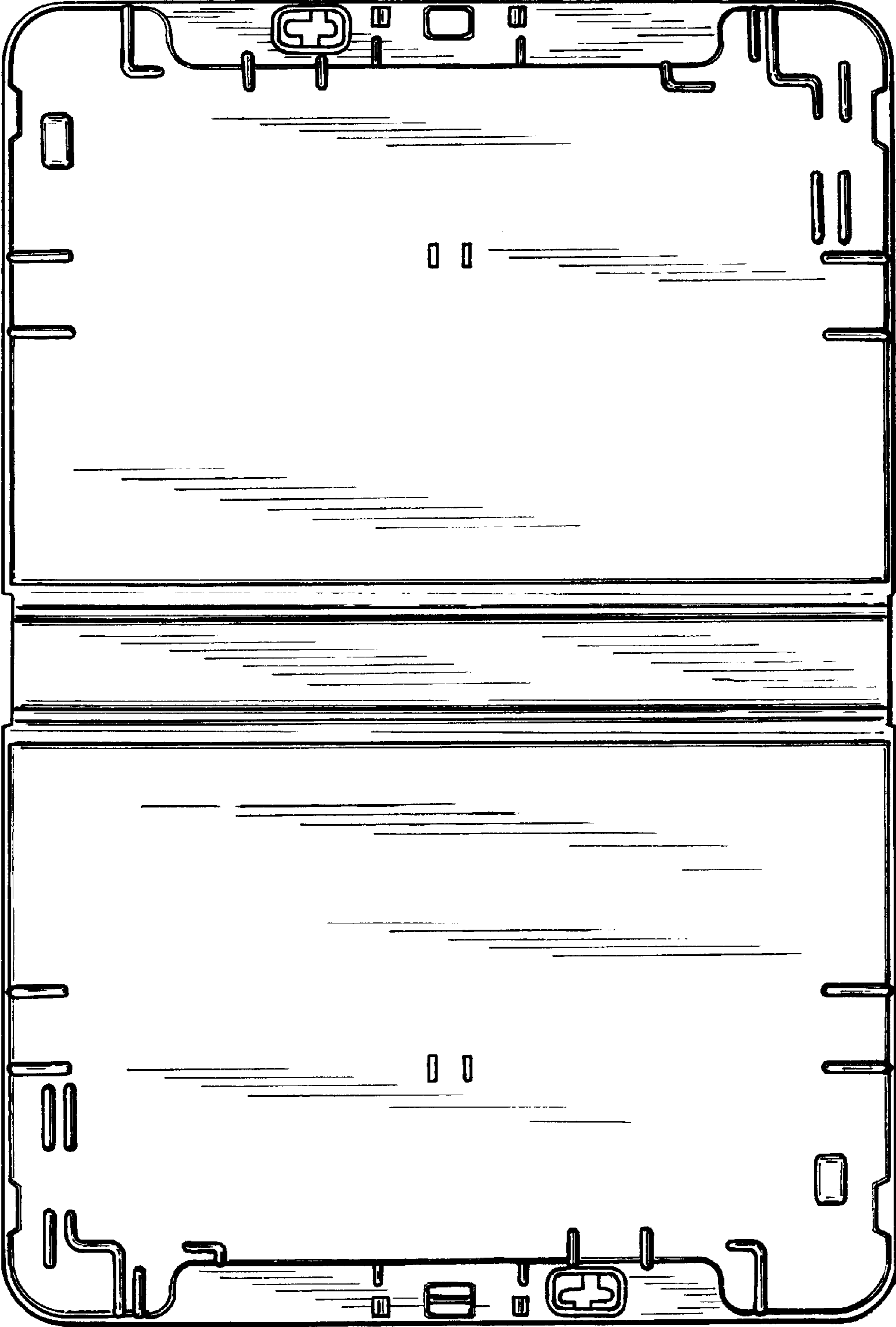


FIG.5

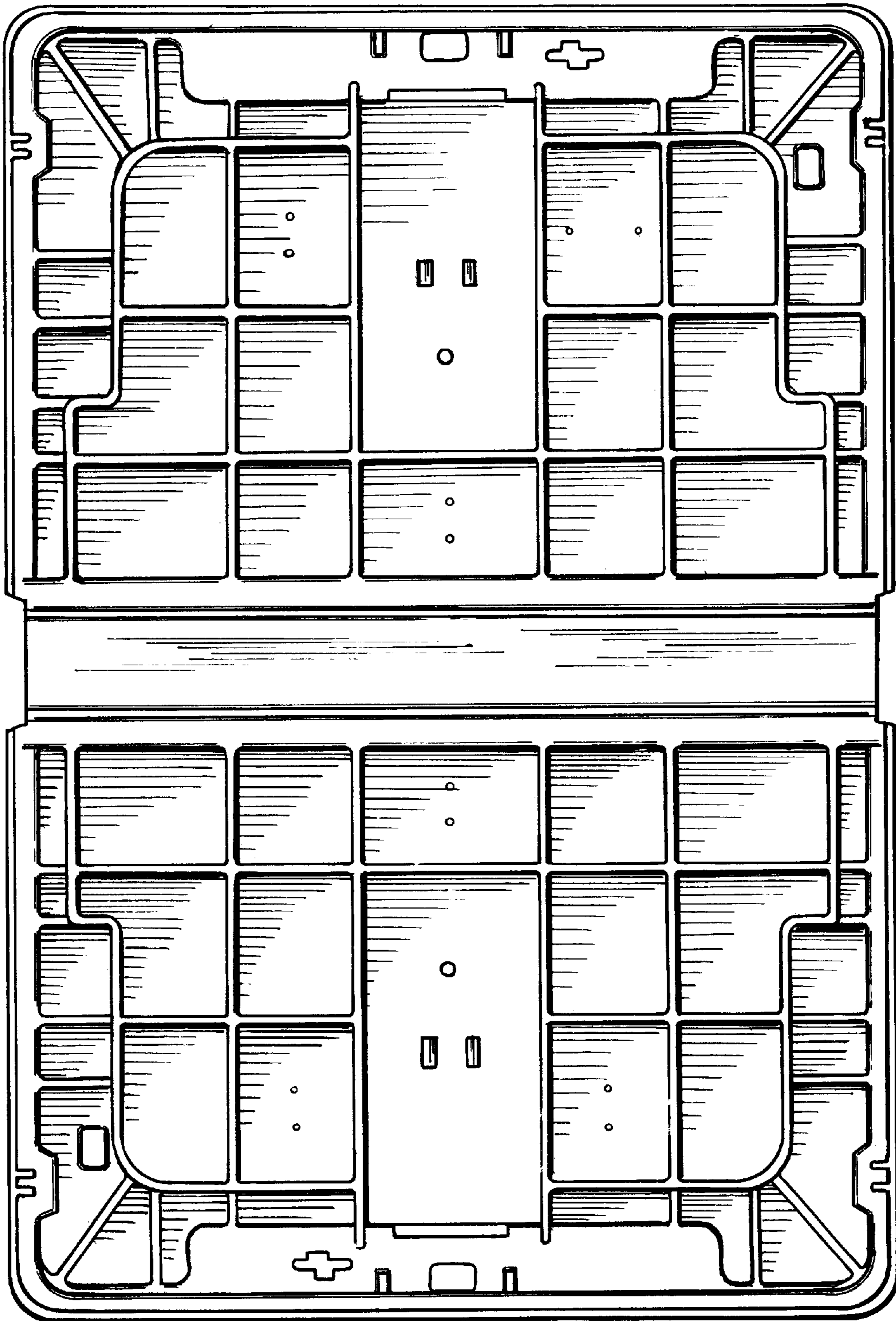


FIG.6

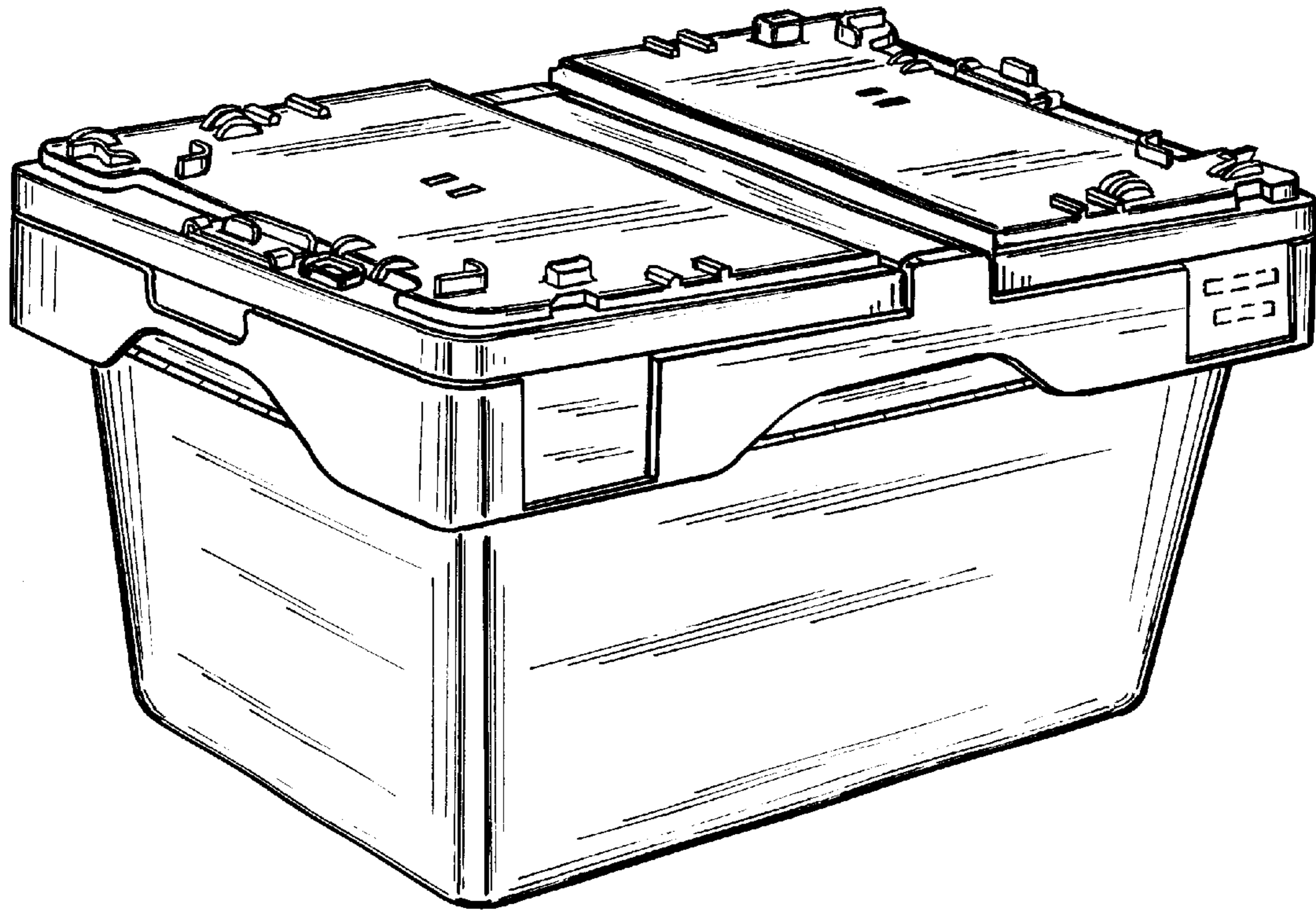


FIG. 7

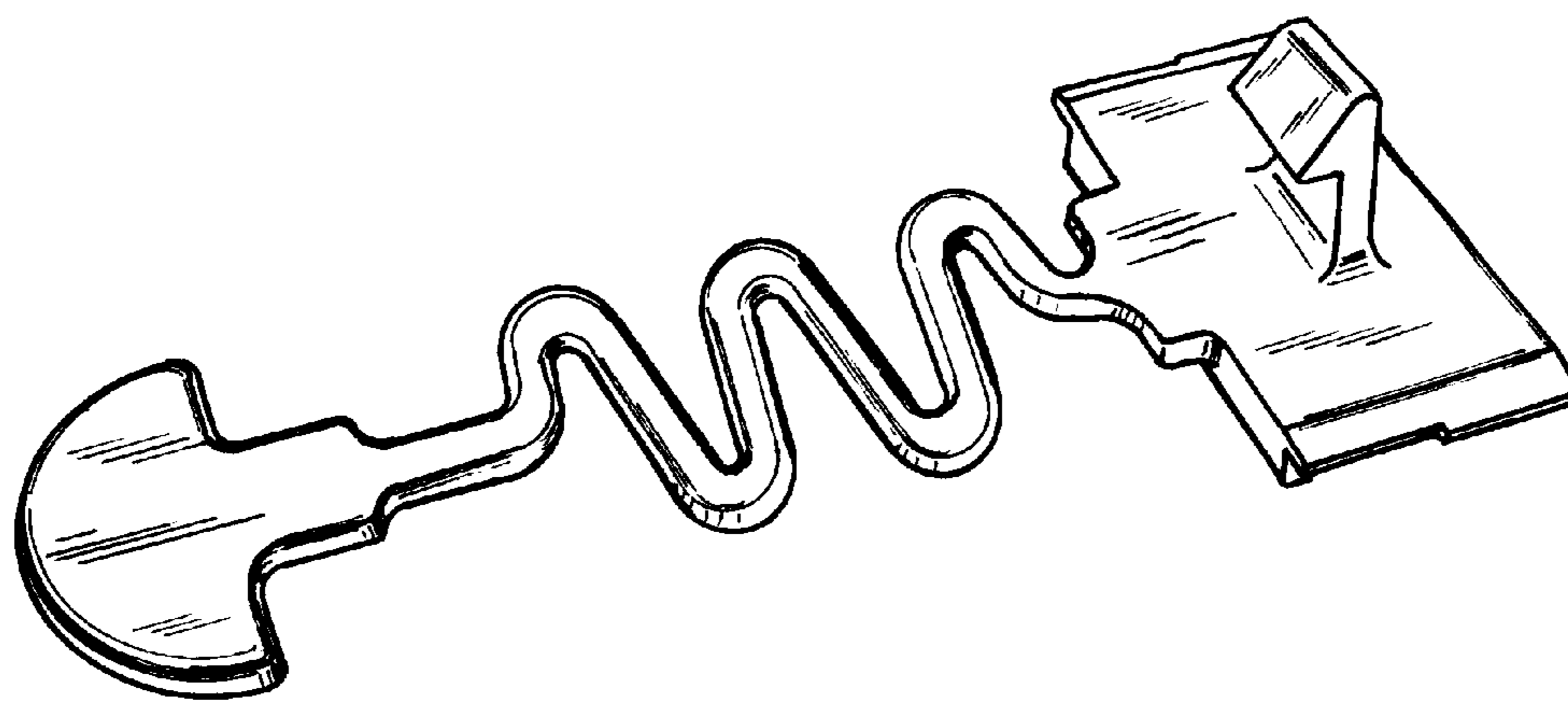


FIG. 9

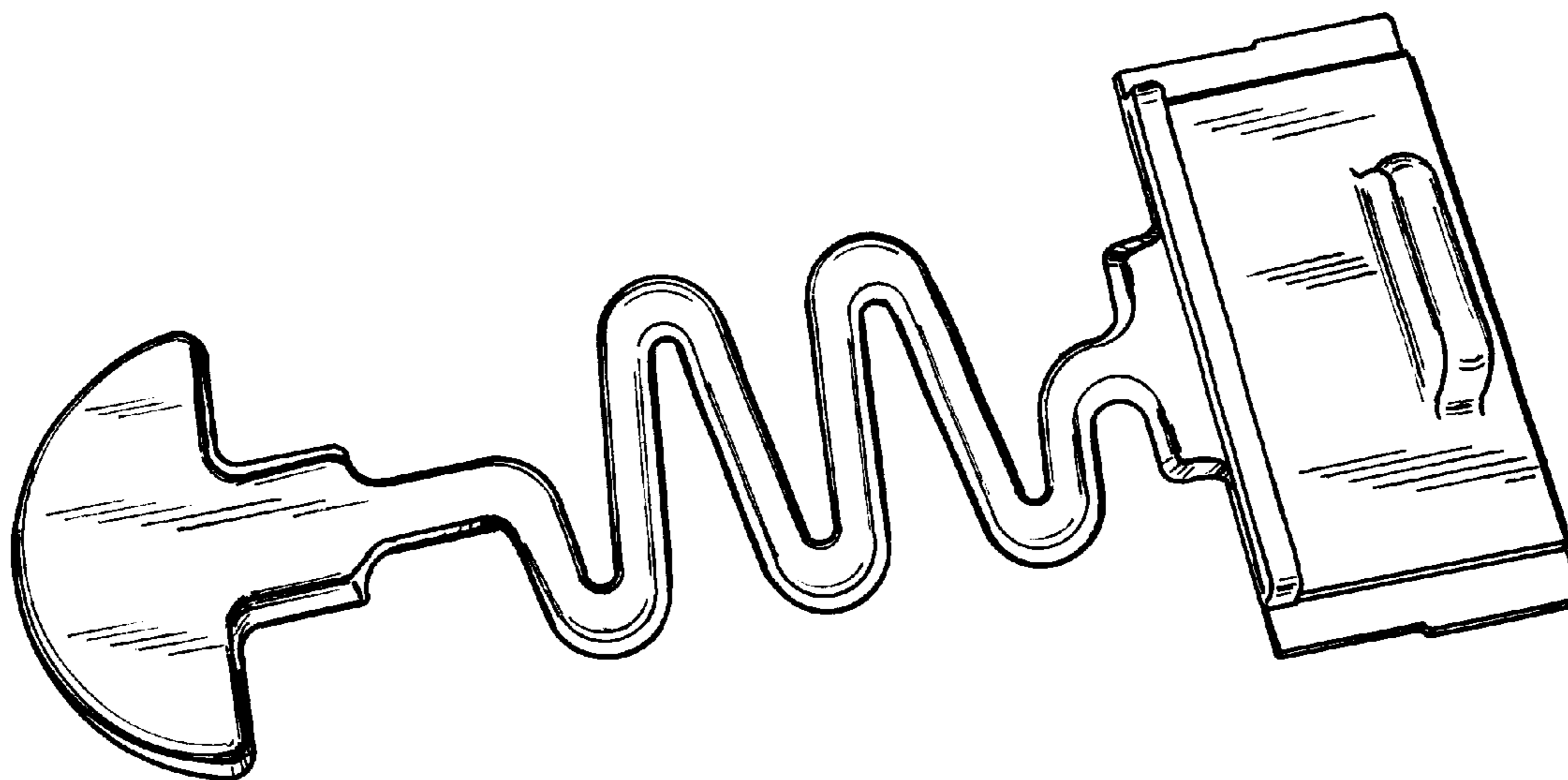


FIG. 8