



US00D543025S

(12) **United States Design Patent**  
**Cicione**

(10) **Patent No.:** **US D543,025 S**

(45) **Date of Patent:** **\*\* May 22, 2007**

(54) **UTILITY BELT WITH FASTENERS**

(76) Inventor: **Gregory J. Cicione**, 2407 Preston Rd.,  
Eau Claire, WI (US) 54703

(\*\*) Term: **14 Years**

(21) Appl. No.: **29/259,695**

(22) Filed: **May 15, 2006**

(51) **LOC (8) Cl.** ..... **03-01**

(52) **U.S. Cl.** ..... **D3/224**

(58) **Field of Classification Search** ..... D3/228,  
D3/224, 226, 221; D2/624-629; 2/300-314,  
2/338-339; 24/3, 3 K, 6, 599.2; 224/223-224,  
224/253, 904, 247, 274, 277, 251, 666, 682,  
224/677, 670, 271

See application file for complete search history.

(56) **References Cited**

U.S. PATENT DOCUMENTS

4,516,275	A	*	5/1985	Schroeder	.....	2/311
4,676,419	A		6/1987	Victor	.....	224/252
4,690,316	A		9/1987	Peterson	.....	224/253
4,747,527	A		5/1988	Trumpower, II	.....	224/662
D302,489	S		8/1989	Stone et al.	.....	D3/228
4,923,105	A		5/1990	Snyder	.....	224/255
4,932,576	A		6/1990	Ashley	.....	224/253
4,953,765	A		9/1990	Little et al.	.....	224/151
5,004,136	A	*	4/1991	Leath	.....	224/666
5,201,448	A		4/1993	Schue	.....	224/253
D348,983	S		7/1994	Dancyger	.....	D3/224
5,341,975	A		8/1994	Marinescu	.....	224/252
D350,849	S		9/1994	Dancyger	.....	D3/228
5,501,379	A		3/1996	Munoz	.....	224/240
5,915,606	A		6/1999	Jensen	.....	224/148.6
6,179,185	B1		1/2001	Dancyger	.....	224/576
D450,449	S		11/2001	Godshaw et al.	.....	D3/228

6,390,348	B1		5/2002	Godshaw et al.	.....	224/674
6,398,092	B1		6/2002	Ansley	.....	224/582
D467,703	S	*	12/2002	Foutty	.....	D2/627
6,599,278	B1		7/2003	Nichols	.....	604/345
D482,196	S		11/2003	Cabrera et al.	.....	D3/228
6,726,075	B1		4/2004	Patel et al.	.....	224/582
6,848,605	B2	*	2/2005	Dillenberger	.....	224/670
D527,166	S	*	8/2006	Hoeksema	.....	D2/627
2002/0096545	A1	*	7/2002	Chang	.....	224/271

\* cited by examiner

*Primary Examiner*—Catherine R. Oliver

(74) *Attorney, Agent, or Firm*—Tipton L. Randall

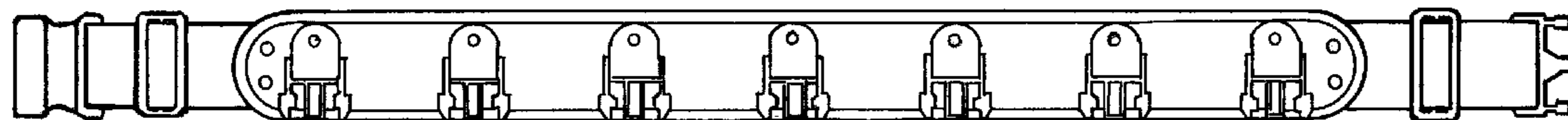
(57) **CLAIM**

The ornamental design for a utility belt with fasteners, as shown and described.

**DESCRIPTION**

FIG. 1 is a front elevational view of the utility belt with fasteners embodying my new design,  
 FIG. 2 is a rear elevational view thereof,  
 FIG. 3 is a top view thereof with the utility belt with fasteners in a circular condition,  
 FIG. 4 is a bottom view thereof with the utility belt with fasteners in a circular condition,  
 FIG. 5 is a left side elevational view of the utility belt with fasteners of FIG. 2,  
 FIG. 6 is a right side elevational view of the utility belt with fasteners of FIG. 2,  
 FIG. 7 is a perspective view of the utility belt with fasteners in a circular condition; and,  
 FIG. 8 is a perspective view of the utility belt with fasteners in a circular condition, the attachable pouches shown in phantom comprising no part of the present invention.

**1 Claim, 8 Drawing Sheets**



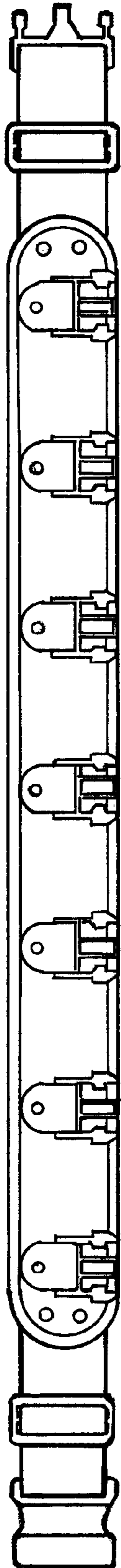


Figure 1

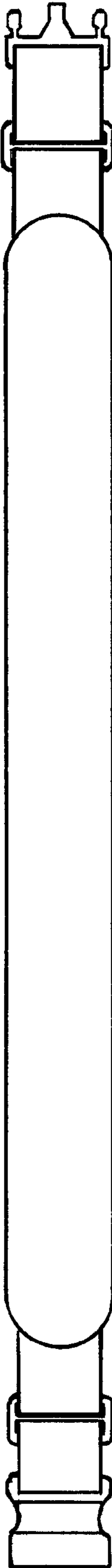


Figure 2

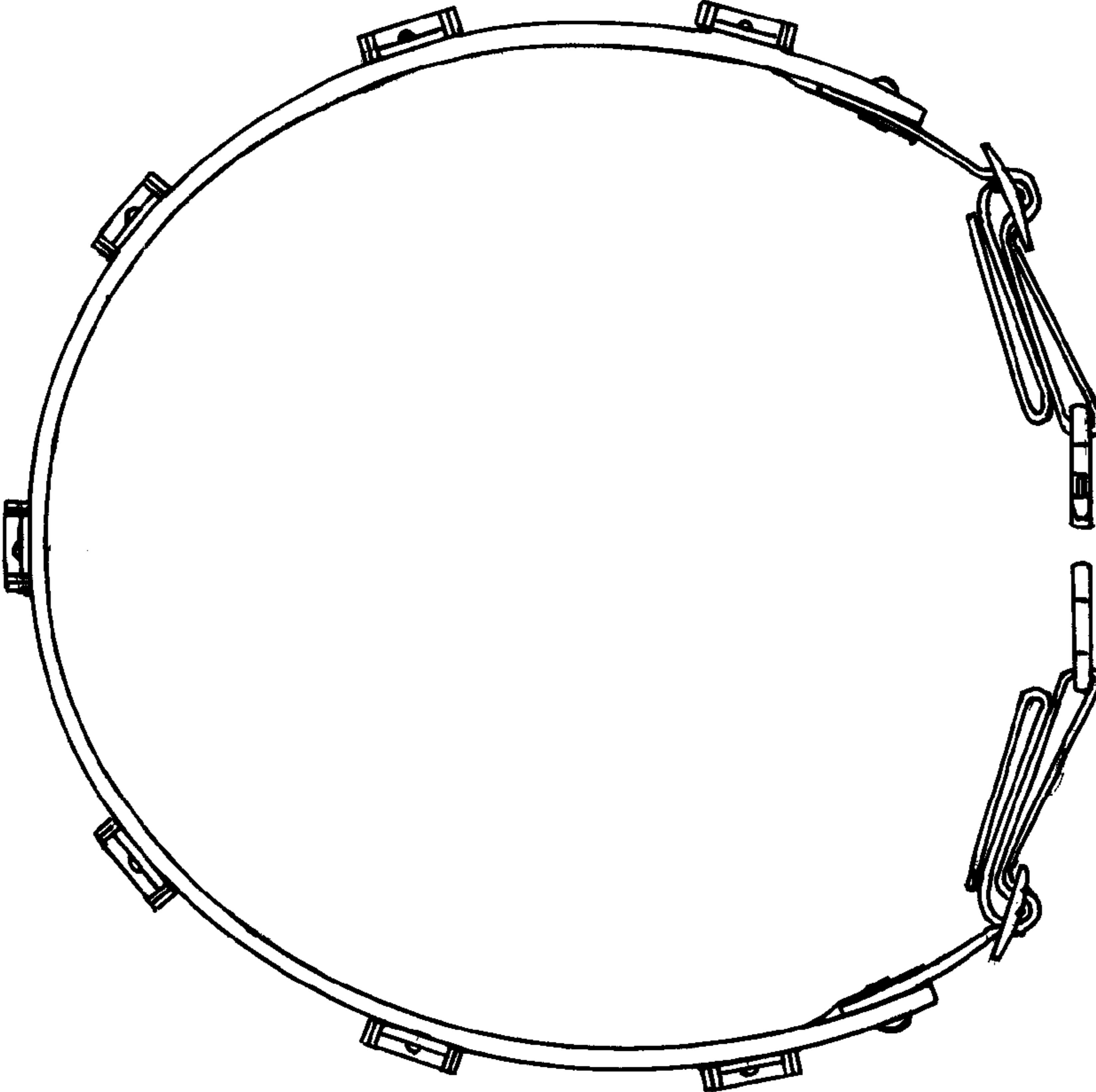


Figure 3

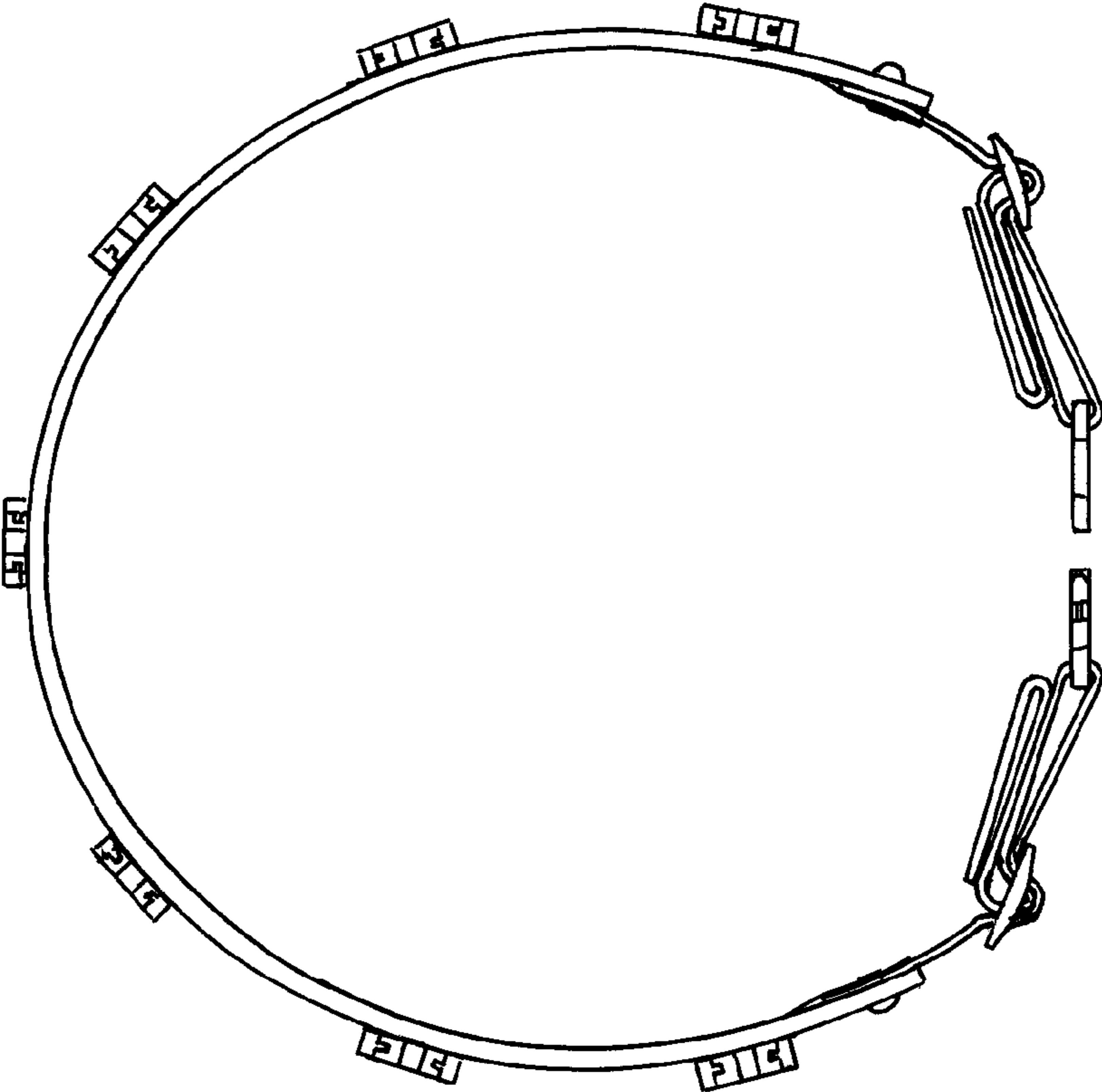


Figure 4

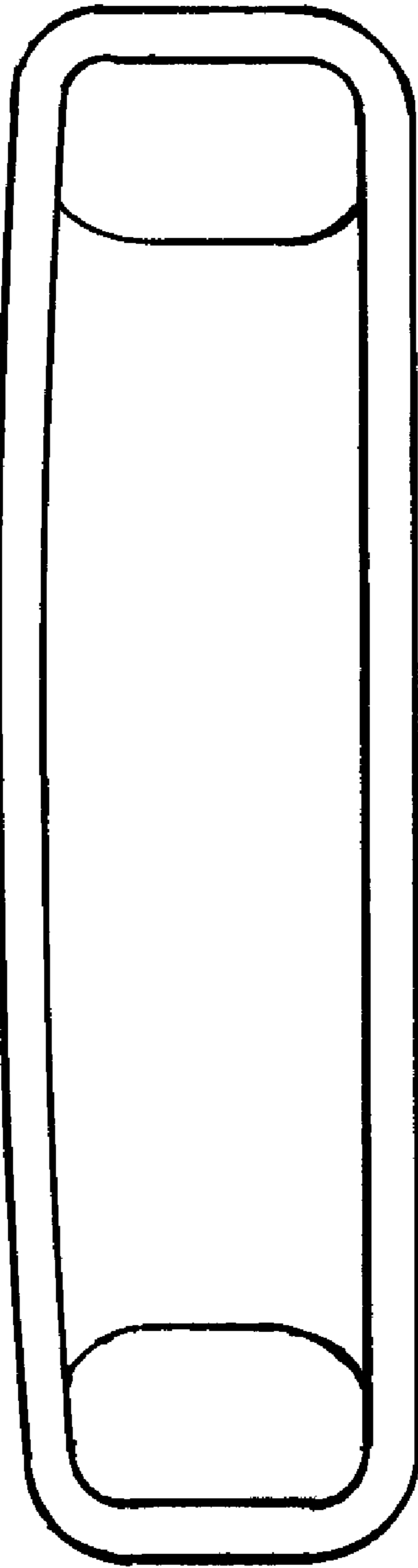


Figure 5

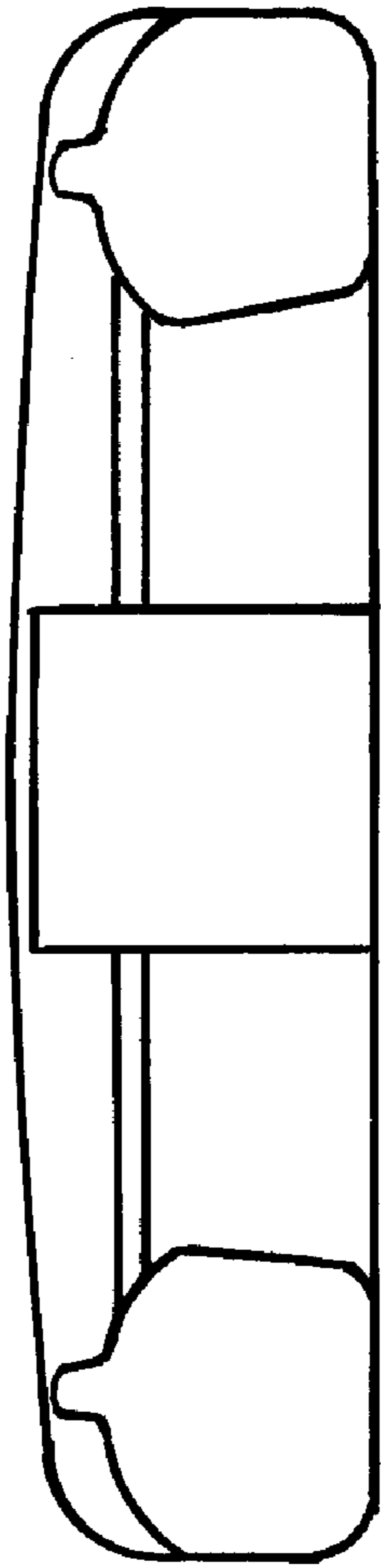


Figure 6

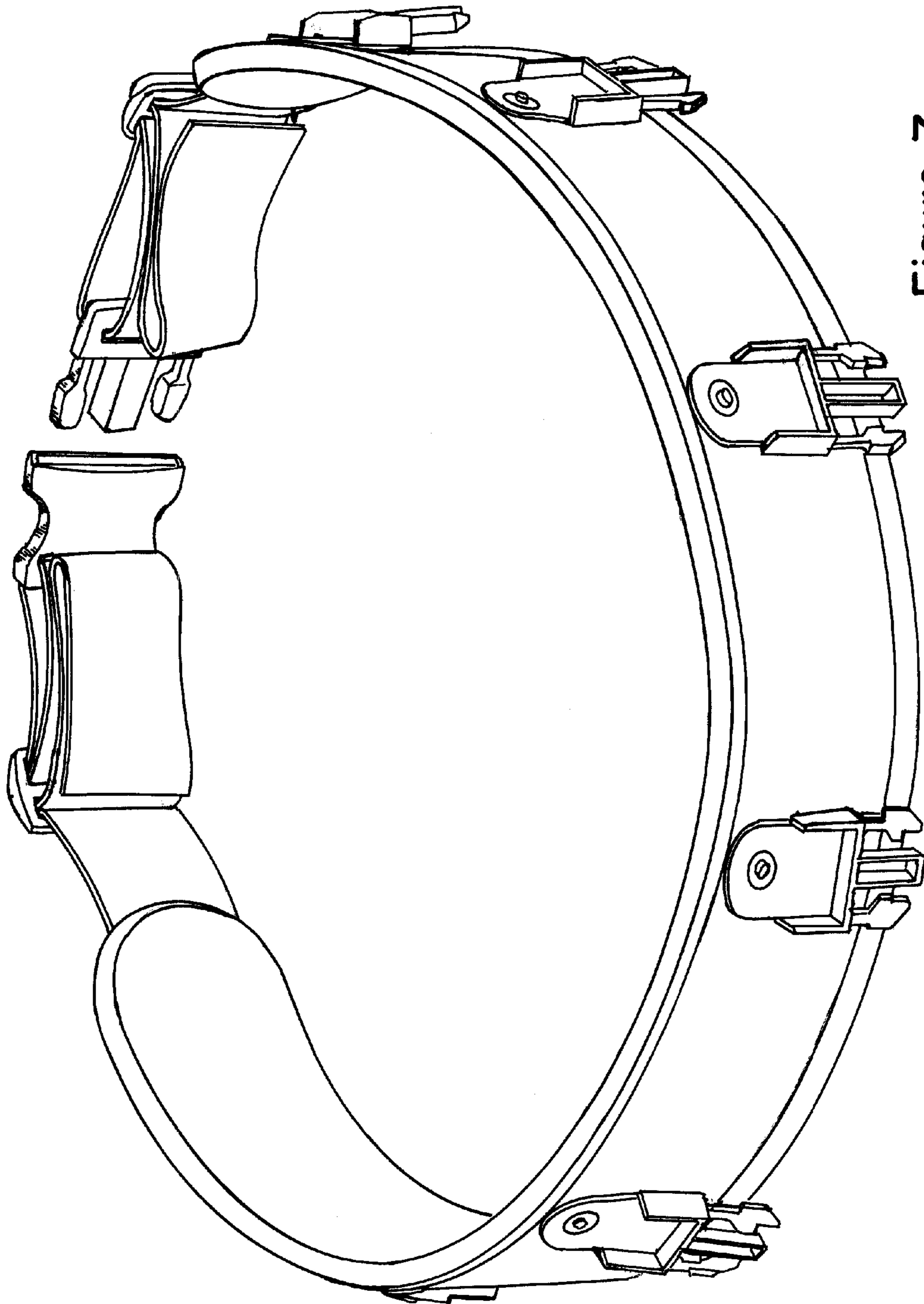


Figure 7



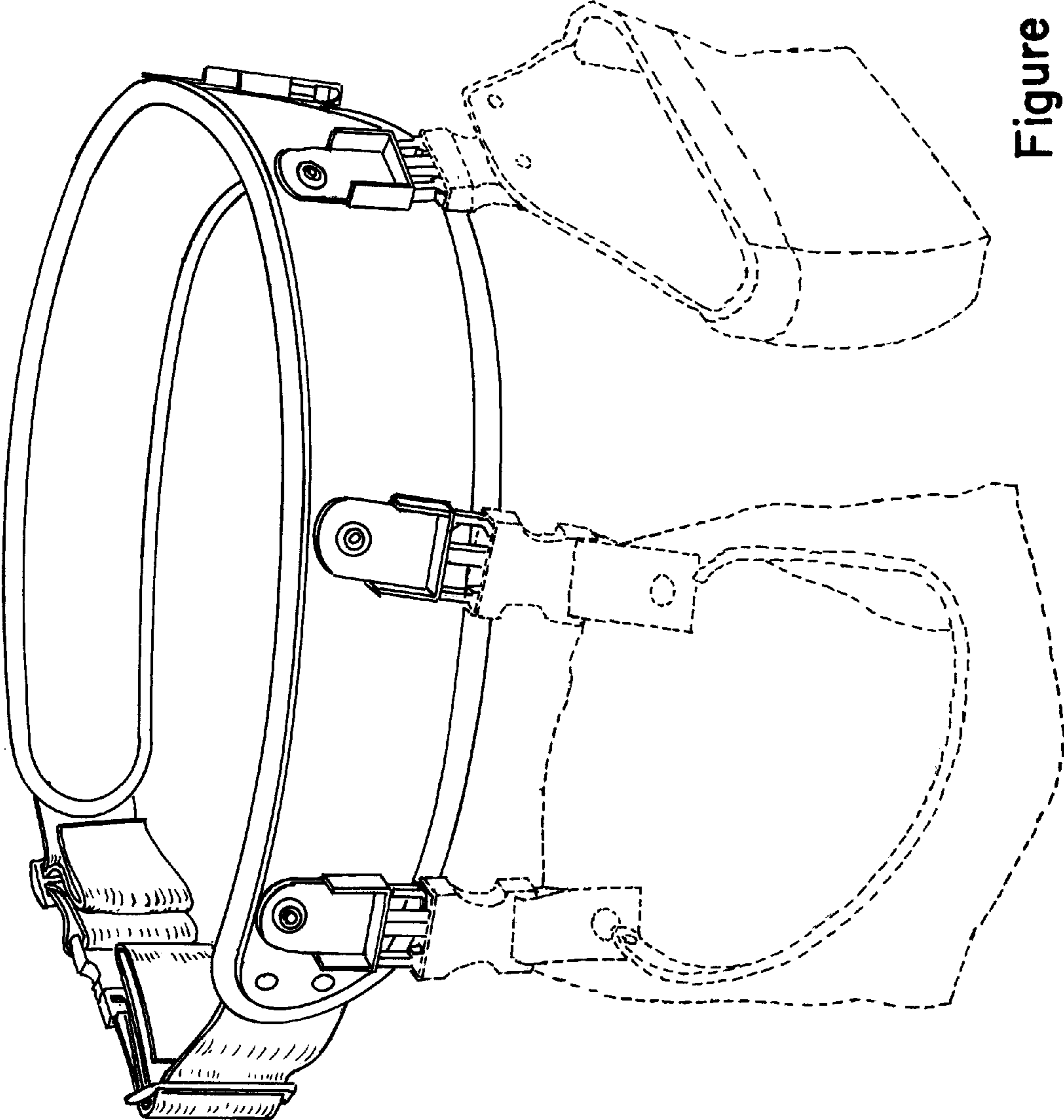


Figure 8