

US00D543023S

(12) **United States Design Patent**
Han et al.

(10) **Patent No.:** **US D543,023 S**

(45) **Date of Patent:** **** May 22, 2007**

(54) **CASE FOR MOBILE PHONE**

(75) Inventors: **Kyung-Jin Han**, Seoul (KR);
Hye-Jeong Lee, Seoul (KR); **Nam-Mi Kim**, Seoul (KR); **Chang-Hwan Hwang**, Goyang-si (KR)

(73) Assignee: **Samsung Electronics Co., Ltd.**,
Suwon-Si (KR)

(**) Term: **14 Years**

(21) Appl. No.: **29/262,250**

(22) Filed: **Jun. 29, 2006**

(30) **Foreign Application Priority Data**

Apr. 13, 2006 (KR) 30-2006-0013630

(51) **LOC (8) Cl.** **03-01**

(52) **U.S. Cl.** **D3/218**

(58) **Field of Classification Search** D3/218,
D3/215, 219, 232-233, 247-252, 273, 294,
D3/299; D28/77; D19/26; 224/240; D14/250-251;
379/453, 454-455

See application file for complete search history.

(56) **References Cited**

U.S. PATENT DOCUMENTS

D417,889 S * 12/1999 French D19/26

D482,162 S * 11/2003 Bostroem D28/77
D517,311 S * 3/2006 Kim D3/218
D518,954 S * 4/2006 Wald D3/273

* cited by examiner

Primary Examiner—Catherine R. Oliver

(74) *Attorney, Agent, or Firm*—Staas & Halsey LLP

(57) **CLAIM**

The ornamental design for the case for mobile phone, as shown and described.

DESCRIPTION

FIG. 1 is a perspective view of the case for mobile phone showing our design;

FIG. 2 is a front view thereof;

FIG. 3 is a rear view thereof;

FIG. 4 is a left side view thereof;

FIG. 5 is a right side view thereof;

FIG. 6 is a top plan view thereof;

FIG. 7 is a bottom plan view thereof; and,

FIG. 8 is a perspective, open view thereof showing receipt of a mobile phone.

The broken line showing of environment in the drawing of FIG. 8 is for illustrative purposes only and forms no part of the claimed design.

1 Claim, 3 Drawing Sheets

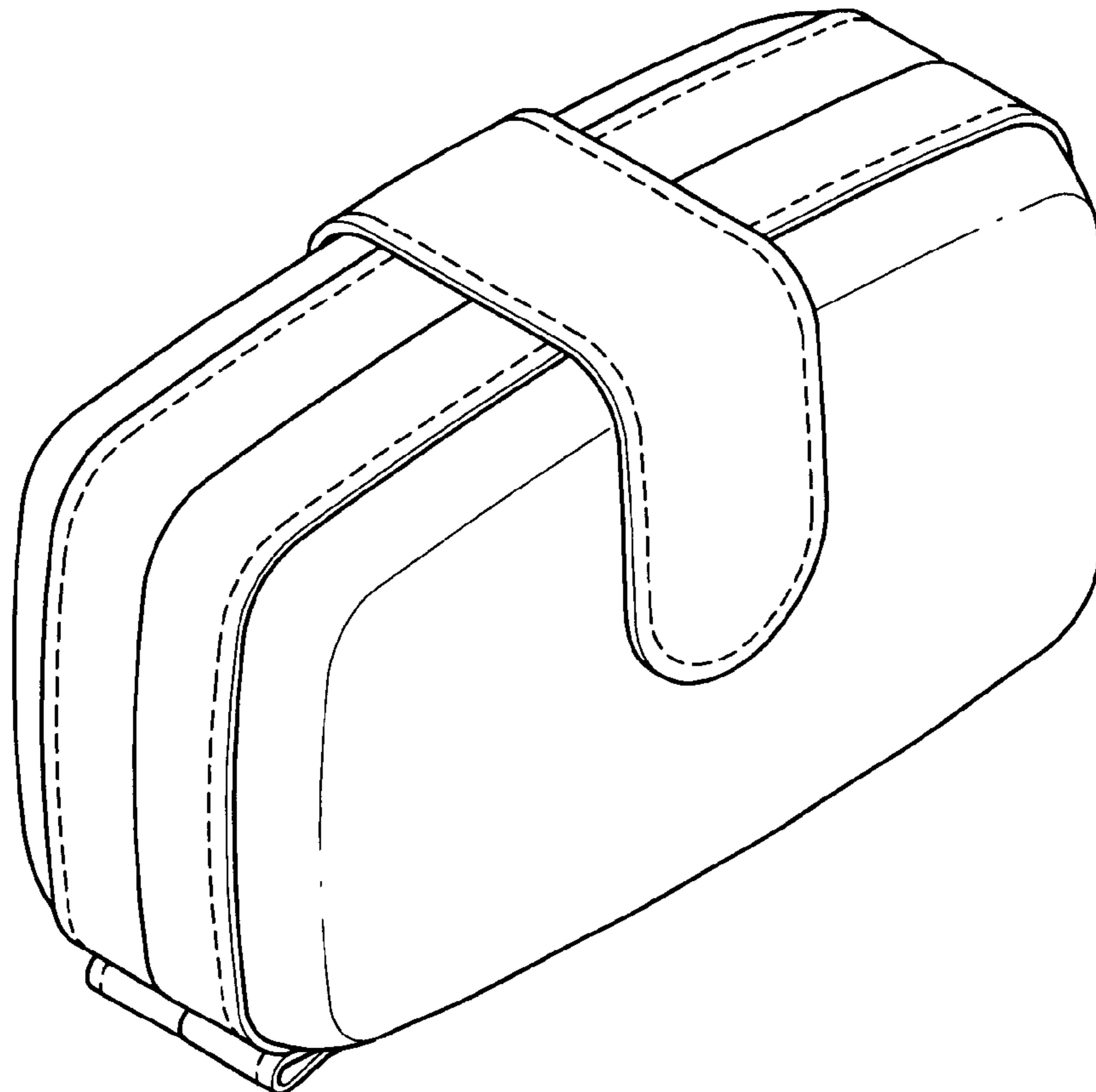


FIG. 1

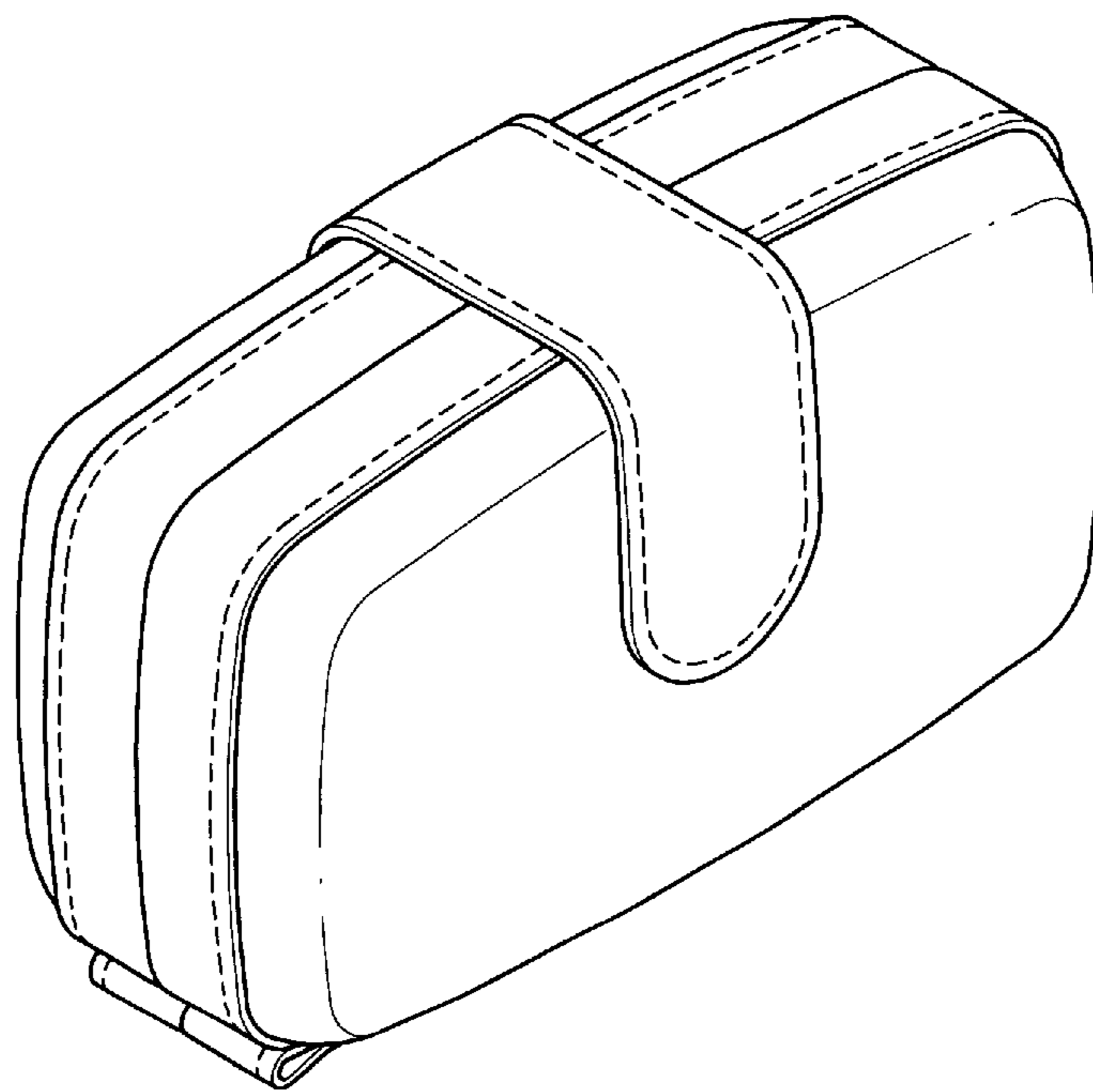


FIG. 2

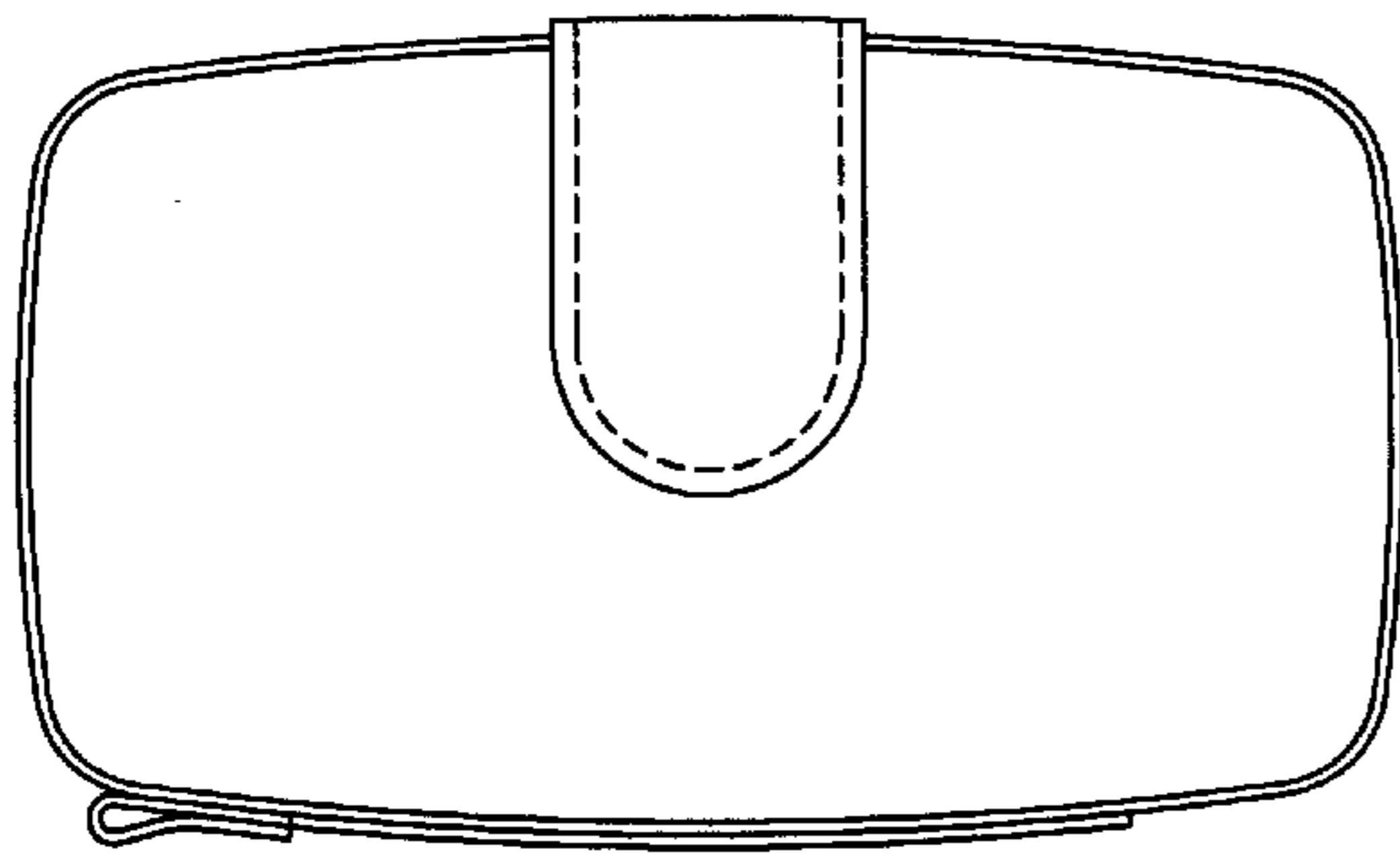


FIG. 3

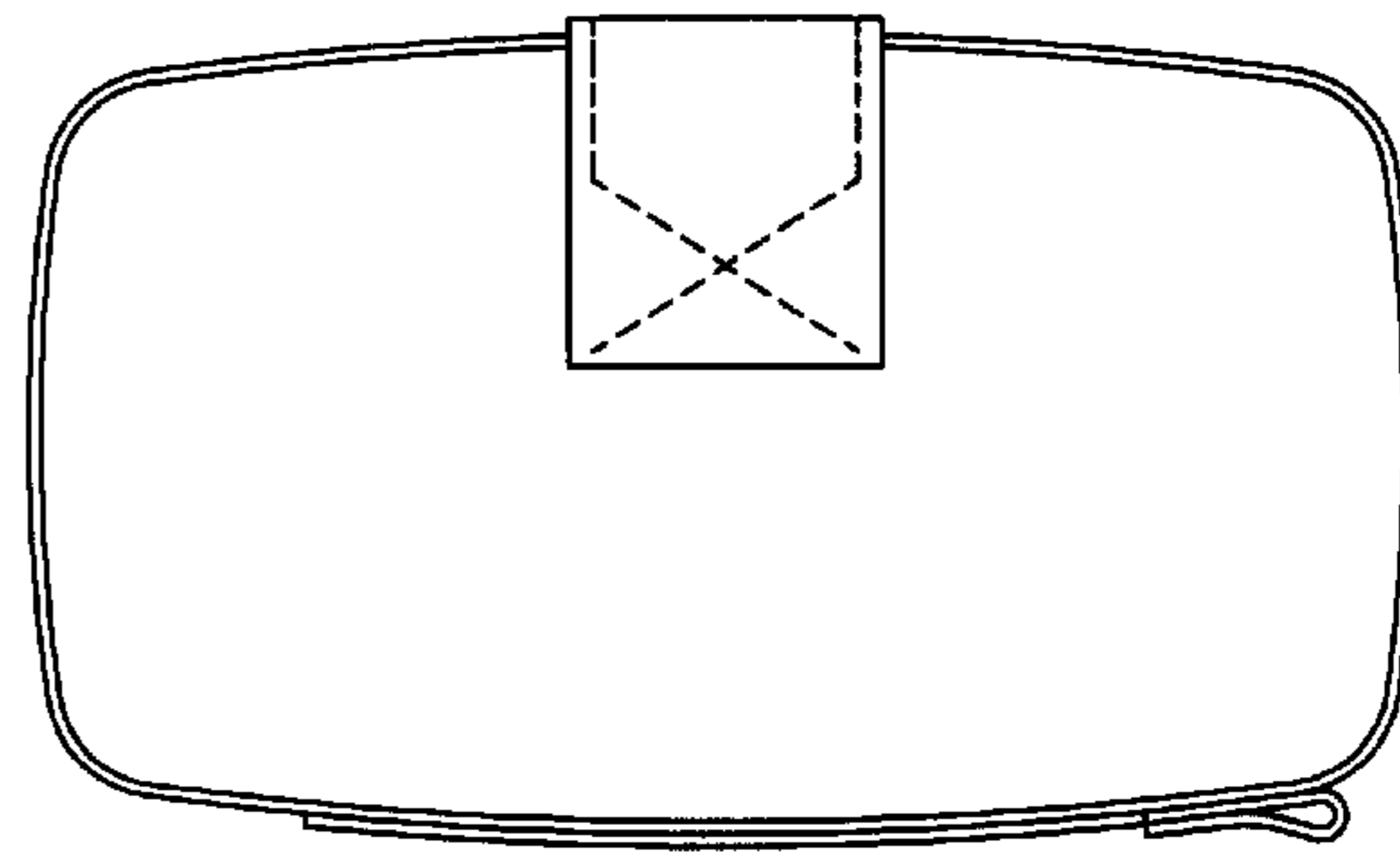


FIG. 4

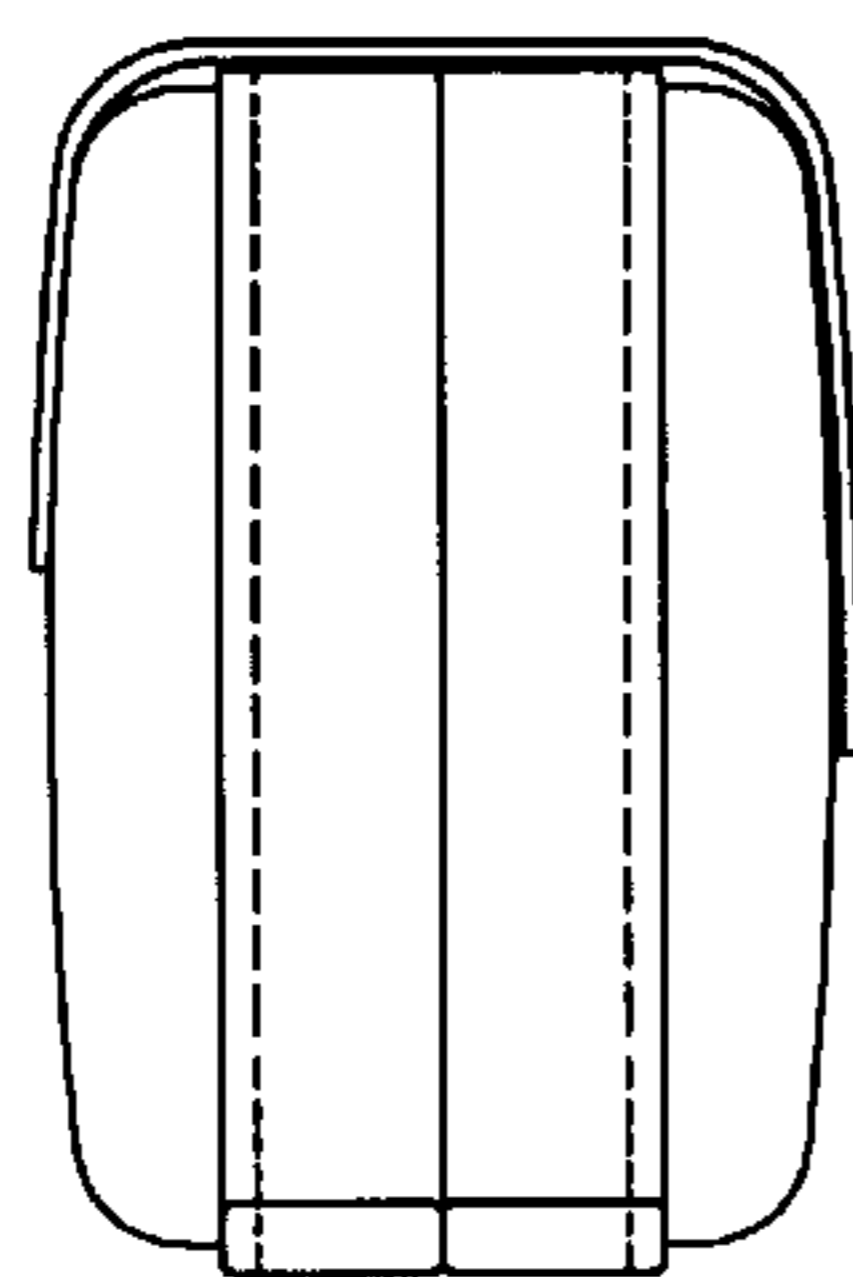


FIG. 5

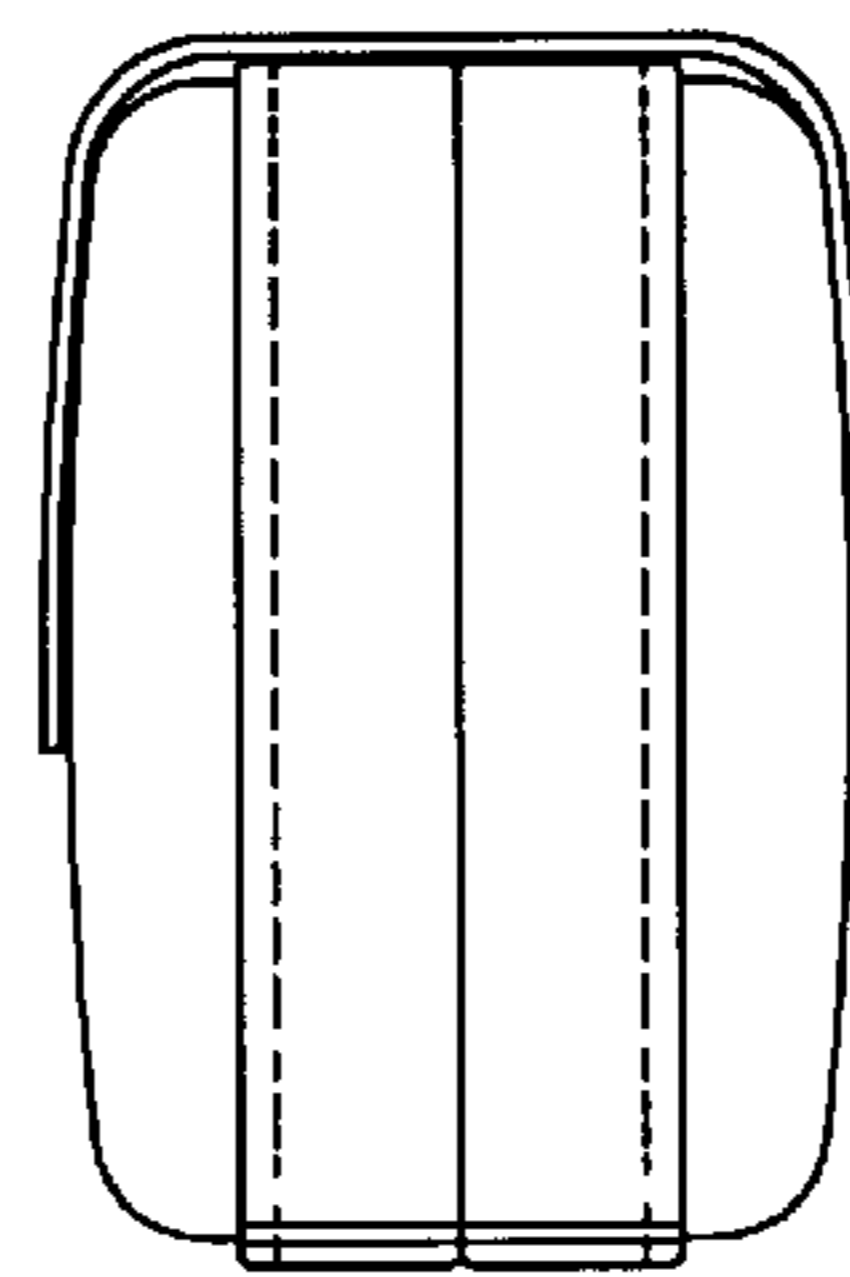


FIG. 6

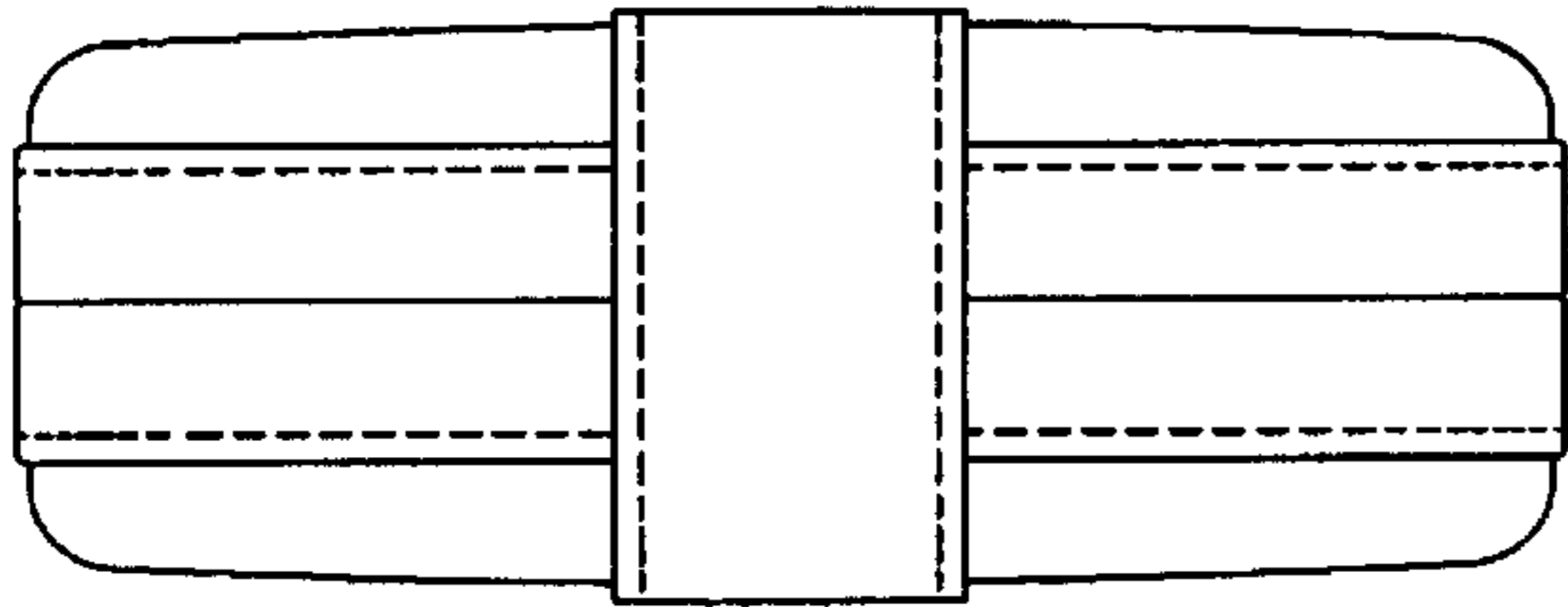


FIG. 7

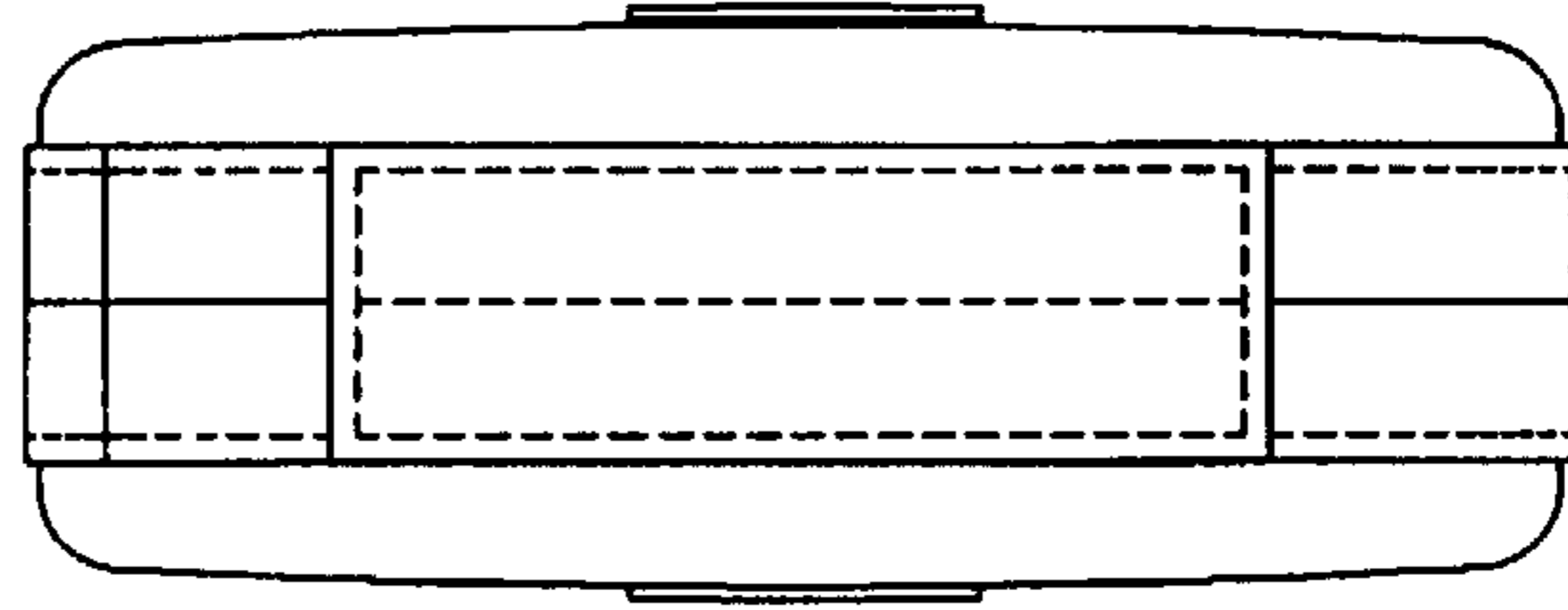


FIG. 8

