



US00D543021S

(12) **United States Design Patent**
Lee et al.

(10) **Patent No.:** **US D543,021 S**
(45) **Date of Patent:** **** May 22, 2007**

(54) **COLLAPSIBLE BACKPACK WITH A SEPARABLE BOOK-CARRYING CASE**

D386,300 S 11/1997 Kopel
D412,787 S 8/1999 Young
6,015,072 A 1/2000 Young

(76) Inventors: **Patricia Matthews Lee**, 1161 St. Charles Pl., Gainesville, GA (US) 30501; **Amy Wegner**, 2634 Blaine Ave. SE., Grand Rapids, MI (US) 49507

(Continued)

Primary Examiner—Celia A. Murphy
(74) *Attorney, Agent, or Firm*—Hogan & Hartson LLP

(**) **Term:** **14 Years**

(57) **CLAIM**

(21) **Appl. No.:** **29/233,272**

We claim the ornamental design for the collapsible backpack with a separable book-carrying case, as shown and described.

(22) **Filed:** **Jul. 1, 2005**

DESCRIPTION

Related U.S. Application Data

(63) Continuation of application No. 29/211,551, filed on Aug. 18, 2004, now abandoned.

(51) **LOC (8) Cl.** **03-01**

(52) **U.S. Cl.** **D3/217; D3/216**

(58) **Field of Classification Search** D3/216,
D3/217, 242; 224/153, 155, 578, 582, 579,
224/636

See application file for complete search history.

FIG. 1 is a perspective view of a collapsible backpack with a separable book-carrying case showing our new design in an expanded configuration;

FIG. 2 is a front elevational view thereof;

FIG. 3 is a rear elevational view thereof;

FIG. 4 is a left side elevational view thereof;

FIG. 5 is a right side elevational view thereof;

FIG. 6 is a top plan view thereof;

FIG. 7 is a bottom plan view thereof;

FIG. 8 is a perspective view thereof, wherein the separable book carrying case is shown separated from the collapsible bag;

FIG. 9 is a perspective view thereof showing the backpack attached to the book carrying case, in a fully collapsed configuration;

FIG. 10 is a bottom plan view of FIG. 9;

FIG. 11 is a top plan view of FIG. 9;

FIG. 12 is a left elevational view of FIG. 9;

FIG. 13 is right elevational view of FIG. 9;

FIG. 14 is a front elevational view of FIG. 9; and,

FIG. 15 is a rear elevational view of FIG. 9.

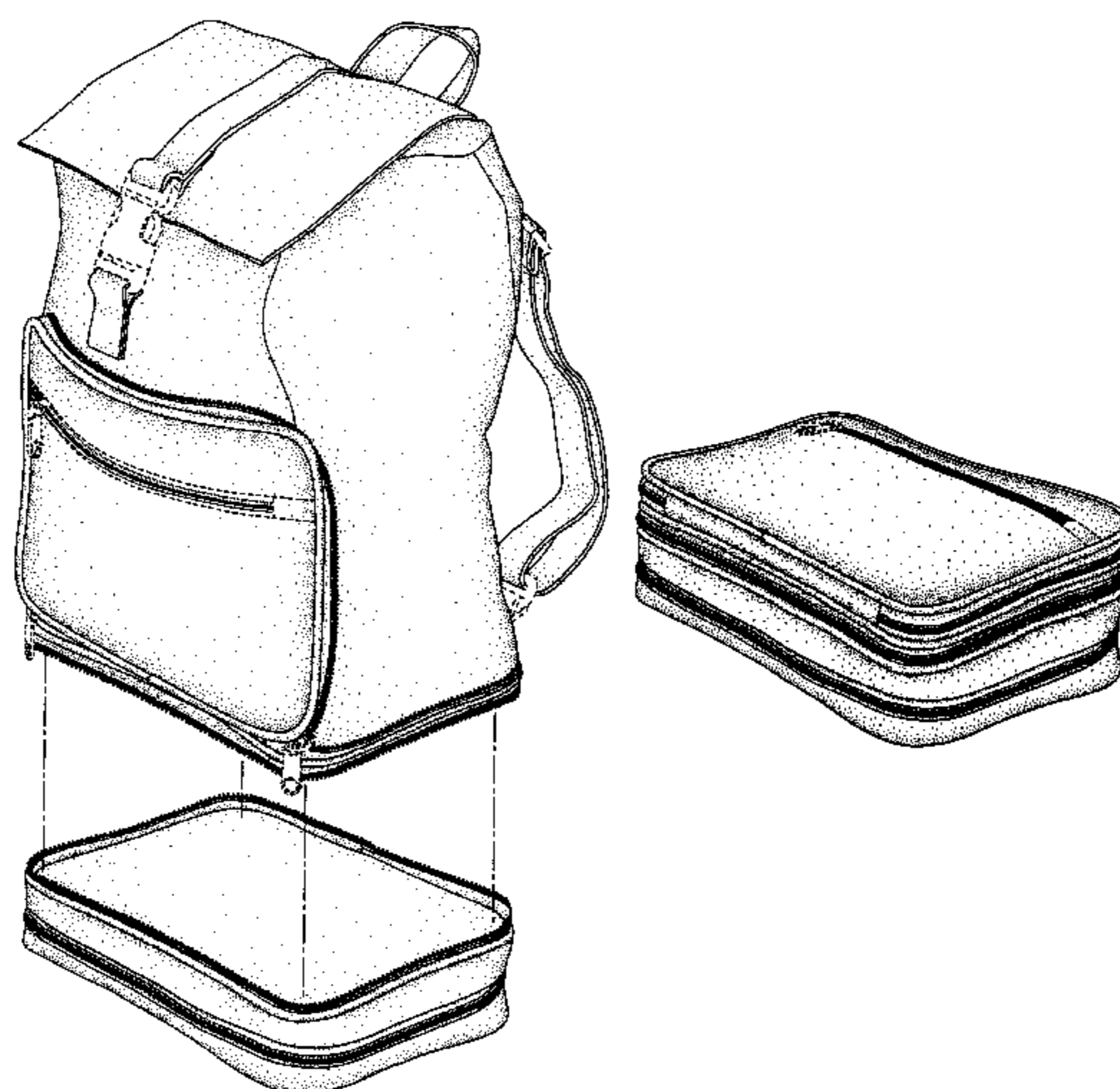
The broken lines shown directly on the surface of the claimed article in FIGS. 1, 2, 4, 5, 8, 9, 12, 13, and 14 are understood to represent stitching. The broken lines showing clasps, fastener-pulls, and strap rings throughout the views represent the portions of the design that form no part of the claim.

(56) **References Cited**

U.S. PATENT DOCUMENTS

3,530,919 A	9/1970	May
D278,763 S	5/1985	Allen
D282,315 S	1/1986	Allen
D282,602 S	2/1986	Allen
D284,425 S	7/1986	Allen
D284,620 S	7/1986	Calton
4,733,759 A	3/1988	Shih-Chen
4,756,394 A	7/1988	Cohen
4,767,039 A	8/1988	Jacober
4,825,506 A	5/1989	Weltz
4,901,897 A	2/1990	Briggs et al.
4,940,173 A	7/1990	Jacober
5,184,763 A	2/1993	Blaisdell et al.
5,402,869 A	4/1995	Saltzman
5,526,907 A	6/1996	Trawick et al.
5,544,792 A	8/1996	Arnwine
D375,622 S	11/1996	Croft

1 Claim, 15 Drawing Sheets



US D543,021 S

Page 2

U.S. PATENT DOCUMENTS							
D420,792	S	2/2000	Sakelliou et al.	6,659,320	B1	12/2003	Alves et al.
6,059,078	A	5/2000	Nykoluk	6,779,638	B2	8/2004	Renz et al.
6,189,750	B1	2/2001	Von Neumann	6,821,019	B2	* 11/2004	Mogil 383/110
D441,190	S	5/2001	Eskandry	D500,590	S	1/2005	Sachen
6,230,331	B1	5/2001	Aguilar et al.	D526,120	S	* 8/2006	Lee et al. D3/233
6,230,952	B1	5/2001	Jupiter	7,111,731	B2	* 9/2006	Pratt et al. 206/315.5
6,290,114	B1	9/2001	Berberian	7,124,921	B1	* 10/2006	Hubbell 224/148.2
D450,448	S	11/2001	Pierce et al.	2002/0104859	A1	8/2002	Kelliner et al.
6,547,114	B2	4/2003	Smith	2002/0130004	A1	9/2002	Lin
6,591,950	B1	7/2003	Sciicluna	2002/0189278	A1	* 12/2002	Defelice et al. 62/457.2
6,612,472	B1	9/2003	Zakarin	2003/0024960	A1	* 2/2003	Greenstein et al. 224/153
D482,525	S	11/2003	Fair	2003/0057246	A1	3/2003	Painter
6,644,063	B2	* 11/2003	Mogil 62/457.2	2003/0097713	A1	5/2003	Kinchen et al.

* cited by examiner

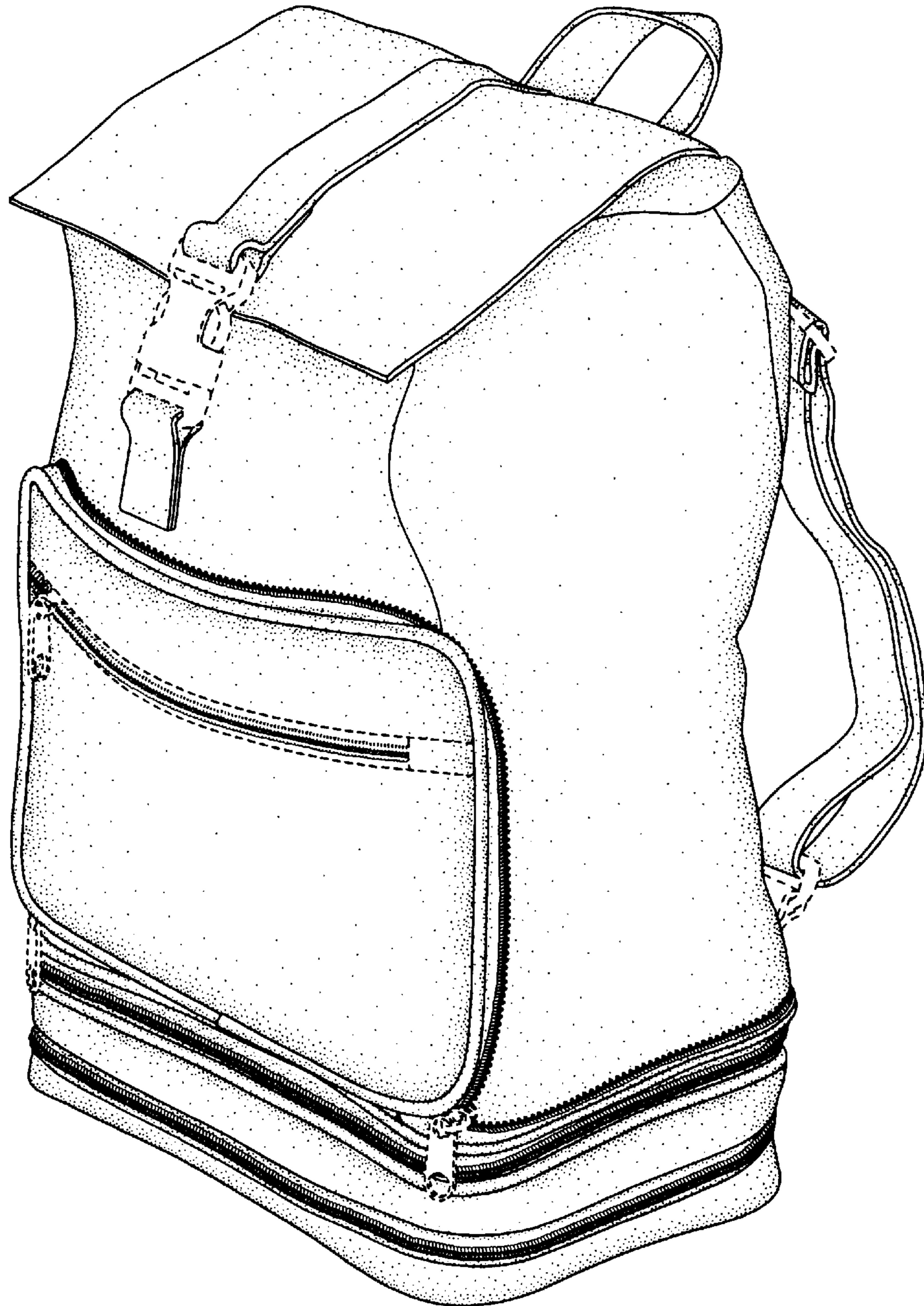


FIG. 1

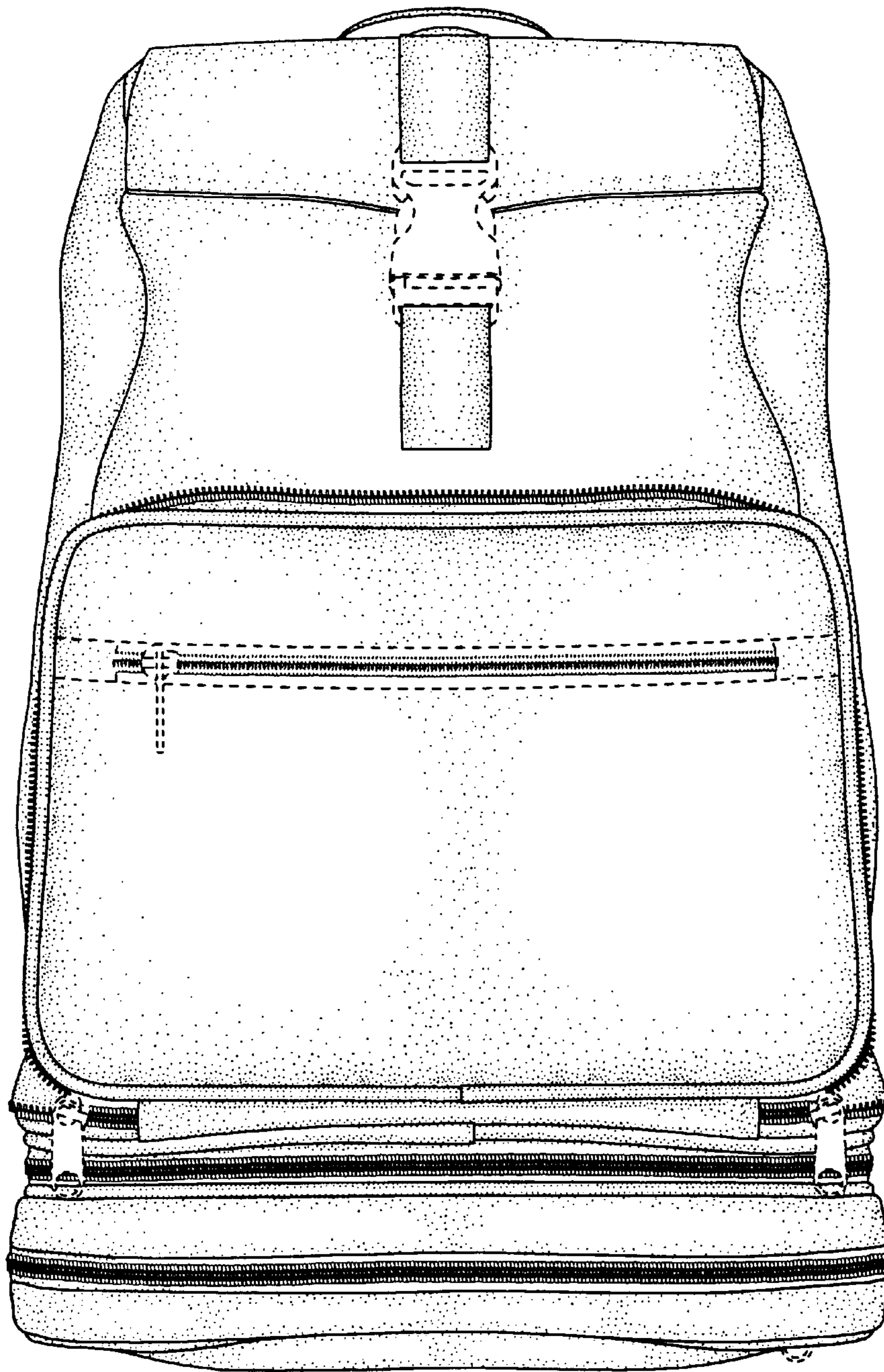


FIG. 2

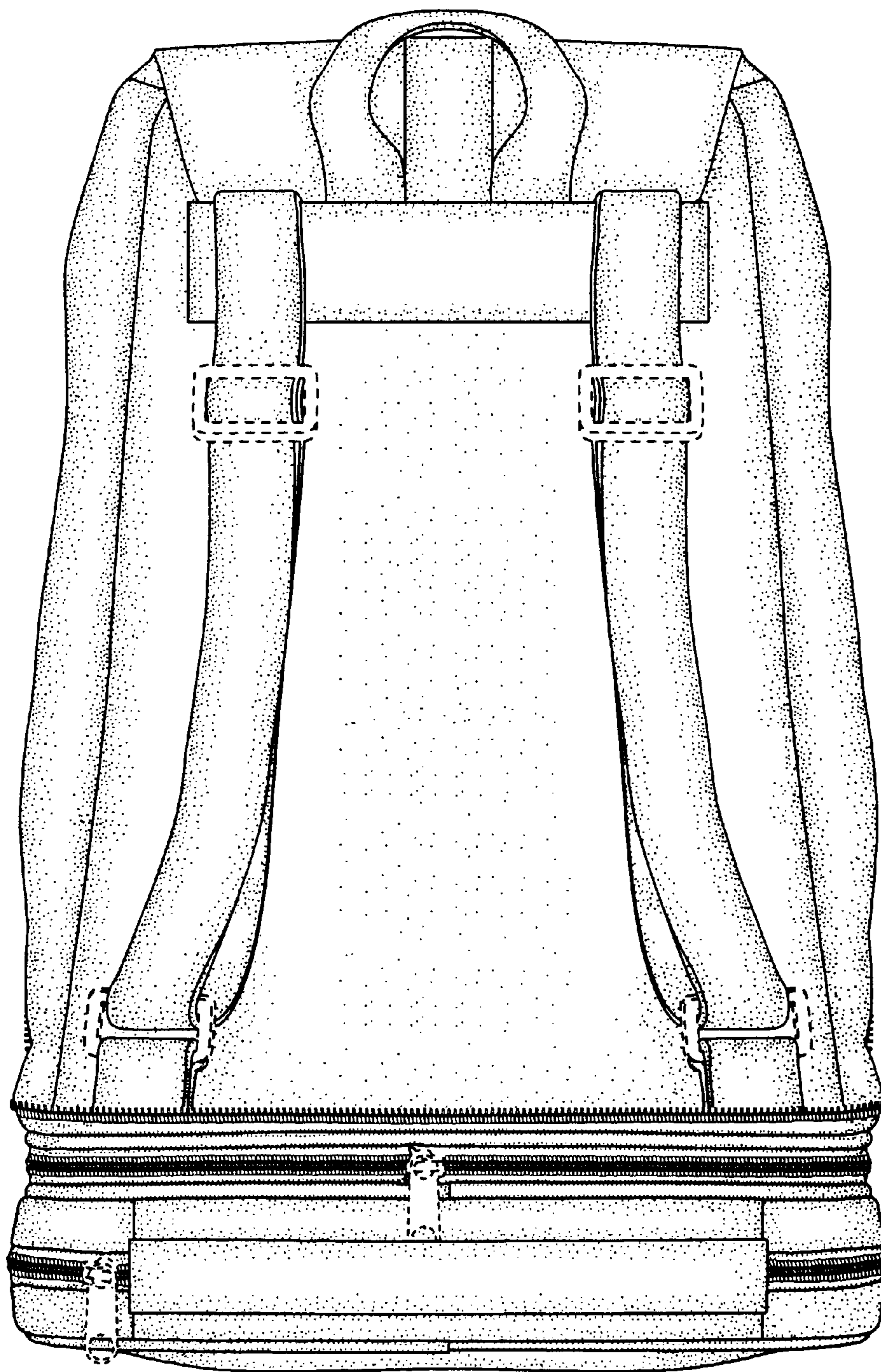


FIG. 3



FIG. 4

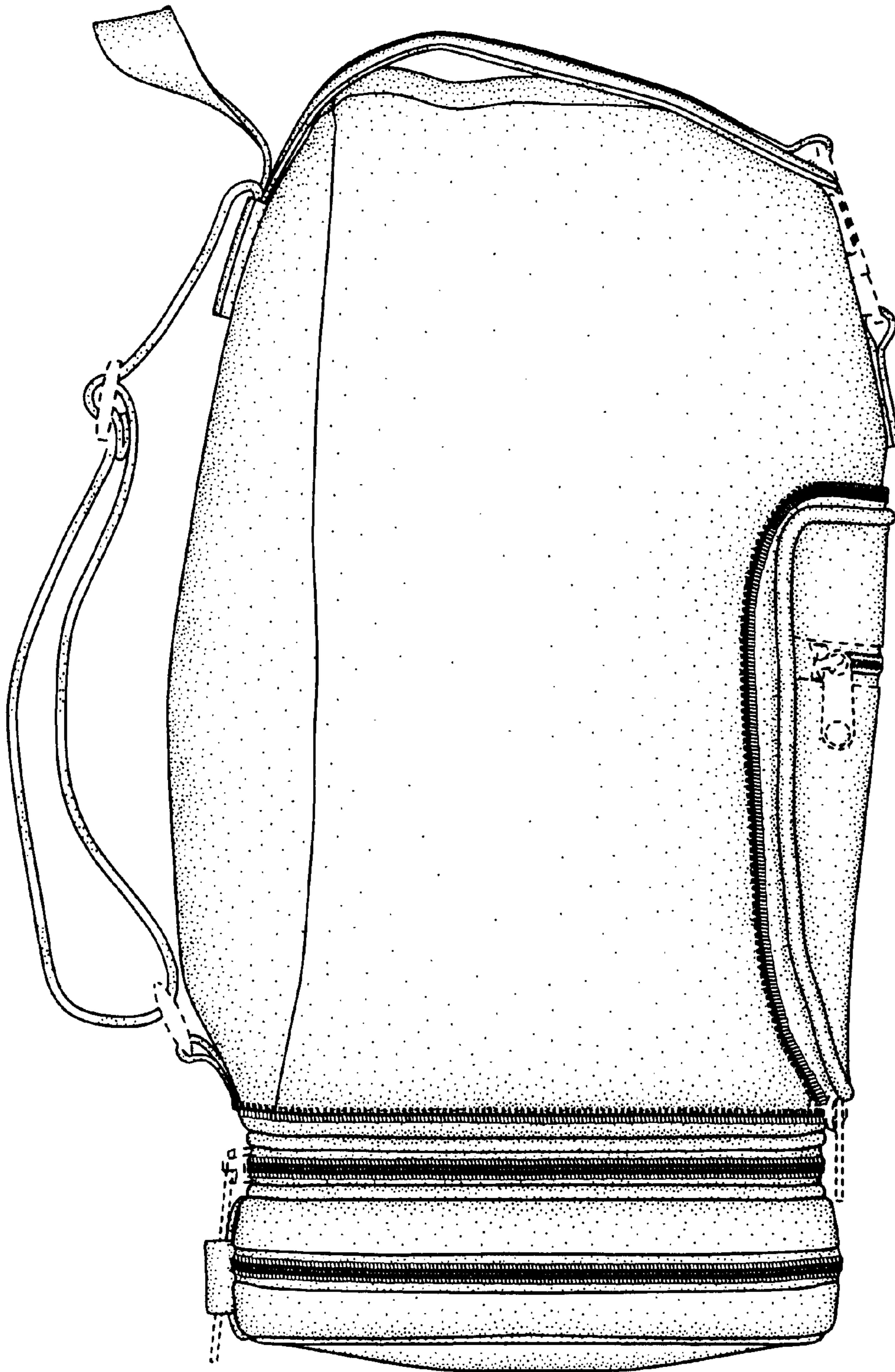


FIG. 5

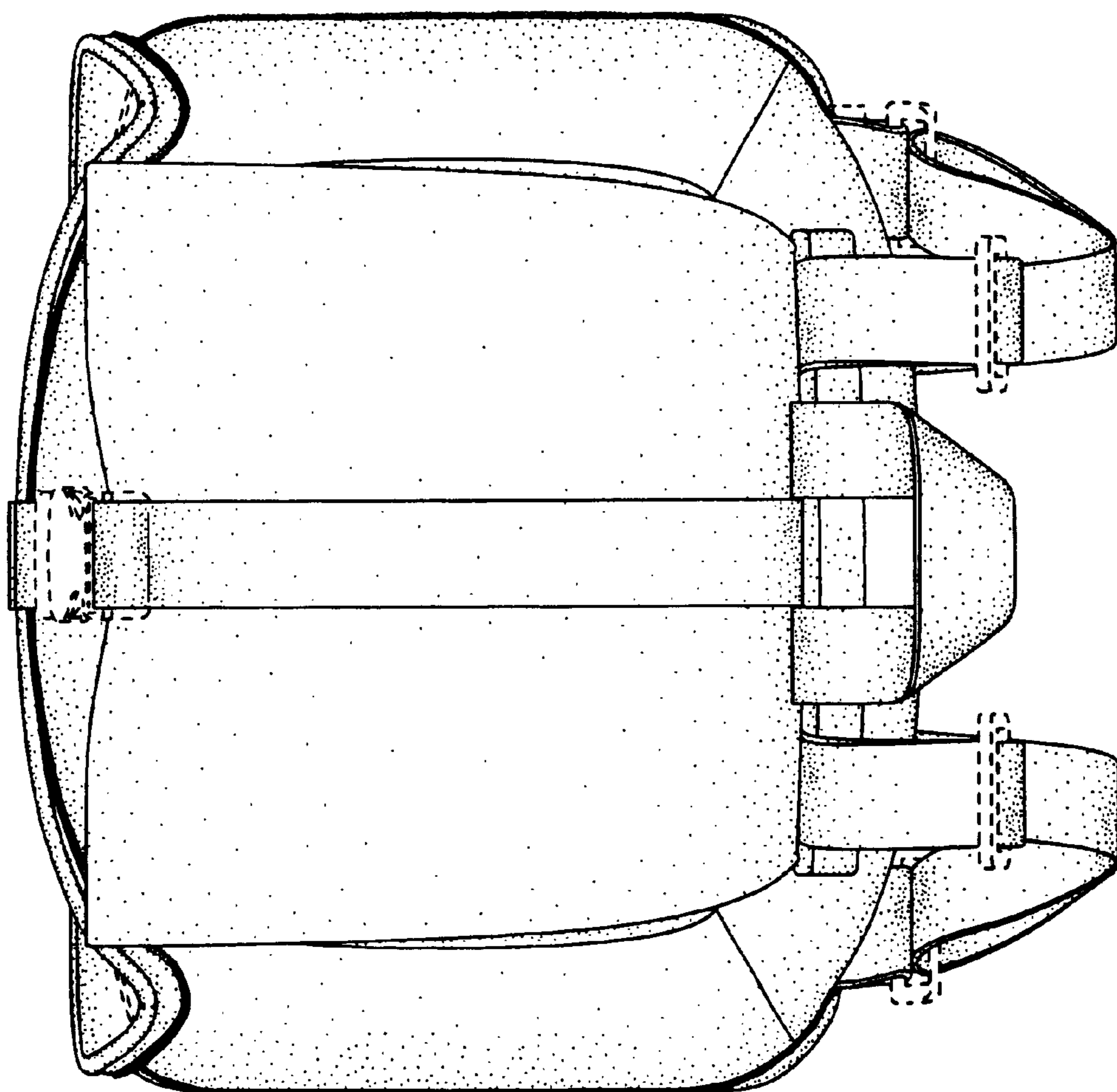


FIG. 6

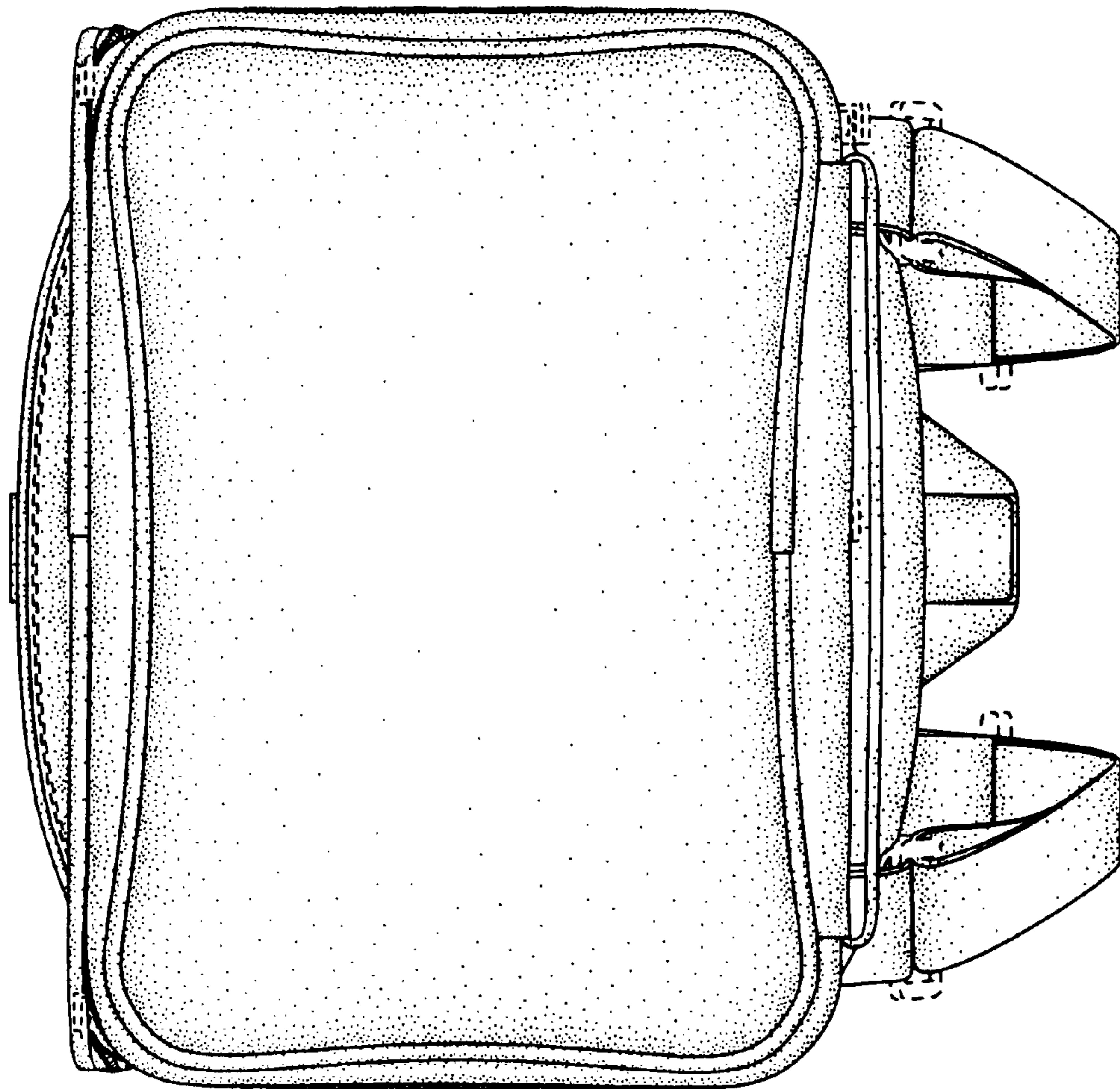


FIG. 7

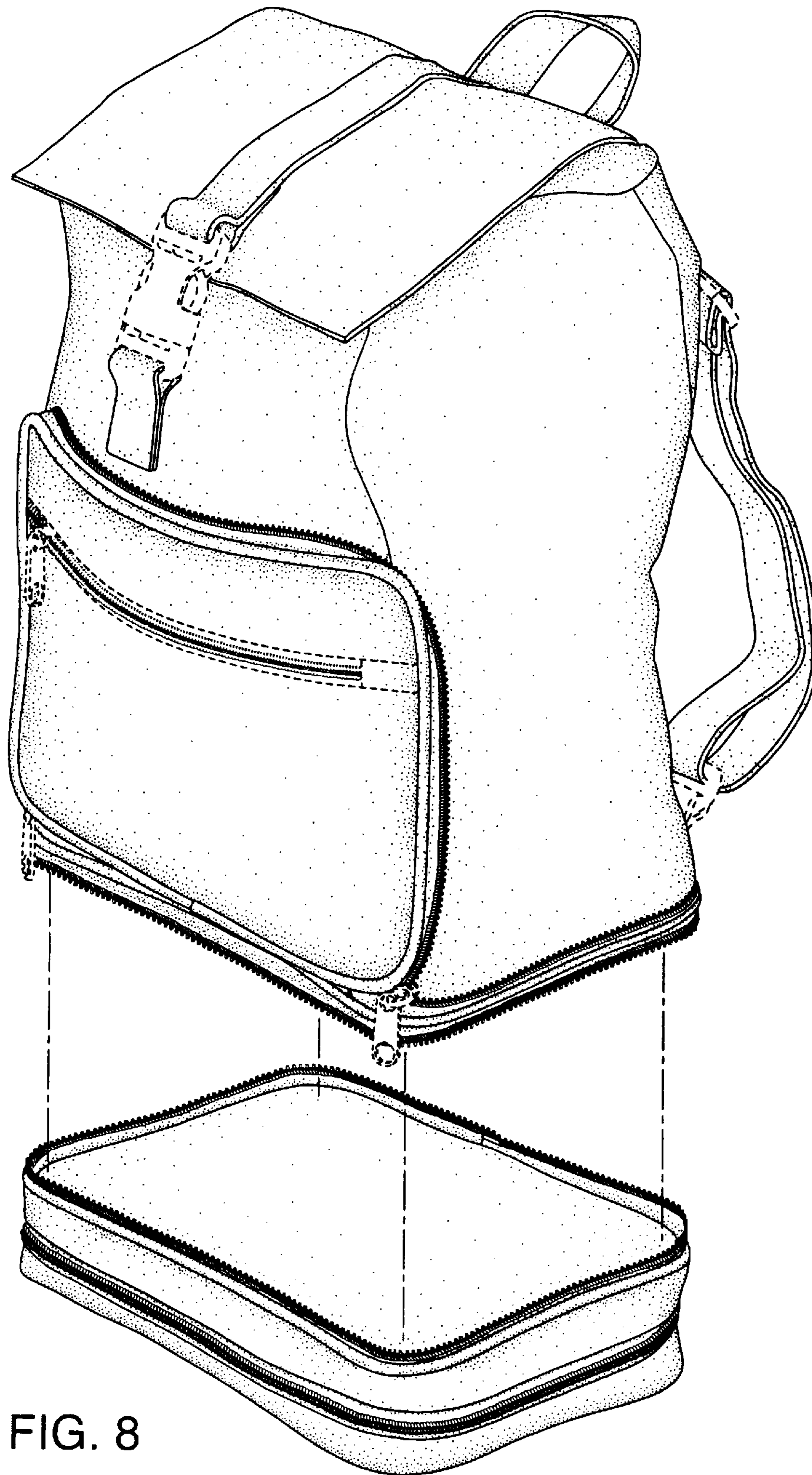


FIG. 8

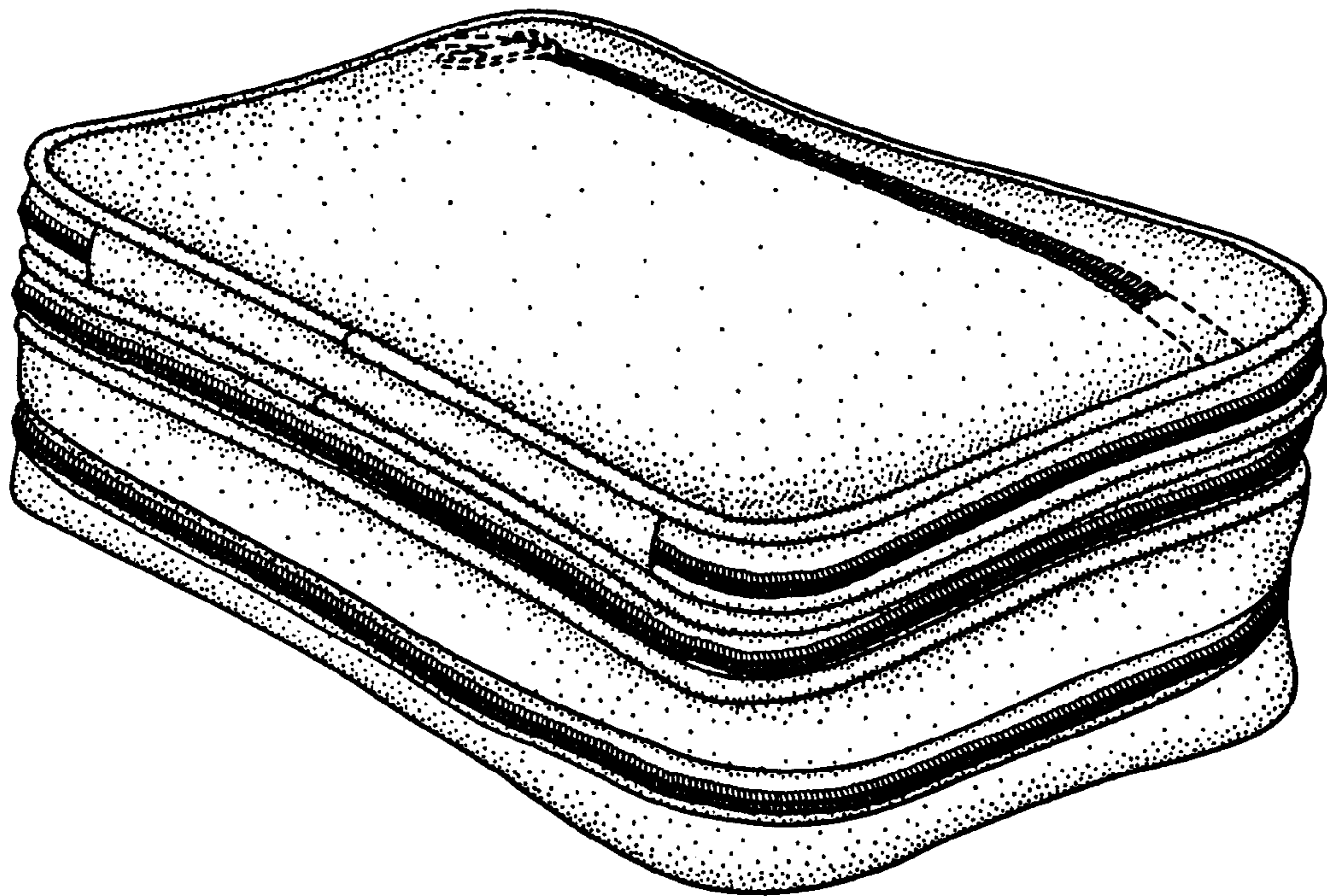


FIG. 9

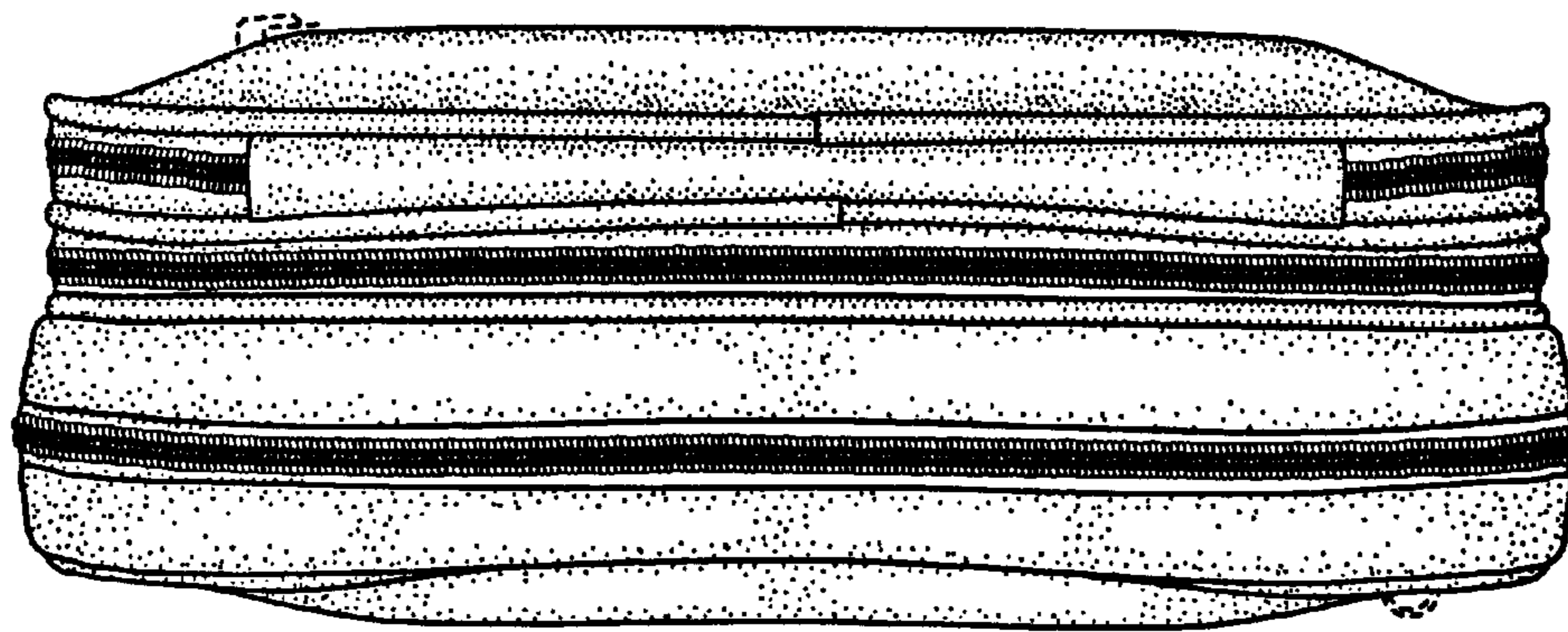


FIG. 10

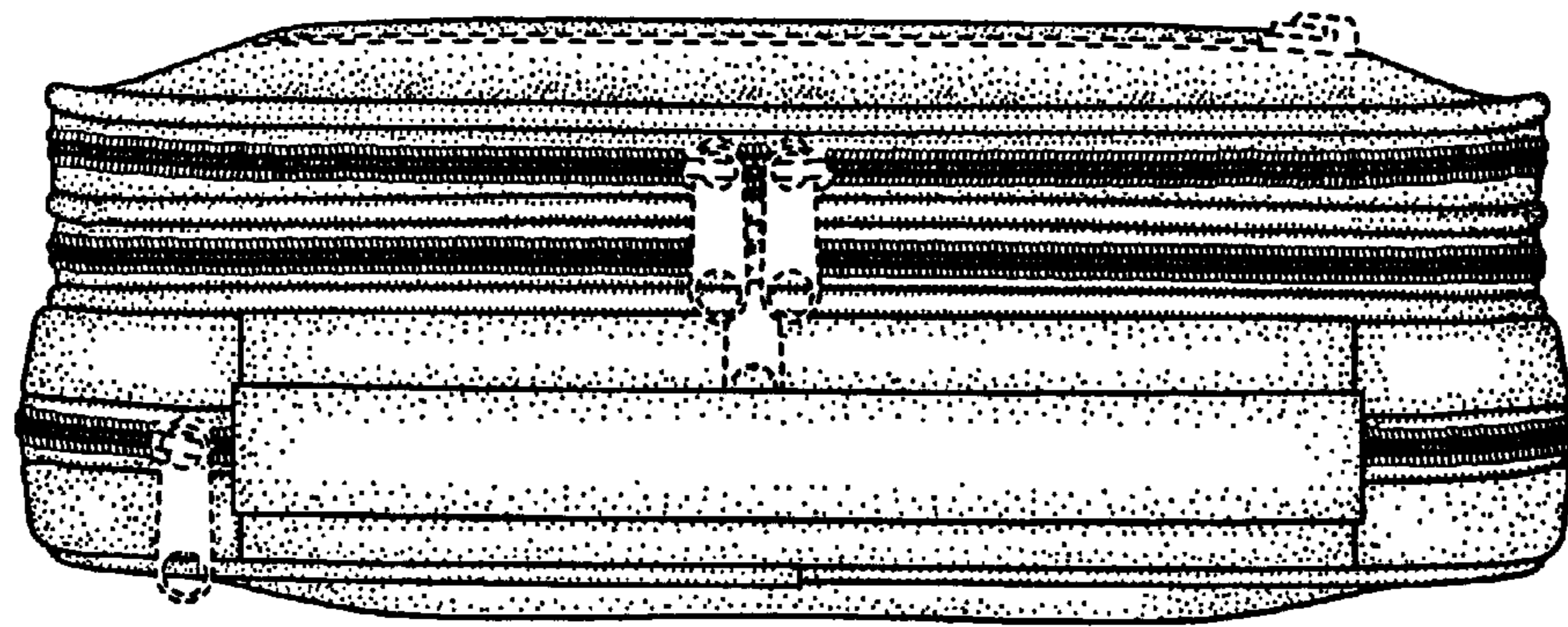


FIG. 11

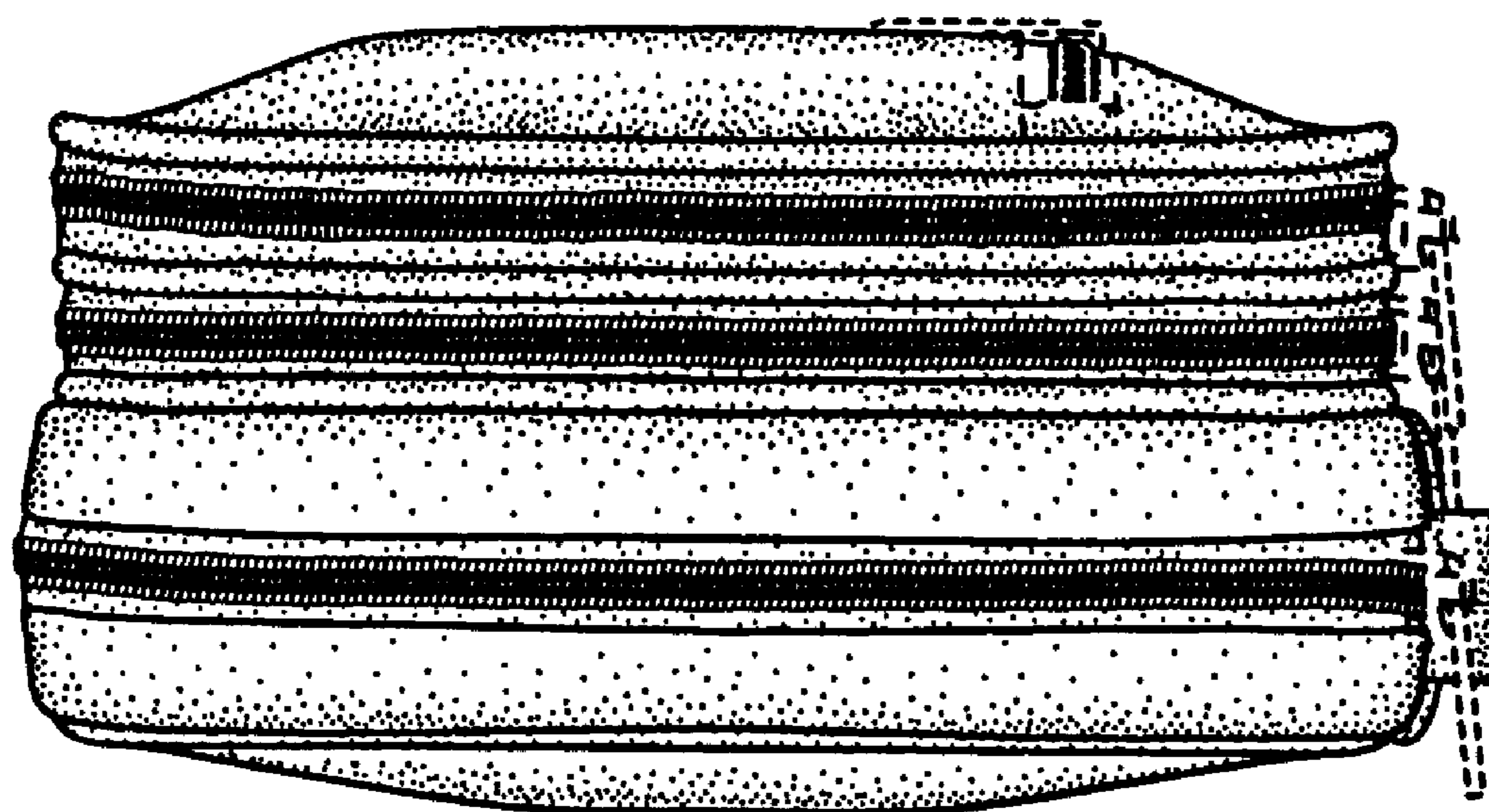


FIG. 12

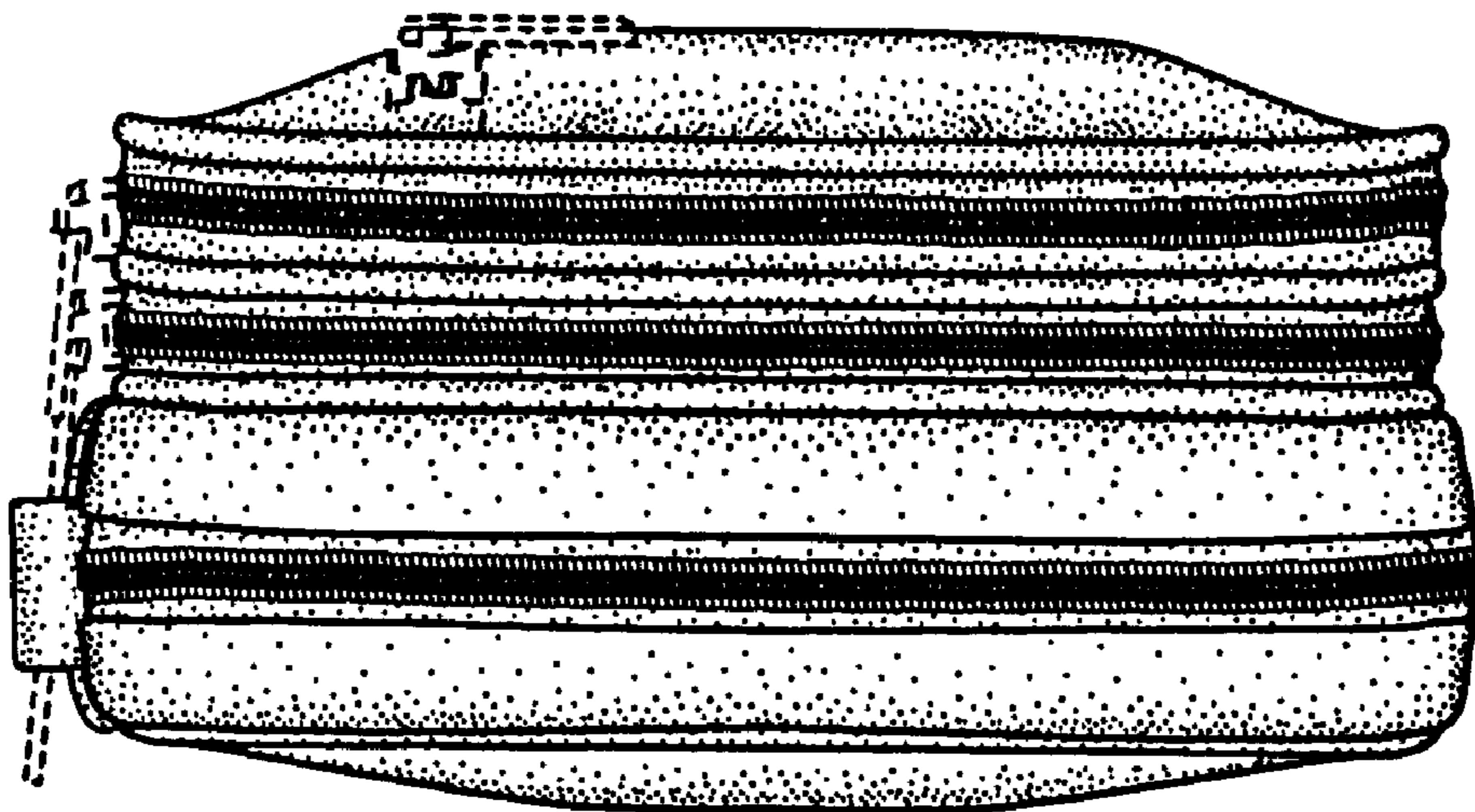


FIG. 13

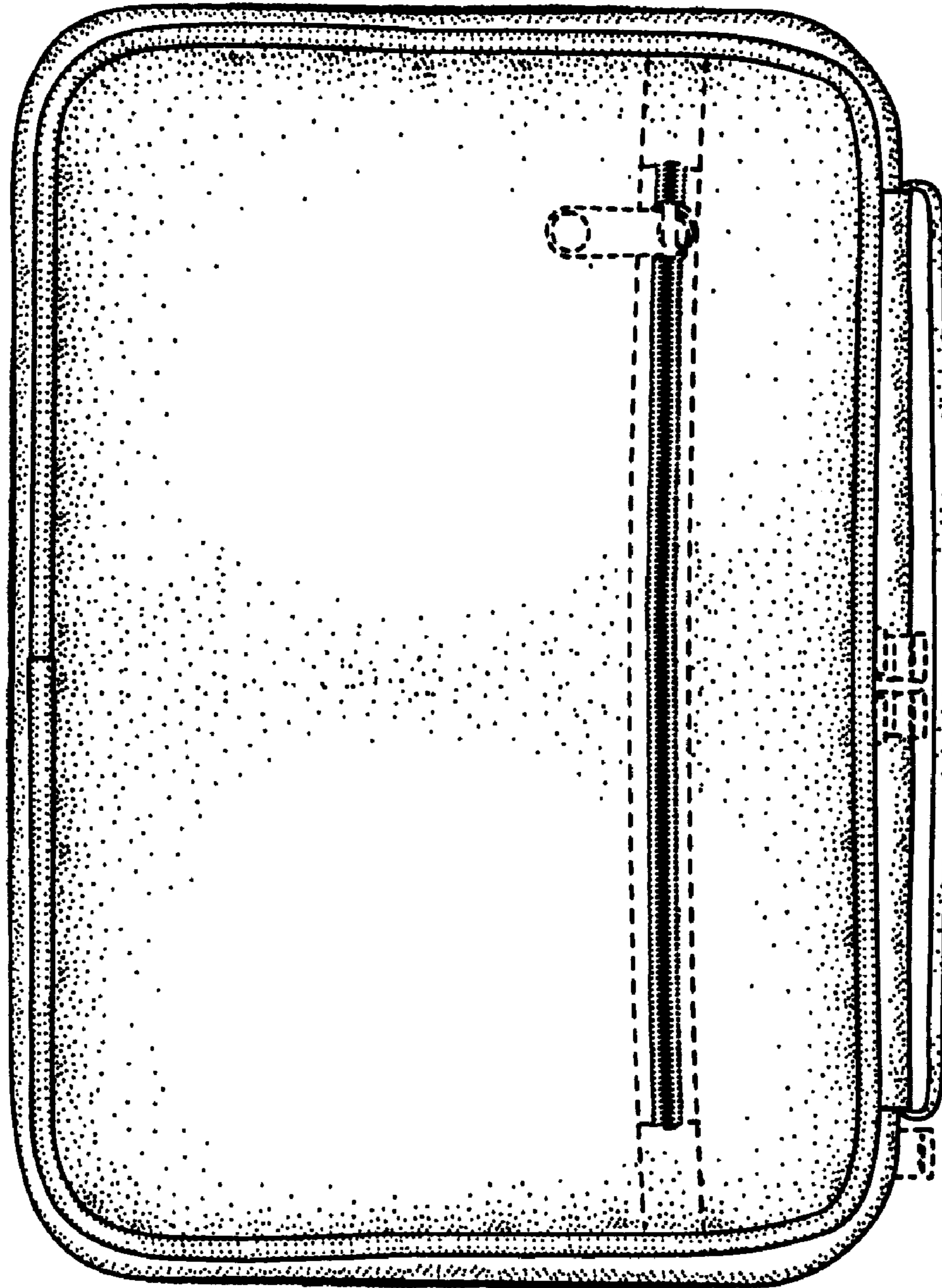


FIG. 14

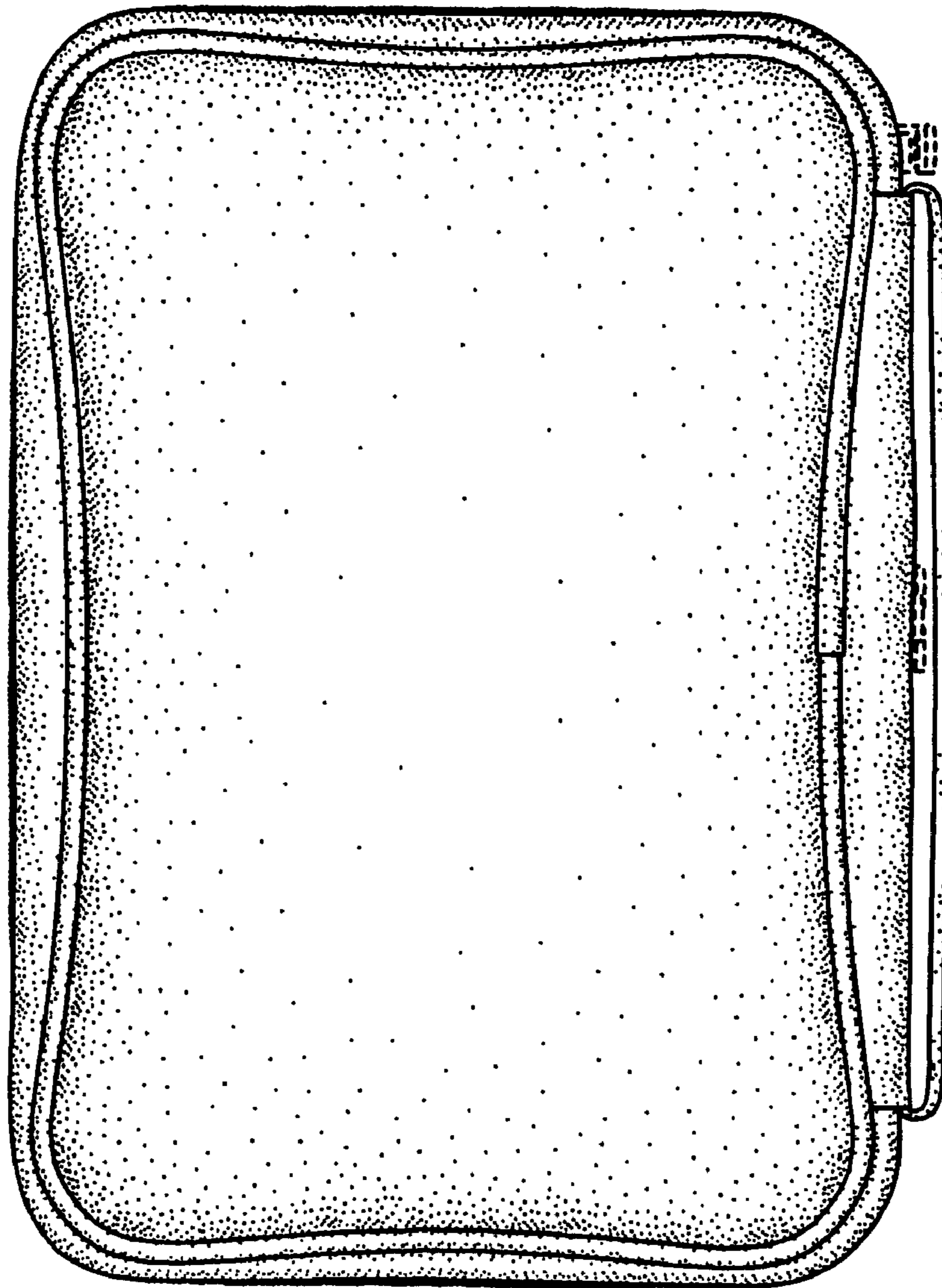


FIG. 15