

US00D543020S

(12) **United States Design Patent**
Kha

(10) **Patent No.:** **US D543,020 S**

(45) **Date of Patent:** **** *May 22, 2007**

(54) **HANDCUFF CASE**

(76) Inventor: **Yauna Kha**, 5107 Aspen St., Ste. E,
Schofield, WI (US) 54476

(*) Notice: This patent is subject to a terminal disclaimer.

(**) Term: **14 Years**

(21) Appl. No.: **29/255,511**

(22) Filed: **Mar. 9, 2006**

(51) **LOC (8) Cl.** **03-01**

(52) **U.S. Cl.** **D3/215; D3/226**

(58) **Field of Classification Search** 224/198,
224/193, 245, 250, 255, 231, 162, 242, 269,
224/627, 681; D3/222, 226, 229, 230, 201,
D3/225, 100, 101, 102, 104, 105, 106; D2/630
See application file for complete search history.

(56) **References Cited**

U.S. PATENT DOCUMENTS

1,517,588	A	*	12/1924	Sasaki	224/242
D232,025	S	*	7/1974	Hershman	D3/222
3,826,414	A	*	7/1974	Valadez	224/231
3,870,208	A	*	3/1975	Theodore	224/250
D237,428	S	*	11/1975	Baker	D3/226
D238,629	S	*	2/1976	Tibbetts	D3/230
D296,269	S	*	6/1988	Richardson et al.	D3/226
4,750,652	A	*	6/1988	Grant	224/627
4,852,784	A		8/1989	Burton, Jr.		
D331,497	S	*	12/1992	Dixon	D3/222
D338,106	S		8/1993	Elam		
D344,630	S	*	3/1994	Doerksen	D3/230

D364,038	S		11/1995	Stanchin		
5,511,706	A		4/1996	Hendrickson		
5,918,786	A		7/1999	Wise		
2005/0115997	A1	*	6/2005	Nouvel De La Fleche	.	224/162

* cited by examiner

Primary Examiner—Louis S. Zarfes

Assistant Examiner—Anna Dworzecka

(74) *Attorney, Agent, or Firm*—Randal D. Homburg

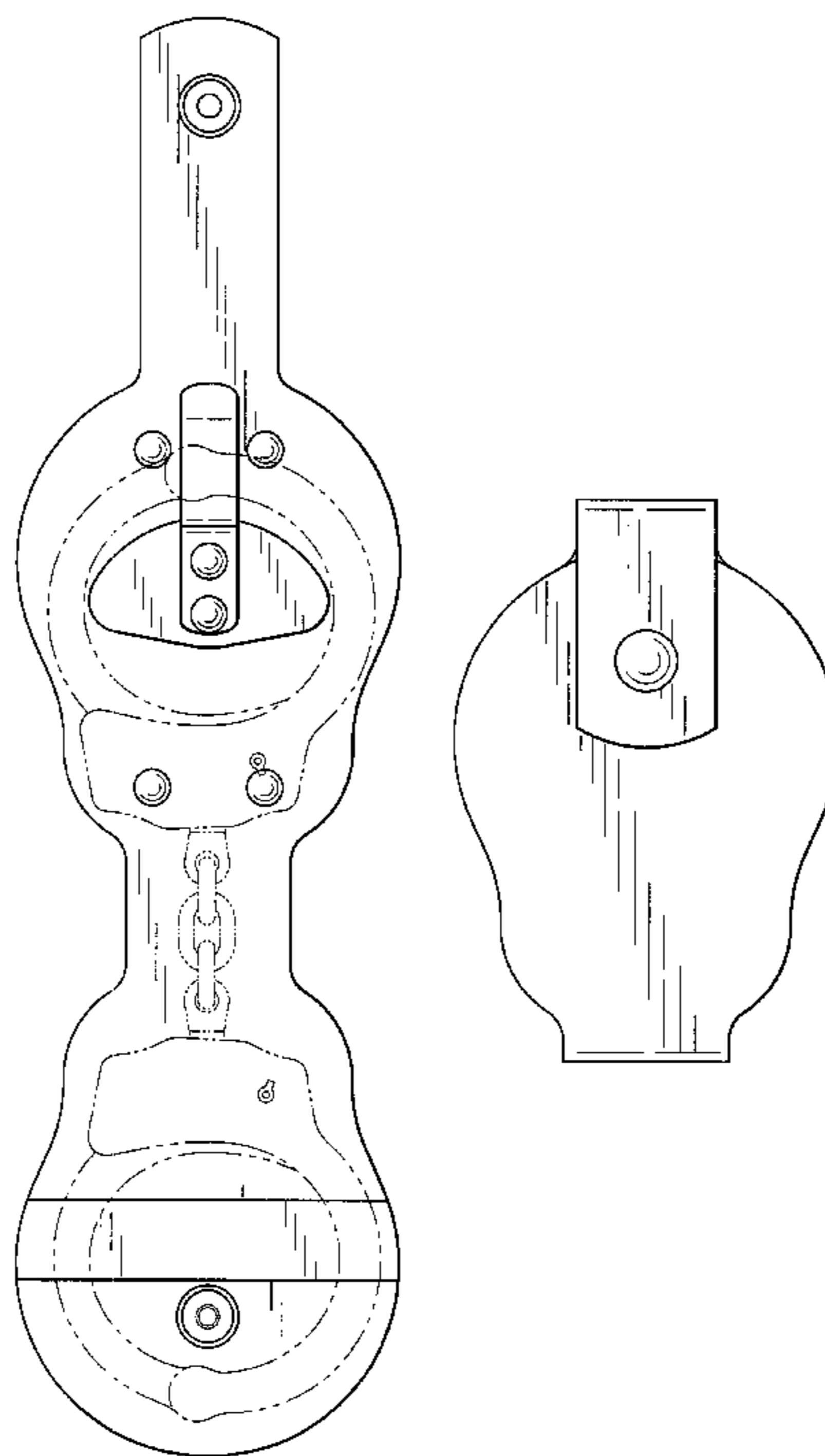
(57) **CLAIM**

The ornamental design for a handcuff case, as shown and described.

DESCRIPTION

FIG. 1 is a front view of the handcuff case.
 FIG. 2 is a rear view of the handcuff case.
 FIG. 3 is a top view of the handcuff case.
 FIG. 4 is a bottom view of the handcuff case.
 FIG. 5 is a right side view of the handcuff case.
 FIG. 6 is a left side view of the handcuff case.
 FIG. 7 is the front view of the handcuff case with phantom lines indicating a set of handcuffs within the handcuff case for reference only, the handcuffs not being included as part of the disclosed invention.
 FIG. 8 is a front view of the handcuff case in an alternative position; and,
 FIG. 9 is a rear view of the handcuff case in an alternative position with phantom lines indicating the handcuff case on a belt, indicating the environment upon which the handcuff case is used, the belt not being included as part of the disclosed invention.

1 Claim, 3 Drawing Sheets



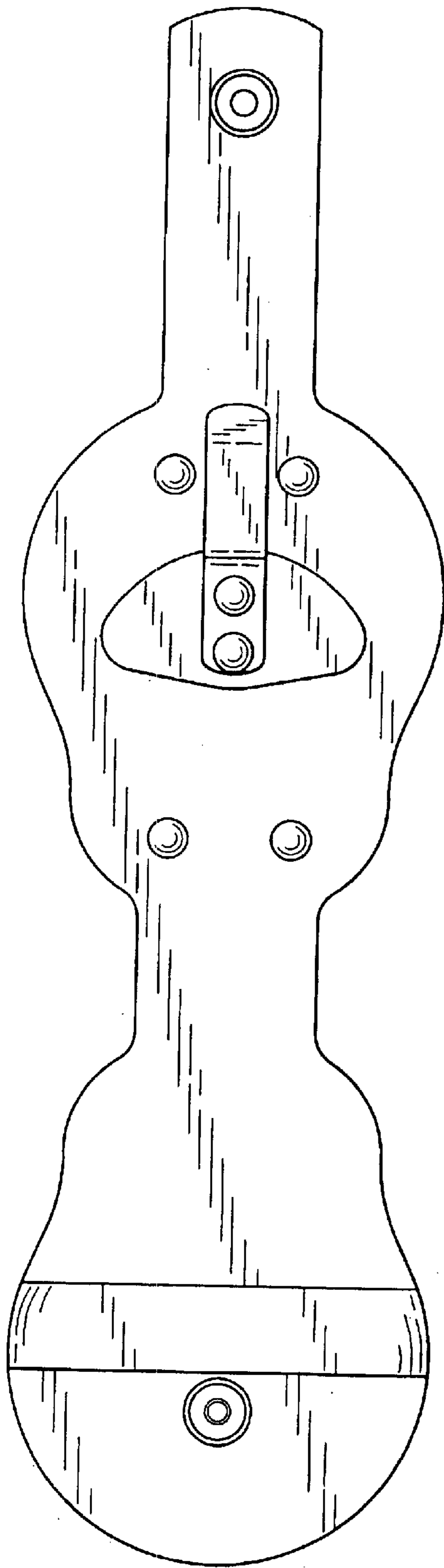


FIG. 1

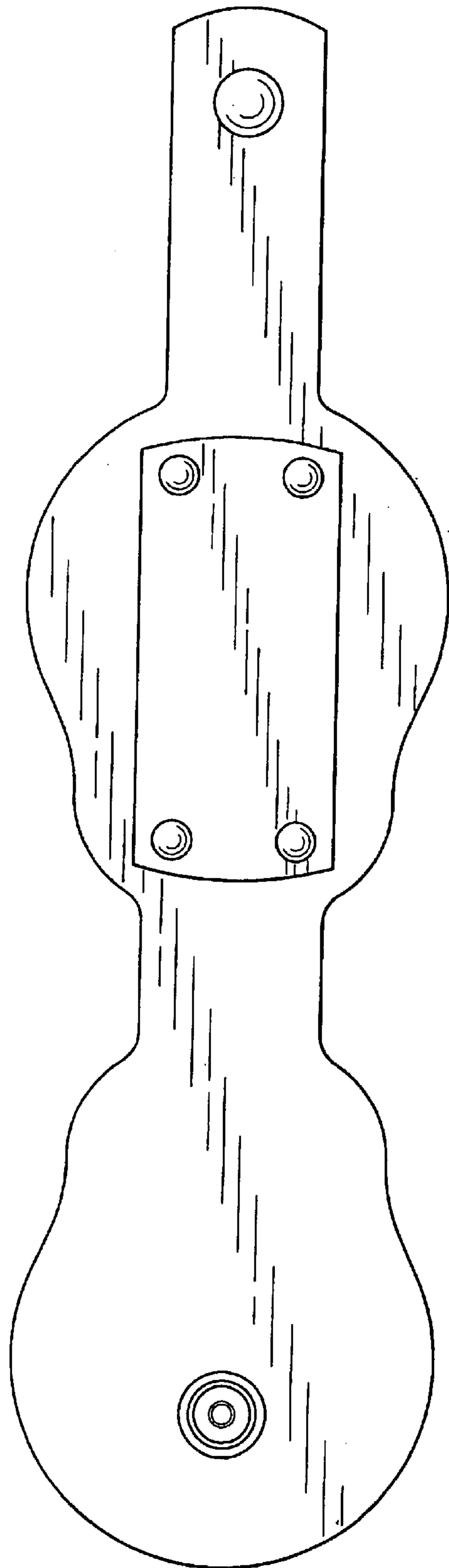


FIG. 2



FIG. 3

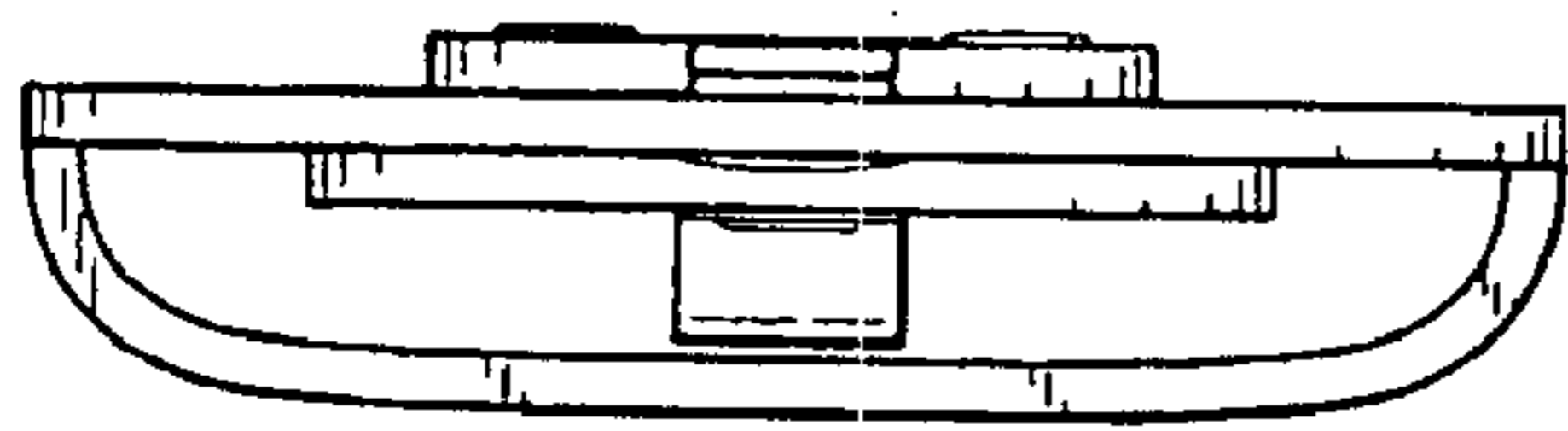


FIG. 4



FIG. 5

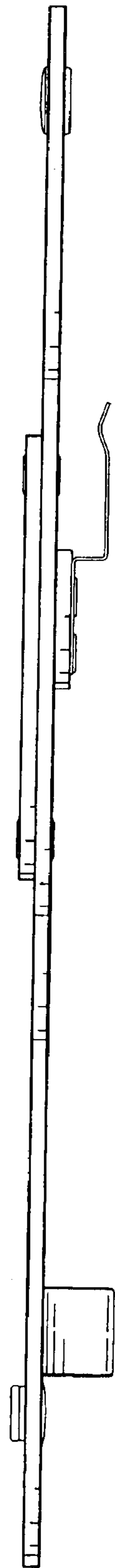


FIG. 6

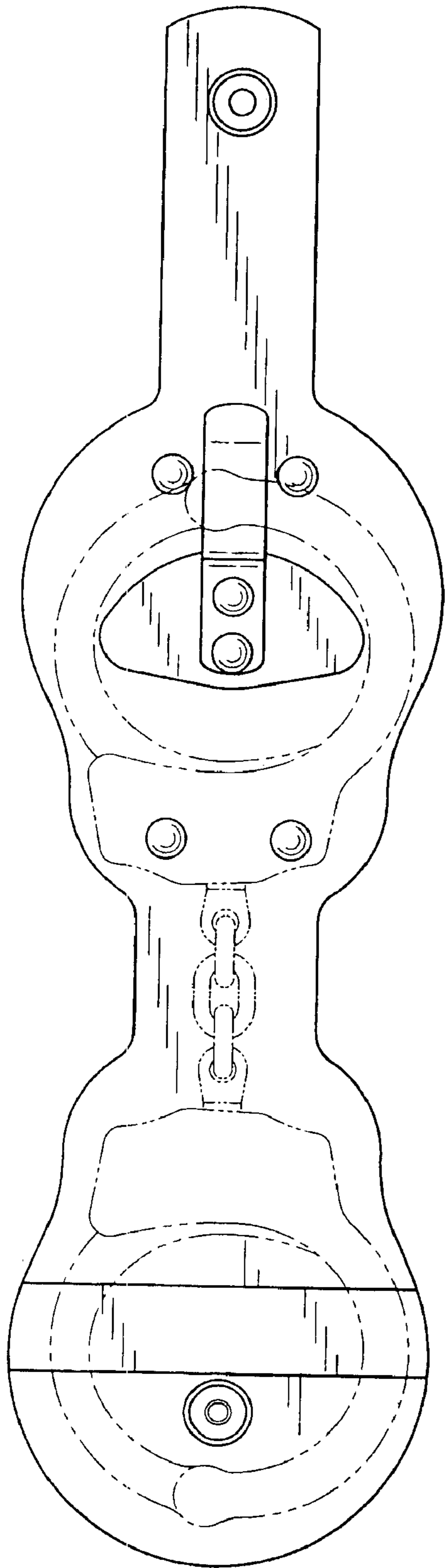


FIG. 7

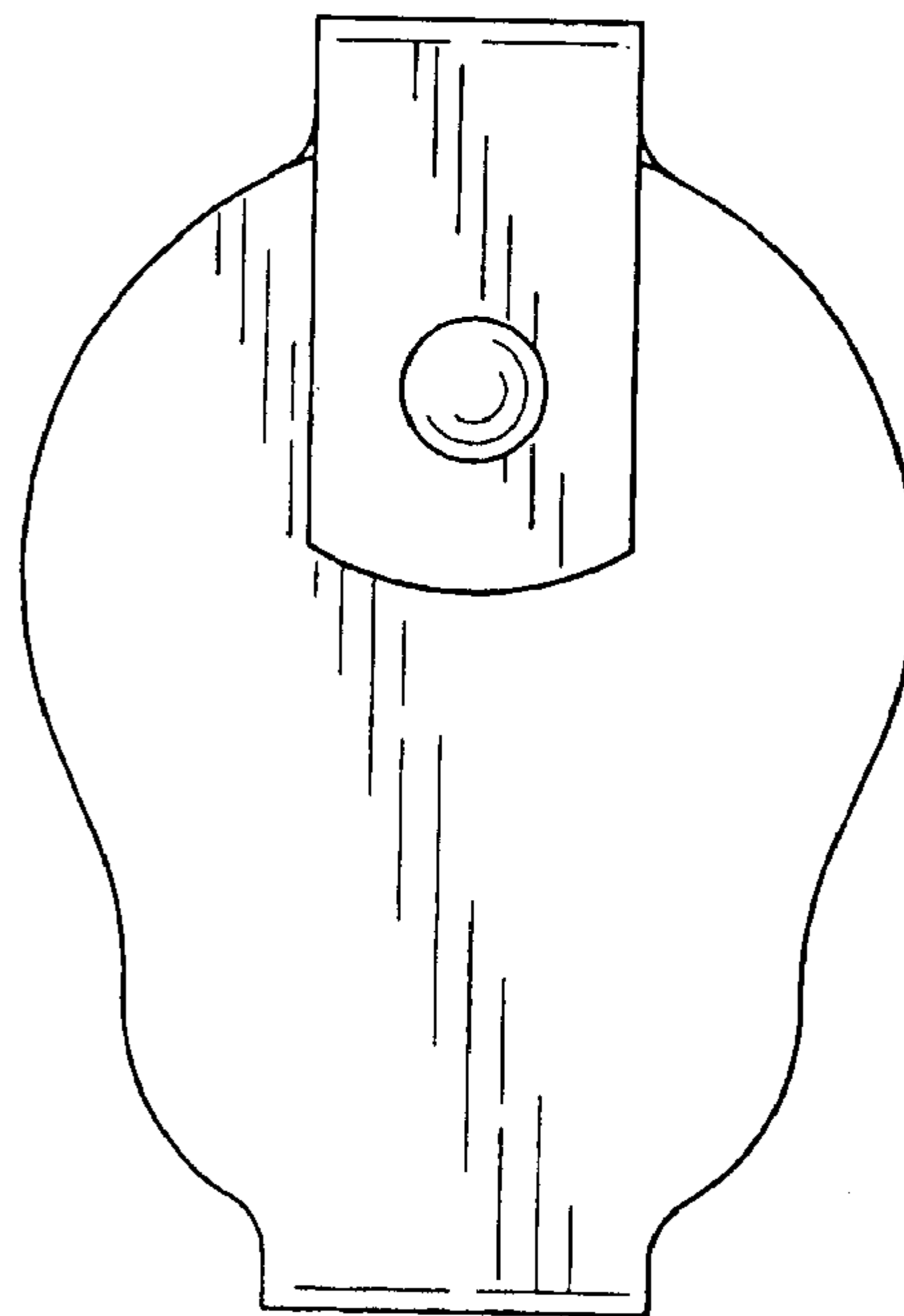


FIG. 8

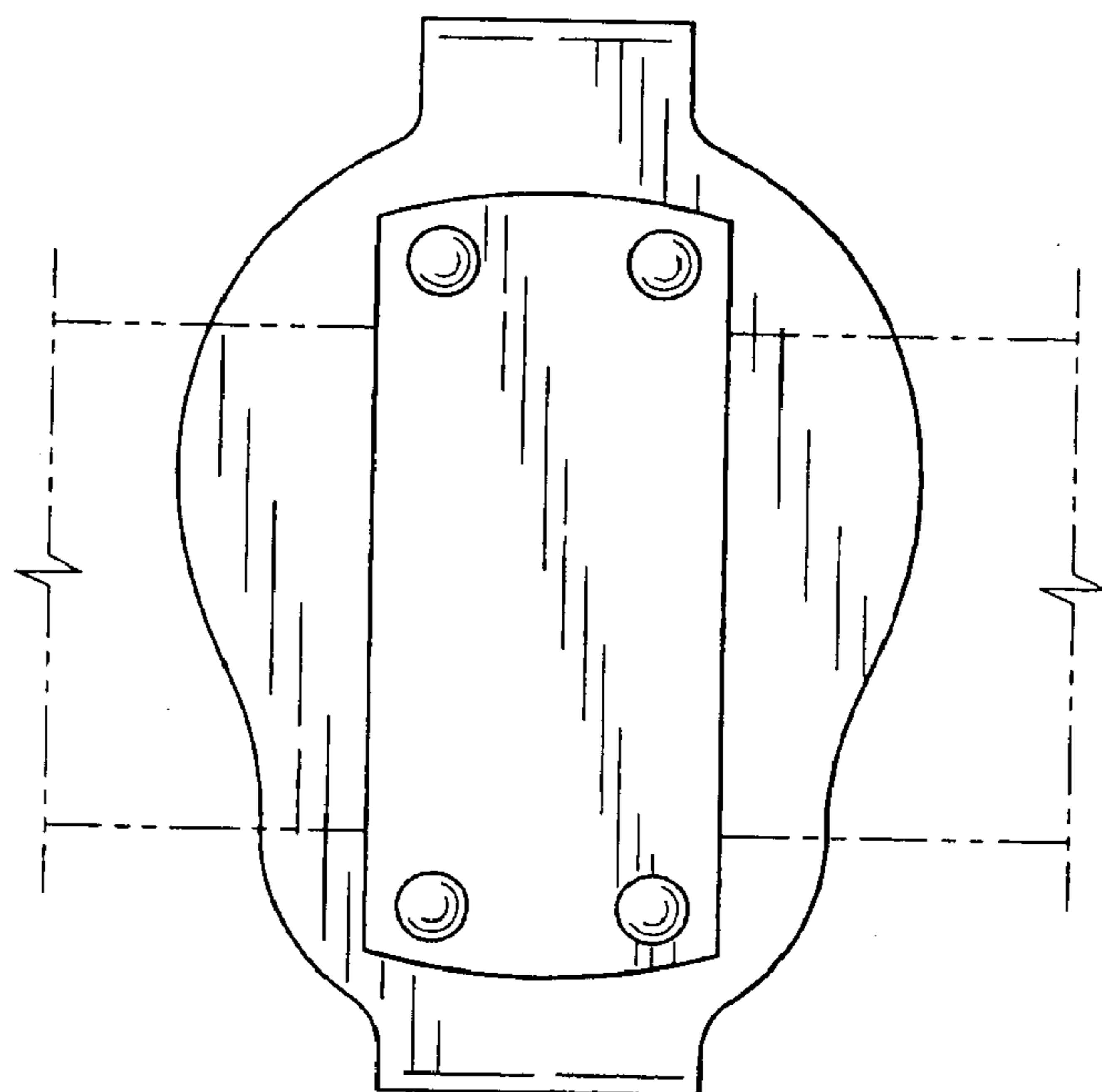


FIG. 9