

US00D543001S

(12) **United States Design Patent** (10) **Patent No.:** **US D543,001 S**  
**Huguet** (45) **Date of Patent:** **\*\* May 15, 2007**

(54) **PORTION OF A DRAWER OF A SERVICE CART**

(75) Inventor: **Marty Huguet**, Greer, SC (US)

(73) Assignee: **Professional Tool Products, LLC**, Greenville, SC (US)

(\*\*) Term: **14 Years**

(21) Appl. No.: **29/247,937**

(22) Filed: **Jul. 20, 2006**

**Related U.S. Application Data**

(60) Division of application No. 29/219,940, filed on Dec. 3, 2004, now Pat. No. Des. 529,254, which is a continuation-in-part of application No. 29/211,199, filed on Aug. 12, 2004, now Pat. No. Des. 528,258.

(51) **LOC (8) Cl.** ..... **12-02**

(52) **U.S. Cl.** ..... **D34/27**

(58) **Field of Classification Search** ..... D34/12, D34/14, 17, 19, 20, 21, 22, 23, 27; D6/396, D6/422, 510; D8/300, 301, 303, 313, 315; 312/198, 199, 200, 249.8, 249.11, 330.1  
See application file for complete search history.

(56) **References Cited**

**U.S. PATENT DOCUMENTS**

D66,318 S	12/1924	Baker	
D104,162 S	4/1937	Hopkins	
D105,241 S	7/1937	Erlanger	
D116,497 S	9/1939	Lingard	
2,329,767 A	9/1943	Jakeway	
2,525,208 A	10/1950	Clink	
2,575,661 A	11/1951	Hickey	
2,697,244 A	12/1954	Lincke	
D182,558 S	* 4/1958	Willman	D8/313
2,981,549 A	4/1961	Hotton	
D194,834 S	* 3/1963	Parker et al.	D8/303
D194,968 S	* 4/1963	Stelma	D8/317
D195,470 S	6/1963	Knoll	

(Continued)

**OTHER PUBLICATIONS**

U.S. Appl. No. 10/746,412, filed Dec. 24, 2003; In re: Huguet, entitled *Service Cart With Protective Bumpers and Recessed Drawer Handles*.

U.S. Appl. No. 29/211,200, filed Aug. 12, 2004; In re: Huguet, entitled *Service Cart*.

*Primary Examiner*—Freda S. Nunn

*Assistant Examiner*—Kevin K. Rudzinski

(74) *Attorney, Agent, or Firm*—Alston & Bird LLP

(57) **CLAIM**

The ornamental design for a portion of a drawer of a service cart, as shown and described.

**DESCRIPTION**

FIG. 1 is a perspective view of a portion of a drawer of a service cart according to an embodiment of the present invention;

FIG. 2 is a cross-section of the right side elevation view of the portion of a drawer of a service cart of line 2—2 of FIG. 3;

FIG. 3 is a front elevation view of a portion of a drawer of FIG. 1;

FIG. 4 is a top plan view of the portion of a drawer of FIG. 1;

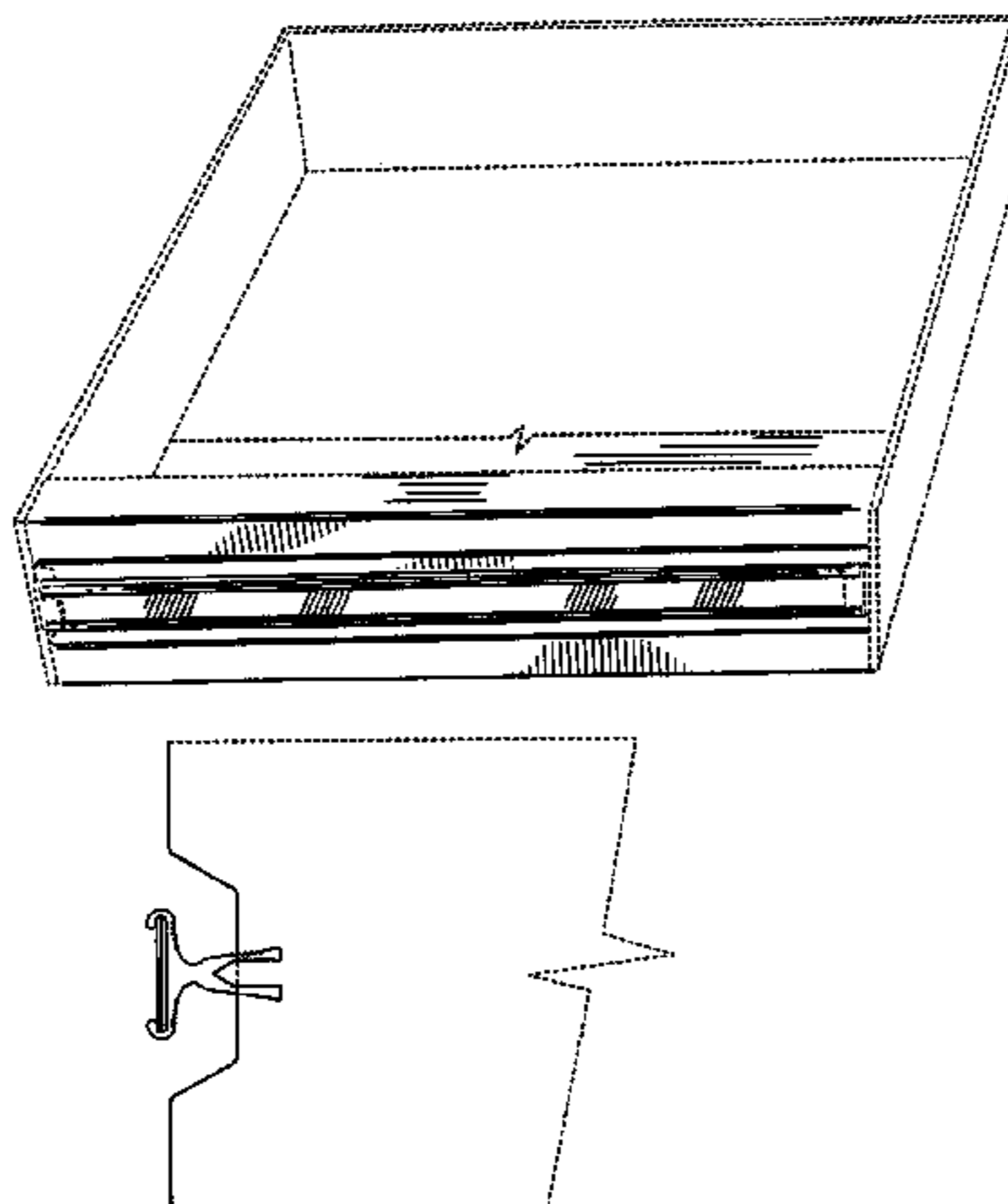
FIG. 5 is a right side elevation view of the portion of a drawer of FIG. 1, the left side elevation view being a mirror image thereof; and,

FIG. 6 is a bottom plan view of the portion of a drawer of FIG. 1; the rear elevation view of the portion of a drawer of FIG. 1 is unornamented and forms no part of the claimed design of the portion of a drawer shown in FIG. 1.

The broken line is included for the purpose of illustrating the path in which the cross section view is shown and forms no part of the claimed design.

The broken line is included for the purpose of illustrating the path in which the cross section view is shown and forms no part of the claimed design.

**1 Claim, 5 Drawing Sheets**



# US D543,001 S

Page 2

## U.S. PATENT DOCUMENTS

D200,962 S	*	4/1965	McCarthy	.....	D6/494	D337,404 S		7/1993	Miles	
D205,346 S	*	7/1966	Bottom	.....	D8/317	5,489,106 A		2/1996	Engelking et al.	
D219,278 S		11/1970	Protzmann			5,497,878 A		3/1996	Sandonato	
D224,492 S		8/1972	Inhelder			5,588,659 A		12/1996	Boes et al.	
D225,302 S	*	12/1972	Tegner	.....	D8/316	D384,279 S	*	9/1997	Hepworth	..... D9/434
D232,166 S		7/1974	Salsgiver			5,673,983 A		10/1997	Carlson et al.	
3,997,218 A		12/1976	Wolf et al.			5,720,535 A		2/1998	Mehman	
4,040,695 A		8/1977	Brann			D402,528 S	*	12/1998	Brucker	..... D8/313
D248,923 S		8/1978	Spellier			5,857,757 A		1/1999	Bieker et al.	
4,120,549 A		10/1978	Bureau			5,913,582 A		6/1999	Coonan	
D253,031 S		10/1979	Gidseg			D417,985 S	*	12/1999	Zaidman	..... D6/510
D257,476 S		11/1980	Sirois			D420,541 S	*	2/2000	Zaidman	..... D6/510
D263,777 S	*	4/1982	Thompson	.....	D6/448	D423,817 S		5/2000	Holcomb et al.	
D269,062 S		5/1983	Kain			D423,818 S		5/2000	Holcomb et al.	
D273,906 S	*	5/1984	Norlin	.....	D34/19	D427,807 S		7/2000	Holcomb et al.	
D278,664 S	*	5/1985	Ferdinand et al.	.....	D6/510	D435,180 S		12/2000	Richard	
D278,769 S		5/1985	Sharpe			6,264,219 B1		7/2001	Smith	
4,576,425 A		3/1986	Pinnow et al.			D451,782 S	*	12/2001	Dewald	..... D8/317
D283,263 S		4/1986	Richey			6,374,649 B1		4/2002	Holcomb et al.	
D283,977 S		5/1986	Kunzler			D457,800 S	*	5/2002	Petri	..... D8/313
4,586,762 A		5/1986	Kennedy et al.			D458,780 S	*	6/2002	Siepmann et al.	..... D6/510
D285,769 S	*	9/1986	Flory et al.	.....	D8/31	D469,329 S		1/2003	Martin	
D286,714 S	*	11/1986	Verholt	.....	D6/446	6,578,938 B2		6/2003	Norman et al.	
4,880,248 A		11/1989	Elmer			D477,479 S		7/2003	Henderson et al.	
D319,569 S	*	9/1991	Clark	.....	D9/434	D477,724 S		7/2003	Bishop	
D321,121 S	*	10/1991	Barbaro et al.	.....	D8/315	D489,976 S	*	5/2004	Whitney	..... D9/434
D325,508 S	*	4/1992	Castricone et al.	.....	D8/300	D504,260 S	*	4/2005	Arceta	..... D6/510
D335,409 S	*	5/1993	Kellems	.....	D6/510	2001/0035702 A1		11/2001	Murphy et al.	
5,221,132 A		6/1993	Combs et al.			2003/0155729 A1		8/2003	Chen	

\* cited by examiner

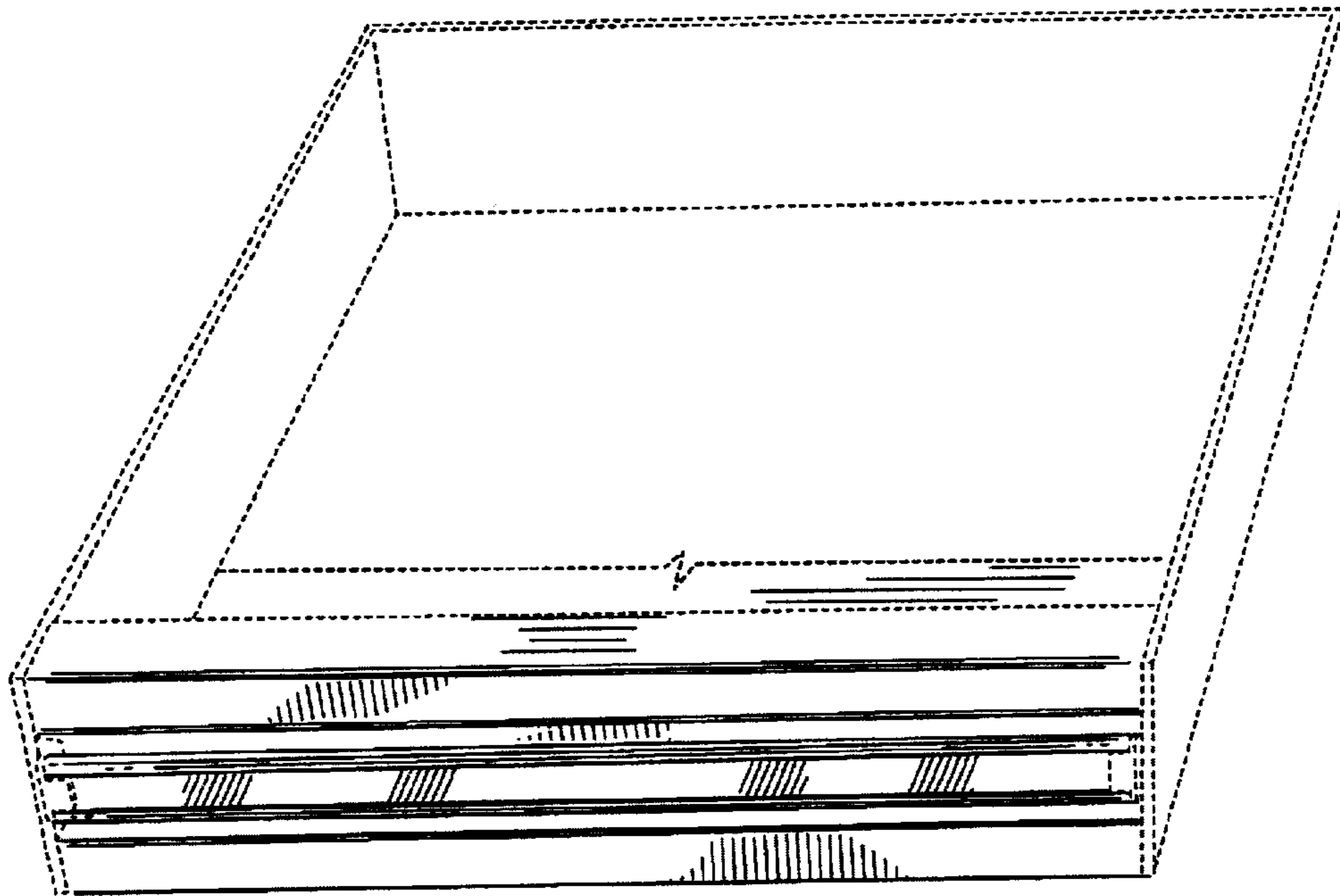


FIG. 1

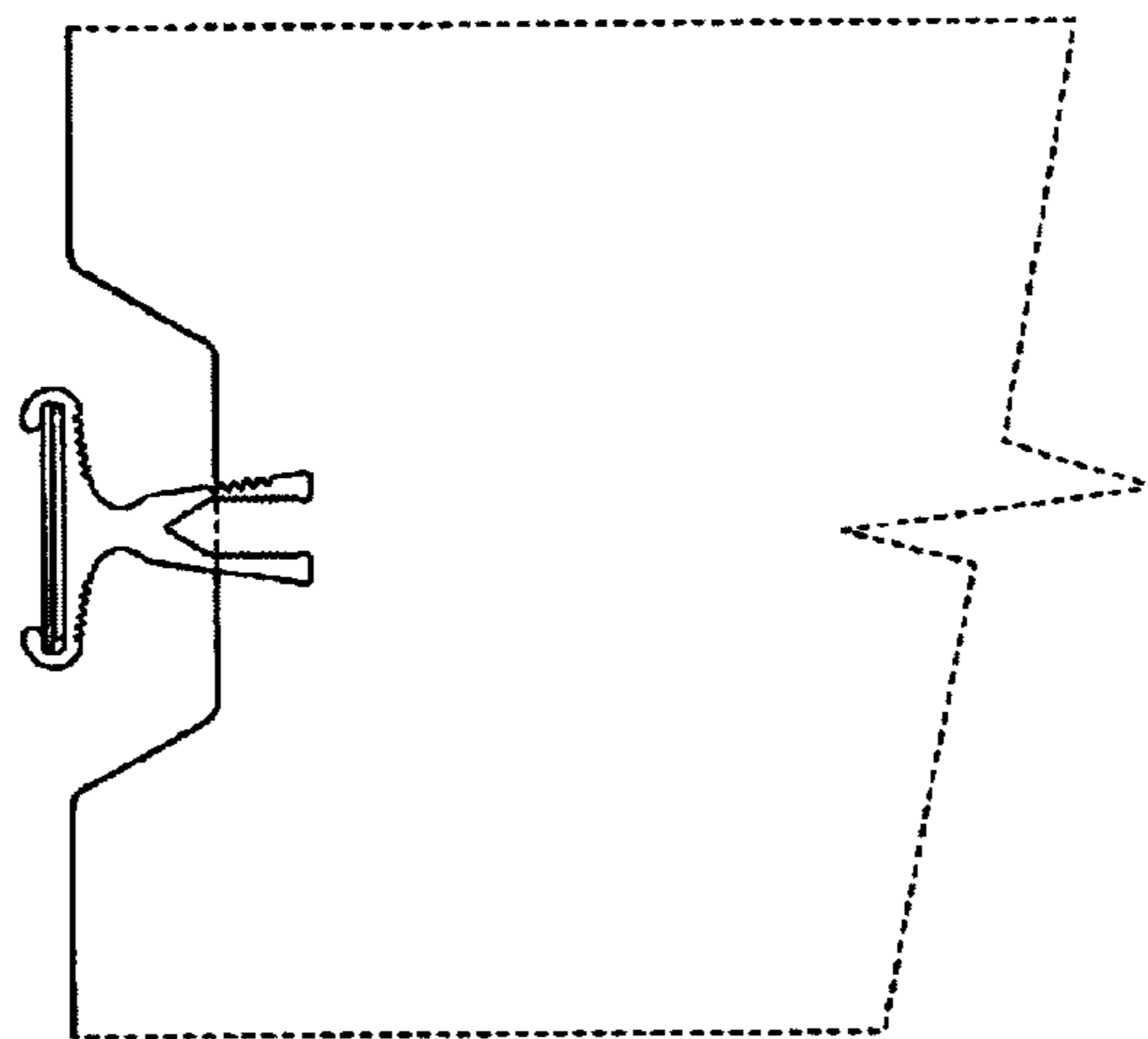
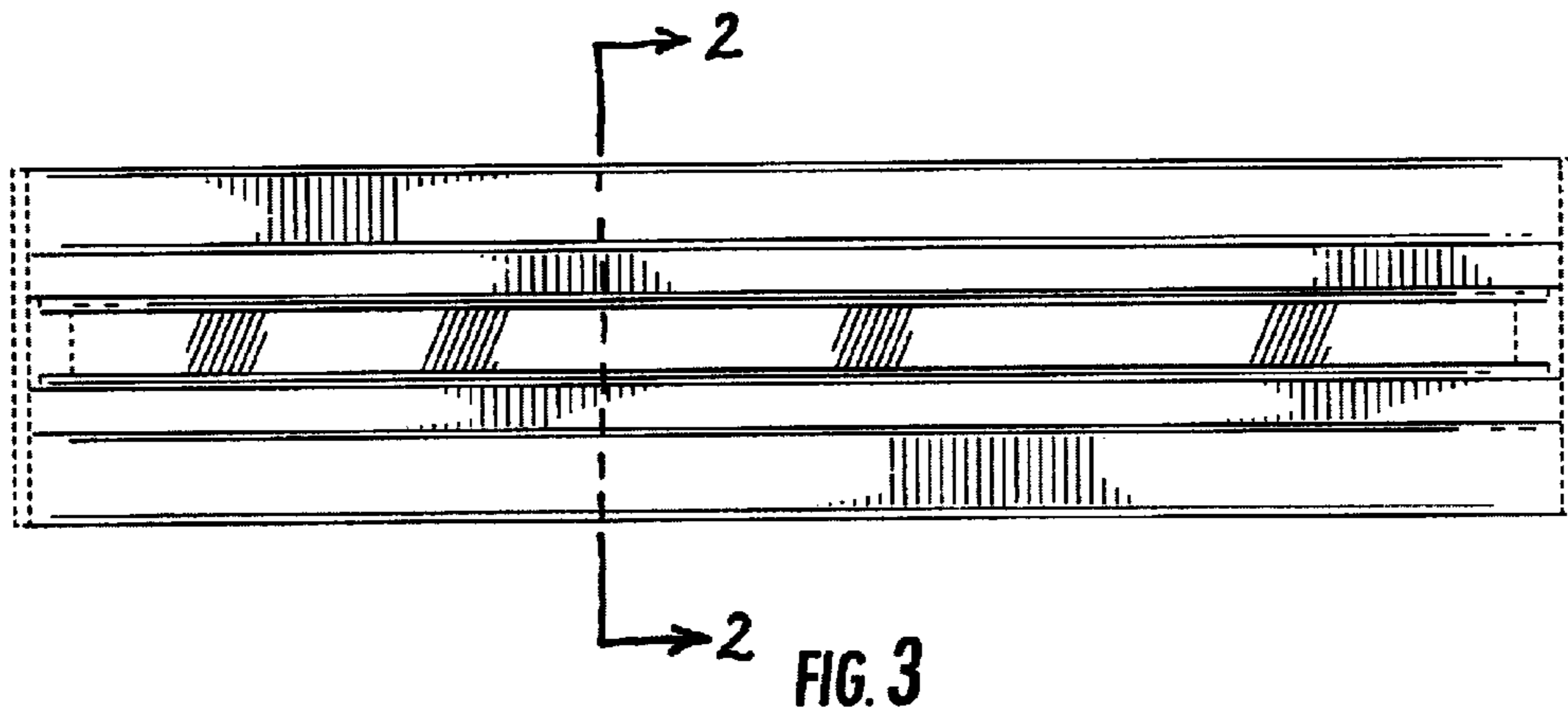
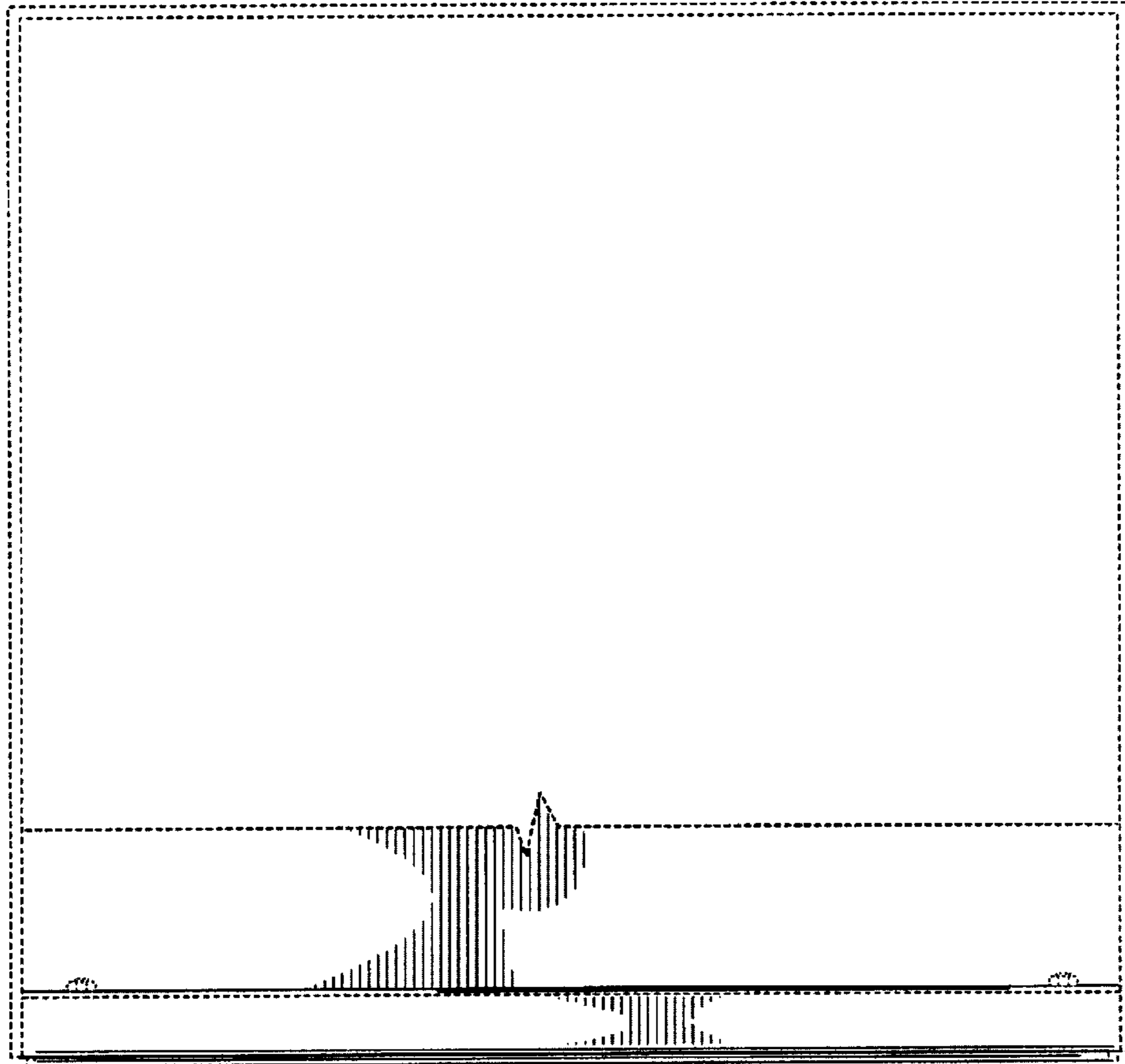
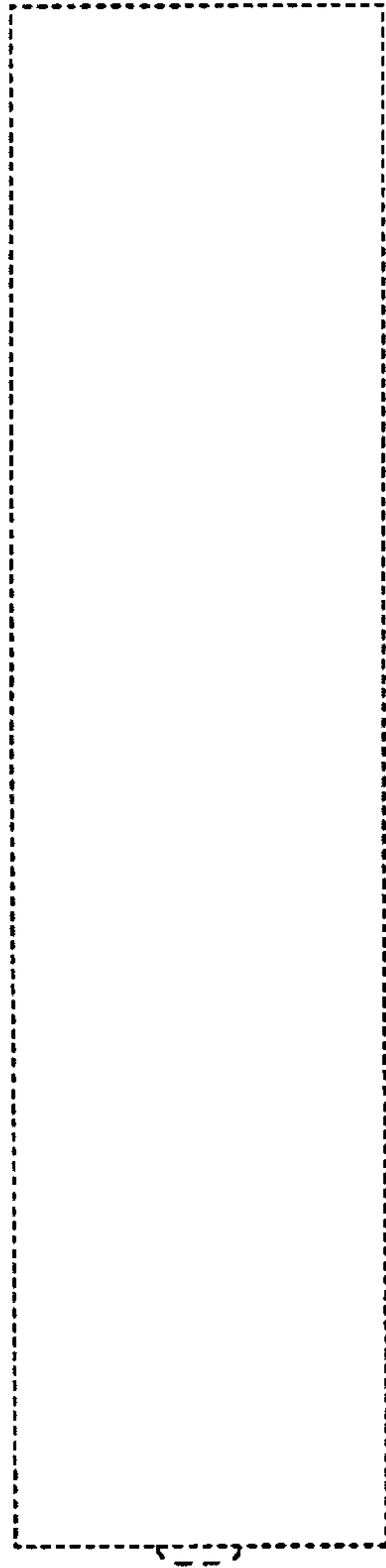


FIG. 2

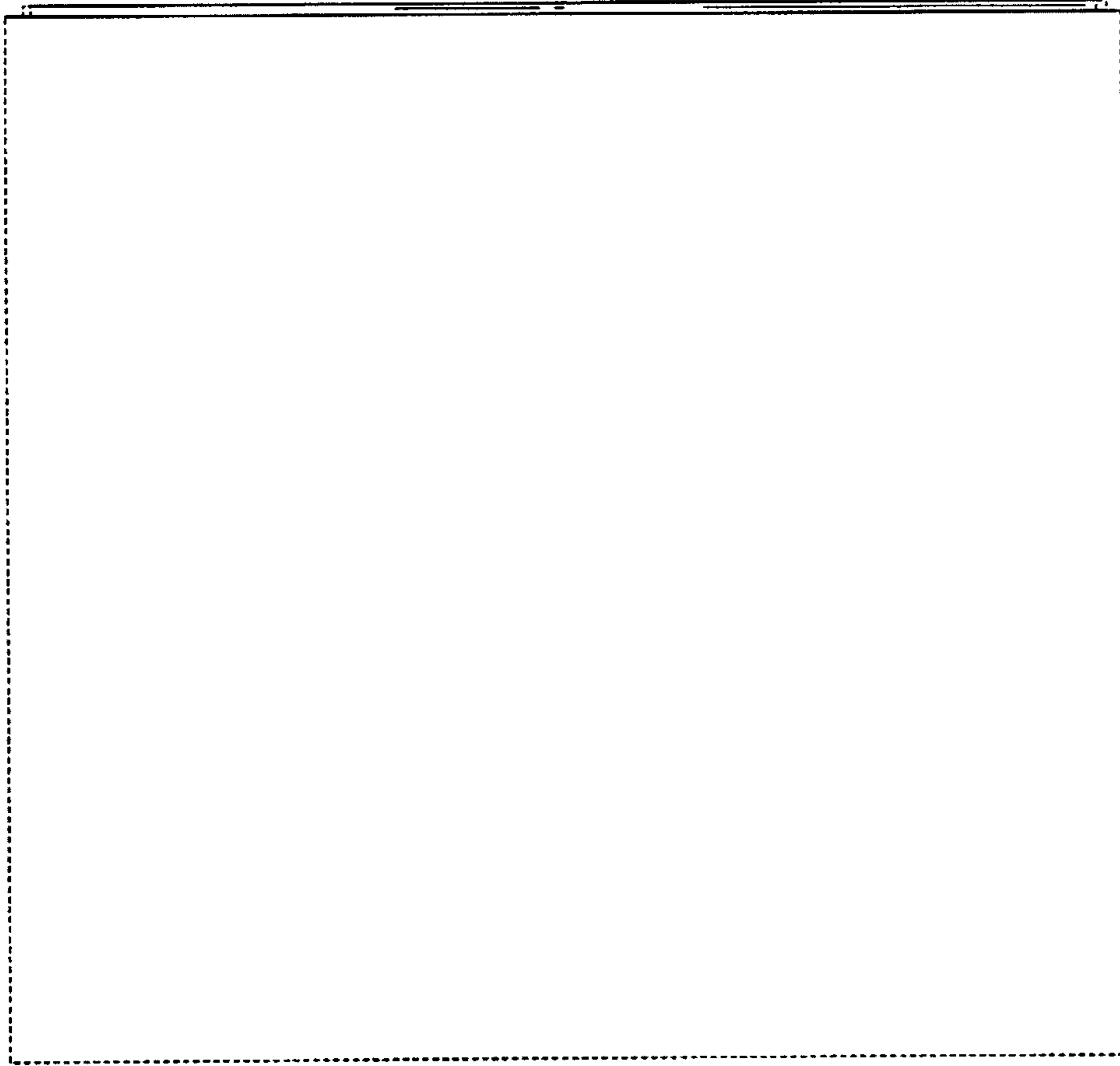




**FIG. 4**



**FIG. 5**



**FIG. 6**