



US00D542997S

(12) **United States Design Patent**
Coderre

(10) **Patent No.:** **US D542,997 S**

(45) **Date of Patent:** **** May 15, 2007**

(54) **CART**

(75) Inventor: **Gabriel Coderre**, St-Germain (CA)

(73) Assignee: **Derco Horticulture Inc.**, St-Germaint, Quebec (CA)

(**) Term: **14 Years**

(21) Appl. No.: **29/210,712**

(22) Filed: **Aug. 5, 2004**

(51) **LOC (8) Cl.** **12-02**

(52) **U.S. Cl.** **D34/17**

(58) **Field of Classification Search** 34/12-27;
280/33.994, 33.996, 33.99, 47.35, 33.991,
280/33.992, 47.24, 47.18, 47.27, 79.3; 211/149;
16/48

See application file for complete search history.

(56) **References Cited**

U.S. PATENT DOCUMENTS

D273,242	S	*	3/1984	Maza et al.	D34/21
D280,858	S	*	10/1985	Muellner et al.	D34/18
4,826,186	A	*	5/1989	Hagelin	280/33.994
4,850,604	A	*	7/1989	Le Marchand et al.	.	280/33.996
5,072,955	A	*	12/1991	Holland et al.	280/32.5
D331,135	S	*	11/1992	Lewandowski et al.	D34/18
D365,904	S	*	1/1996	Adamson et al.	D34/17
5,507,507	A	*	4/1996	Davidson	280/33.991
D386,873	S	*	11/1997	D'Estaintot et al.	D34/21
D424,267	S	*	5/2000	Lin	D34/24
D449,913	S	*	10/2001	Walter	D34/21

* cited by examiner

Primary Examiner—Freda S. Nunn
Assistant Examiner—Kevin K. Rudzinski
(74) *Attorney, Agent, or Firm*—ROBIC

(57) **CLAIM**

The ornamental design for a cart, as shown and described.

DESCRIPTION

FIG. 1 is a front perspective view of a cart, showing my new design, with its upper tray in horizontal position; FIG. 2 is a side elevational view of the cart thereof; FIG. 3 is a top plan view of the cart thereof; FIG. 4 is a front elevational view of the cart thereof; FIG. 5 is a rear elevational view of the cart thereof; FIG. 6 is a perspective view of the cart thereof, with the horizontal tray in upward position; FIGS. 7 to 10 are views similar to FIGS. 2 to 5 thereof, showing the cart in the same positions with the upper tray in upward position, respectively; FIG. 11 is a front perspective view of the second embodiment thereof, the variant essentially residing in the length of the upper tray which is shown in horizontal position; FIG. 12 is a side elevational view of the cart thereof; FIG. 13 is a top plan view of the cart thereof; FIG. 14 is a front elevational view of the cart thereof; FIG. 15 is a rear elevational view of the cart thereof; FIG. 16 is a perspective view of the cart thereof, with the horizontal tray in upward position; and, FIGS. 17 to 20 are views similar to FIGS. 12 to 15, showing the cart in the same positions with the upper tray in upward position, respectively.

1 Claim, 12 Drawing Sheets





FIG. 1

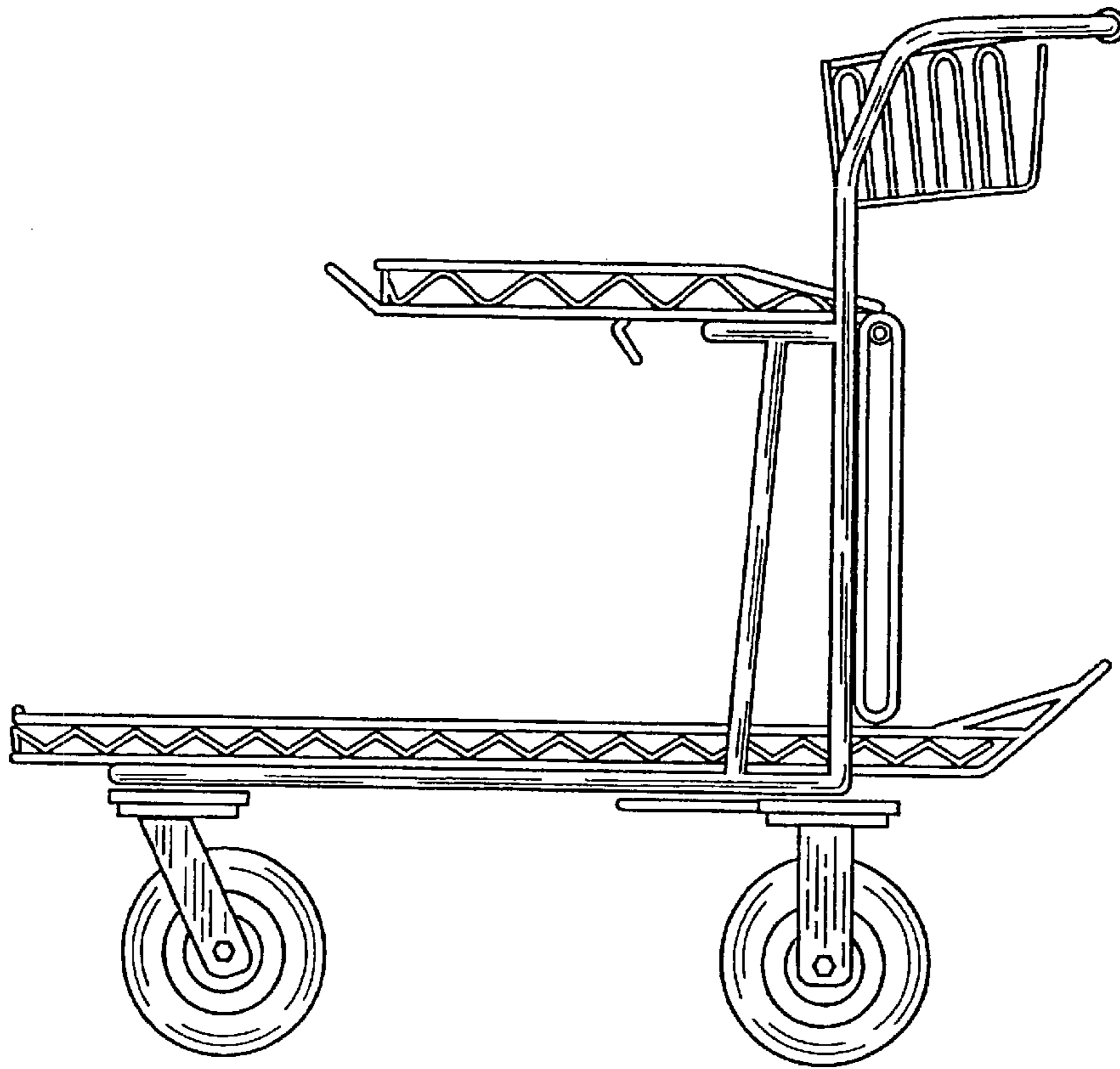


FIG. 2

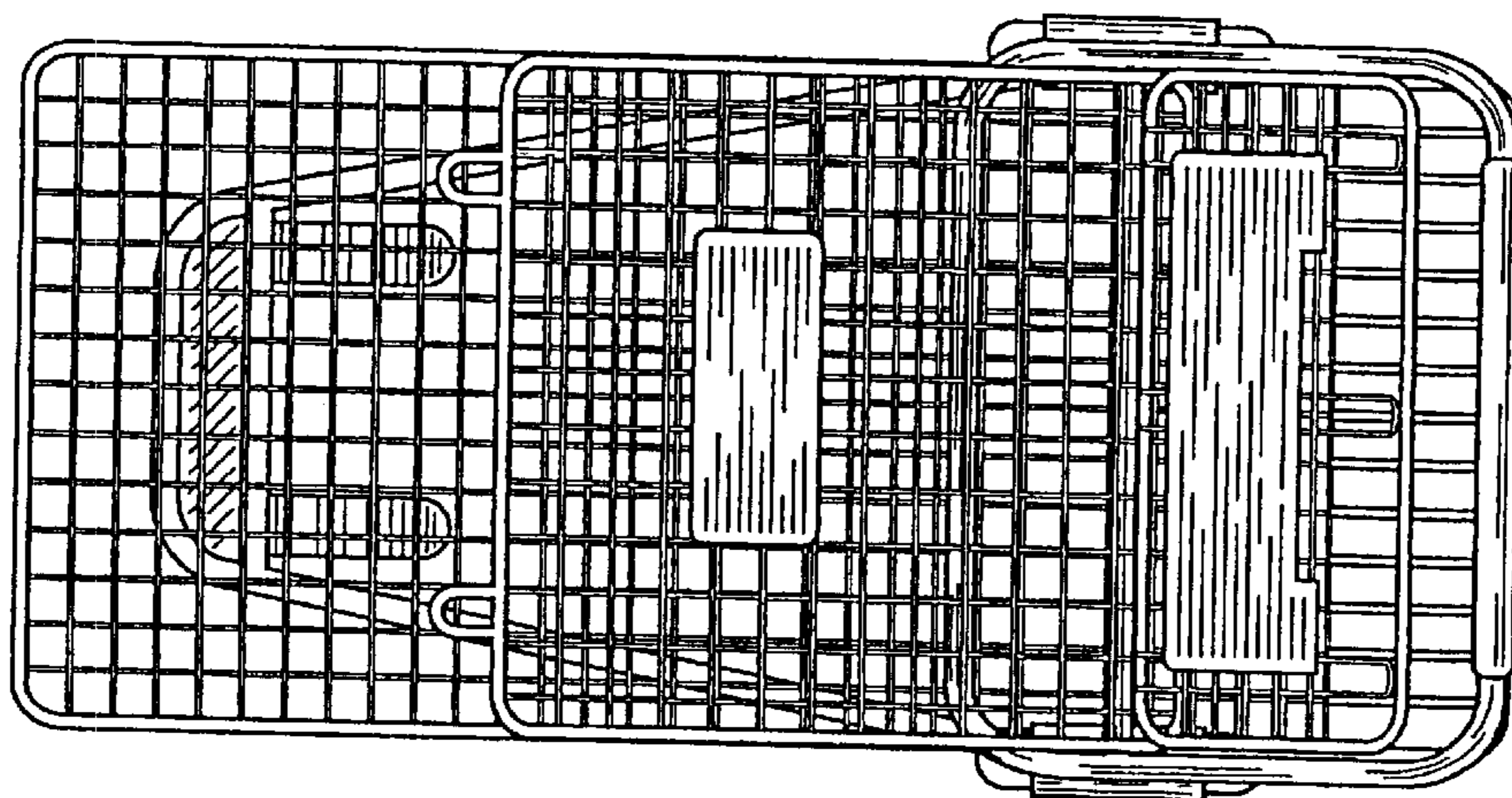


FIG. 3

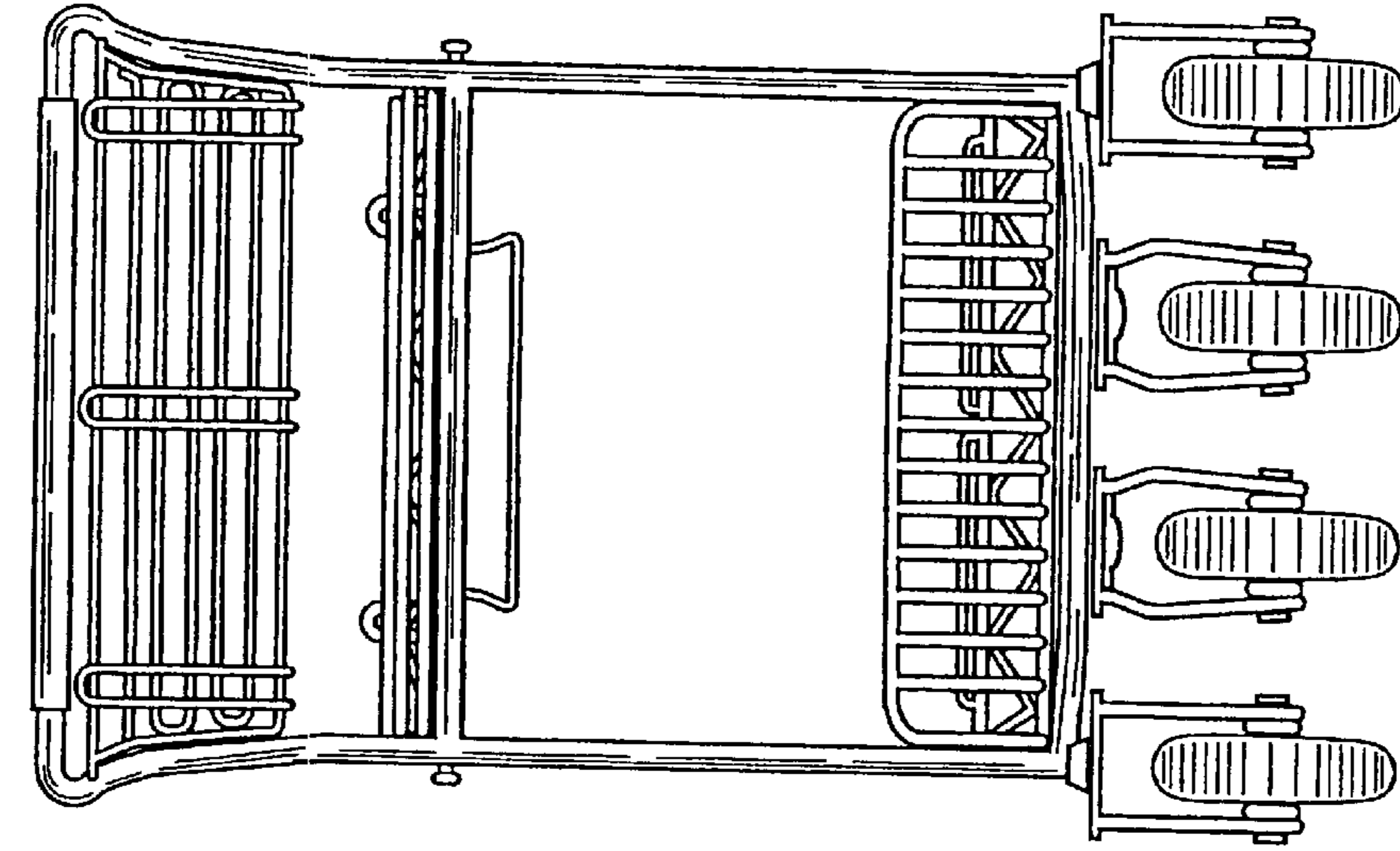


FIG. 4

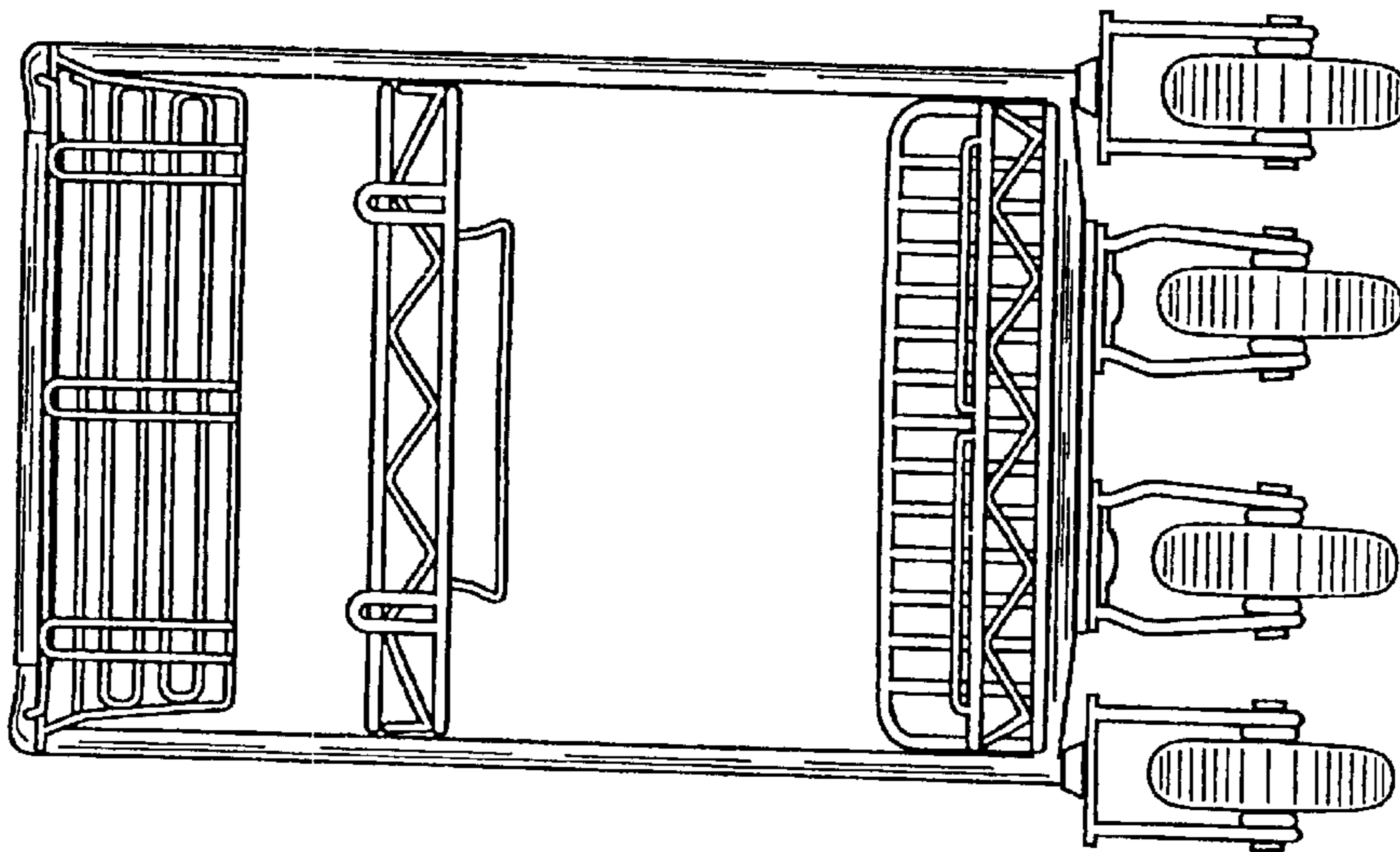


FIG. 5



FIG. 6

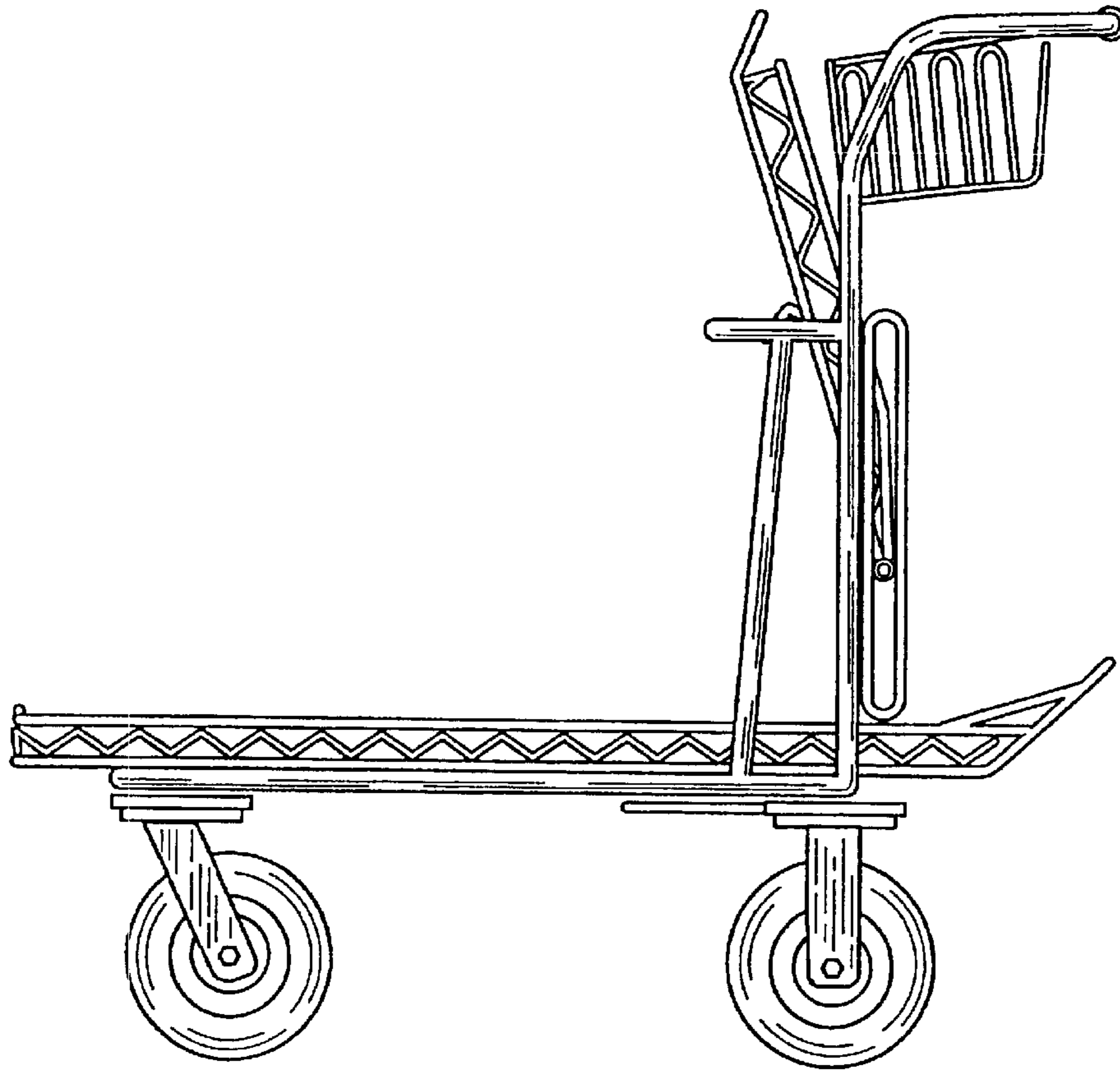


FIG. 7

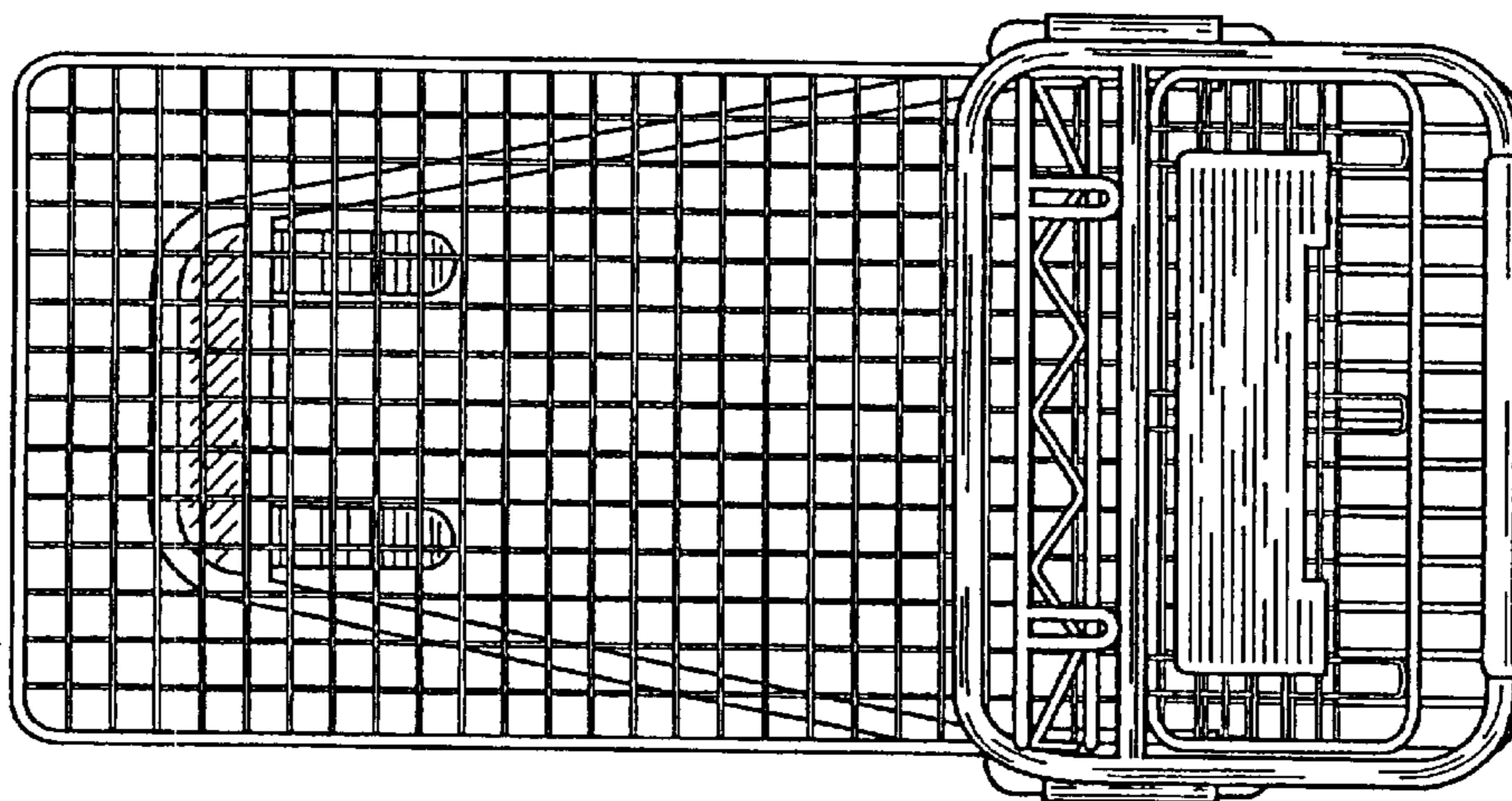


FIG. 8

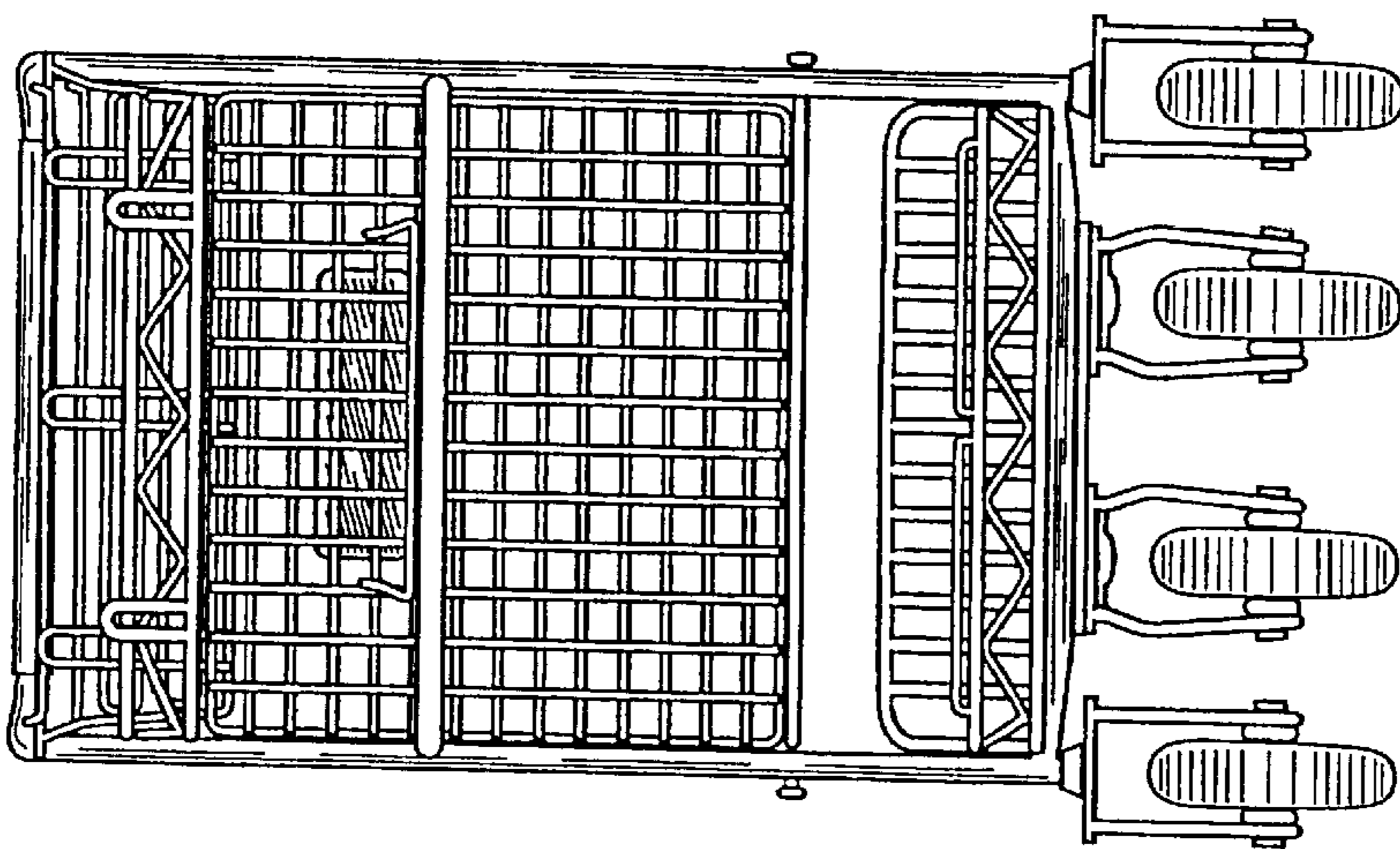


FIG. 9

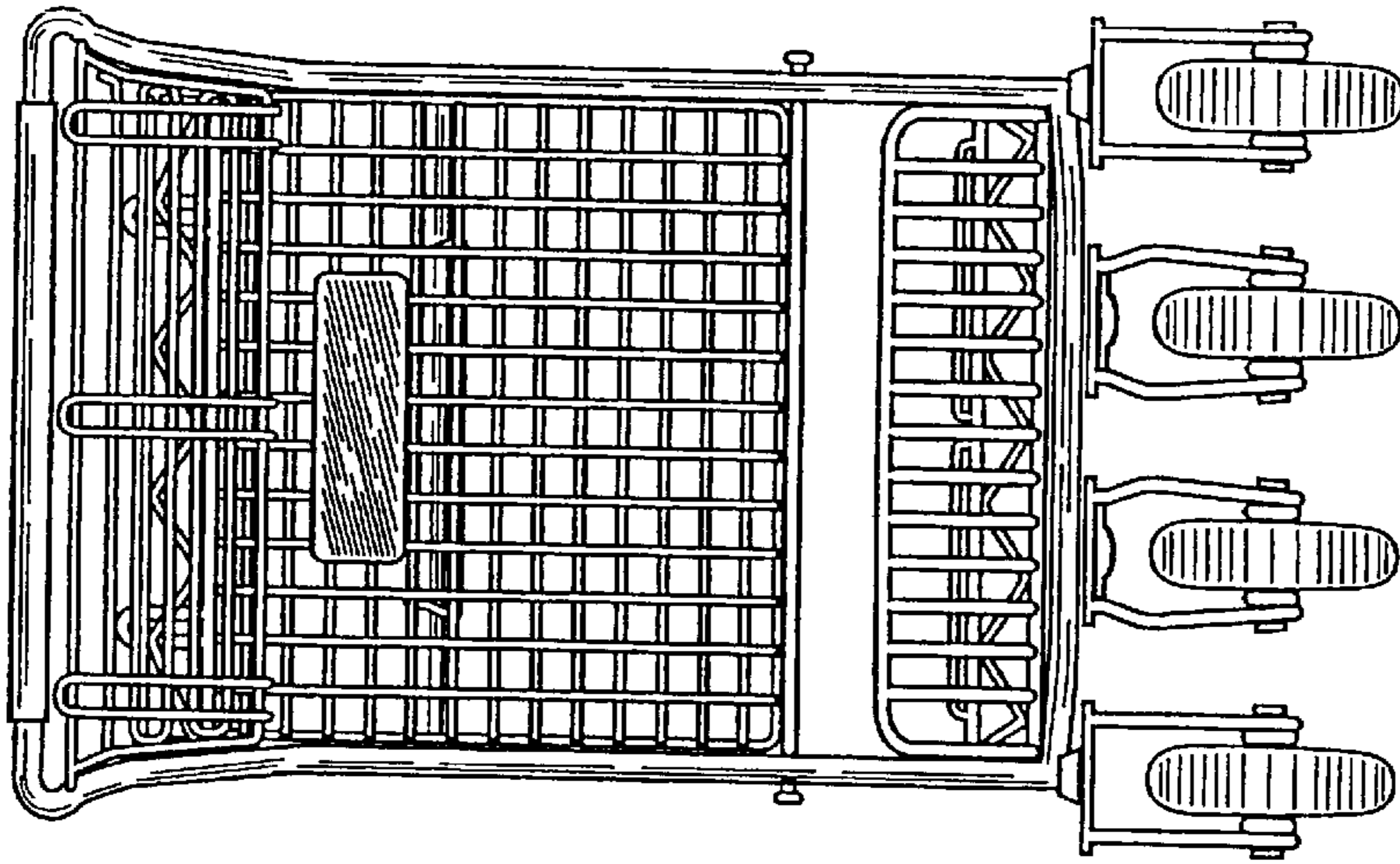


FIG. 10



FIG. 11

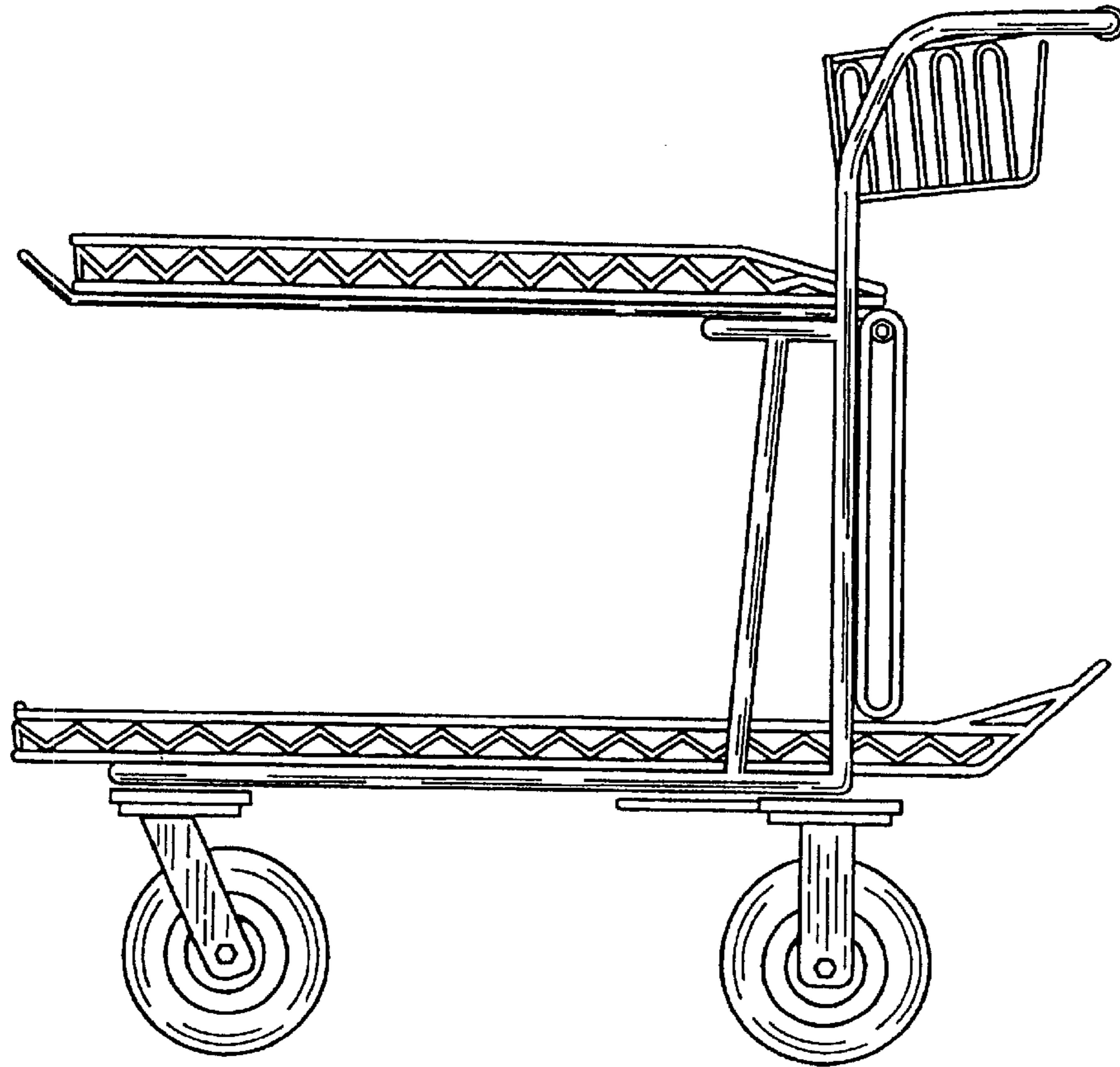


FIG. 12

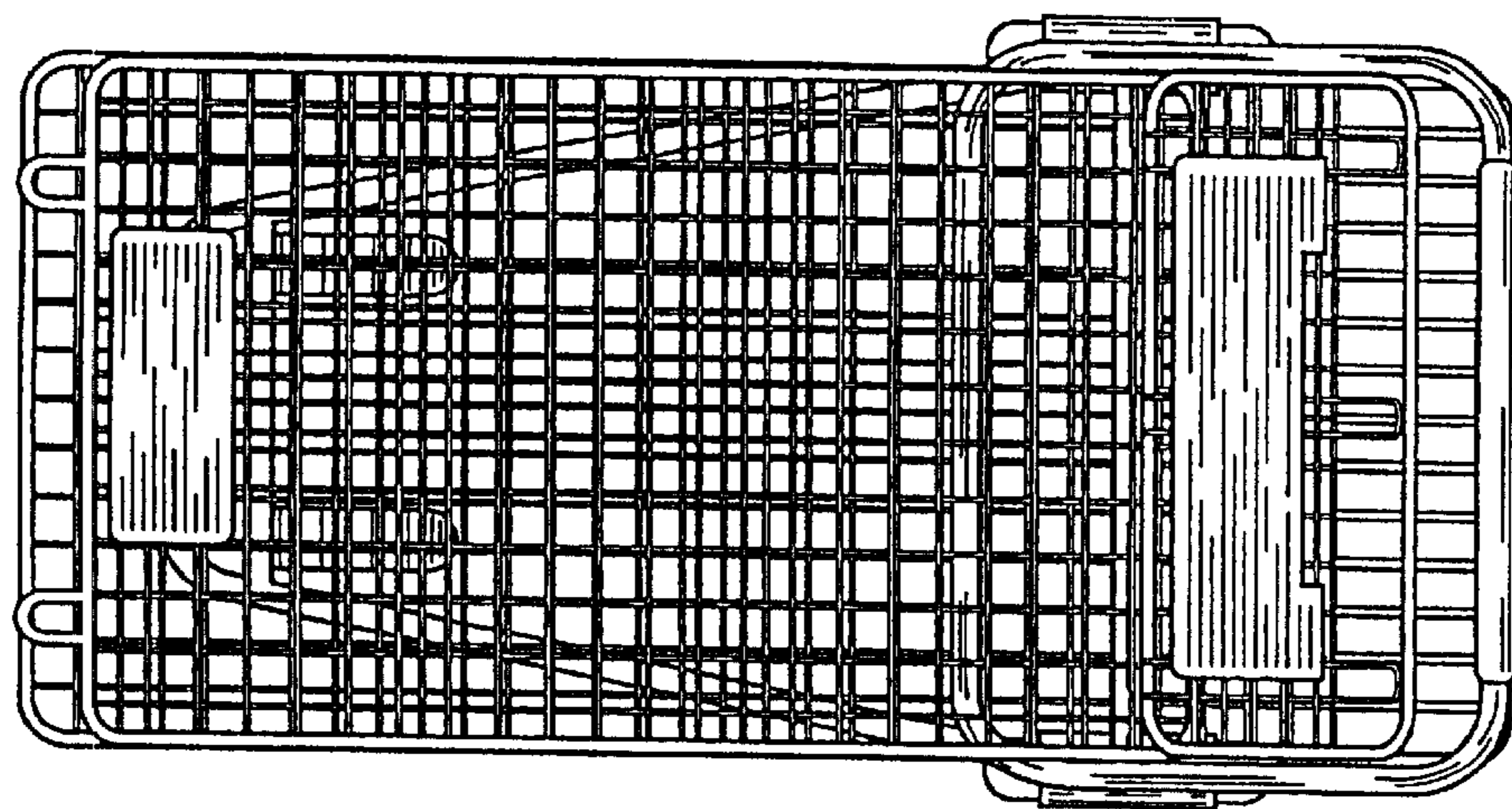


FIG. 13

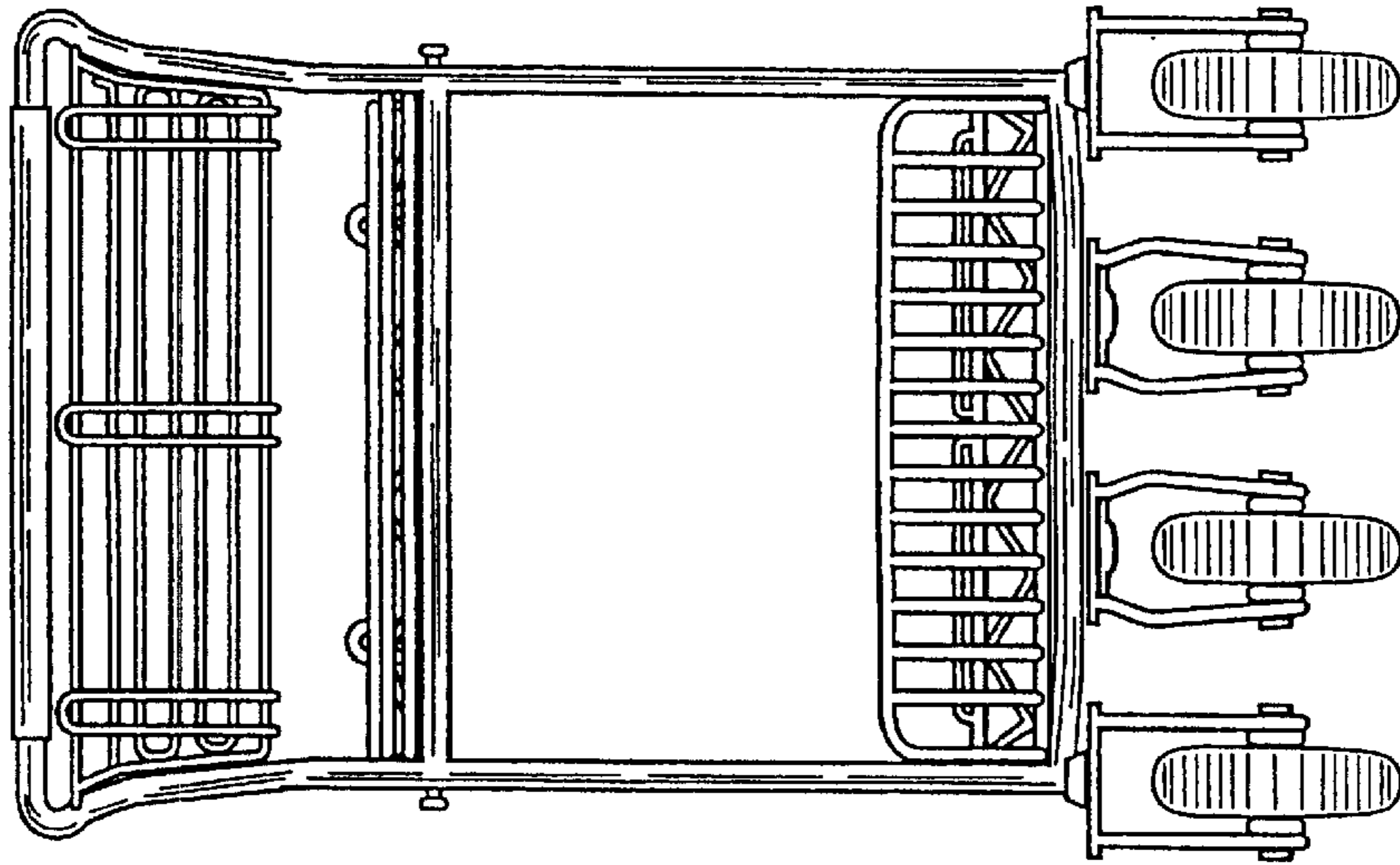


FIG. 14

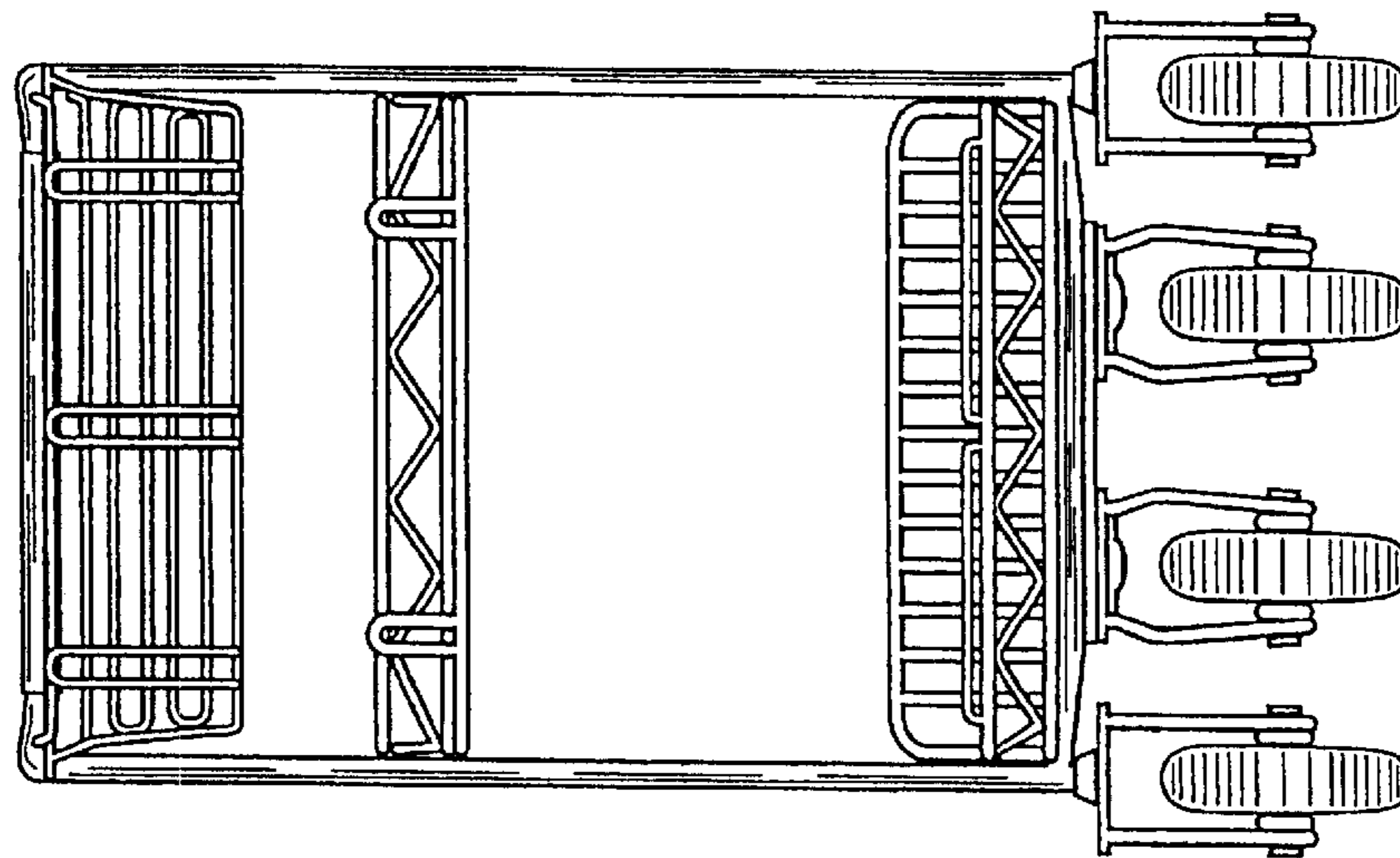


FIG. 15



FIG. 16

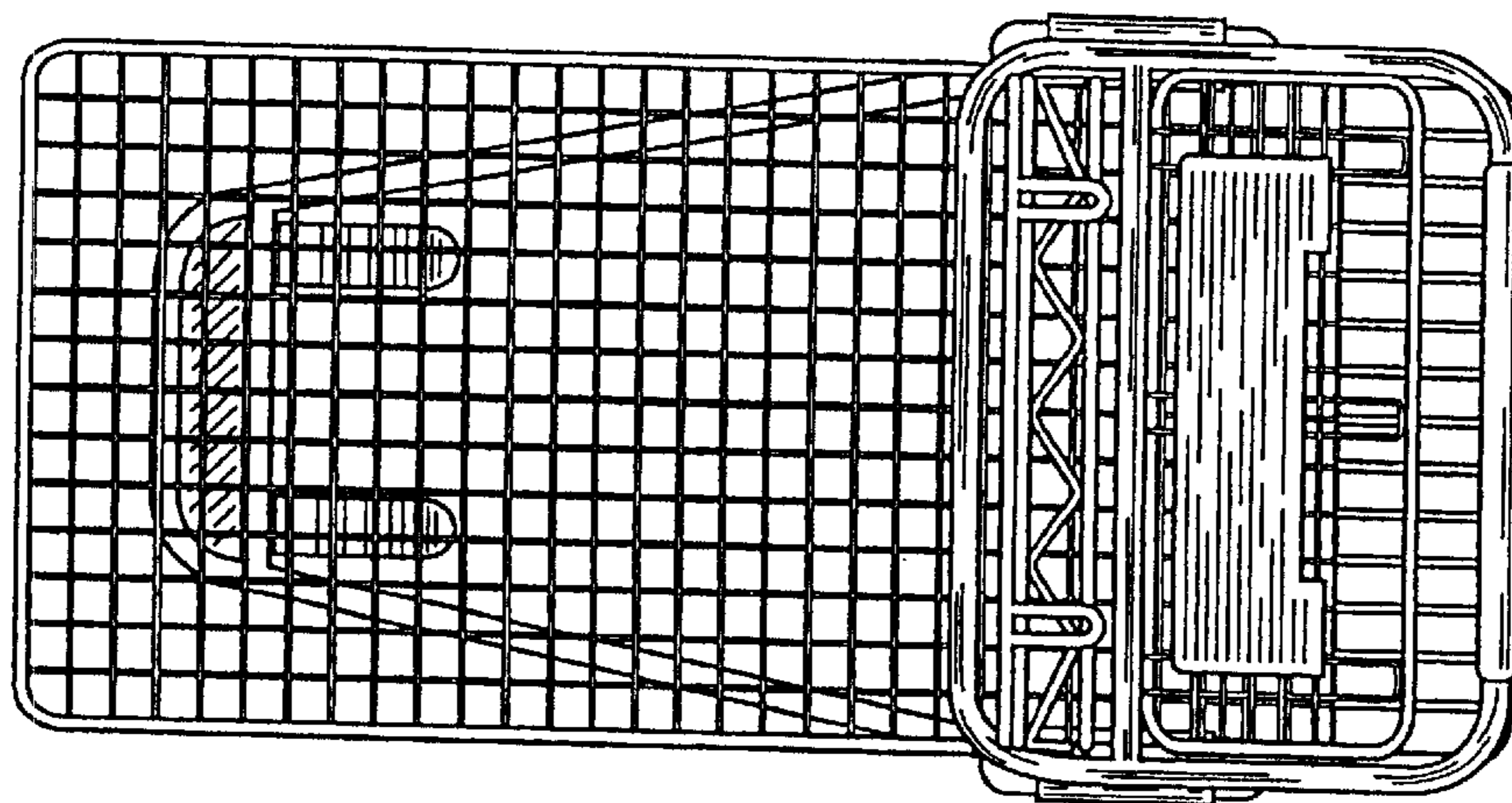
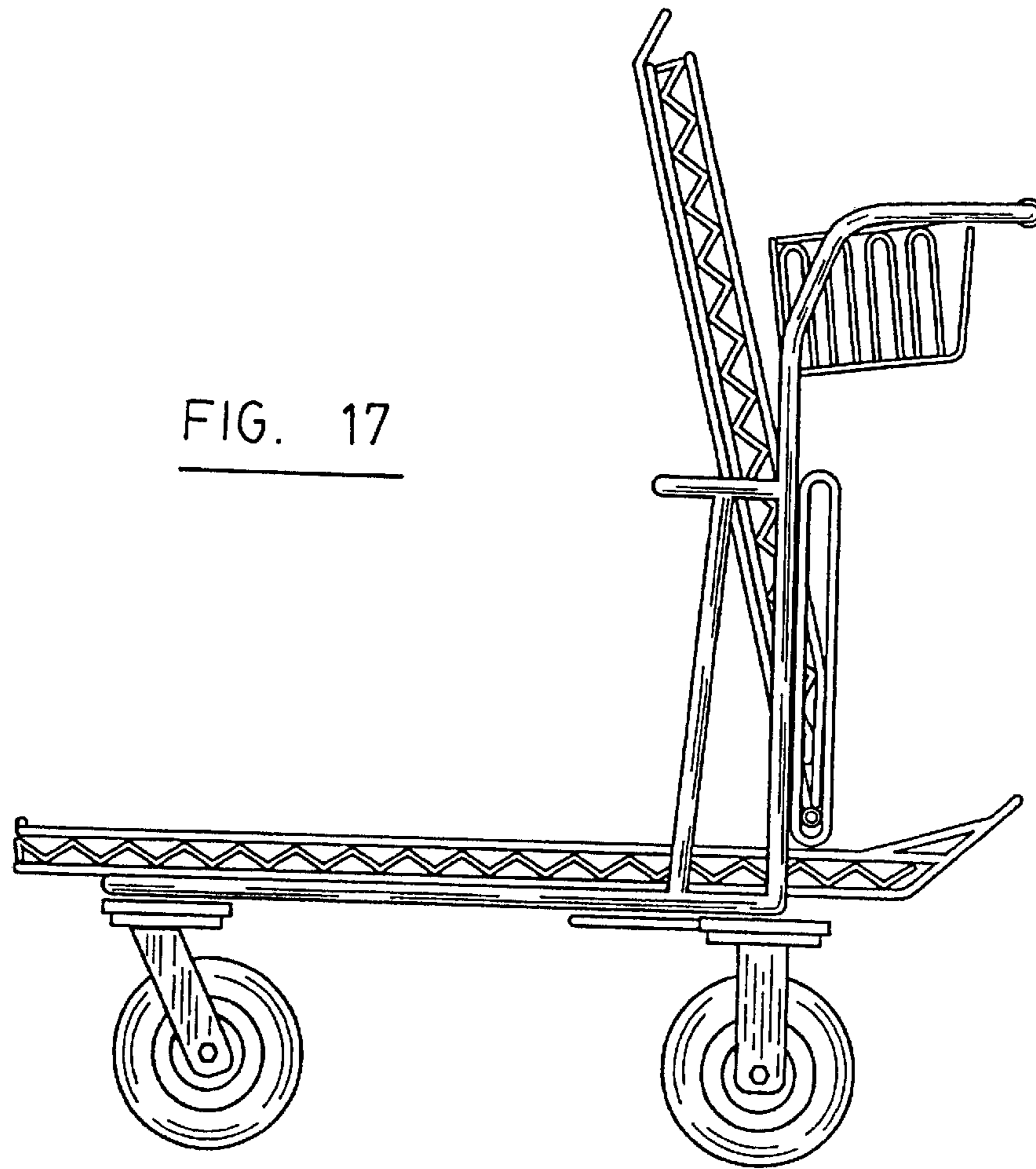


FIG. 18

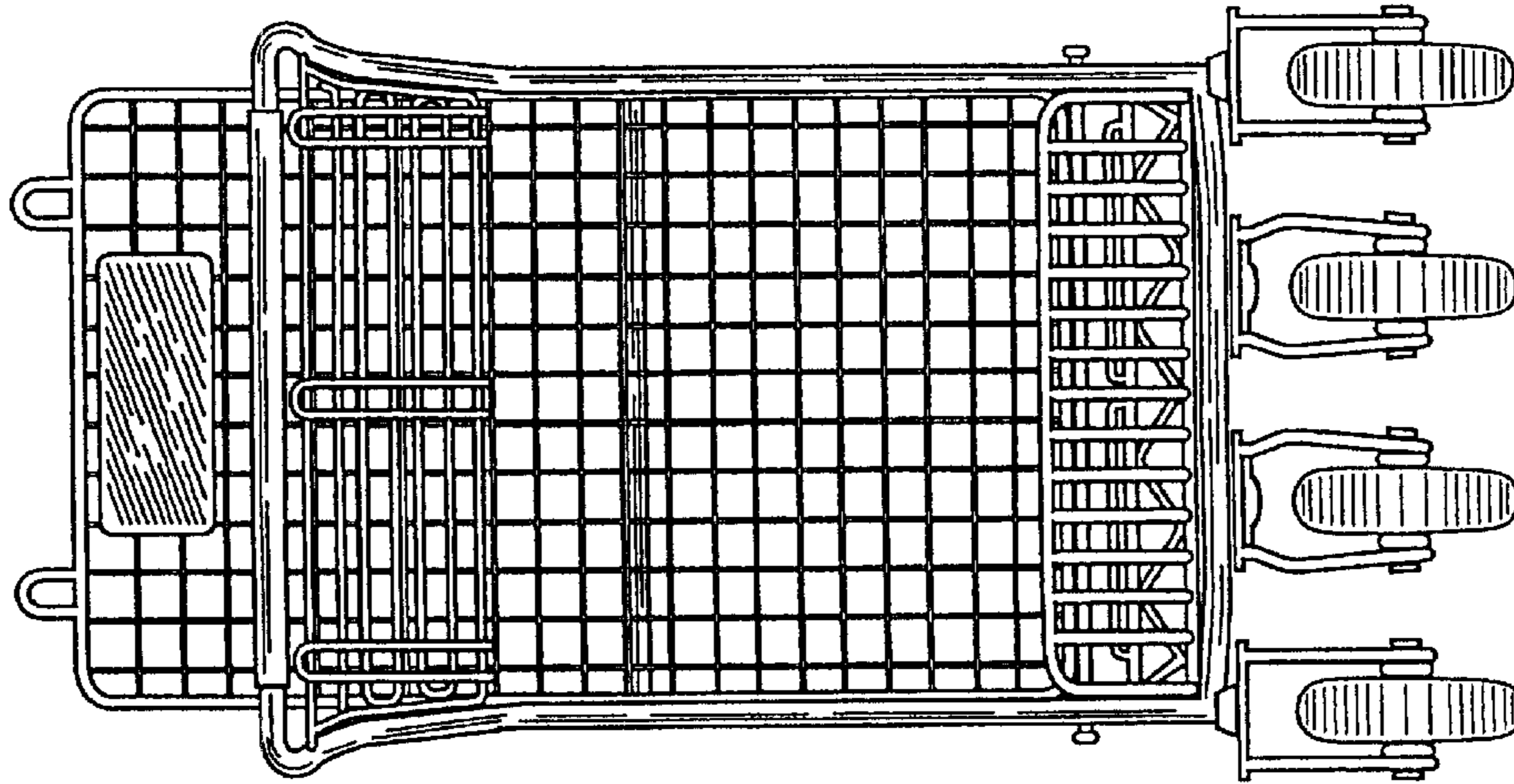


FIG. 20

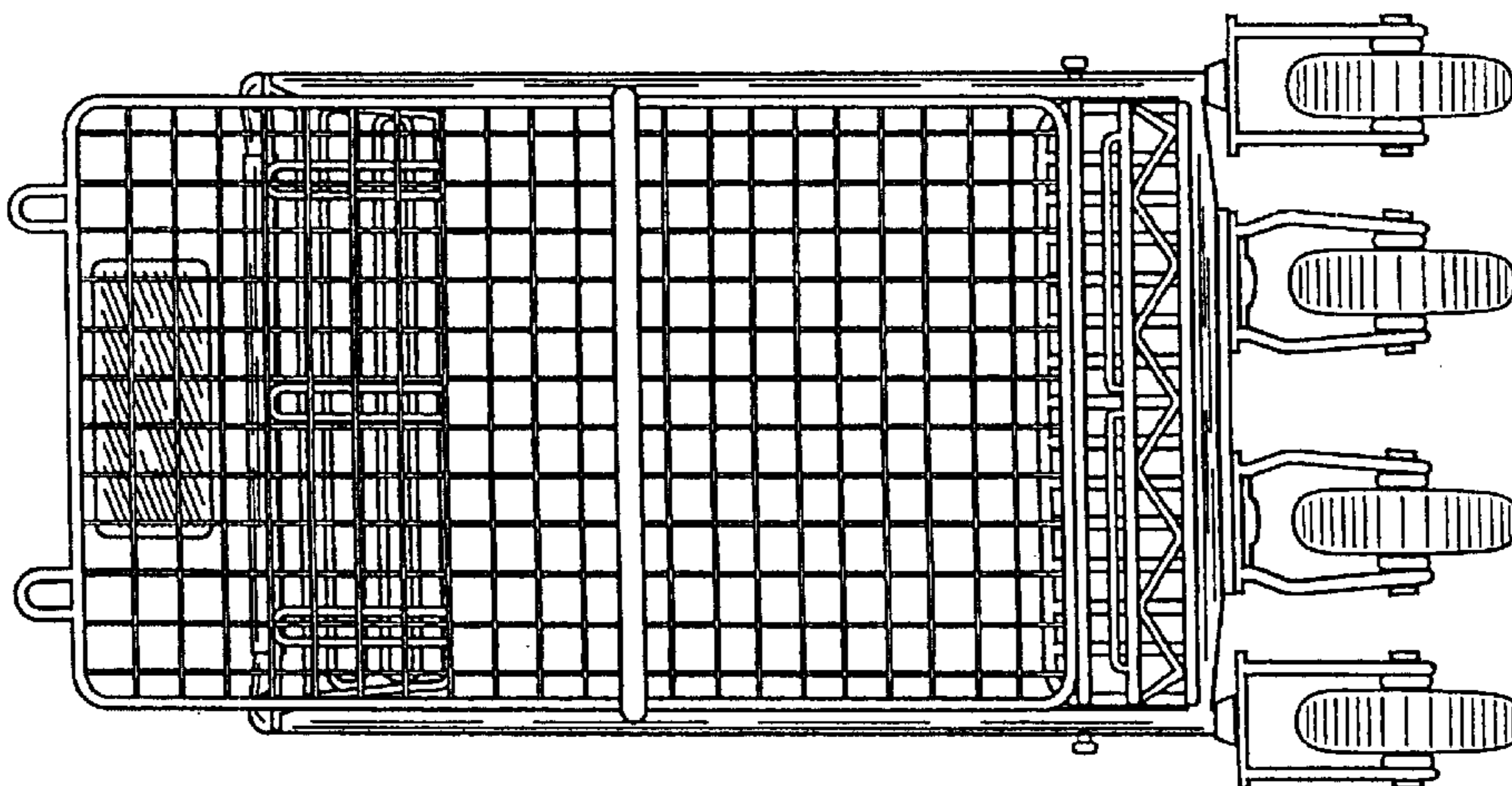


FIG. 19