

US00D542994S

(12) **United States Design Patent**  
**Lin**

(10) **Patent No.:** **US D542,994 S**

(45) **Date of Patent:** **\*\* \*May 15, 2007**

(54) **GARBAGE CAN**

(76) Inventor: **Tsong-Yow Lin**, No. 57-1, Yung Ho Street, Yung Ho Village, Ta Tu Hsiang, Taichung Hsien (TW)

(\* ) Notice: This patent is subject to a terminal disclaimer.

(\*\* ) Term: **14 Years**

(21) Appl. No.: **29/231,875**

(22) Filed: **Jun. 10, 2005**

(51) **LOC (8) Cl.** ..... **09-09**

(52) **U.S. Cl.** ..... **D34/9**

(58) **Field of Classification Search** ..... D34/1,  
D34/5, 6, 7, 8, 9, 10, 11; 220/908, 262-264  
See application file for complete search history.

|                   |         |                |       |         |
|-------------------|---------|----------------|-------|---------|
| D509,036 S *      | 8/2005  | Lin            | ..... | D34/9   |
| 7,004,349 B2 *    | 2/2006  | Heiberg et al. | ..... | 220/827 |
| D517,762 S *      | 3/2006  | Lin            | ..... | D34/9   |
| D517,765 S *      | 3/2006  | Lin            | ..... | D34/9   |
| D521,706 S *      | 5/2006  | Lin            | ..... | D34/9   |
| 2003/0230576 A1 * | 12/2003 | Lin            | ..... | 220/263 |
| 2004/0016756 A1 * | 1/2004  | Lin            | ..... | 220/263 |
| 2005/0230396 A1 * | 10/2005 | Yang et al.    | ..... | 220/264 |
| 2005/0230397 A1 * | 10/2005 | Yang et al.    | ..... | 220/264 |
| 2006/0144839 A1 * | 7/2006  | Yang et al.    | ..... | 220/263 |
| 2006/0186121 A1 * | 8/2006  | Yang et al.    | ..... | 220/263 |

\* cited by examiner

*Primary Examiner*—Cynthia E. Ramirez

(74) *Attorney, Agent, or Firm*—Alan D. Kamrath; Nkolai & Mersereau, P.A.

(57) **CLAIM**

The ornamental design for garbage can, as shown and described.

**DESCRIPTION**

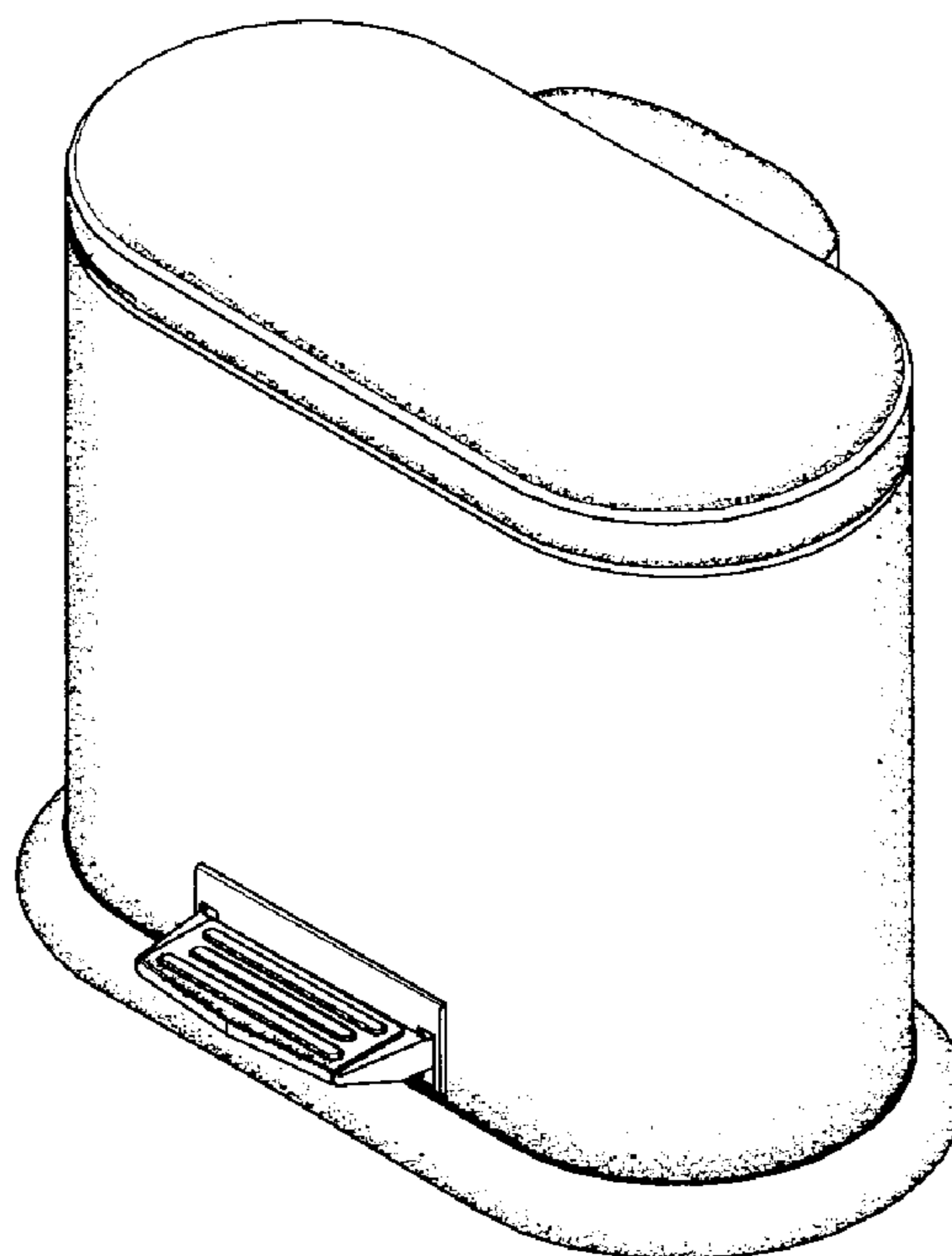
FIG. 1 is a perspective view of a garbage can showing my new design;  
FIG. 2 is a front view thereof;  
FIG. 3 is a rear view thereof;  
FIG. 4 is a right view thereof; the opposite side being a mirror image of the shown; and,  
FIG. 5 is a top view thereof.

**1 Claim, 2 Drawing Sheets**

(56) **References Cited**

U.S. PATENT DOCUMENTS

|               |         |        |       |          |
|---------------|---------|--------|-------|----------|
| 2,242,698 A * | 5/1941  | Evitt  | ..... | 220/263  |
| 3,008,604 A * | 11/1961 | Garner | ..... | 220/87.1 |
| D482,169 S *  | 11/2003 | Lin    | ..... | D34/9    |
| D483,167 S *  | 12/2003 | Lin    | ..... | D34/7    |
| D490,954 S *  | 6/2004  | Brand  | ..... | D34/9    |
| D493,931 S *  | 8/2004  | Lin    | ..... | D34/9    |
| D494,723 S *  | 8/2004  | Lin    | ..... | D34/9    |
| D494,724 S *  | 8/2004  | Lin    | ..... | D34/9    |



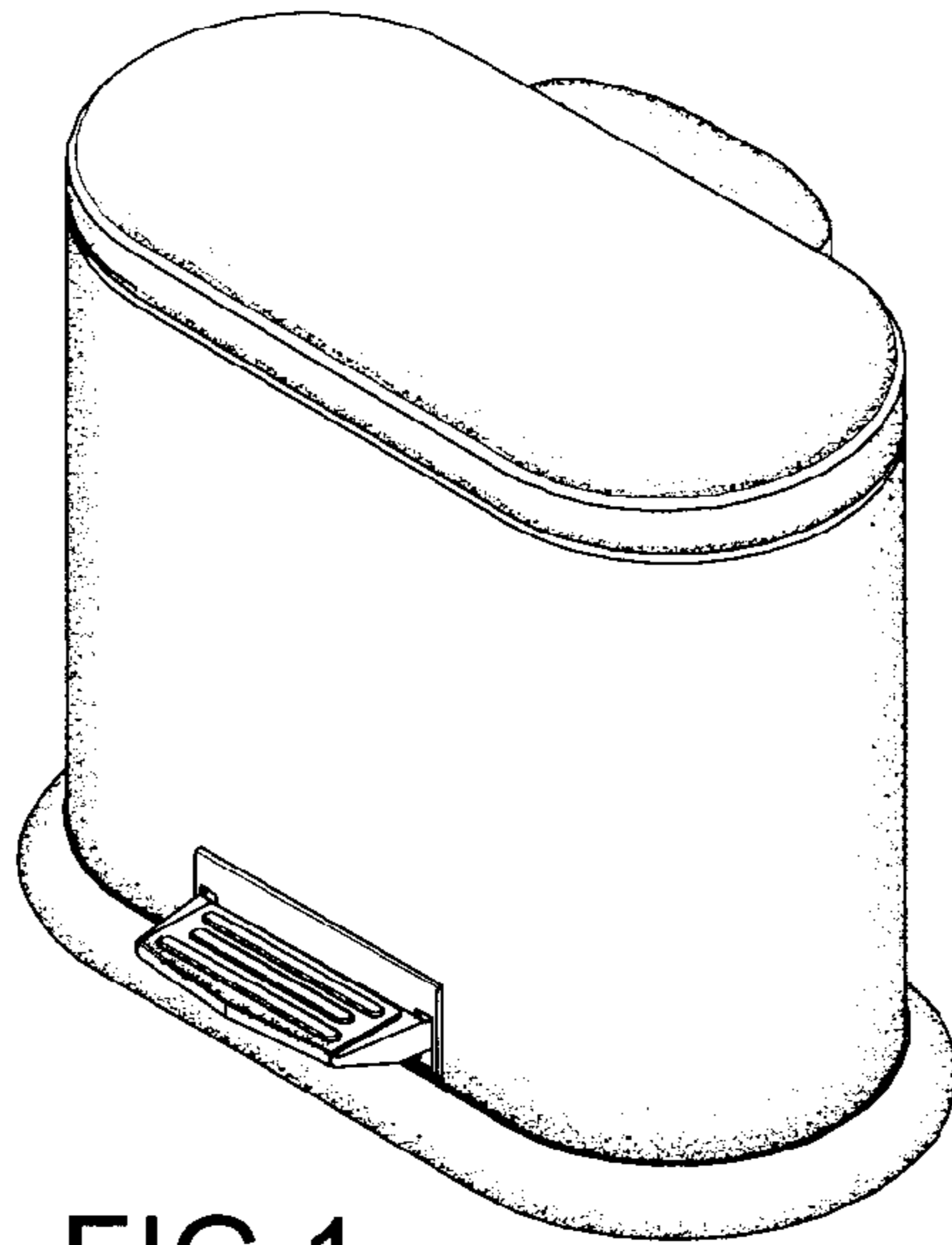


FIG.1

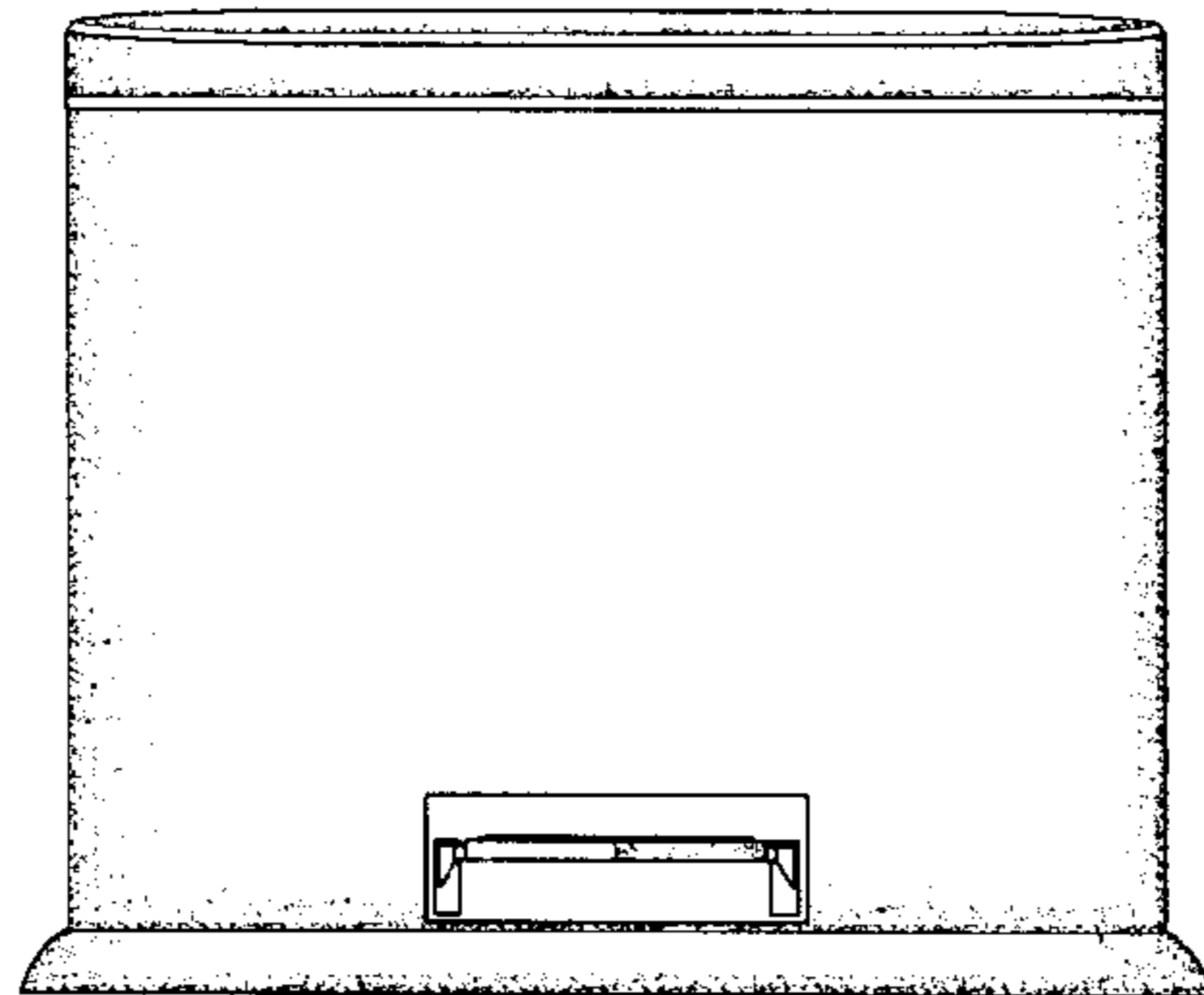


FIG.2

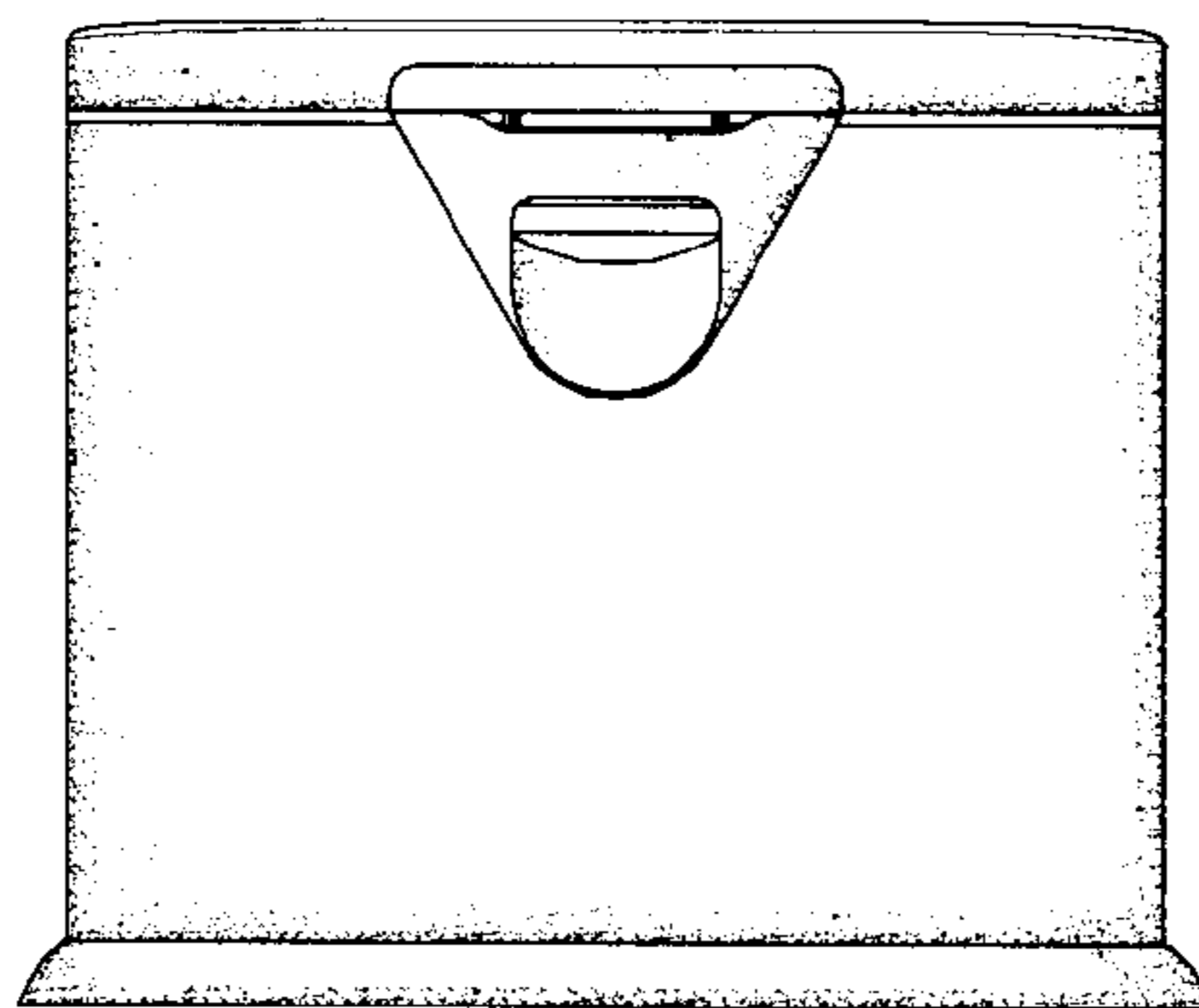


FIG.3

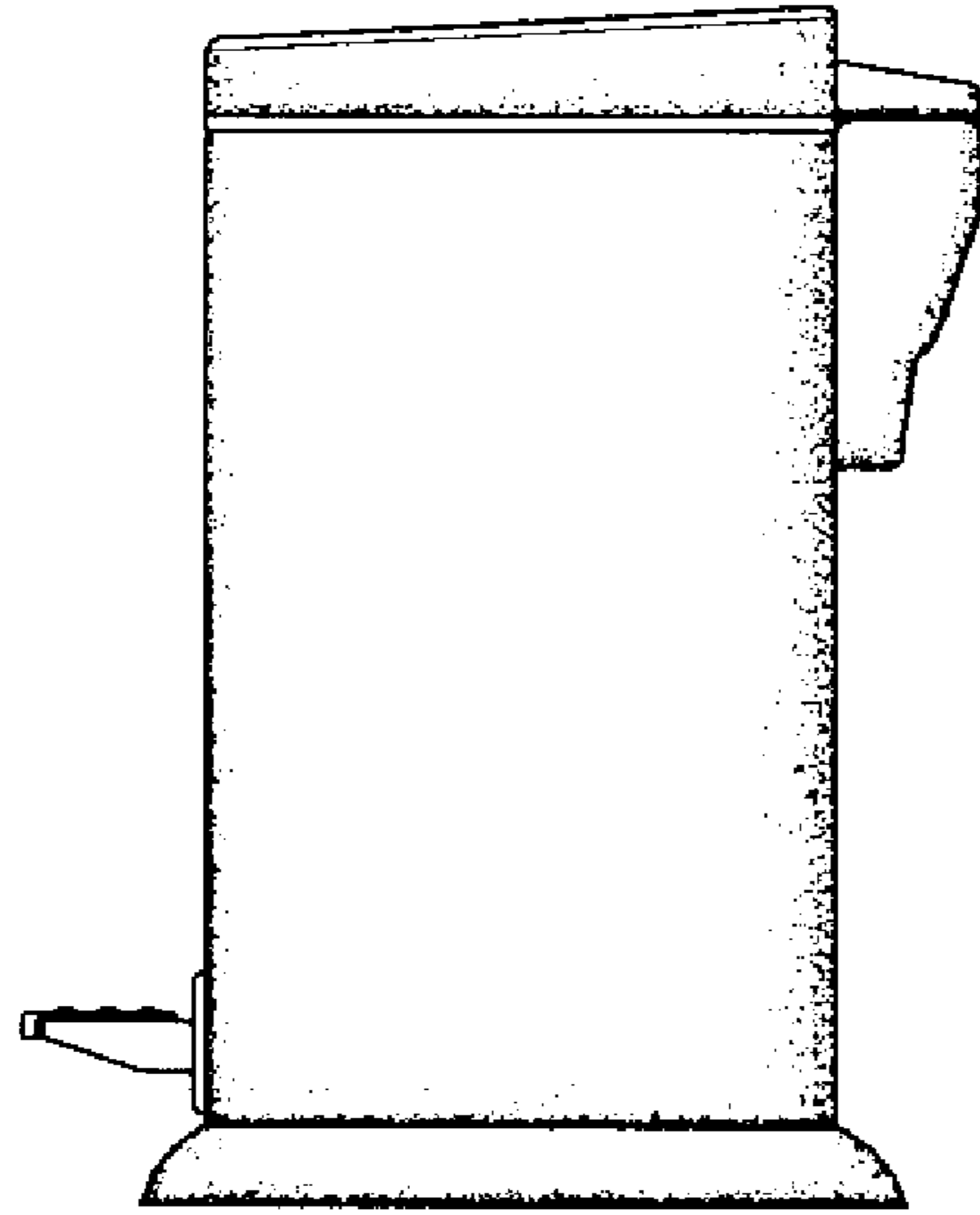


FIG. 4

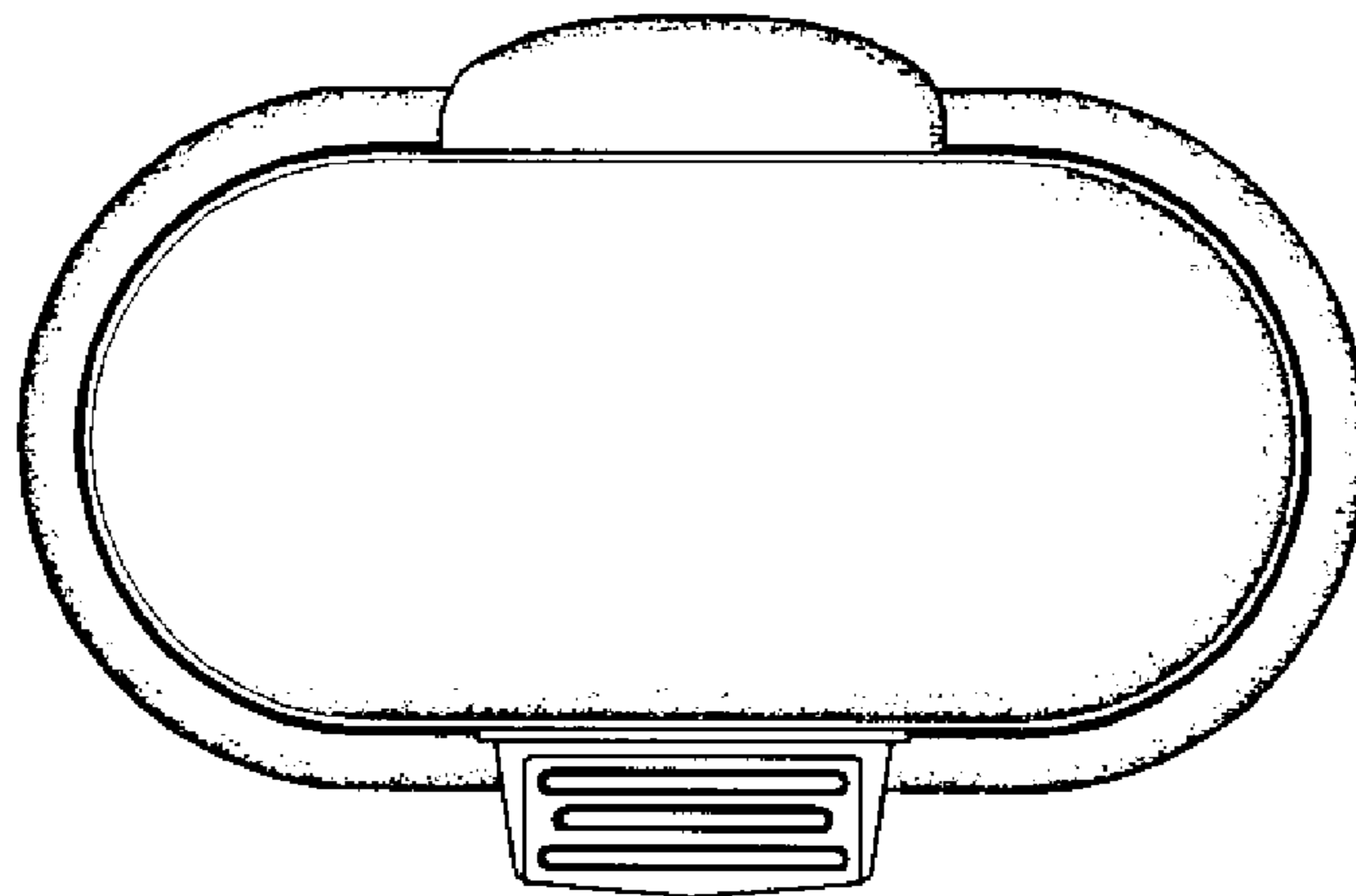


FIG. 5