

US00D542992S

(12) **United States Design Patent**
Lauer

(10) **Patent No.:** **US D542,992 S**

(45) **Date of Patent:** **** May 15, 2007**

(54) **SIDE PRESS MOP WRINGER**
(75) Inventor: **Robert W. Lauer**, Winchester, VA (US)
(73) Assignee: **Rubbermaid Commercial Products LLC**, Winchester, VA (US)
(**) Term: **14 Years**

6,389,638 B1 * 5/2002 Dickinson et al. 15/261
6,457,203 B1 * 10/2002 Williams et al. 15/261
6,560,815 B1 5/2003 Brennan et al.
6,671,923 B2 * 1/2004 Gromnicki 15/261
D489,852 S 5/2004 Perelli
2002/0120997 A1 * 9/2002 Alt 15/261
2003/0217428 A1 11/2003 Perelli

* cited by examiner

(21) Appl. No.: **29/240,510**
(22) Filed: **Oct. 14, 2005**

Primary Examiner—Pamela J. Burgess
(74) *Attorney, Agent, or Firm*—Foley & Lardner LLP

(51) **LOC (8) Cl.** **07-07**
(52) **U.S. Cl.** **D32/53**
(58) **Field of Classification Search** D32/53–53.1;
D3/315; 15/257.05, 260–264; 100/233–234;
220/604, 608, 669, 735, 760, 768
See application file for complete search history.

(57) **CLAIM**

The ornamental design for a side press mop wringer, as shown and described.

DESCRIPTION

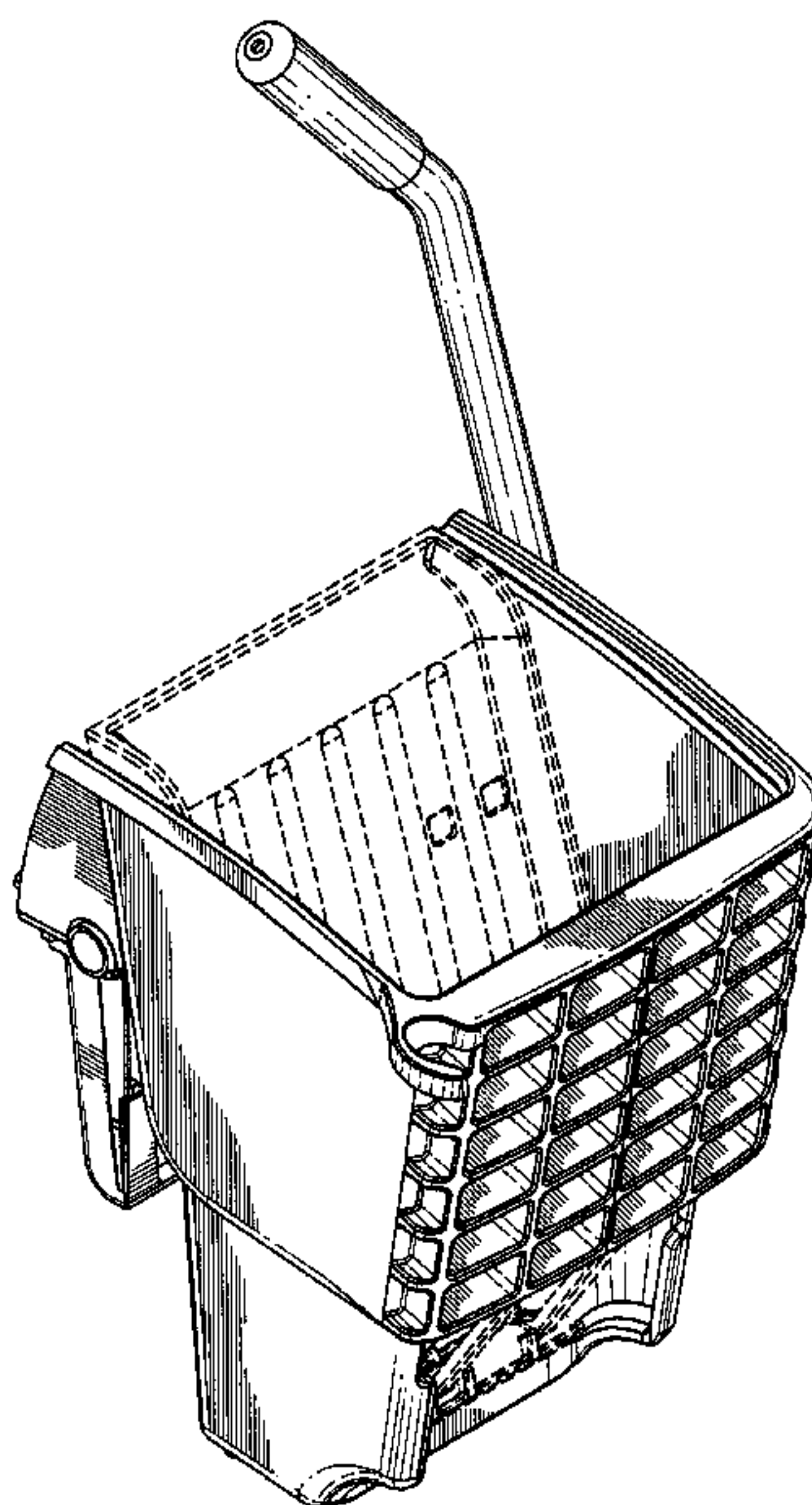
(56) **References Cited**
U.S. PATENT DOCUMENTS

2,321,981 A	6/1943	Bowers	
2,860,809 A	11/1958	Perry	
3,995,434 A	12/1976	Kato et al.	
D350,632 S	9/1994	Cummins	
D362,941 S	* 10/1995	Delmerico et al.	D32/53
D374,321 S	* 10/1996	Mandell et al.	D32/53
D407,878 S	4/1999	Carlson	
D408,602 S	4/1999	Carlson	
5,918,343 A	* 7/1999	Young	15/262
5,971,199 A	10/1999	Jackson et al.	
D417,051 S	* 11/1999	Dickinson et al.	D32/53
5,974,621 A	* 11/1999	Wilen	15/261
D426,361 S	6/2000	Young	
D429,396 S	* 8/2000	Houry et al.	D32/53
D429,862 S	8/2000	Houry et al.	
6,115,877 A	9/2000	Morad et al.	
6,220,287 B1	4/2001	Wolf	

FIG. 1 is a top frontal perspective view of a first embodiment of a side press mop wringer according to my new design; FIG. 2 is a front view of the side press mop wringer shown in FIG. 1; FIG. 3 is a back view of the side press mop wringer shown in FIG. 1; FIG. 4 is a left side view of the side press mop wringer shown in FIG. 1; FIG. 5 is a right side view of the side press mop wringer shown in FIG. 1; FIG. 6 is a top view of the side press mop wringer shown in FIG. 1; and, FIG. 7 is a bottom view of the side press mop wringer shown in FIG. 1.

The ornamental design that is claimed is shown in solid lines in the drawings. The broken lines in the drawings are for illustrative purposes only and form no part of the claimed design.

1 Claim, 6 Drawing Sheets



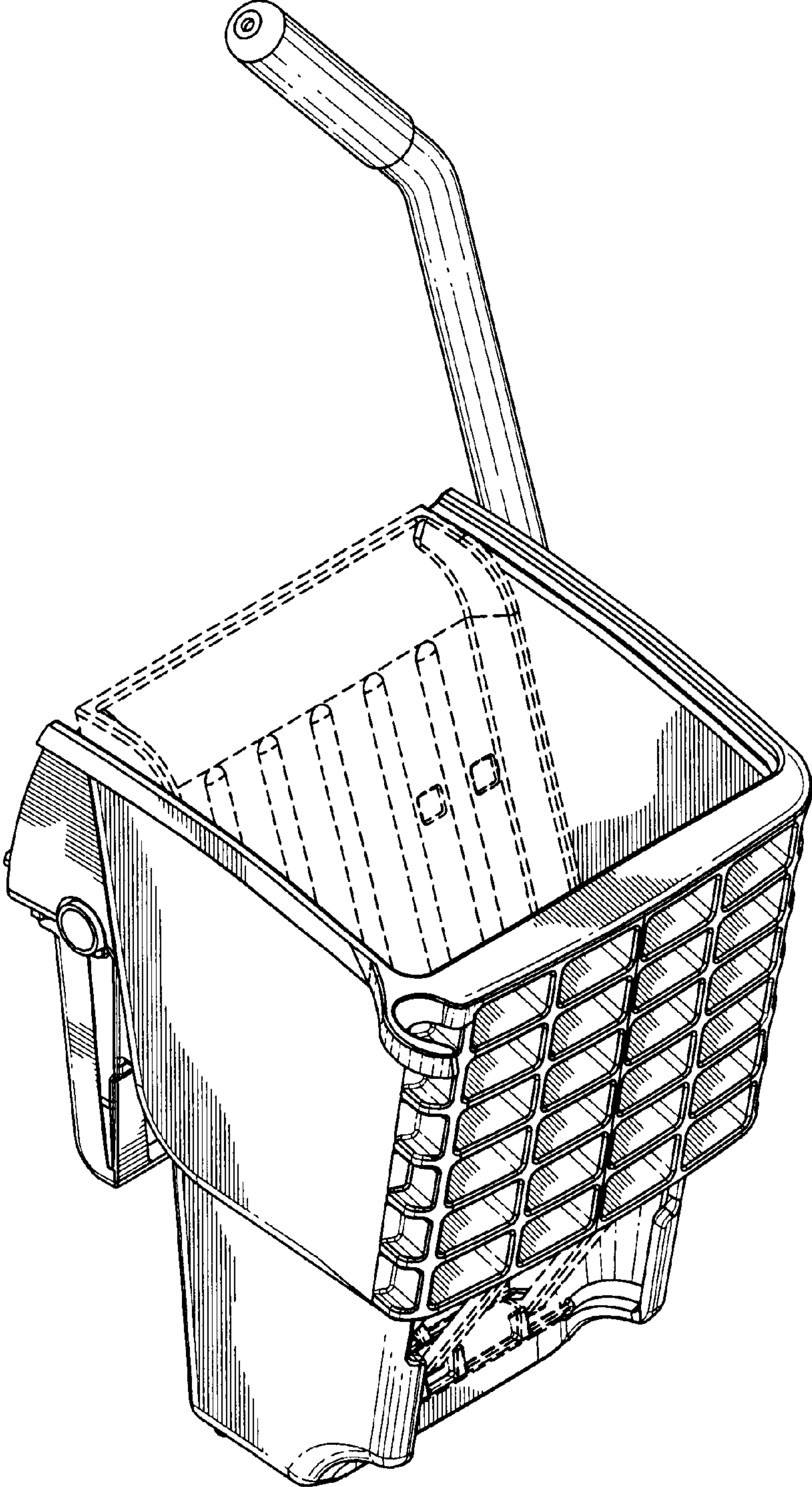


FIG. 1

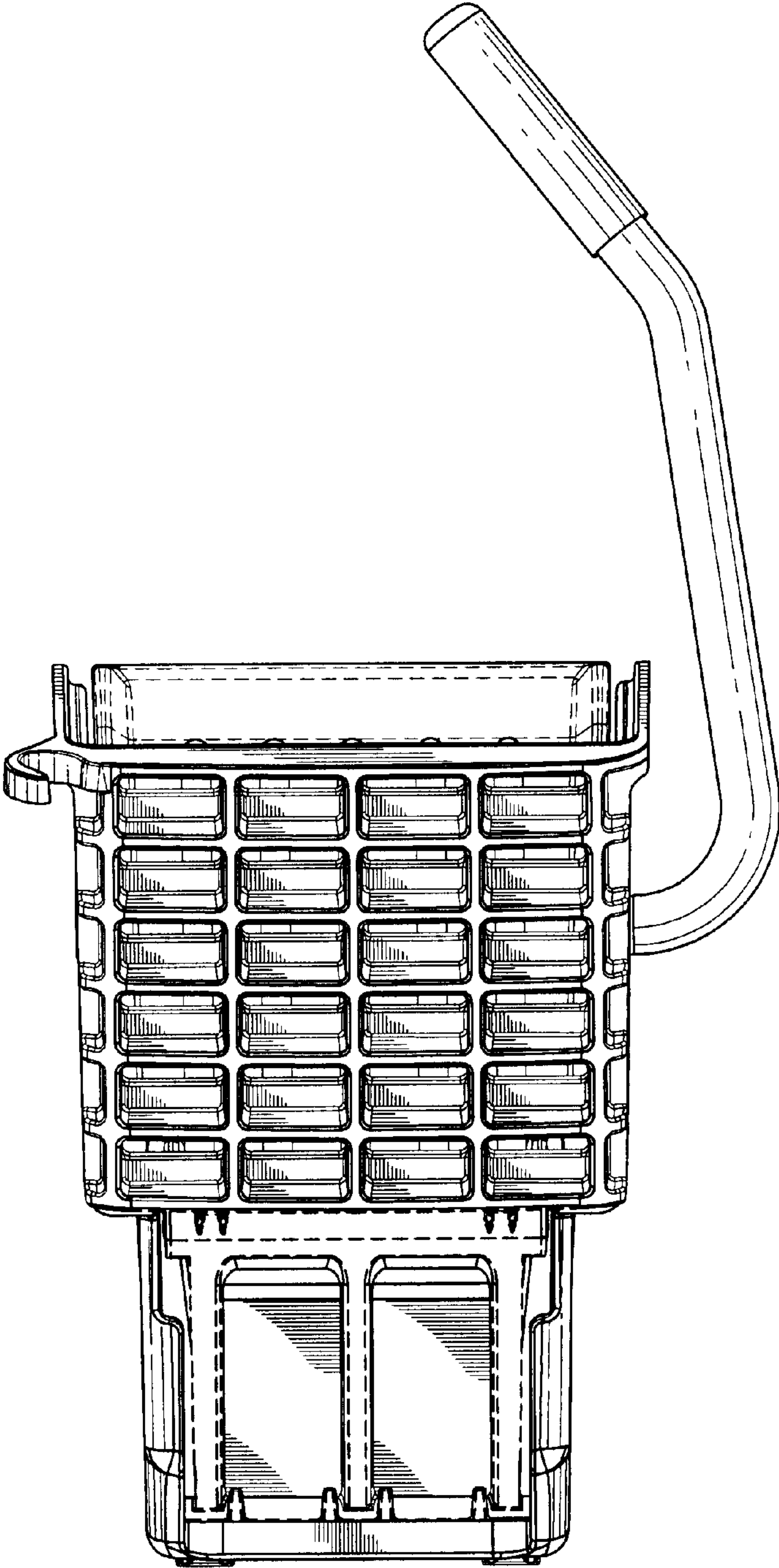


FIG. 2

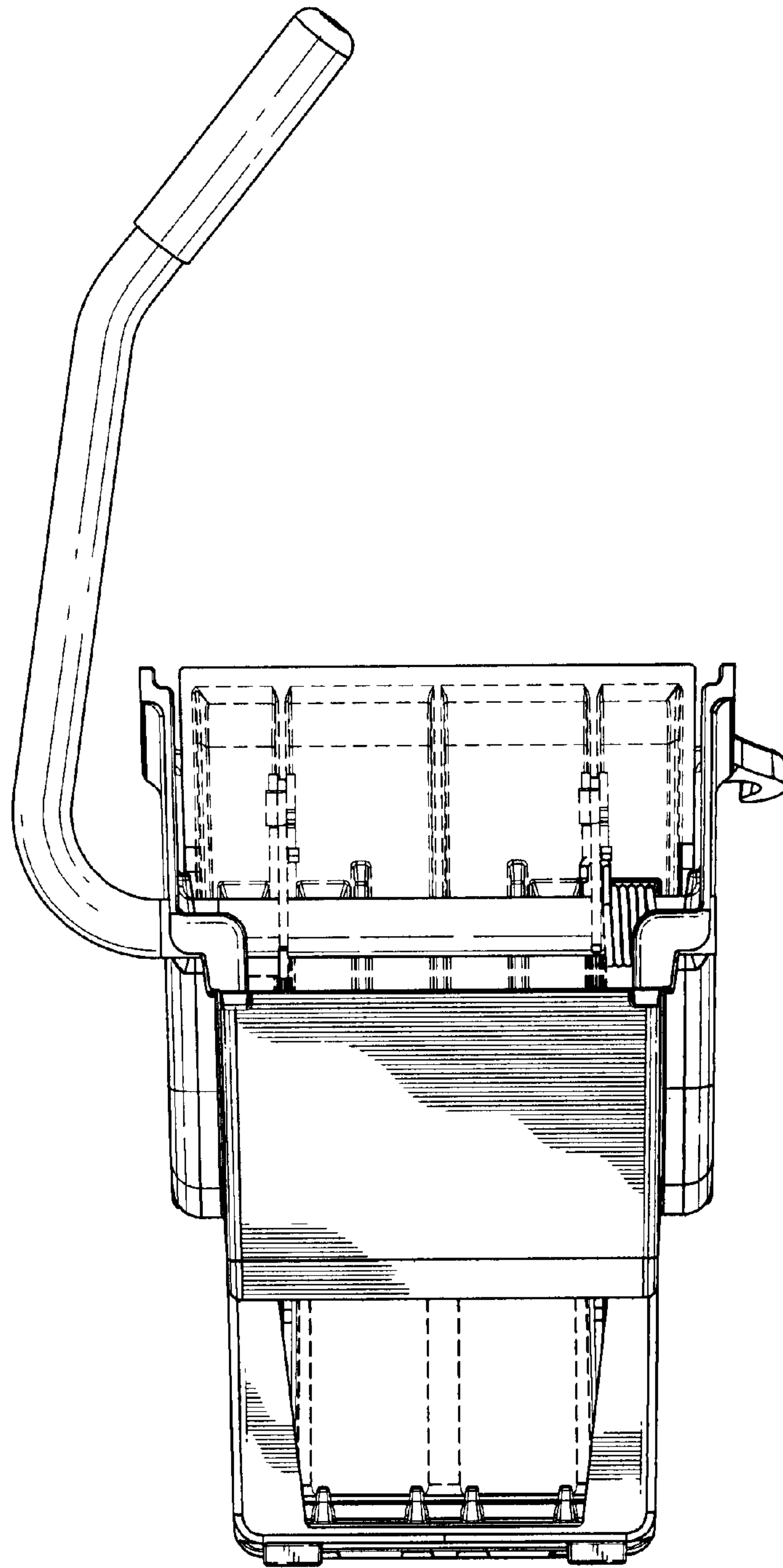


FIG. 3

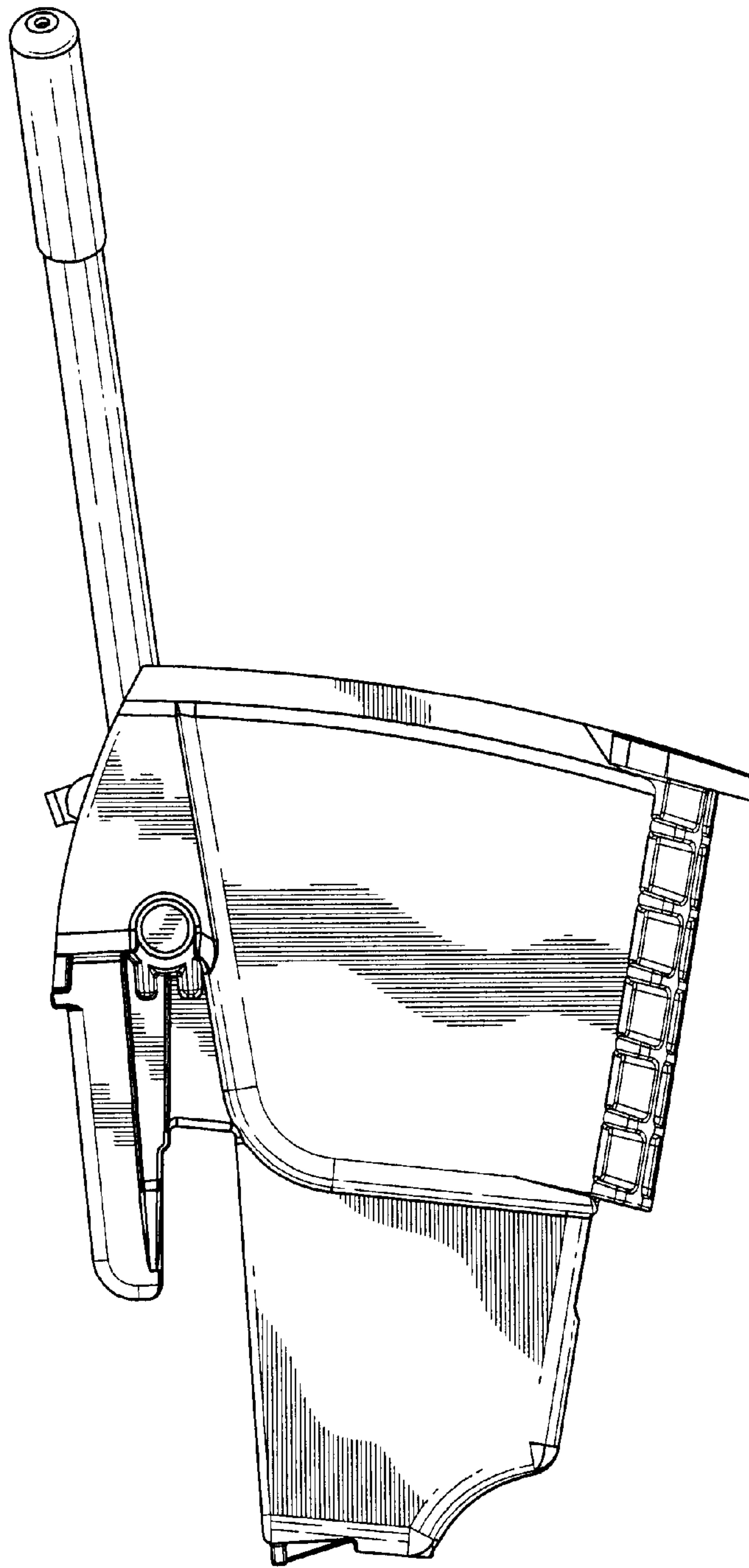


FIG.4

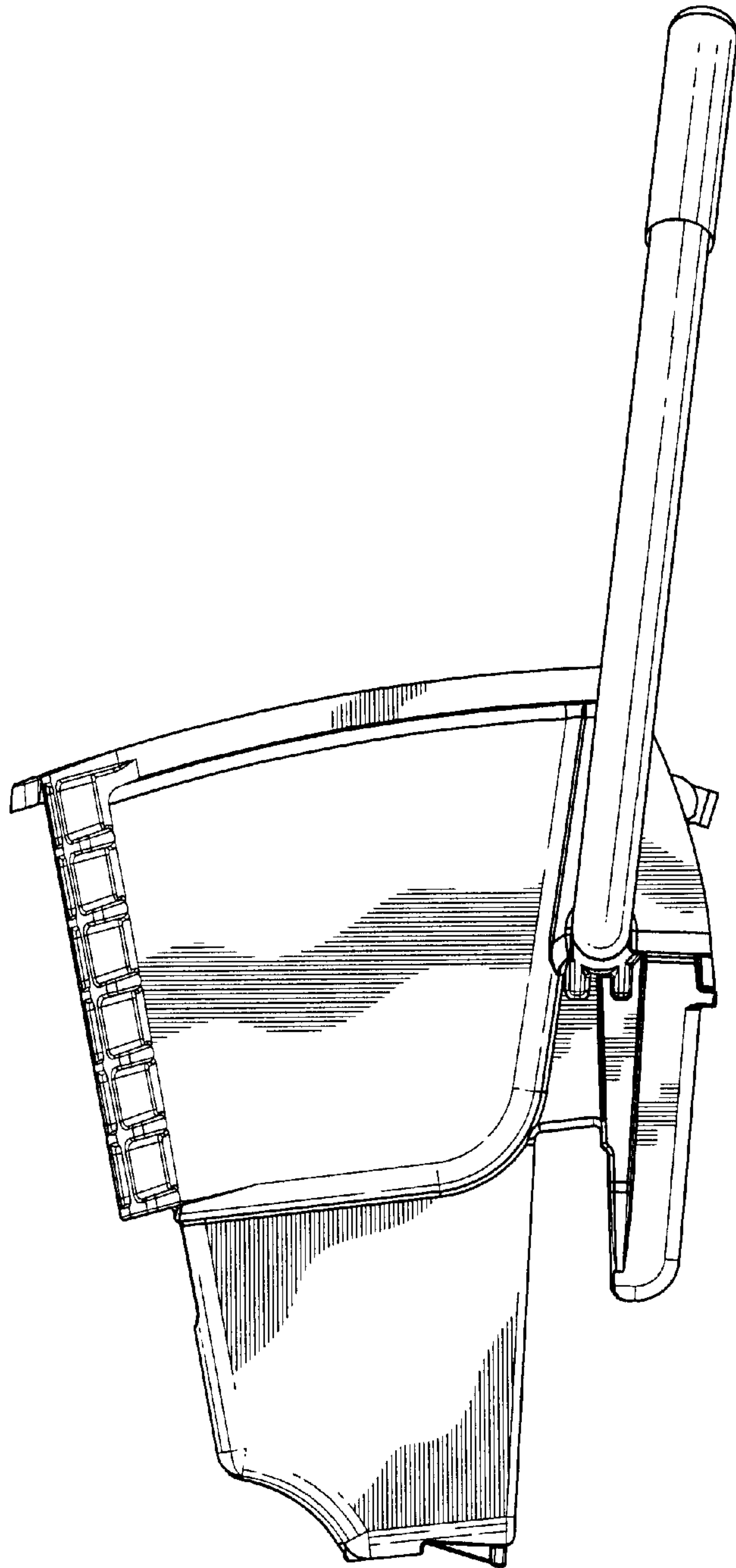


FIG. 5

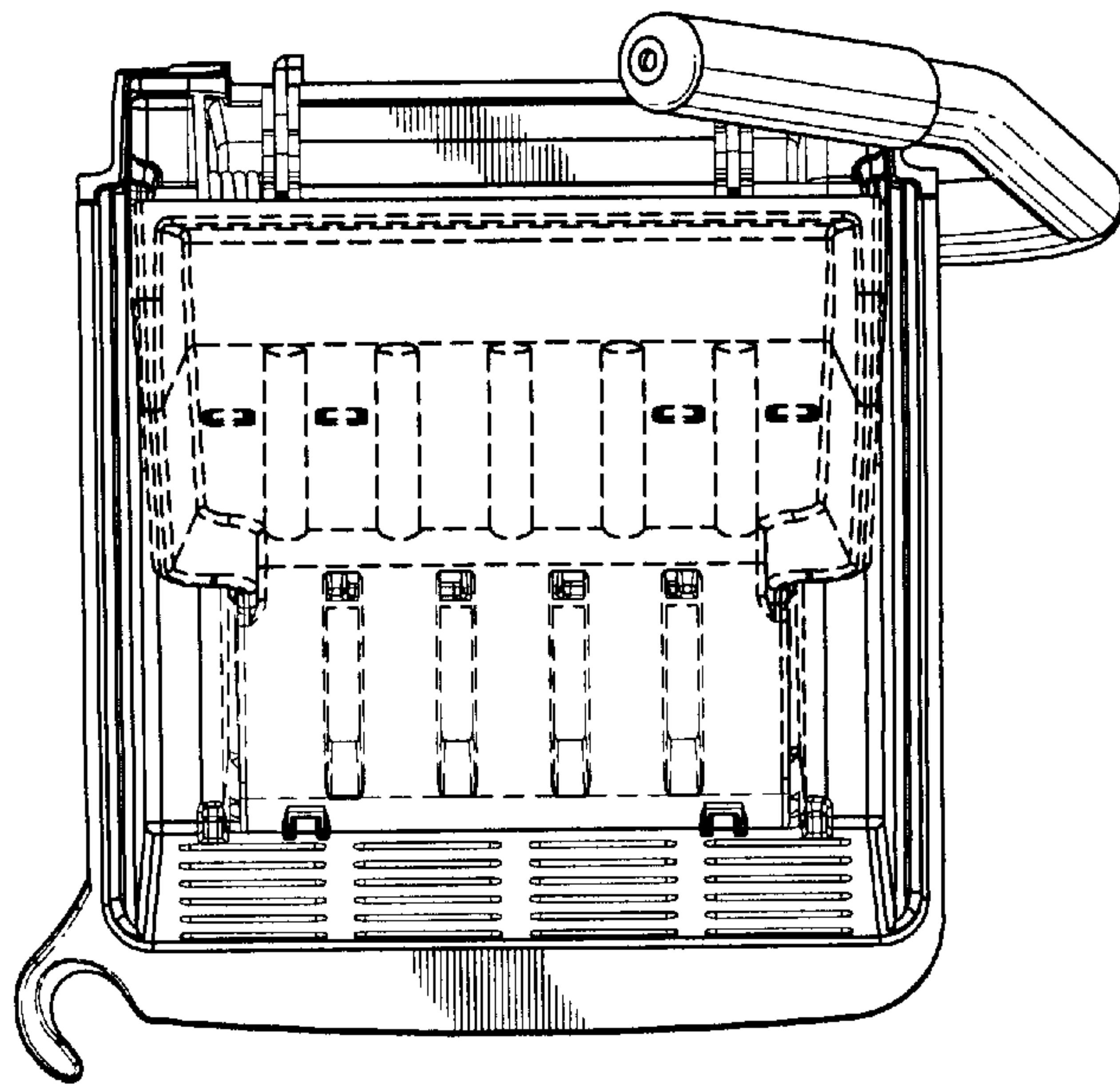


FIG. 6

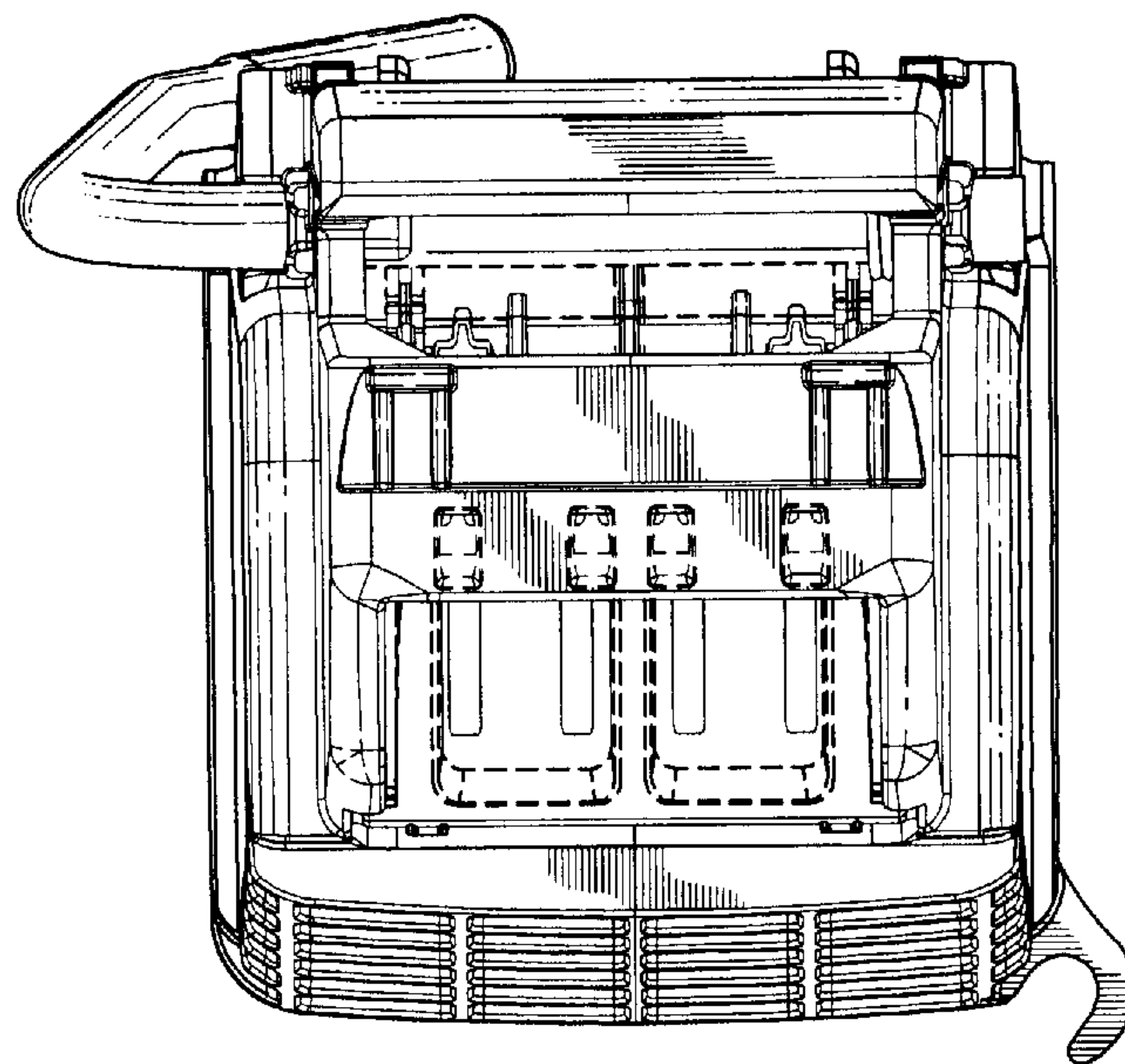


FIG. 7