



US00D542991S

(12) **United States Design Patent**
Petner et al.

(10) **Patent No.:** **US D542,991 S**

(45) **Date of Patent:** **** May 15, 2007**

(54) **HANDHELD CLEANING IMPLEMENT**

(75) Inventors: **Robert E. Petner**, Burlington, NJ (US);
Charles E. Gengler, South Orange, NJ (US)

(73) Assignee: **NiceLife, Inc.**, Burlington, NJ (US)

(**) Term: **14 Years**

(21) Appl. No.: **29/243,833**

(22) Filed: **Dec. 1, 2005**

(51) **LOC (8) Cl.** **07-07**

(52) **U.S. Cl.** **D32/51; D4/138**

(58) **Field of Classification Search** D32/35,
D32/40, 46, 51-52; D4/138, 132, 137; 15/109.94,
15/143.1, 159.1, 160, 164, 209.1, 210.1,
15/211, 229.13, 244.1

See application file for complete search history.

(56) **References Cited**

U.S. PATENT DOCUMENTS

D198,075 S	*	4/1964	Davis	D7/693
6,216,306 B1	*	4/2001	Esterson et al.	15/111
D451,287 S	*	12/2001	Ingram	D4/118
D453,599 S	*	2/2002	Backman et al.	D32/49
D459,043 S	*	6/2002	Backman et al.	D32/49

D479,375 S	*	9/2003	Gringer et al.	D32/48
6,629,331 B2	*	10/2003	Panfilii et al.	15/236.06
D495,881 S	*	9/2004	Berti	D4/138
D509,033 S	*	8/2005	Dotterman et al.	D32/51
D527,855 S	*	9/2006	Williams	D32/49

* cited by examiner

Primary Examiner—Pamela J. Burgess

(74) *Attorney, Agent, or Firm*—Stuart M. Goldstein

(57) **CLAIM**

The ornamental design for a handheld cleaning implement, as shown and described.

DESCRIPTION

FIG. 1 is an elevation view of the handheld cleaning implement of the present invention.

FIG. 2 is a top view of the handheld cleaning implement of the present invention.

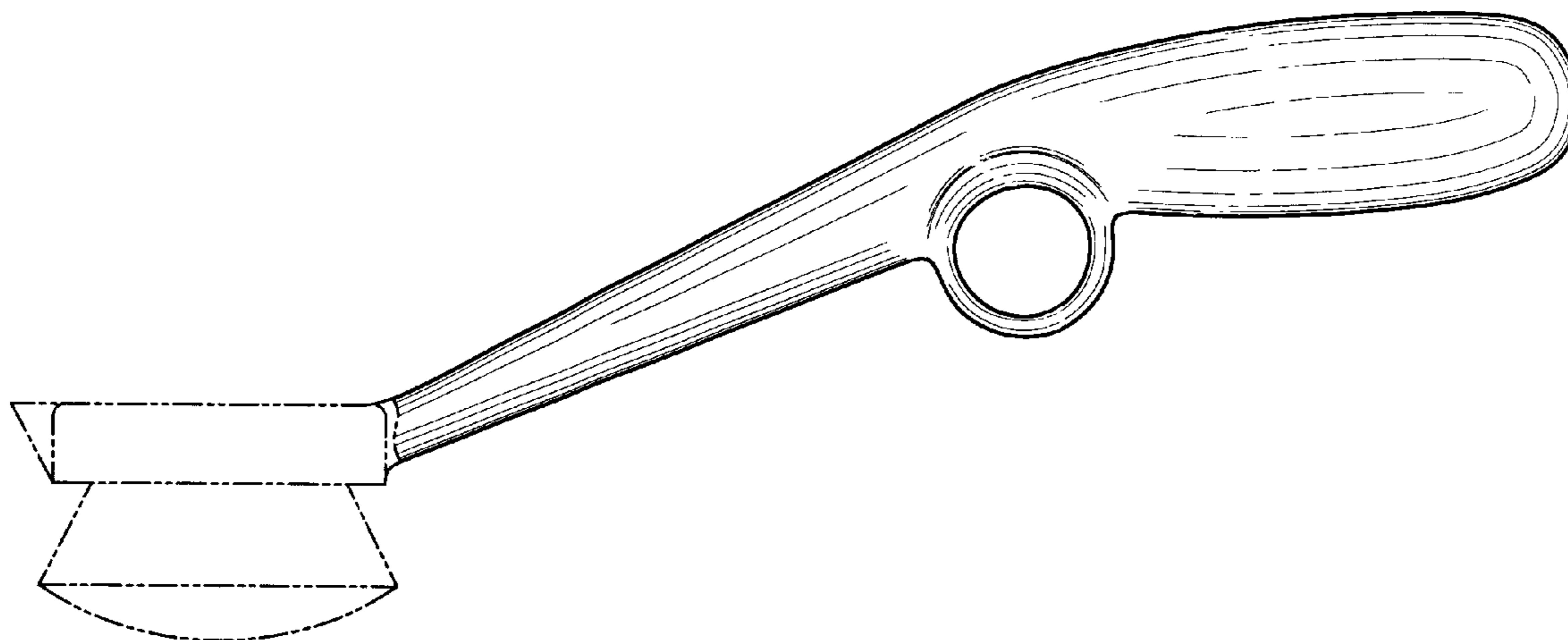
FIG. 3 is a bottom view of the handheld cleaning implement of the present invention.

FIG. 4 is a front view of the handheld cleaning implement of the present invention; and,

FIG. 5 is a rear view of the handheld cleaning implement of the present invention.

The broken lines shown in the drawings are for illustrative purposes only and form no part of the claimed design.

1 Claim, 3 Drawing Sheets



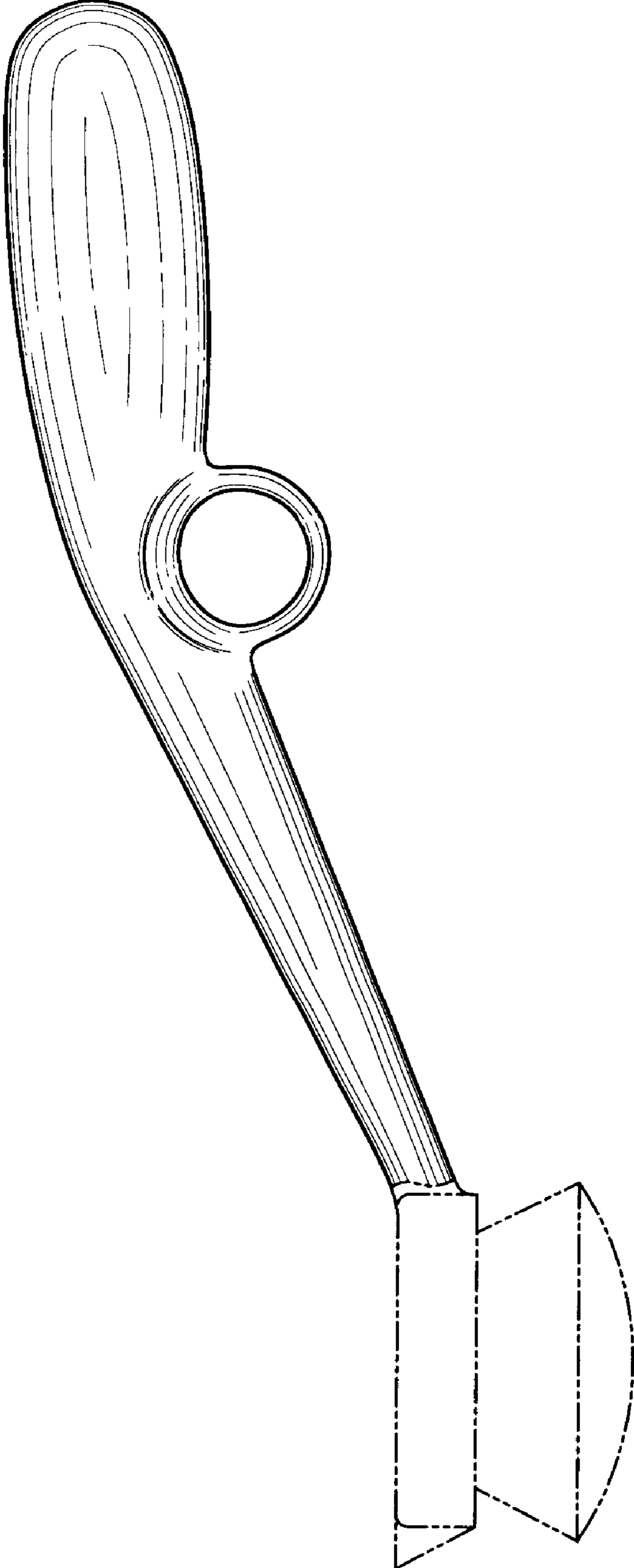


FIG. 1

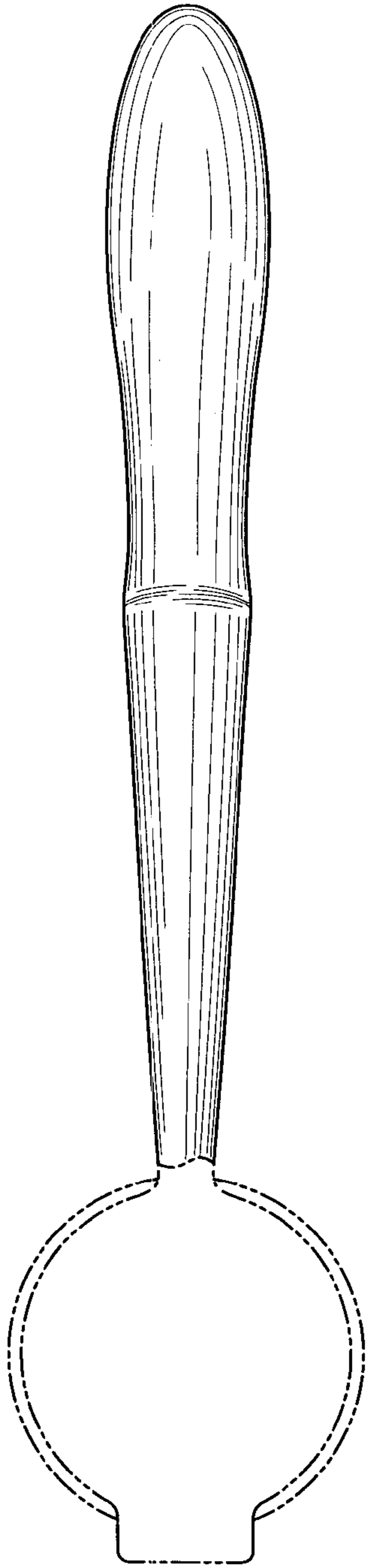


FIG. 2

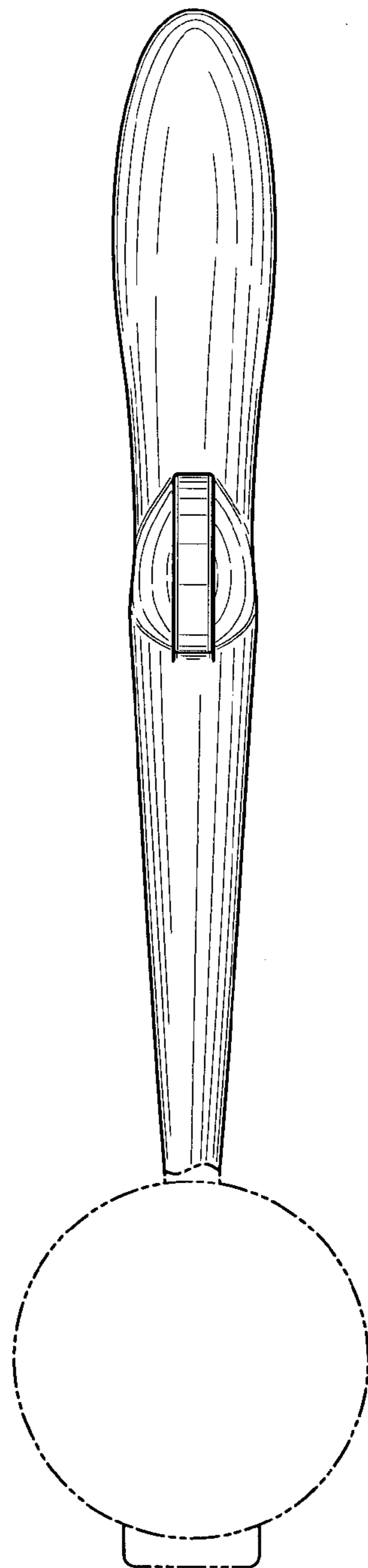


FIG. 3

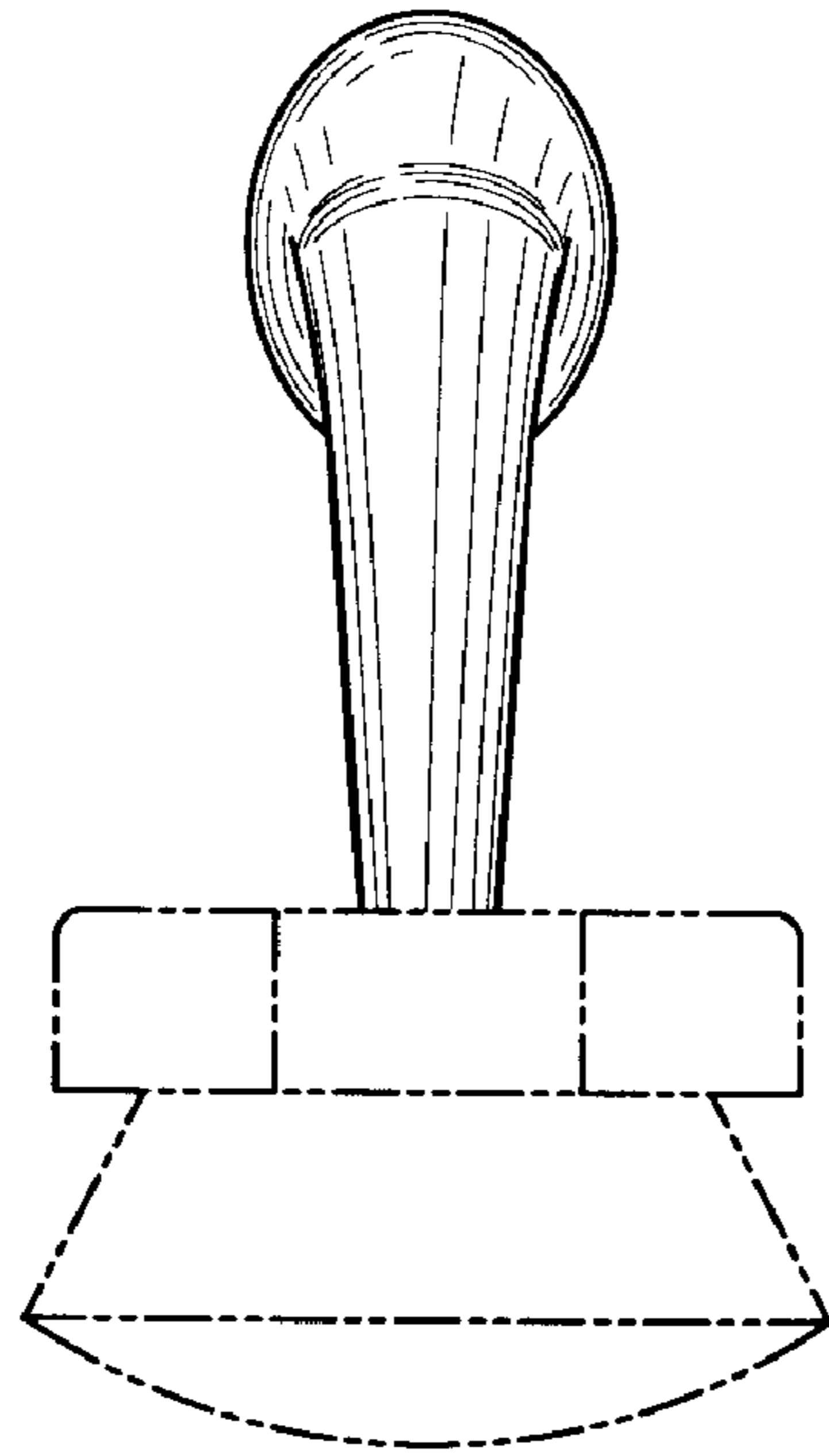


FIG. 4

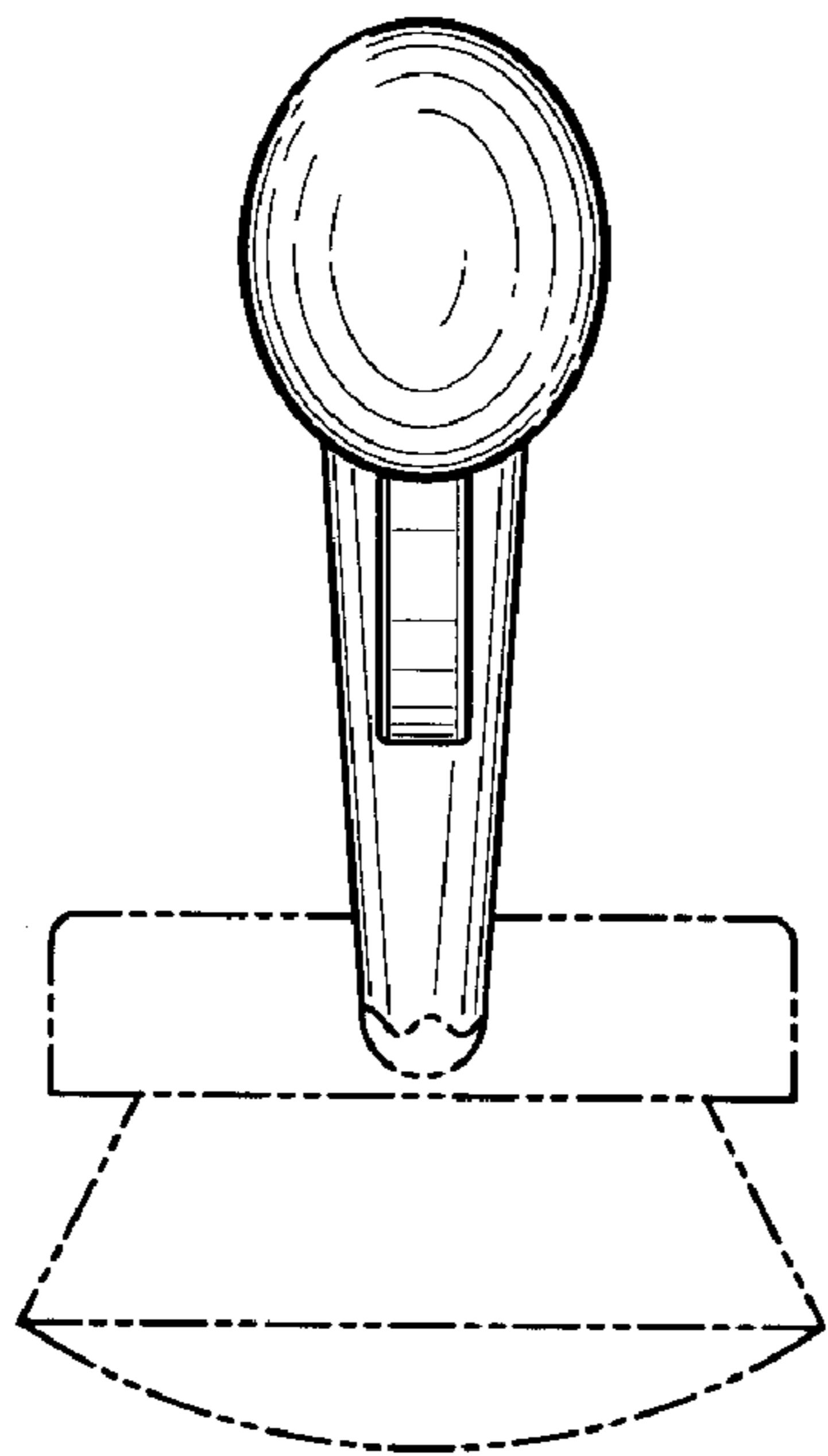


FIG. 5