



US00D542989S

(12) **United States Design Patent**
Weinberg et al.

(10) **Patent No.:** **US D542,989 S**

(45) **Date of Patent:** **** May 15, 2007**

(54) **VACUUM CLEANER**

(76) Inventors: **Andreas Weinberg**, Senefelderstrasse
78, DE-70176 Stuttgart (DE); **Martin
Ruf**, Justinus-Kerrier-Strasse 36,
DE-72070 Tübingen (DE)

(**) Term: **14 Years**

(21) Appl. No.: **29/240,389**

(22) Filed: **Oct. 11, 2005**

(30) **Foreign Application Priority Data**

Apr. 12, 2005 (DE) 4 05 01 973

(51) **LOC (8) Cl.** **15-05**

(52) **U.S. Cl.** **D32/23**

(58) **Field of Classification Search** D32/1,
D32/4, 15, 17-18, 21, 23-24, 31, 34; 15/301,
15/314-315, 319, 320-322, 340.1, 321, 323,
15/327.1, 327.6, 327.7, 335, 344-345, 347,
15/353, 355, 388, 410-412, 414, 415.1, 429;
D23/225; 68/222; 134/18; 700/245; 701/23
See application file for complete search history.

(56) **References Cited**

U.S. PATENT DOCUMENTS

D362,091 S * 9/1995 Tomasiak et al. D32/23

D426,355 S * 6/2000 Rohn et al. D32/21
D438,353 S * 2/2001 Hoshino et al. D32/23
D446,892 S * 8/2001 Griffin D32/23
D479,023 S * 8/2003 Holsten et al. D32/23
D486,280 S * 2/2004 Holsten et al. D32/23
D492,823 S * 7/2004 Hoshino et al. D32/23
D492,824 S * 7/2004 Tomasiak et al. D32/23

* cited by examiner

Primary Examiner—Ruth McInroy

(74) *Attorney, Agent, or Firm*—Pauley Petersen & Erickson

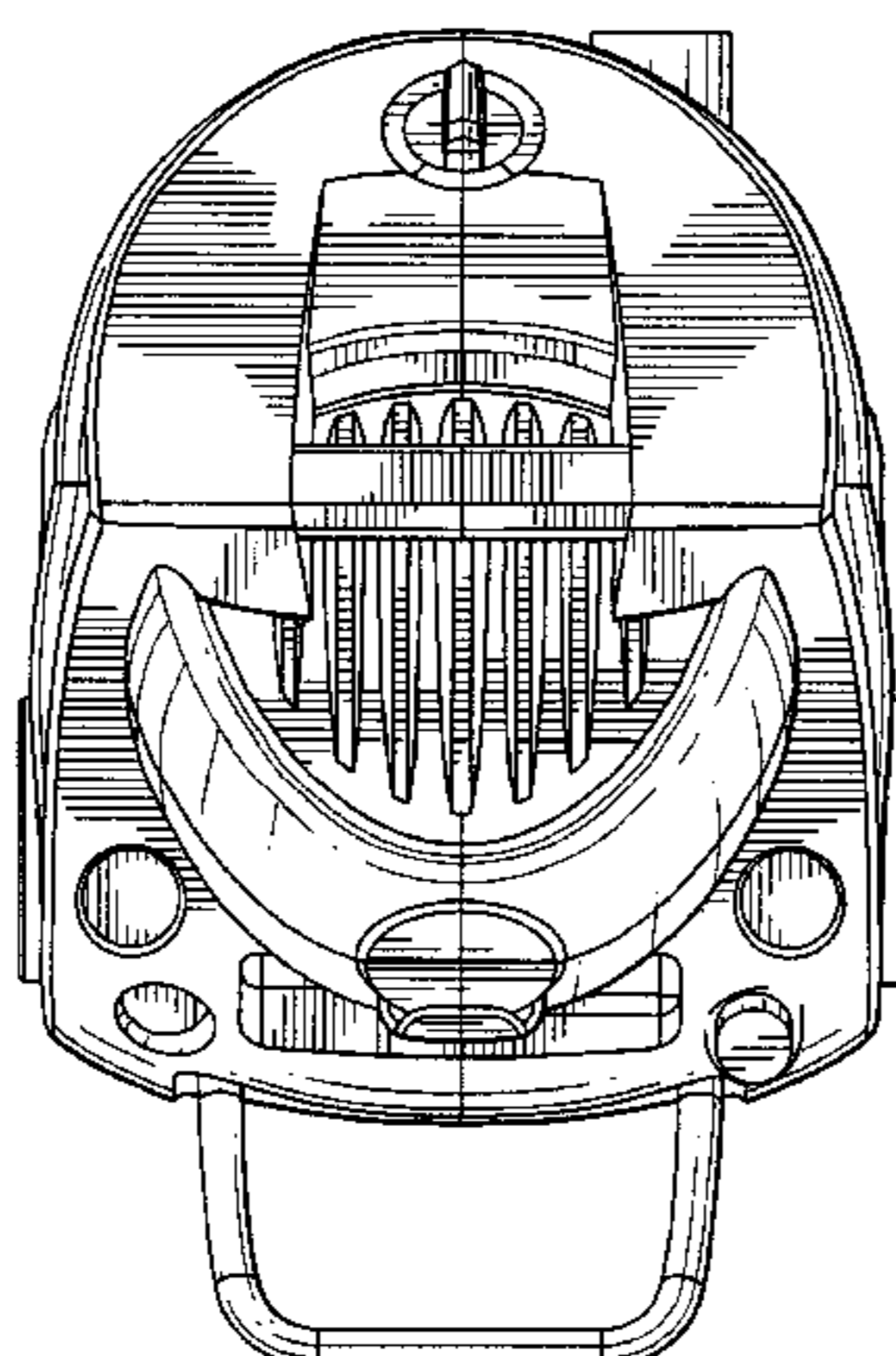
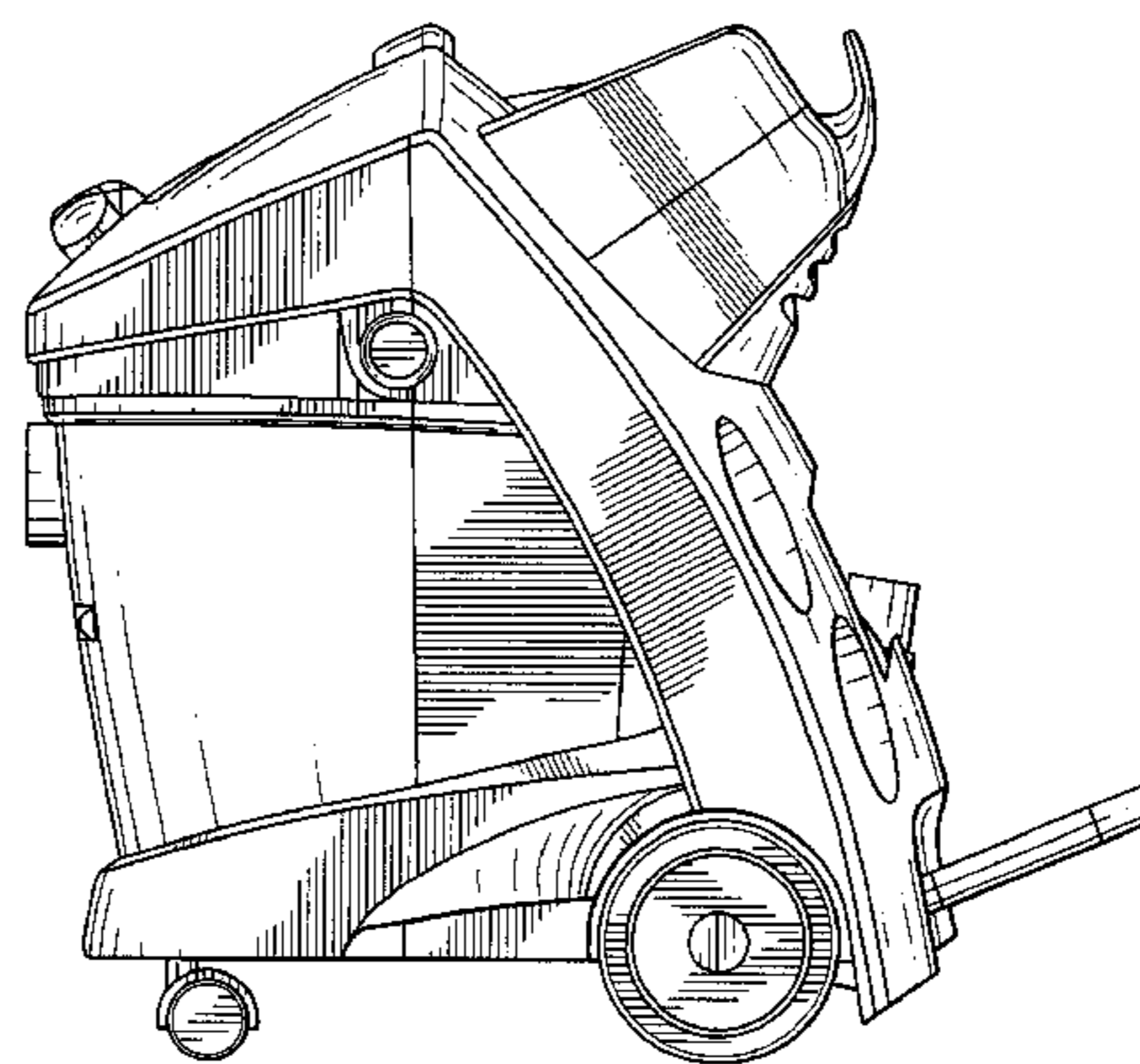
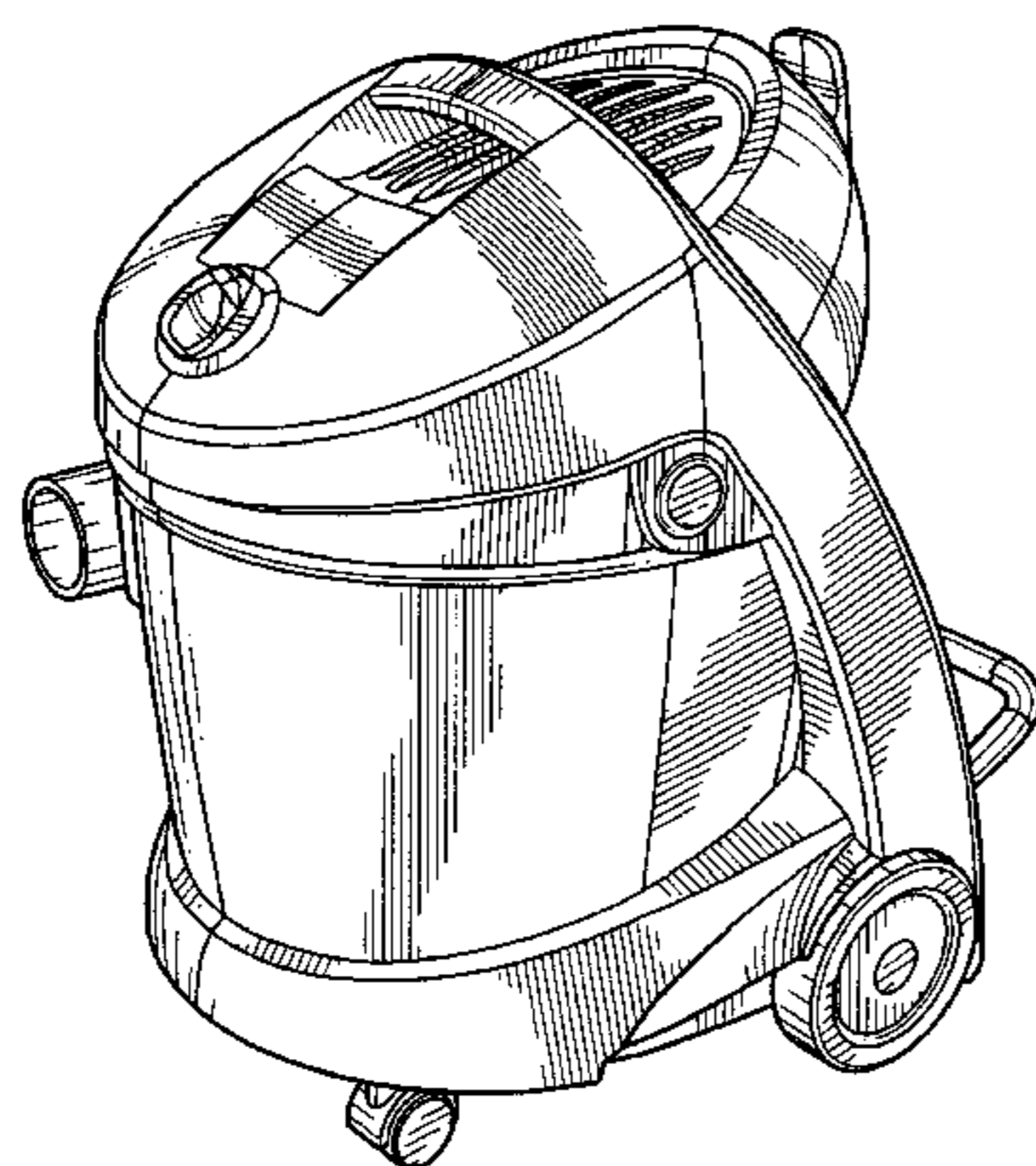
(57) **CLAIM**

We claim the ornamental design for a vacuum cleaner, as shown.

DESCRIPTION

FIG. 1 is a front perspective view of a vacuum cleaner showing our new design;
FIG. 2 is a front view thereof;
FIG. 3 is a rear view thereof;
FIG. 4 is a side view thereof;
FIG. 5 is a side view opposite FIG. 4;
FIG. 6 is a top view thereof; and,
FIG. 7 is a bottom view thereof.

1 Claim, 7 Drawing Sheets



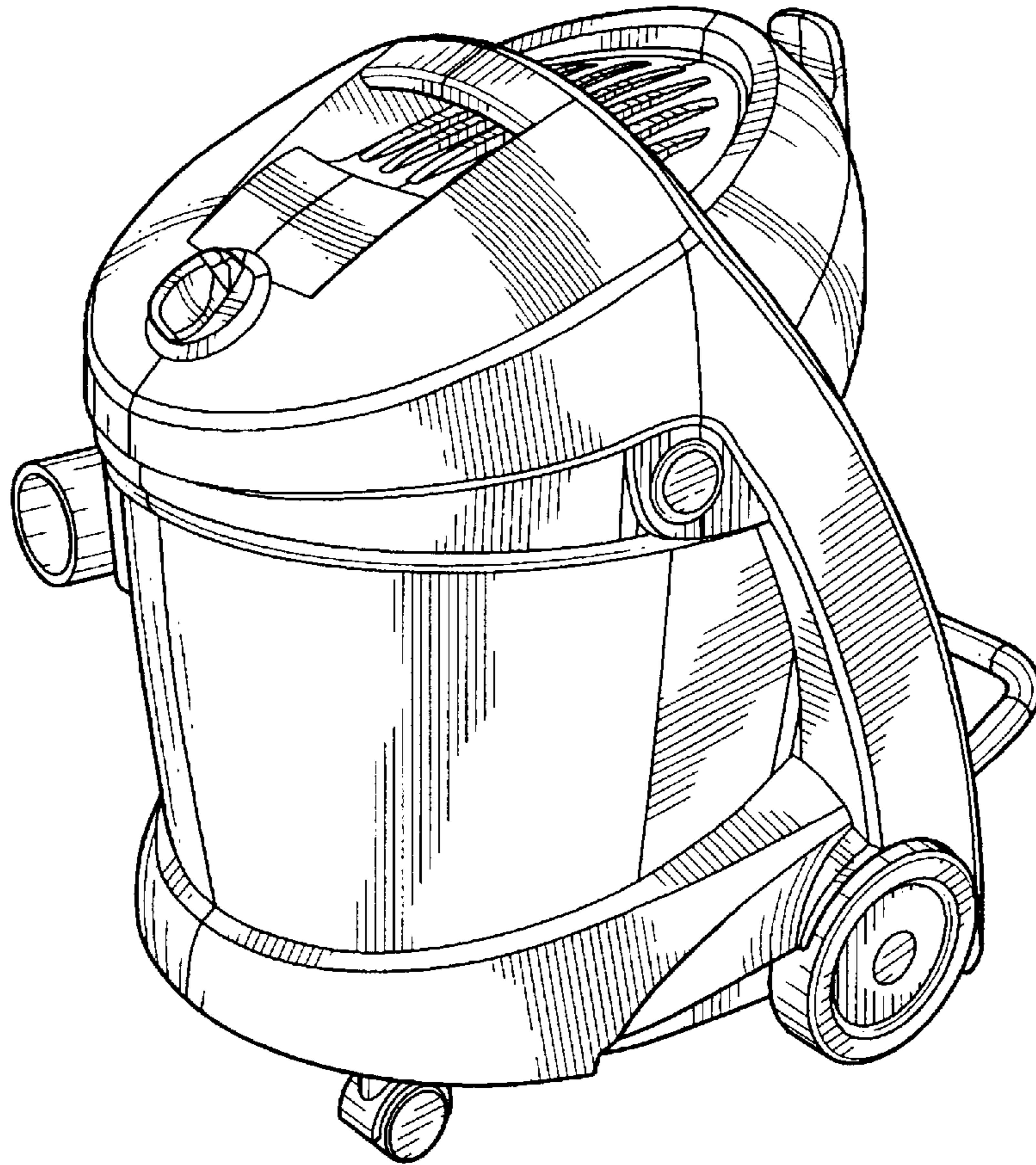


FIG. 1

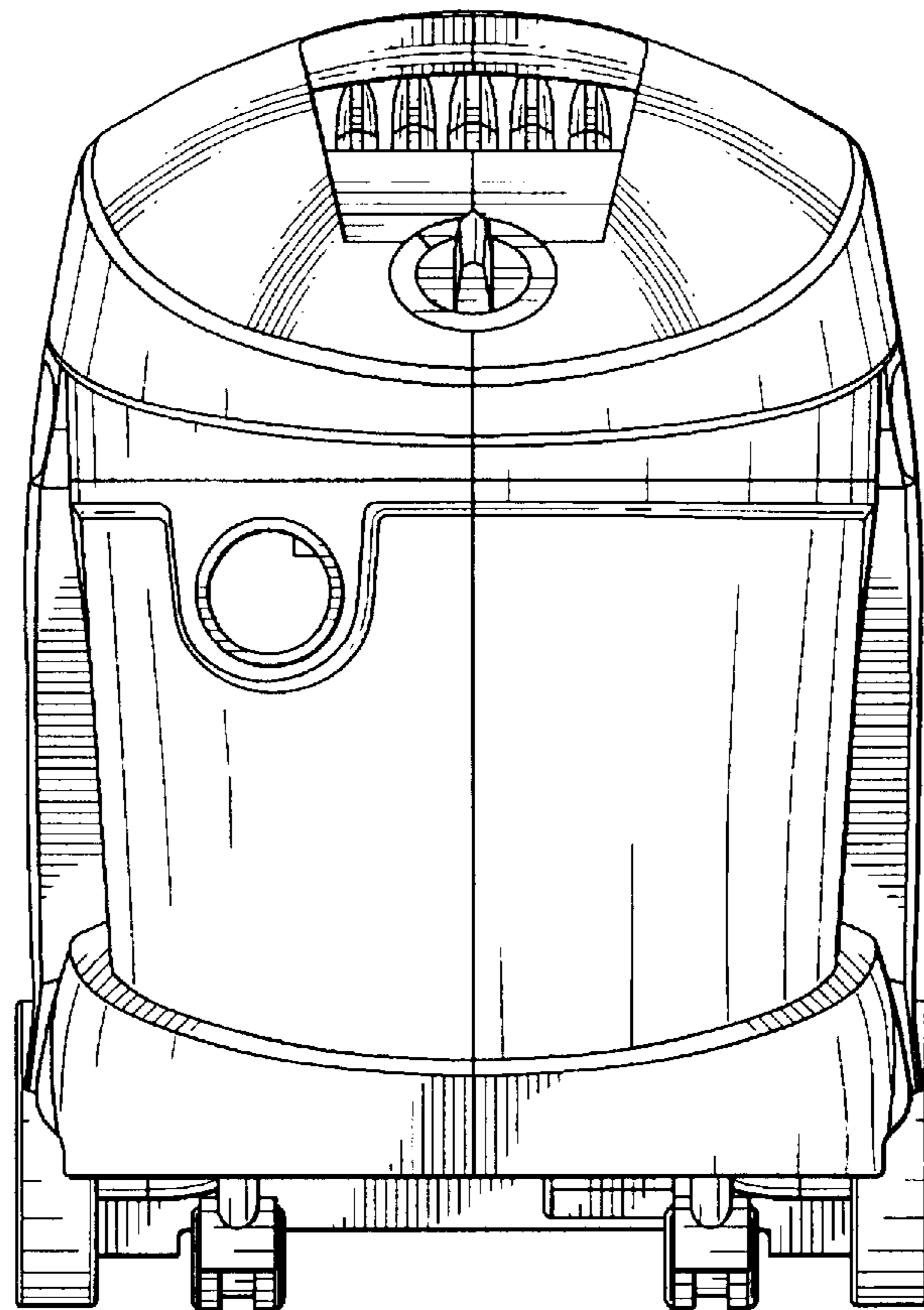


FIG.2

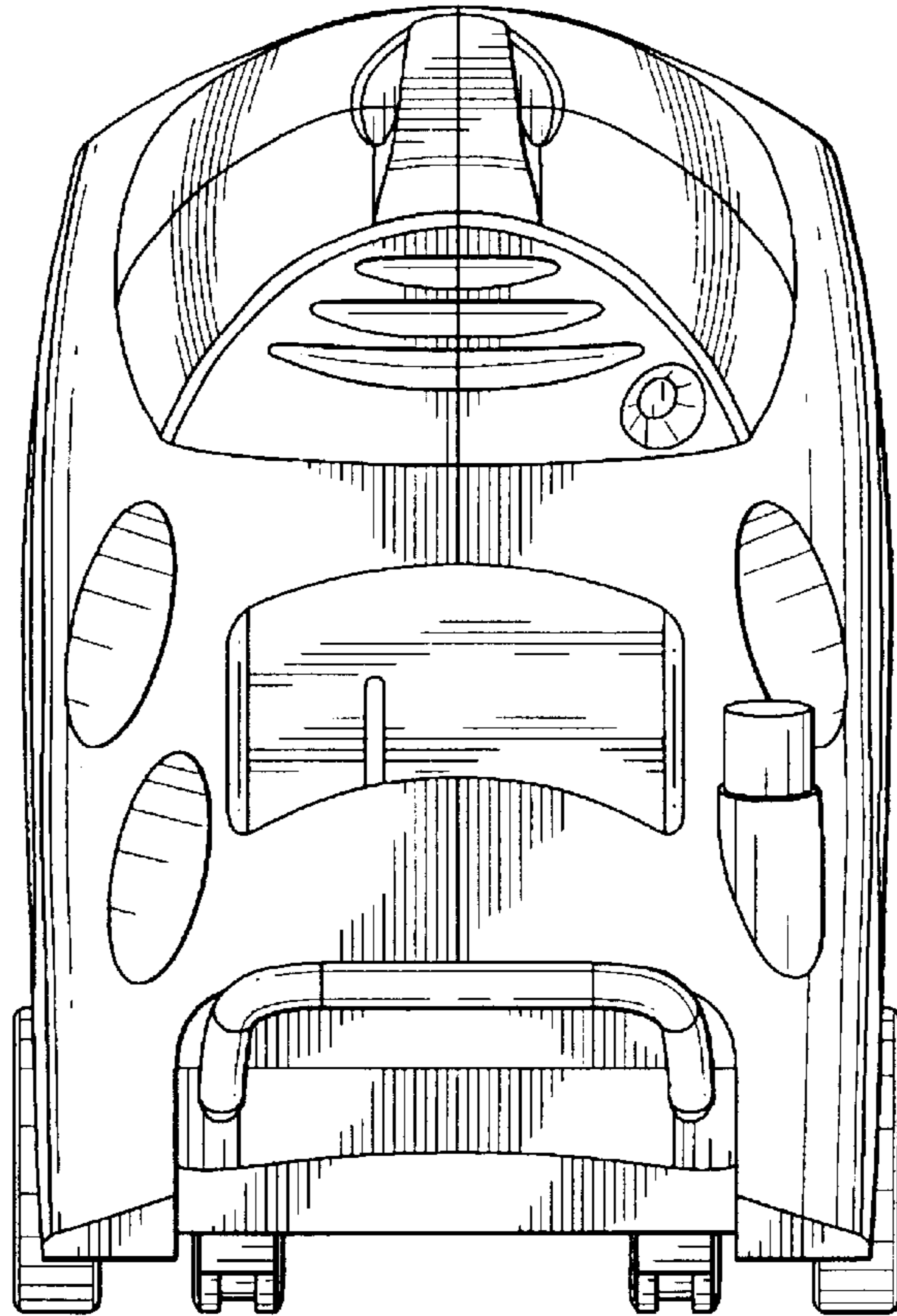


FIG.3

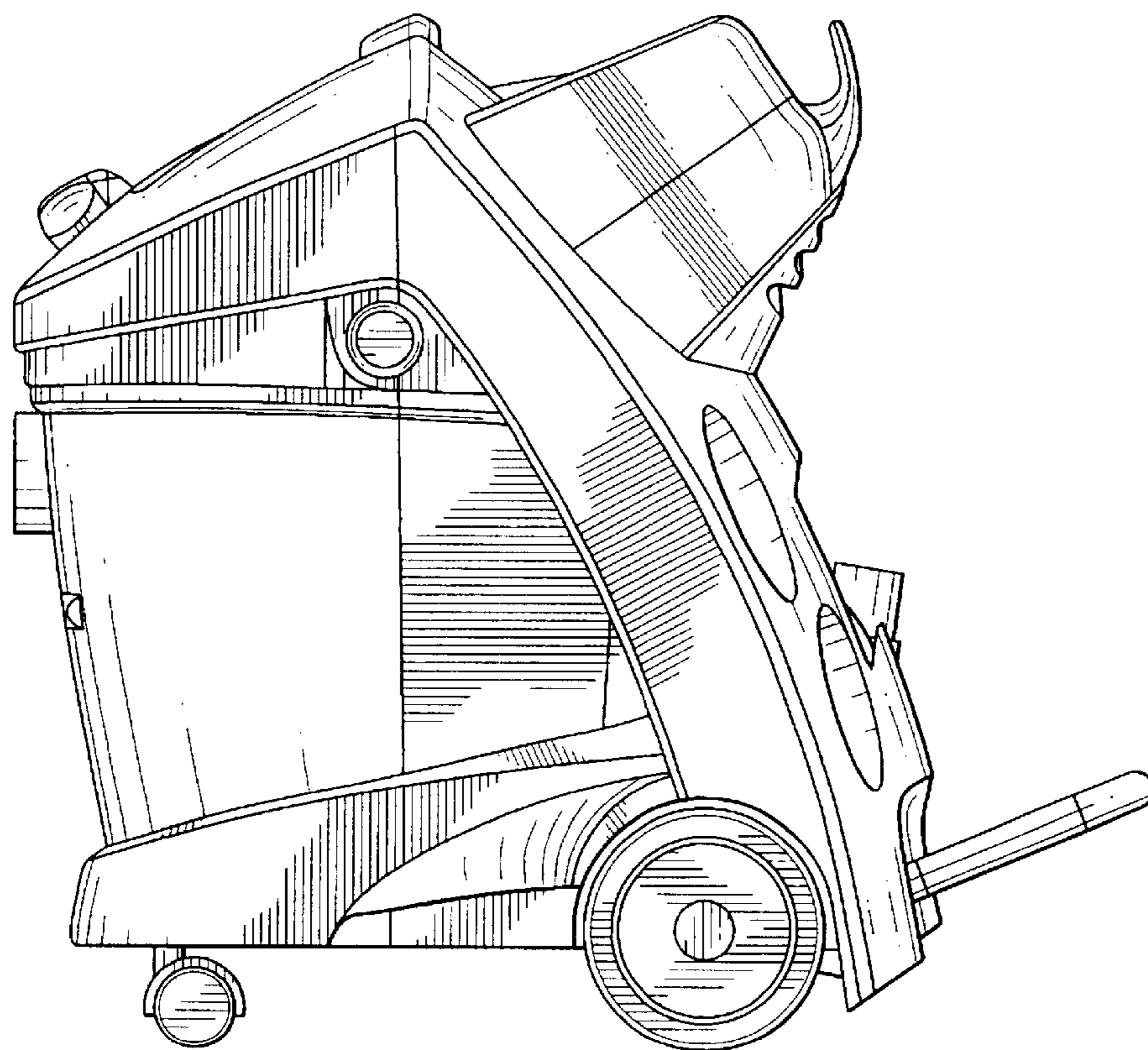


FIG.4

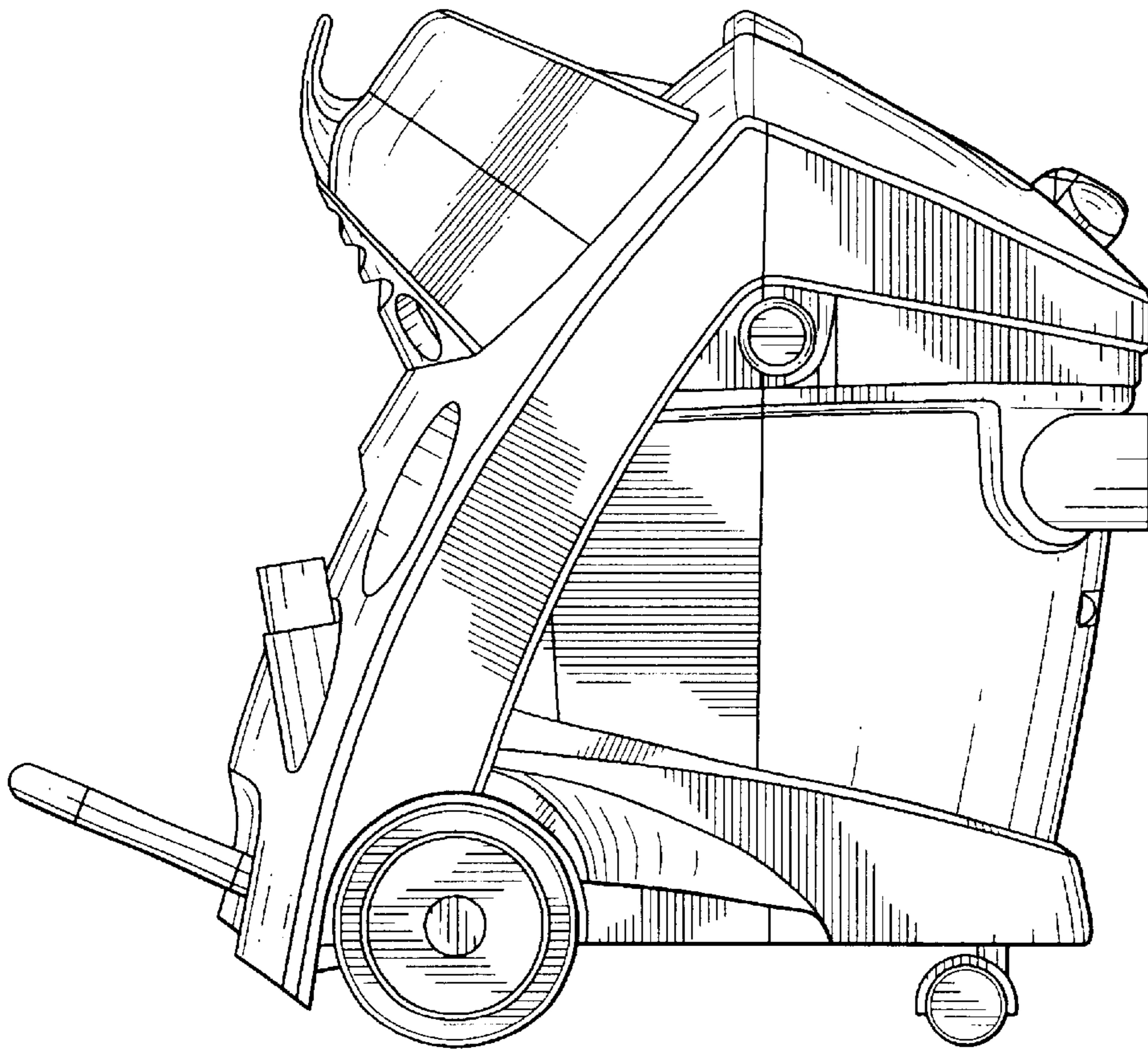


FIG.5

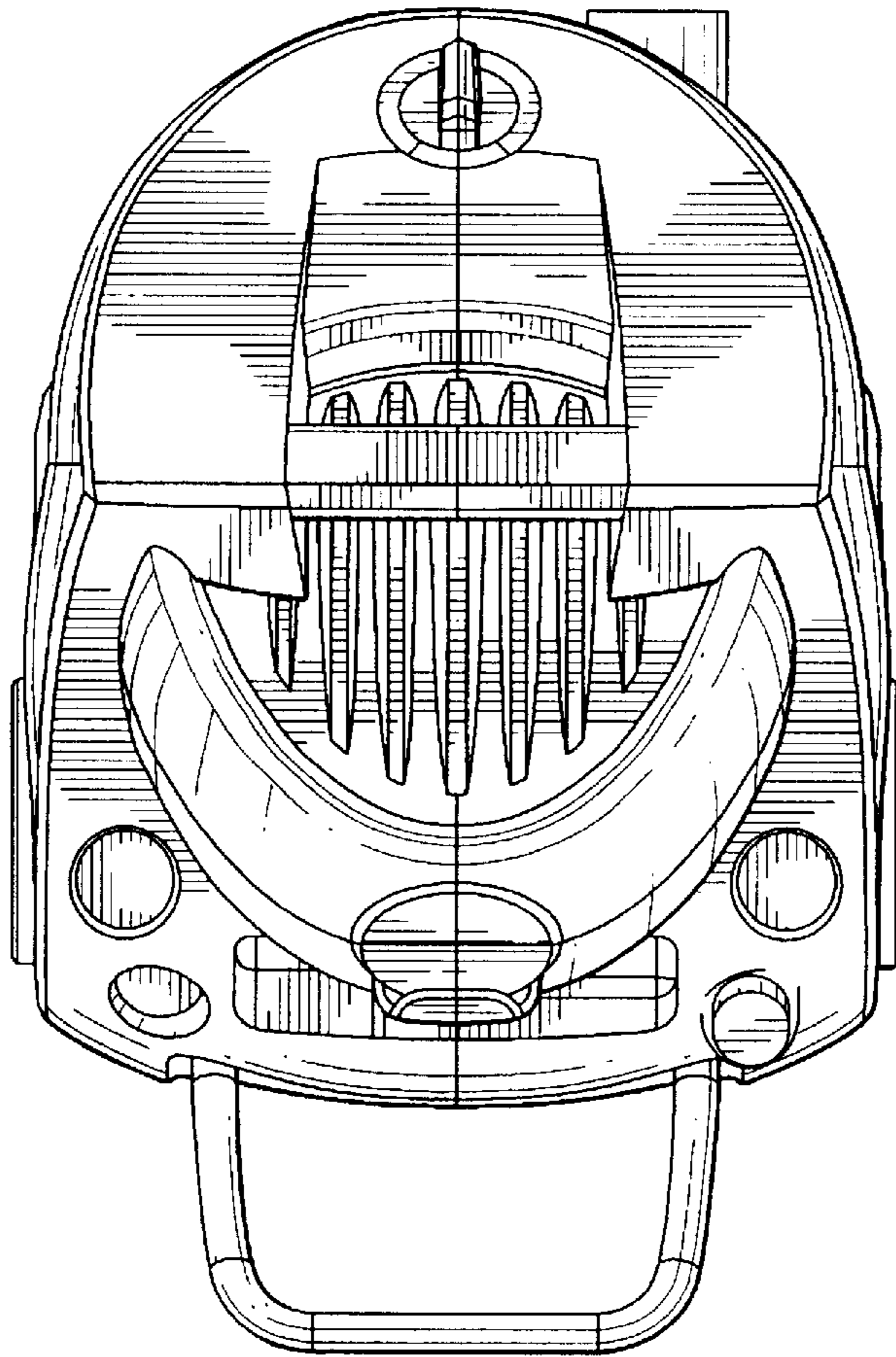


FIG. 6

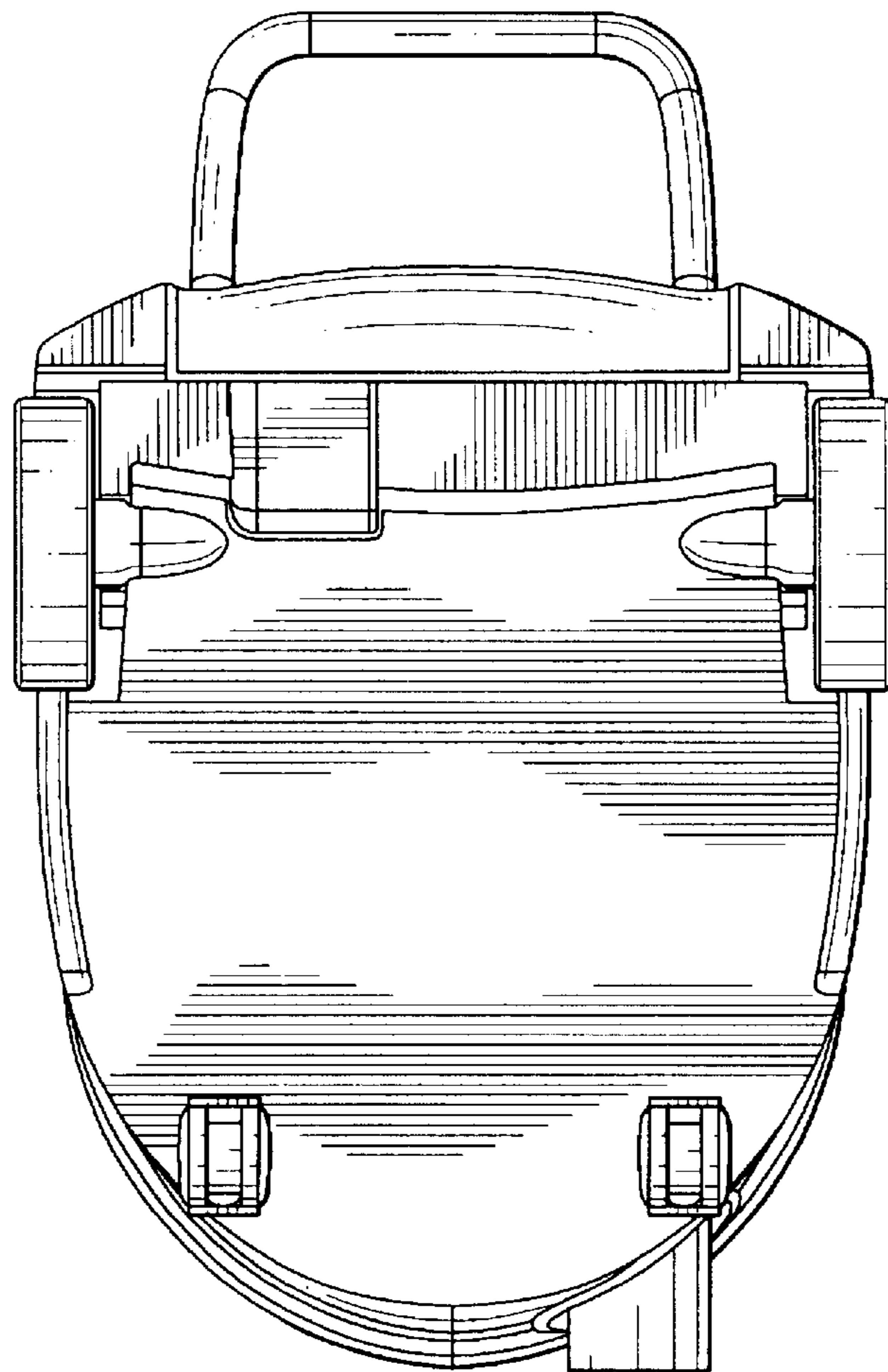


FIG. 7