



US00D542988S

(12) **United States Design Patent**
Dammkoehler et al.

(10) **Patent No.:** **US D542,988 S**
(45) **Date of Patent:** **** May 15, 2007**

(54) **CLEANING APPARATUS**

(75) Inventors: **Denis Dammkoehler**, Backnang (DE);
Christian Rummel, Pforzheim (DE)

(73) Assignee: **Alfred Kaercher GmbH & Co. KG**,
Winnenden (DE)

(**) Term: **14 Years**

(21) Appl. No.: **29/253,882**

(22) Filed: **Feb. 13, 2006**

(30) **Foreign Application Priority Data**

Aug. 18, 2005 (EM) 00388657

(51) **LOC (8) Cl.** **15-05**

(52) **U.S. Cl.** **D32/16**

(58) **Field of Classification Search** D32/1,
D32/15, 16, 18, 19, 20, 21, 22; 15/327.1,
15/328.6, 340.1, 340.2, 340.3, 340.4, 320-321,
15/353

See application file for complete search history.

(56) **References Cited**

U.S. PATENT DOCUMENTS

D202,170 S	*	9/1965	Little et al.	D32/16
4,803,753 A	*	2/1989	Palmer	15/320
D364,012 S	*	11/1995	Bothun et al.	D32/19
D369,446 S	*	4/1996	Smith	D32/19
D417,045 S	*	11/1999	Dziersk et al.	D32/16
6,427,285 B1	*	8/2002	Legatt et al.	15/320

7,055,201 B2	*	6/2006	Buchegger et al.	15/49.1
2002/0073494 A1	*	6/2002	Stuchlik	15/49.1
2005/0081319 A1	*	4/2005	Legatt	15/320
2006/0236494 A1	*	10/2006	Nelson et al.	15/320

OTHER PUBLICATIONS

Alfred Kaercher GmbH & Co. KG catalogue, "Programme 2003", cleaning apparatus BD 530 and cleaning apparatus BR/BD 750, 3 pages, 2003.

* cited by examiner

Primary Examiner—Louis S. Zarfaz

Assistant Examiner—Kathleen Sims

(74) *Attorney, Agent, or Firm*—Lipsitz & McAllister, LLC

(57) **CLAIM**

The ornamental design for a cleaning apparatus, as shown and described.

DESCRIPTION

FIG. 1 is a front elevational view of the cleaning apparatus showing our new design;

FIG. 2 is a top, front and left side perspective view of the design;

FIG. 3 is a left side elevational view of the design;

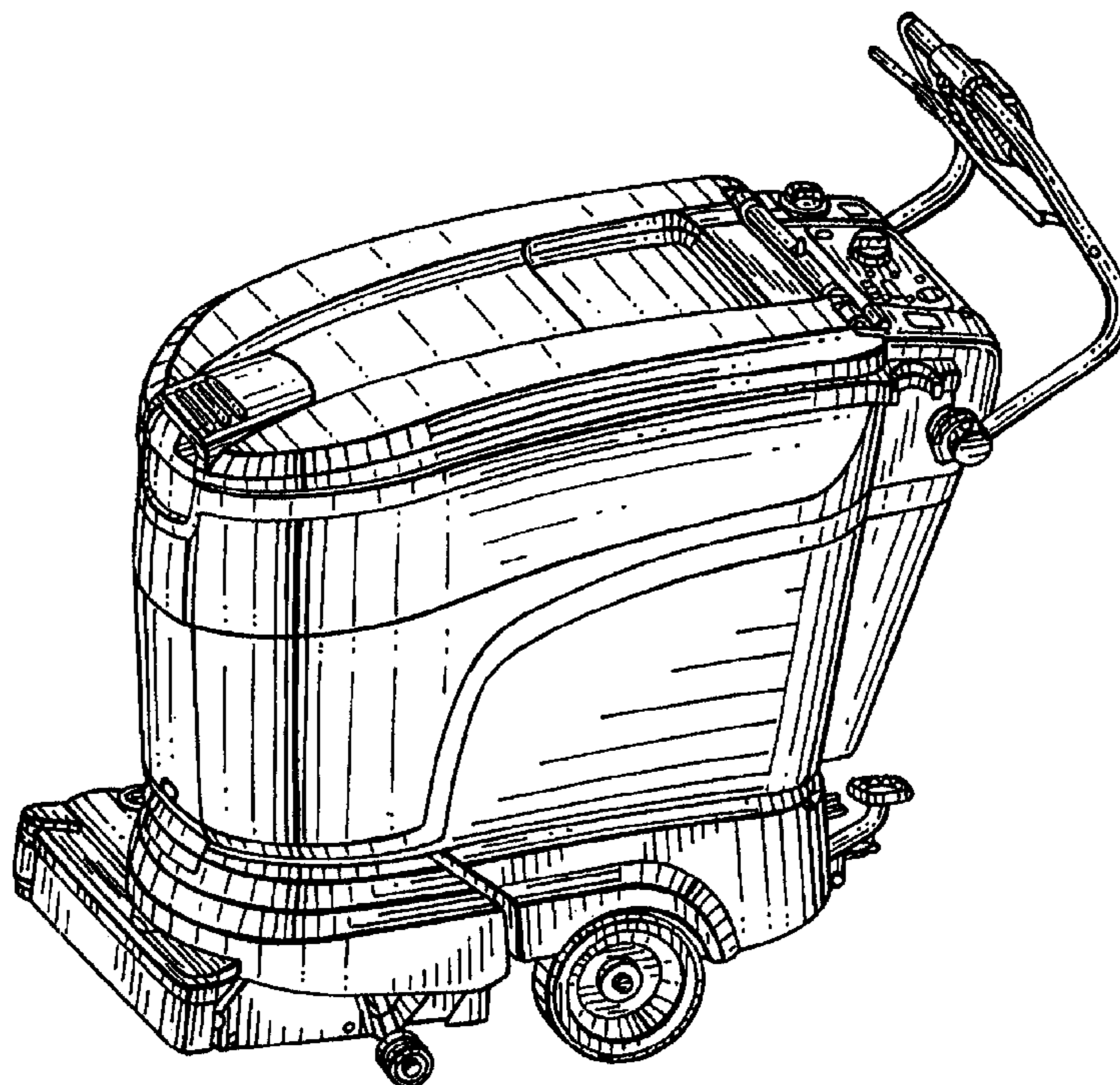
FIG. 4 is a top, front and right side perspective view of the design;

FIG. 5 is a right side elevational view of the design;

FIG. 6 is a rear elevational view of the design; and,

FIG. 7 is a top plan view of the design.

1 Claim, 7 Drawing Sheets



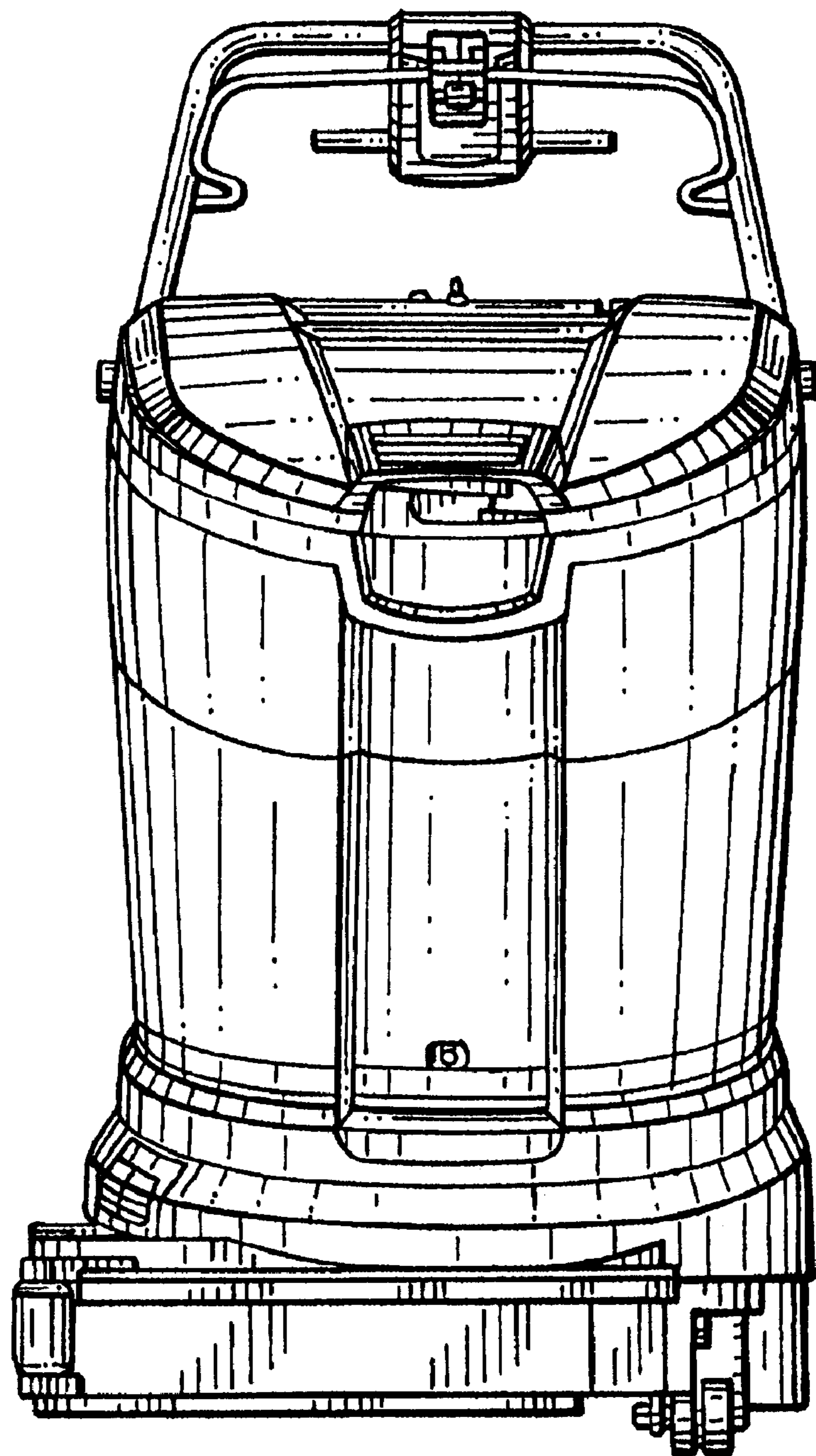


FIG. 1

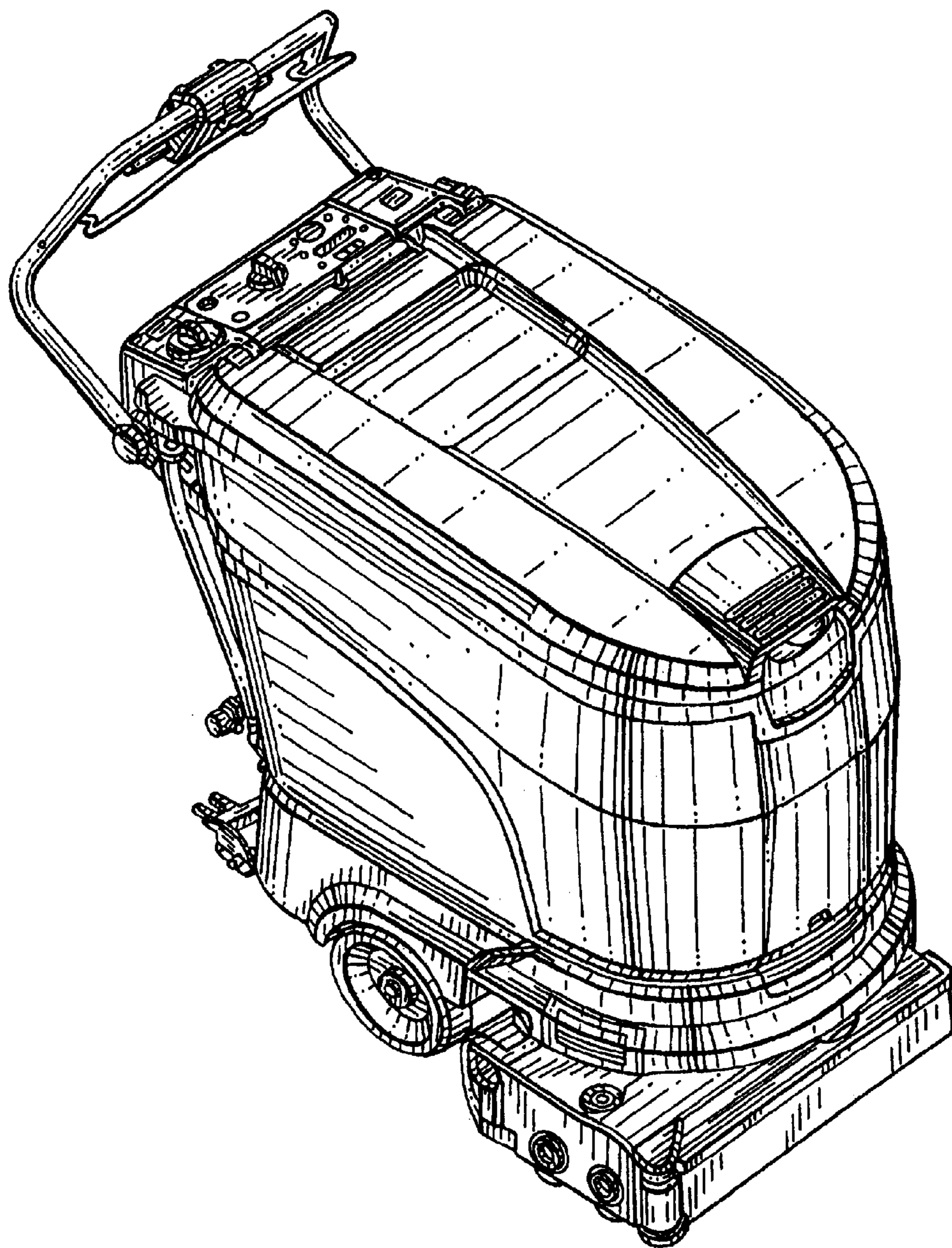


FIG.2

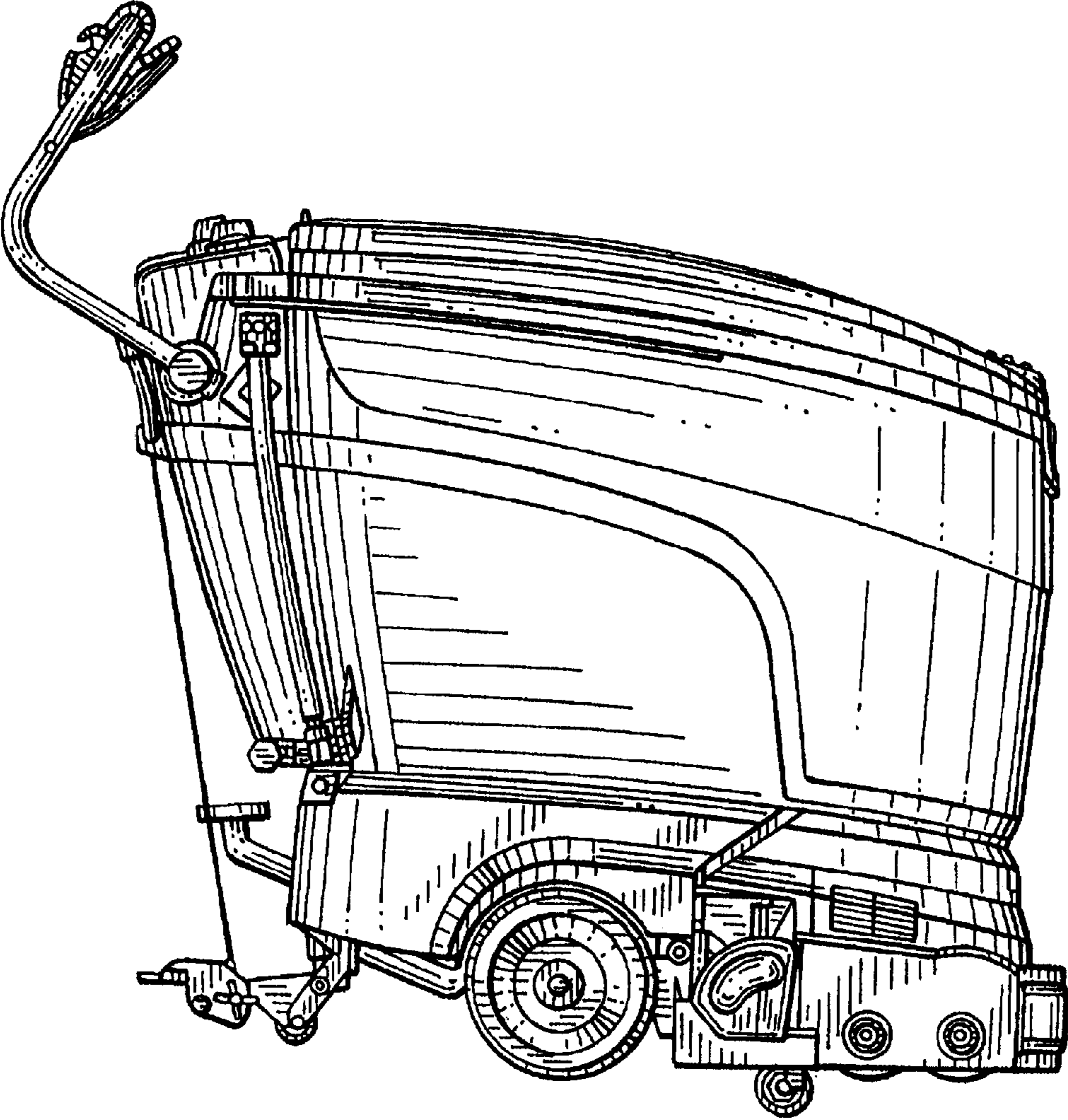


FIG.3

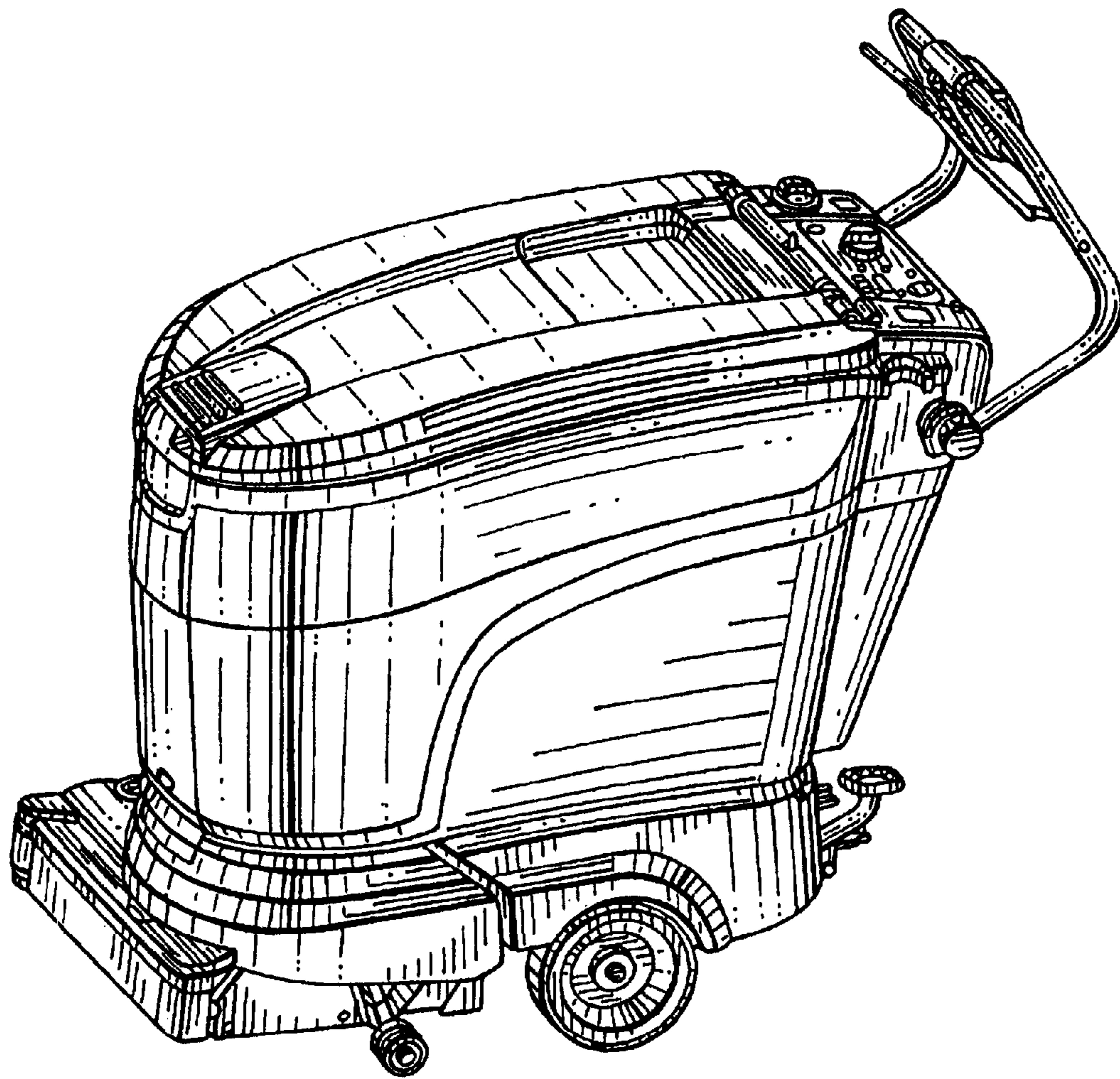


FIG.4

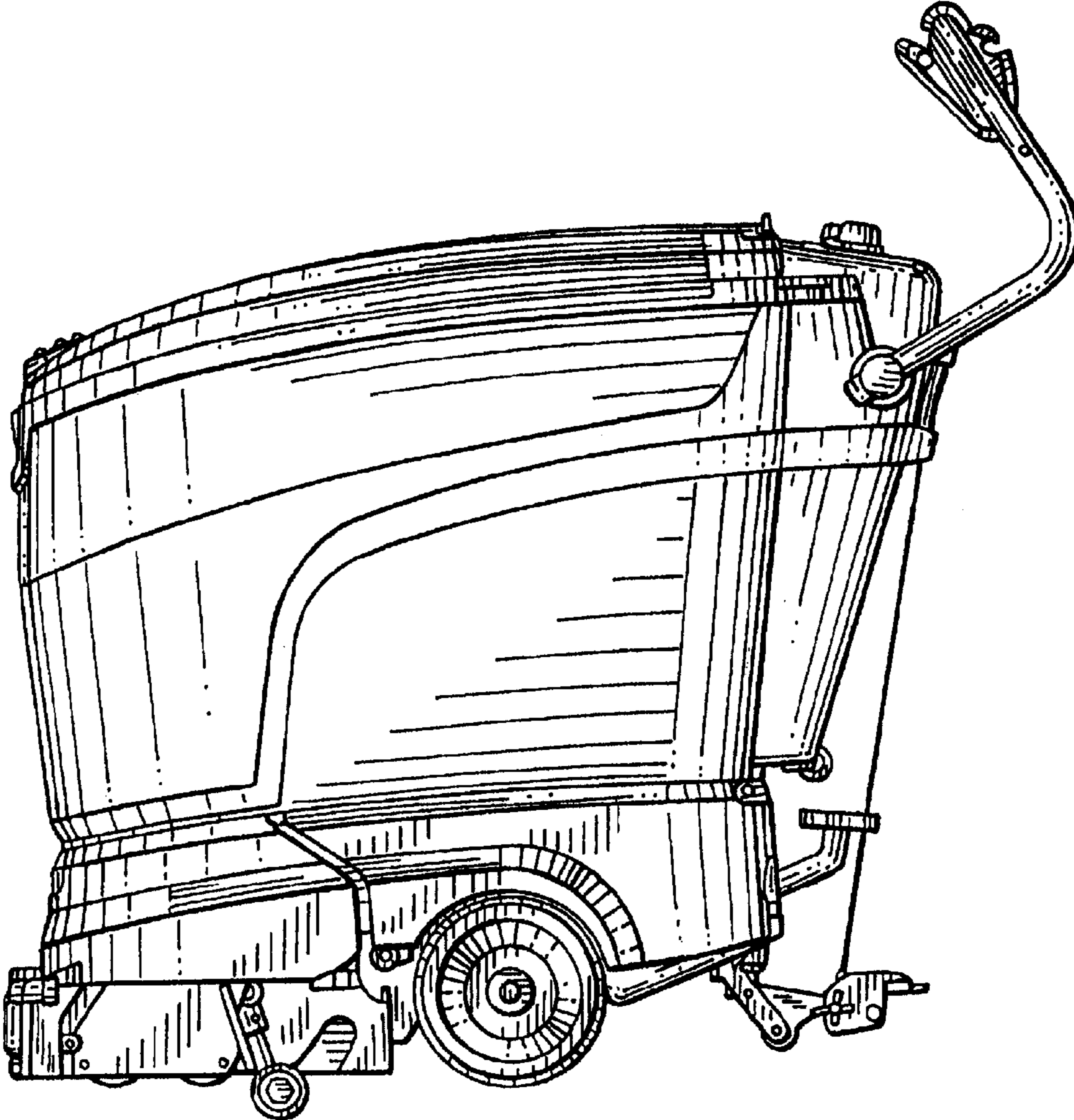


FIG.5

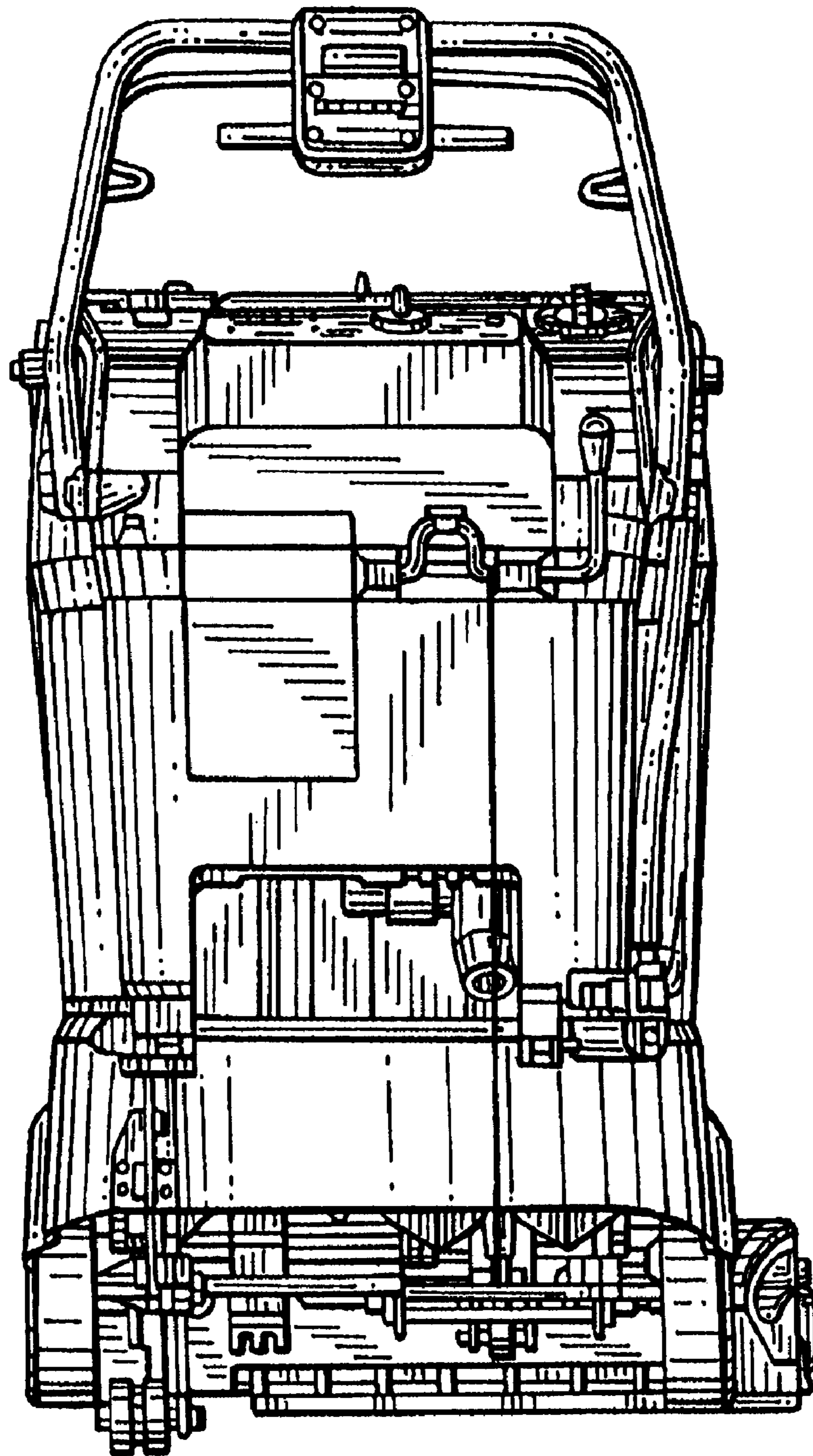


FIG. 6

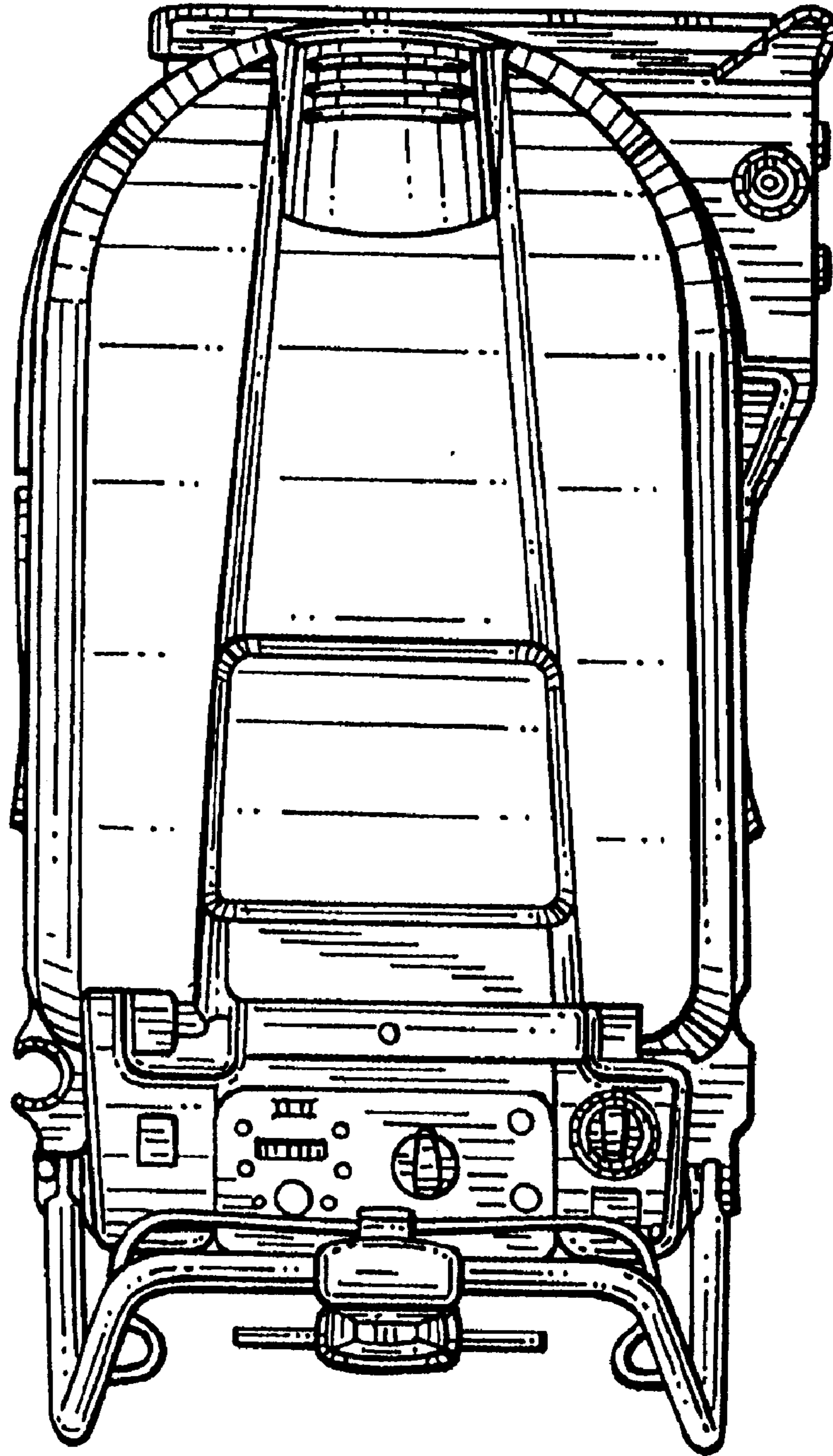


FIG. 7