



US00D542983S

(12) **United States Design Patent** (10) **Patent No.:** **US D542,983 S**
Italiano et al. (45) **Date of Patent:** **** May 15, 2007**

(54) **WESTERN-TYPE SADDLE PAD**

(76) Inventors: **Peter Italiano**, 3 Lily Ct., Yorktown Heights, NY (US) 10598; **Robert Italiano**, 230 Mallard Ct., Yorktown Heights, NY (US) 10598

(**) Term: **14 Years**

(21) Appl. No.: **29/233,567**

(22) Filed: **Jul. 5, 2005**

(51) **LOC (8) Cl.** **30-04**

(52) **U.S. Cl.** **D30/134**

(58) **Field of Classification Search** D30/134-35,
D30/144-45; 54/65, 66, 79.1-79.4, 44.1,
54/44.3, 44.5, 44.7; 264/222; 428/95, 116,
428/71; 442/370

See application file for complete search history.

(56) **References Cited**

U.S. PATENT DOCUMENTS

40,129	A	*	9/1863	Spencer	54/66
87,110	A	*	2/1869	Pond	54/65
103,276	A	*	5/1870	Allison	54/66
147,115	A	*	2/1874	Engelke	54/65
172,058	A	*	1/1876	Spencer	54/66
290,880	A	*	12/1883	Harriss	54/44.7
304,950	A	*	9/1884	Nave et al.	54/66
530,864	A	*	12/1894	Torrey	54/66
D31,409	S	*	8/1899	Padgitt	D30/144
3,323,287	A		6/1967	Hilmer	54/66
4,136,506	A		1/1979	Miller	54/66
4,800,709	A		1/1989	Le Tixerant	54/44
4,974,397	A		12/1990	Ricken	54/66
5,027,589	A	*	7/1991	Gleb et al.	54/66
5,038,551	A	*	8/1991	Farmer	54/66
5,363,631	A	*	11/1994	Garrison	54/66
5,575,139	A		11/1996	Green	54/66
6,378,278	B1	*	4/2002	Talbot	54/44.3
6,421,989	B1		7/2002	Leson	54/66
6,574,947	B2	*	6/2003	Landi et al.	54/65
6,589,467	B2	*	7/2003	Buitenwerf et al.	264/222
6,658,827	B2		12/2003	Brownlie	54/66
2002/0152730	A1	*	10/2002	Landi et al.	54/65

OTHER PUBLICATIONS

Skyline Equine, http://www.skylineequine.com/products/saddle_pads01.html (2003), "All purpose shaped fleece pad" (p. 1), "Dressage shaped cotton pad, fleece border and underlay" (p. 2).

Horse Tack Co, http://www.horsetackco.com/index.php/cPath/58_263 (Jun. 8, 2005), "Sheepskin", "HDR Fleece Wither Half Pad".

Horse Tack Co, <http://www.horsetackco.com/index.php/cPath/58> (Jun. 8, 2005), "Griffin All Purpose Pad", "Griffin Dressage Pad".

Horseworld Emporium, <http://www.horseworldemporium.com/web%20page17.html> (June 8, 2005), "Saddle Half Pad" (p. 1), "Full Saddle Pad" (p. 1), "Fleeced Edge Pad" (p. 2).

(Continued)

Primary Examiner—M. H. Tung

Assistant Examiner—Susan Moon Lee

(74) *Attorney, Agent, or Firm*—Morgan & Finnegan LLP

(57) **CLAIM**

I claim the ornamental design for a western-type saddle pad, as shown and described.

DESCRIPTION

FIG. 1 is a perspective view of a western-type saddle pad embodying the claimed design;

FIG. 2 is a top view of the embodiment shown in FIG. 1;

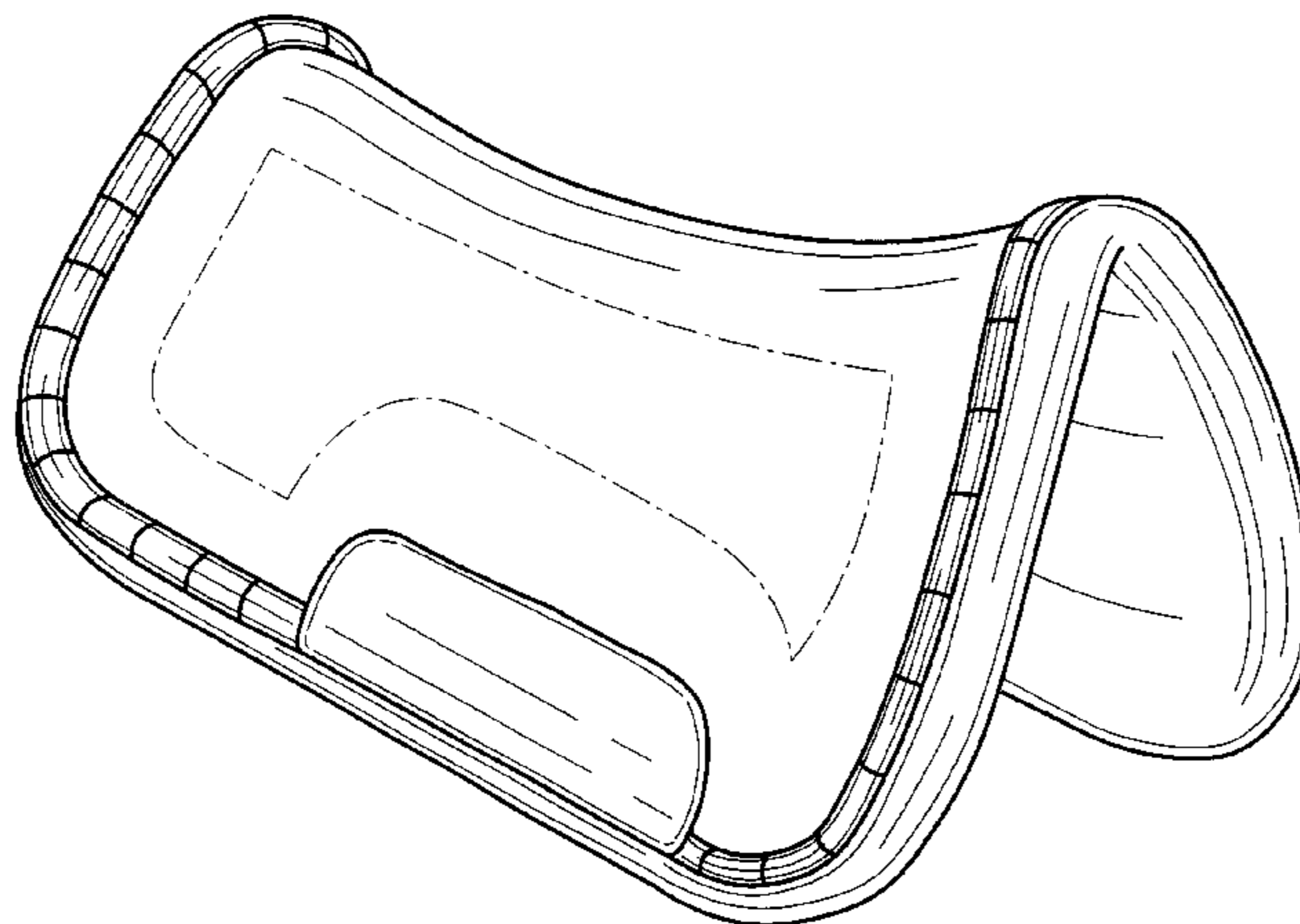
FIG. 3 is a left side elevation view of the embodiment shown in FIG. 1, the right side elevation view being a mirror image thereof;

FIG. 4 is a front elevation view of the embodiment shown in FIG. 1; and,

FIG. 5 is a back elevation view of the embodiment shown in FIG. 1.

The broken lines showing on the saddle pad in the designs illustrated in FIGS. 1-5 are for illustrative purposes only and form no part of the claimed design.

1 Claim, 3 Drawing Sheets



OTHER PUBLICATIONS

Toklat Originals, http://www.toklat.com/pwp_cool-back.html (Jul. 5, 2005), "Cool Back Barrel Race Pads" (page 1-2), "Cool Back Pads with Trim" (p. 2).

Western Tack Accessories, http://www.unicornwoman.com/cat/uw_catwestern_accessories.htm (Jul. 5, 2005), "Corona Saddle Blanket".

Buford Saddle and Tack Co., http://www.bufordsaddle.com/blankets/pads_by_others.htm (Jul. 5, 2005), "Washable Corona Pad" (pp. 5-6), "Corona Show Pad Barrel Racer Style" (p. 6).

Arcola Feed Show Tack & Clothing, http://arcolafeed.com/English_Saddle_pads.htm, (Jul. 5, 2005), "Ovation Double Fleece Pad", "Ovation Corona Plus Pad", "Ovation Corona Pad".

* cited by examiner

FIG. 1

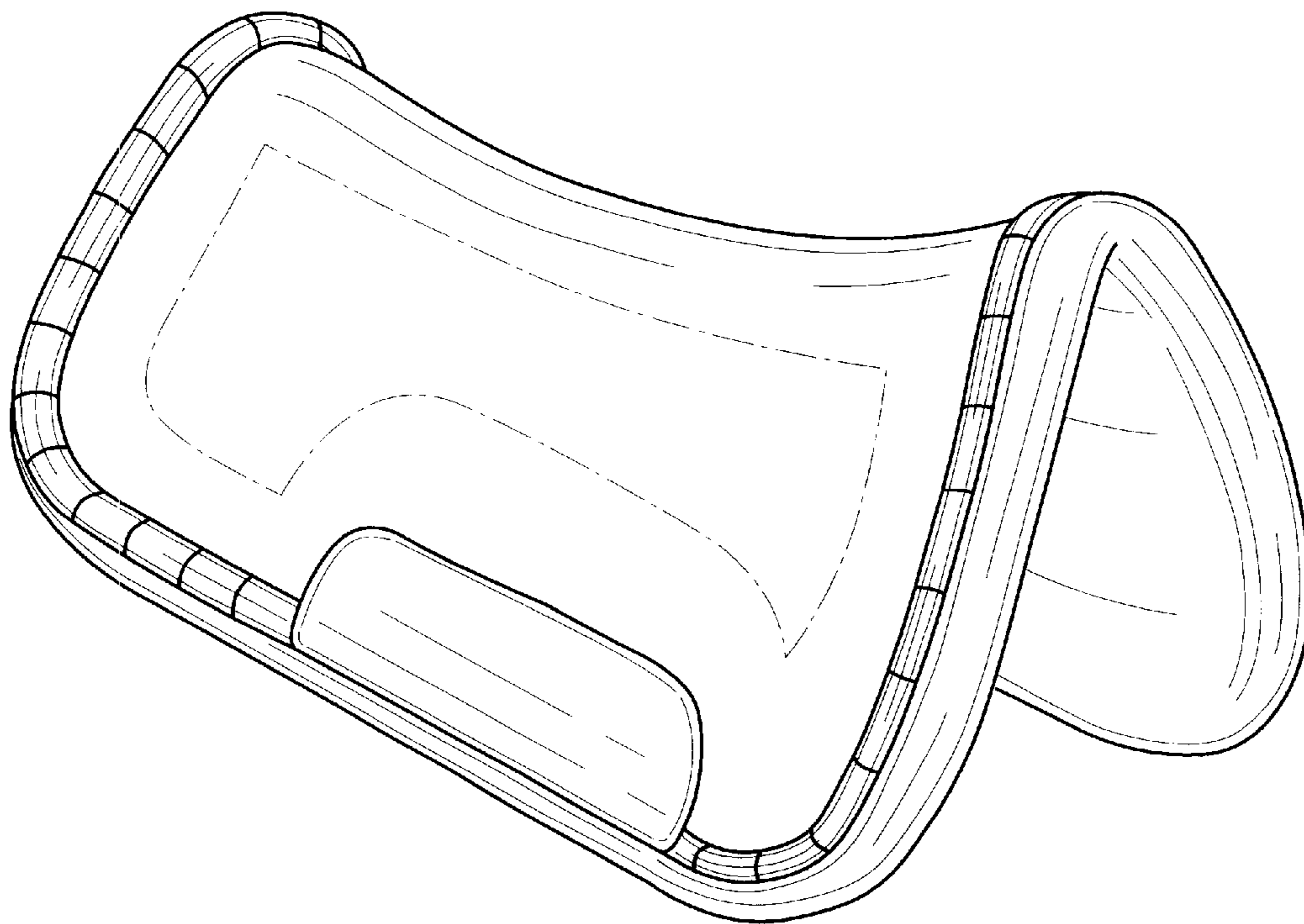


FIG. 2

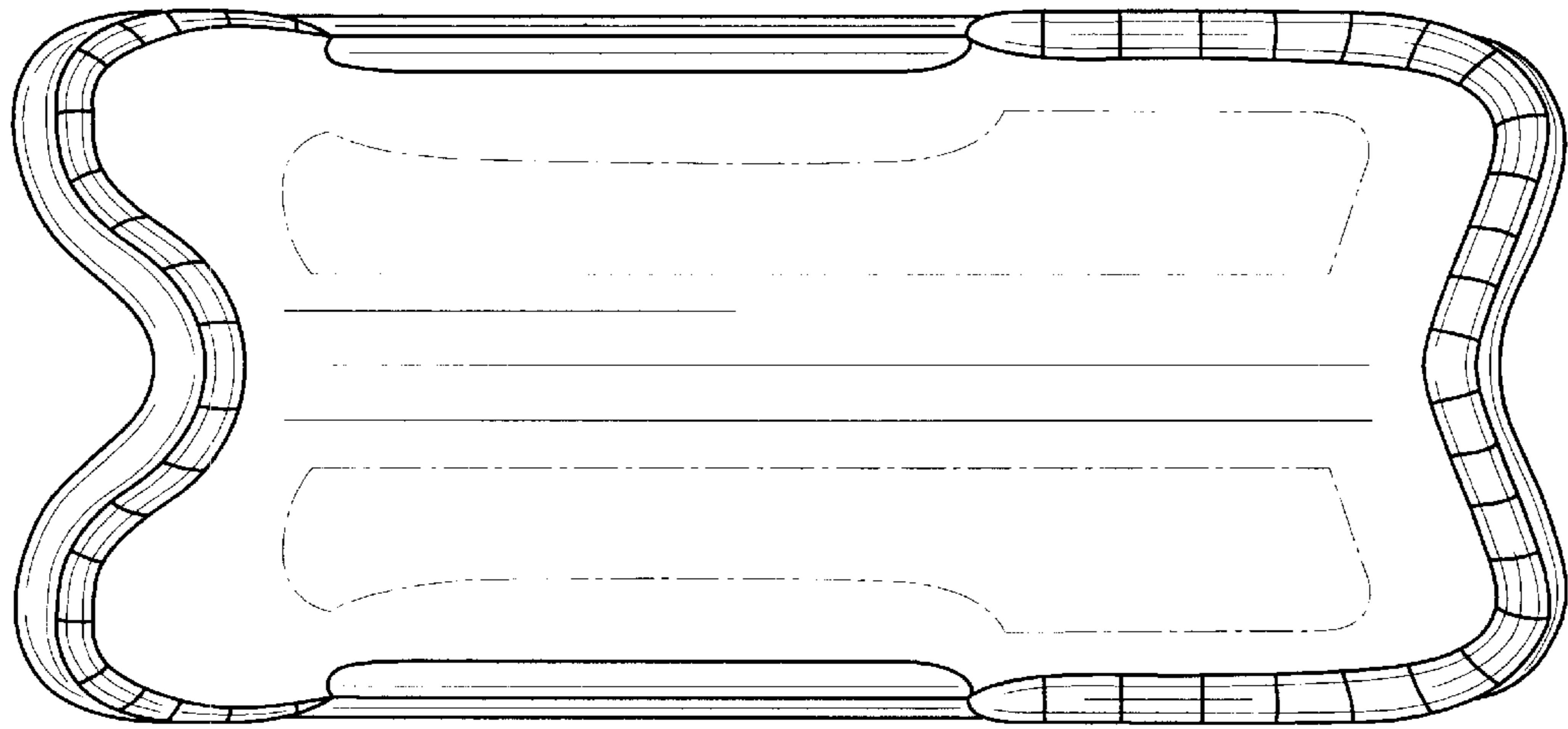


FIG. 3

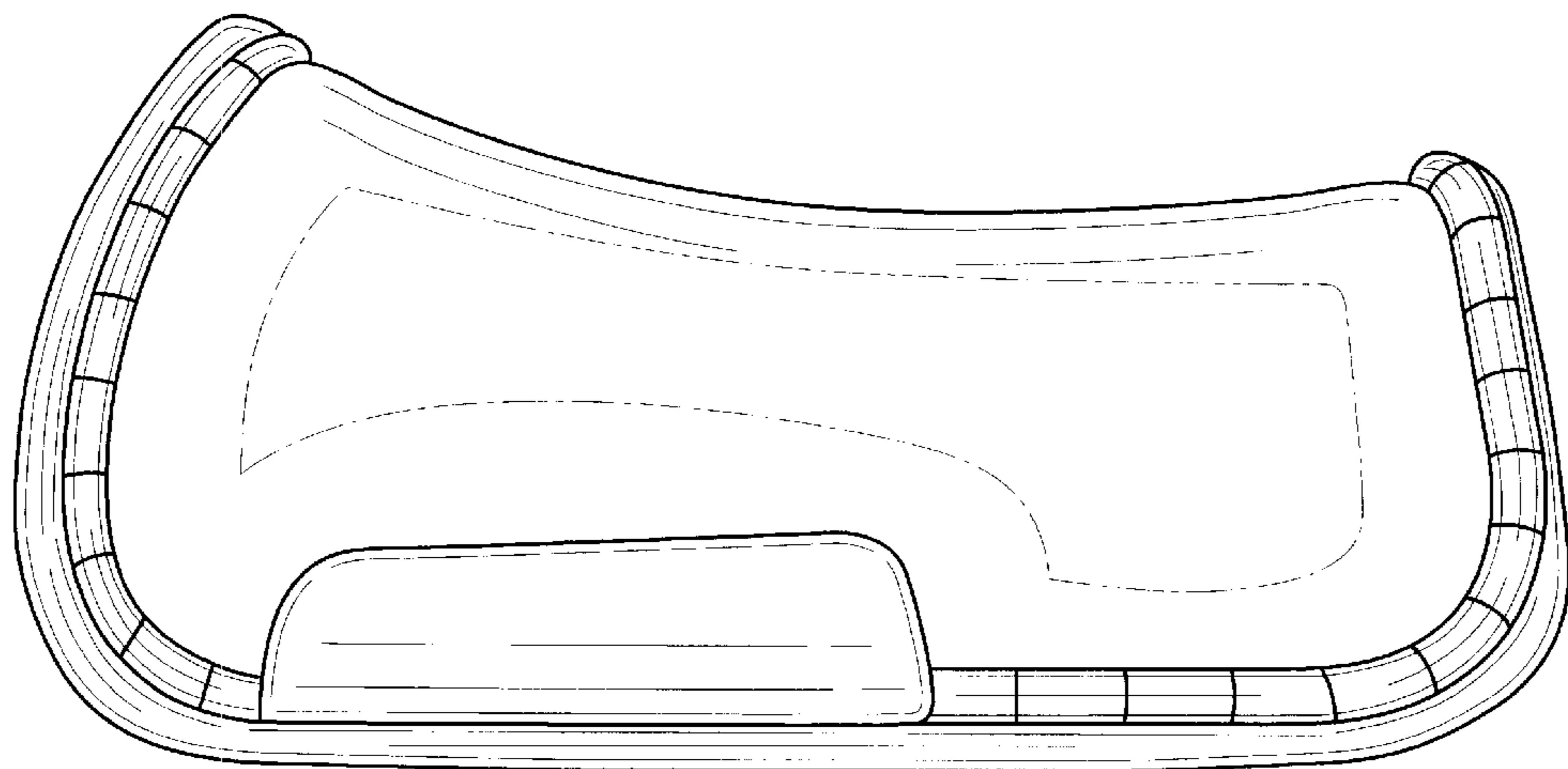


FIG. 4

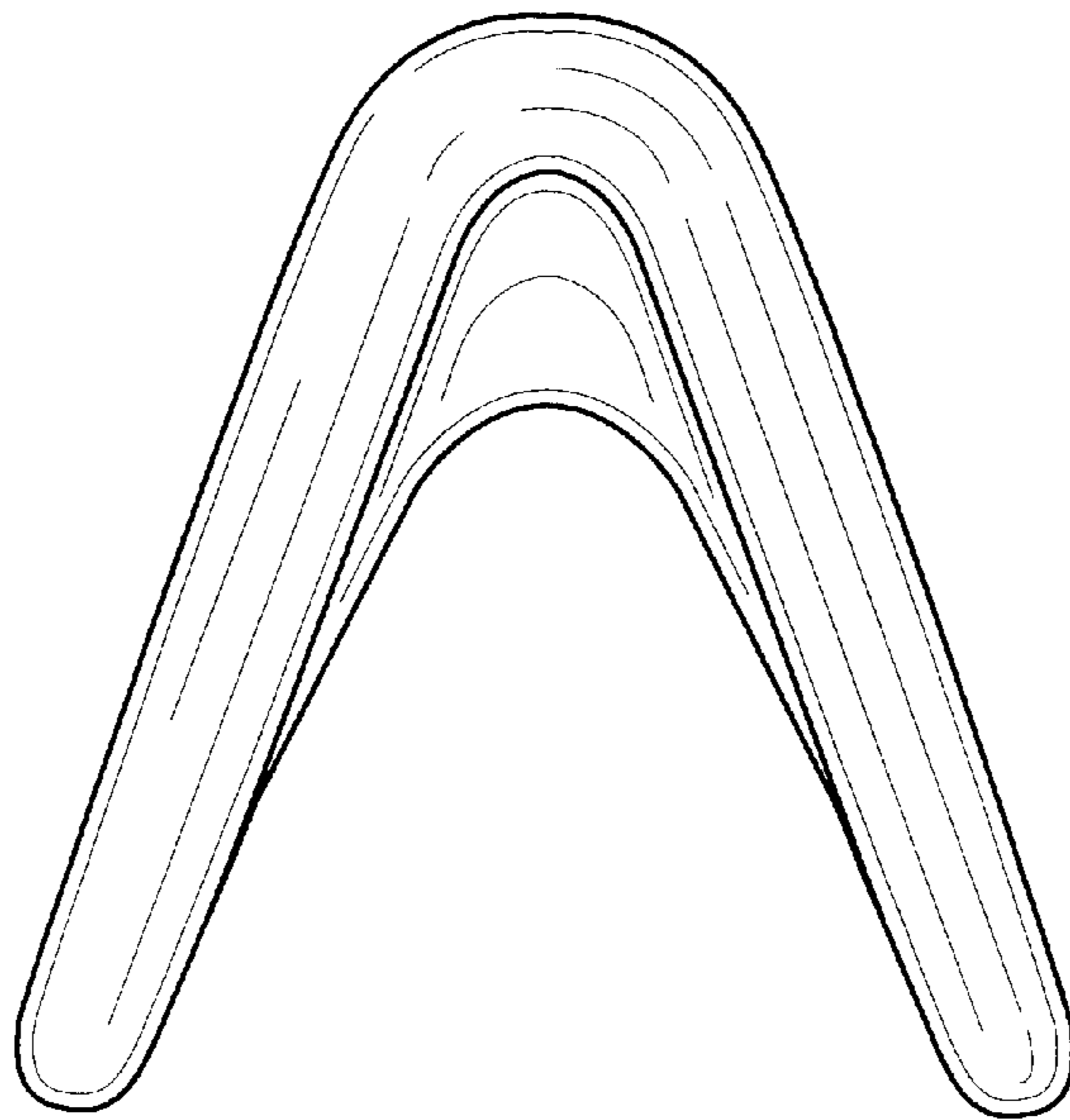


FIG. 5

