



US00D542981S

(12) **United States Design Patent** (10) **Patent No.:** **US D542,981 S**
Cole (45) **Date of Patent:** **** May 15, 2007**

(54) **POULTRY FEEDER**

FOREIGN PATENT DOCUMENTS

(75) Inventor: **Theodore J. Cole**, Milford, IN (US)
(73) Assignee: **CTB IP, Inc.**, Wilmington, DE (US)
(**) Term: **14 Years**

DE	10164122	12/2001
DE	10164100	4/2003
TW	226518	7/1994
TW	342596	10/1998
TW	343434	10/1998
WO	WO 0106846	2/2001

(21) Appl. No.: **29/235,333**

OTHER PUBLICATIONS

(22) Filed: **Jul. 29, 2005**

(51) **LOC (8) Cl.** **30-03**
(52) **U.S. Cl.** **D30/124**
(58) **Field of Classification Search** 119/52.4,
119/53, 51.01, 61.3, 56.1, 58, 59, 70, 57.4,
119/55, 57.1, 57.2, 54, 57.92, 72, 57.7, 52.1,
119/74; D30/121, 122, 126-29, 132-33,
D30/124, 199

One (1) page Big Dutchman "Tru Pan" Flyer, no date.
Two (2) page Big Dutchman "FLUXX Broiler Feeding System" Flyer, no date.
Six (6) page Big Dutchman "AugerMatic & TruPan" Brochure—Aug. 2001.
Two (2) page Chore-Time "Model ATF™ Turkey Feeder", no date.

See application file for complete search history.

Primary Examiner—M. H. Tung
Assistant Examiner—Susan Moon Lee
(74) *Attorney, Agent, or Firm*—Trexler, Bushnell, Giangiorgi, Blackstone & Marr, Ltd.

(56) **References Cited**

(57) **CLAIM**

U.S. PATENT DOCUMENTS

364,557 A	6/1887	Walín
570,569 A	11/1896	Smith
580,054 A	4/1897	Merriman
905,393 A	12/1908	Webb
984,980 A	2/1911	Taylor
1,069,943 A	8/1913	Haffey
1,131,491 A	3/1915	Drake
D47,285 S	5/1915	Eberling
1,154,073 A	9/1915	Stocking
1,565,117 A	12/1925	Stabbert
1,699,501 A	1/1929	McCartney
1,862,349 A	6/1932	Perry
2,457,432 A	12/1948	Ballard
2,681,639 A	6/1954	Littlefield
2,709,417 A	5/1955	Brembeck
2,789,534 A	4/1957	Landgraf
2,804,844 A	9/1957	Gigliotti
2,875,729 A	3/1959	Gibson
2,884,899 A	5/1959	Jackes et al.

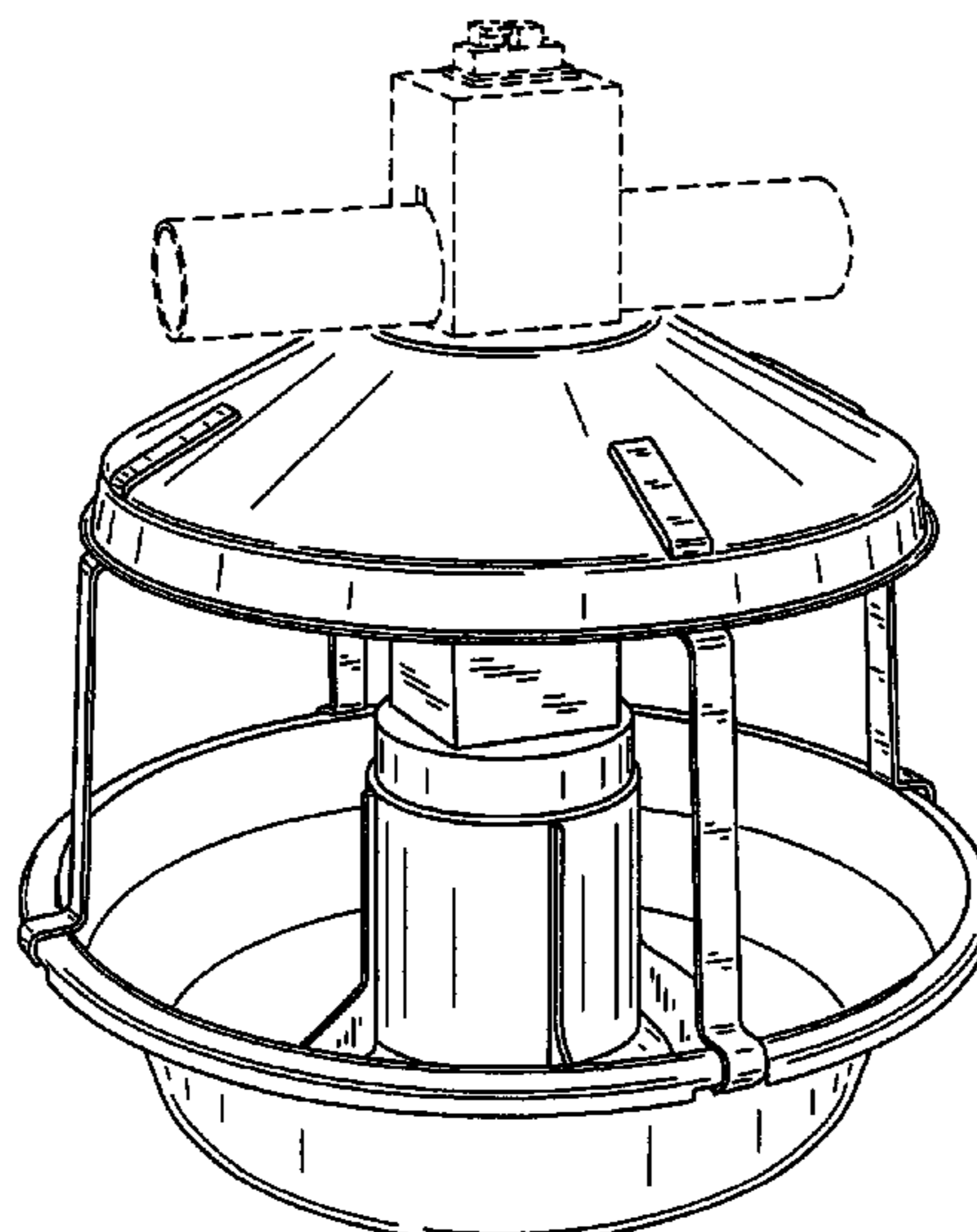
I claim the ornamental design for poultry feeder, as shown and described.

DESCRIPTION

FIG. 1 is a perspective view of the poultry feeder according to my design;
FIG. 2 is a front plan view of the poultry feeder according to my design;
FIG. 3 is a side plan view of the poultry feeder according to my design;
FIG. 4 is a top plan view of the poultry feeder according to my design; and,
FIG. 5 is a bottom plan view of the poultry feeder according to my design.
The broken line portions in FIGS. 1-4 are for illustrative purposes only and form no part of the claimed design.

(Continued)

1 Claim, 5 Drawing Sheets



US D542,981 S

U.S. PATENT DOCUMENTS					
			4,552,095 A	11/1985	Segalla
			4,800,844 A	1/1989	Van Gilst
			4,834,026 A	5/1989	Brembeck et al.
2,933,064 A	4/1960	Geerlings	4,995,343 A	2/1991	Cole et al.
2,941,506 A	6/1960	Fulton	5,007,380 A	4/1991	Badia et al.
D188,655 S	8/1960	Blough	5,092,274 A	3/1992	Cole et al.
3,085,552 A	4/1963	Pilch	5,113,797 A	5/1992	van Daele
3,102,511 A	9/1963	Atcheson	5,199,382 A *	4/1993	Adriano 119/57.4
3,105,463 A	10/1963	Pilch	D341,449 S	11/1993	Conner
RE25,589 E	6/1964	Hostetter et al.	5,275,131 A	1/1994	Brake et al.
3,203,397 A	8/1965	Henry	5,311,839 A	5/1994	Pollock et al.
3,211,131 A	10/1965	Klein	5,406,907 A	4/1995	Hart
3,230,933 A	1/1966	Myers et al.	5,497,730 A	3/1996	van Daele et al.
3,330,255 A	7/1967	Scott et al.	5,564,363 A	10/1996	Soffici
3,388,690 A	6/1968	Hostetter	5,718,187 A	2/1998	Pollock et al.
3,389,689 A	6/1968	Van Huis	5,762,021 A *	6/1998	Horwood et al. 119/57.4
3,408,988 A	11/1968	Lee	5,765,503 A	6/1998	van Daele
3,476,087 A	11/1969	Scott et al.	5,794,562 A	8/1998	Hart
3,485,215 A	12/1969	Scott et al.	5,884,581 A	3/1999	Vandaele
3,490,419 A	1/1970	Van Huis	D407,949 S	4/1999	Henry
3,511,215 A	5/1970	Meyers	5,941,193 A	8/1999	Cole
3,547,082 A	12/1970	Blessin et al.	D415,391 S	10/1999	Henry
3,566,843 A	3/1971	Van Huis	6,050,220 A	4/2000	Kimmel et al.
3,585,970 A	6/1971	Scott et al.	D425,759 S	5/2000	Henry
3,628,505 A	12/1971	Myers	D426,682 S	6/2000	Kreger et al.
3,648,661 A	3/1972	Moore	6,170,435 B1	1/2001	Momont et al.
3,675,627 A	7/1972	Myers	6,173,676 B1	1/2001	Cole
3,742,913 A	7/1973	Crippen	6,314,909 B1	11/2001	Horwood
3,807,359 A	4/1974	Hostetter	6,349,672 B1	2/2002	Daffi
3,811,412 A	5/1974	Murto et al.	D457,777 S	5/2002	Bradley
3,908,601 A	9/1975	Geary	6,470,826 B2	10/2002	Thuline
3,911,868 A	10/1975	Brembeck	D473,418 S	4/2003	Burton et al.
D240,355 S	6/1976	Chadbourne	D473,756 S	4/2003	Cautereels
3,971,340 A	7/1976	Allen	6,655,317 B1 *	12/2003	Stuedler et al. 119/53
4,003,339 A	1/1977	Hostetler	6,779,488 B2	8/2004	Corti et al.
4,070,990 A	1/1978	Swartzendruber			
4,348,988 A	9/1982	Lawson			
4,476,811 A	10/1984	Swartzendruber			
4,527,513 A	7/1985	Hart et al.			

* cited by examiner

FIG. 1

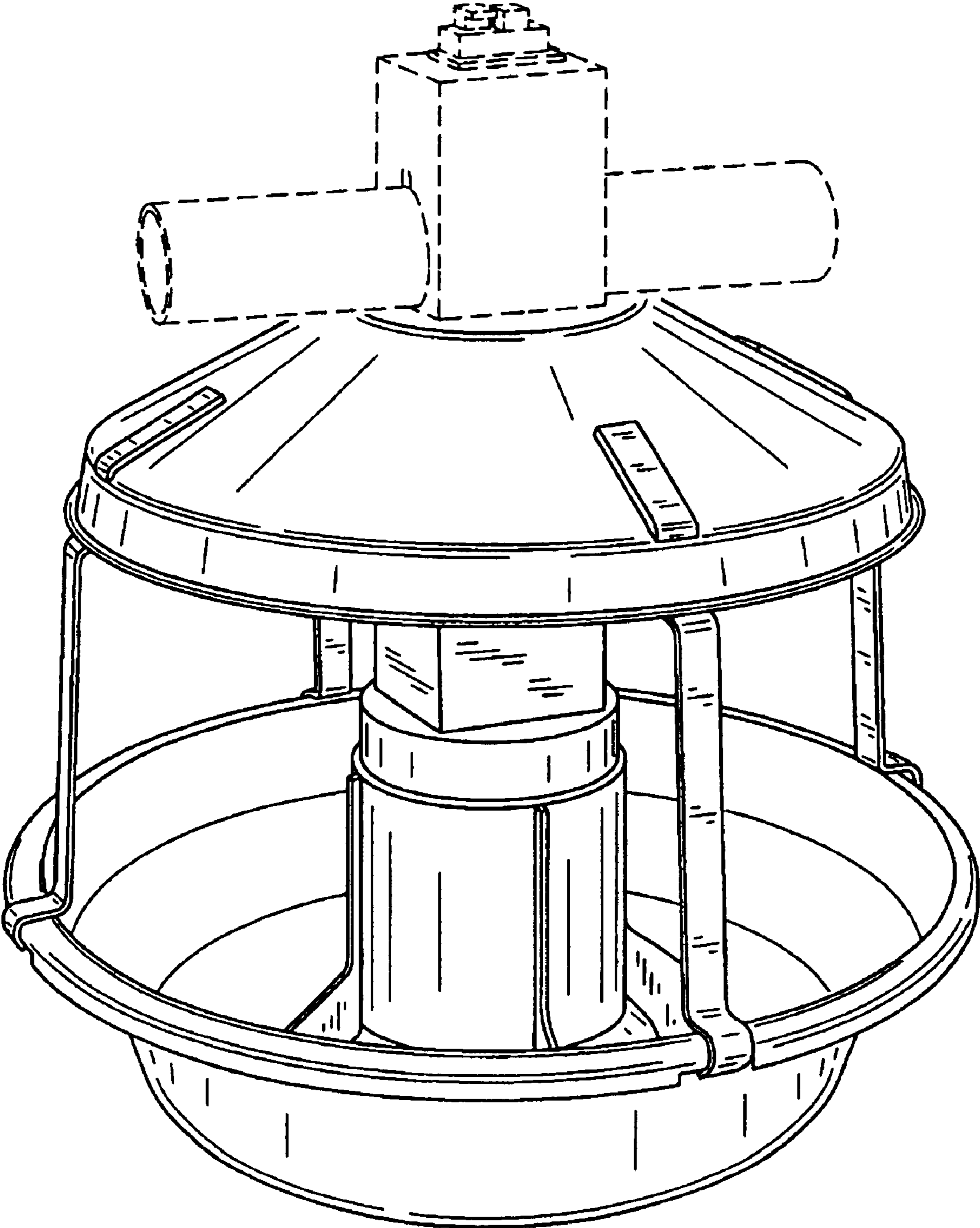


FIG. 2

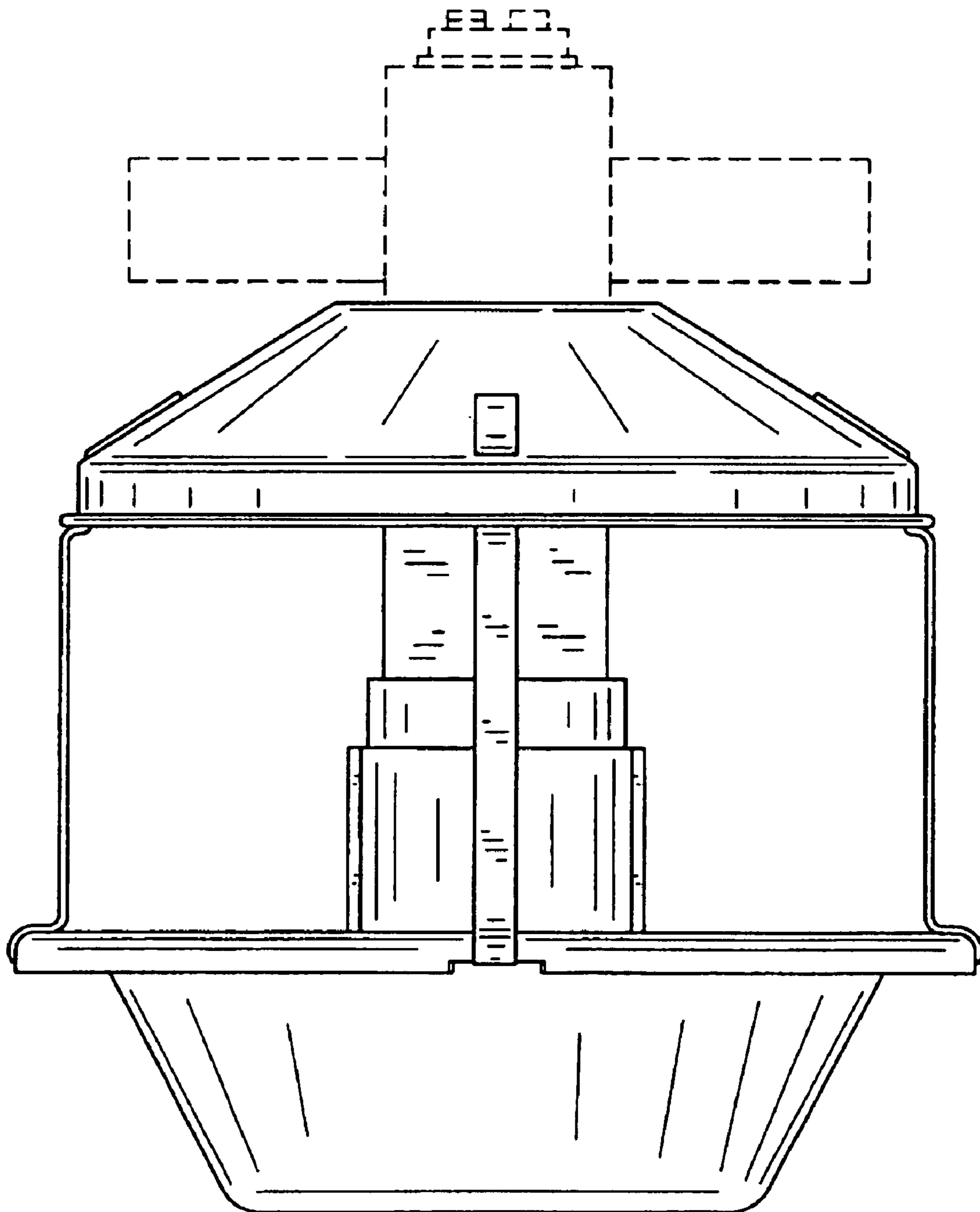


FIG. 3

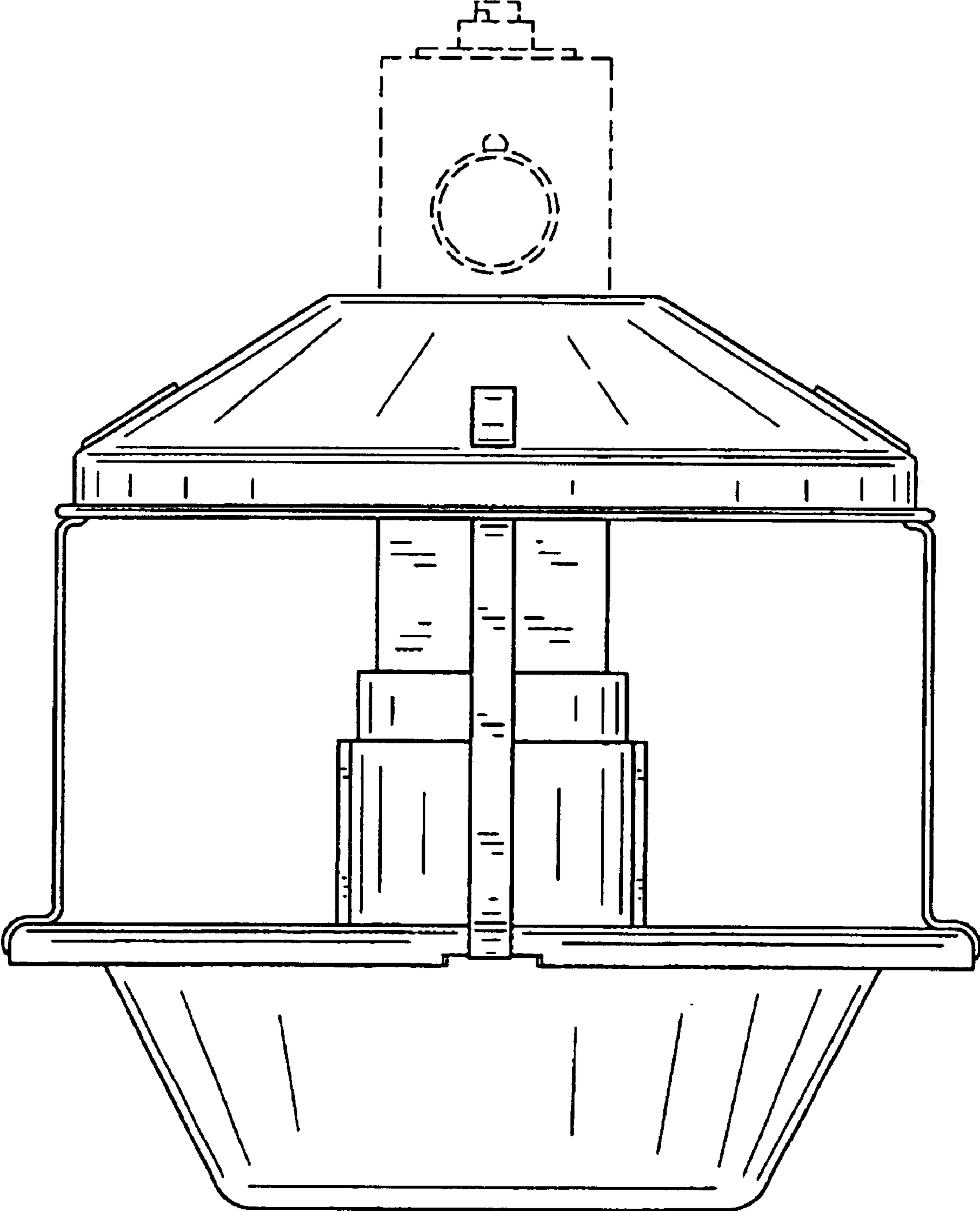


FIG. 4

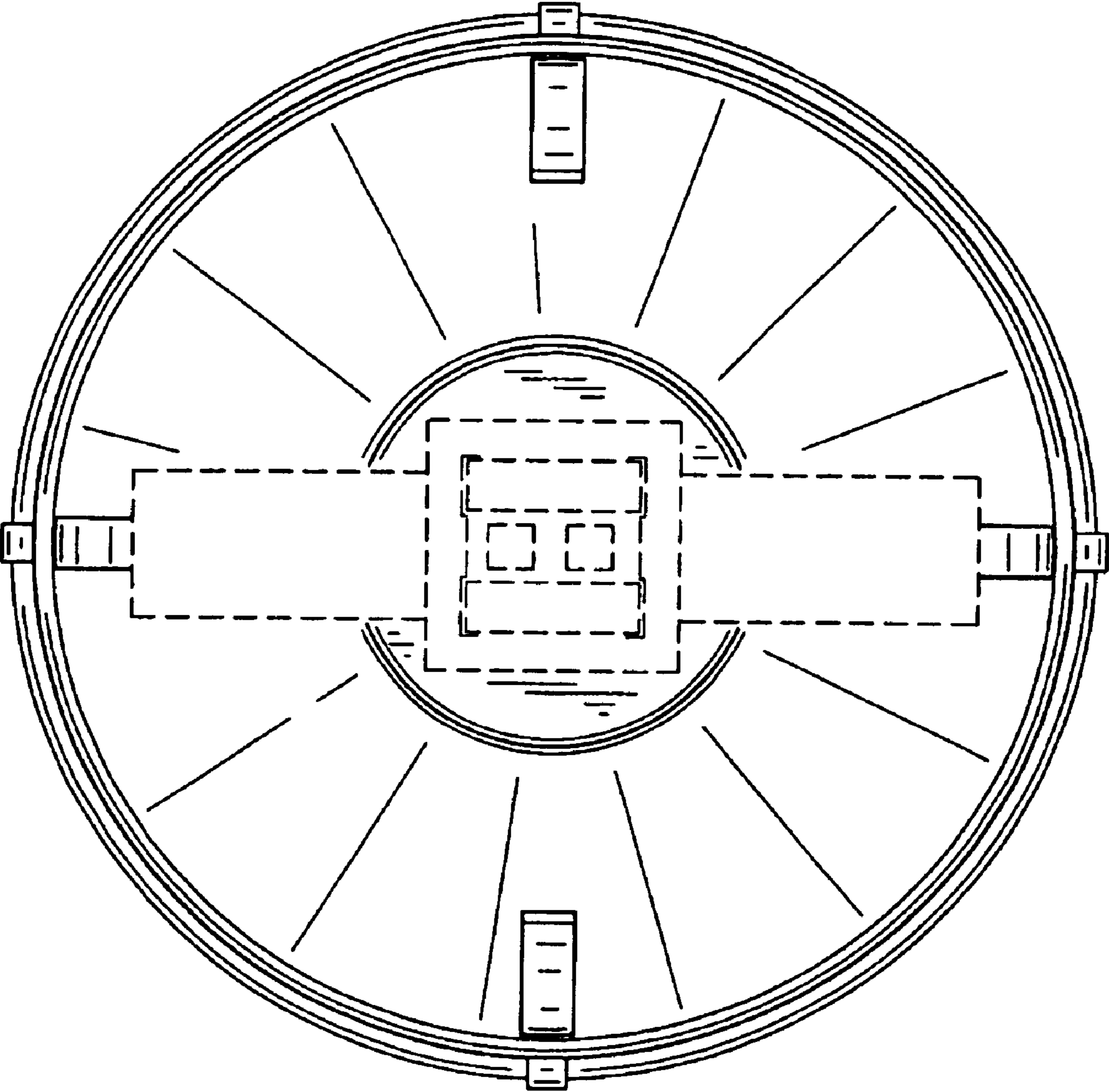


FIG. 5

