



US00D542979S

(12) **United States Design Patent**
Himmele

(10) **Patent No.:** **US D542,979 S**

(45) **Date of Patent:** **** May 15, 2007**

(54) **HELMET**

(76) **Inventor:** **Tristram Himmele**, 614 1st Ave South,
Lake Worth, FL (US) 33460

(**) **Term:** **14 Years**

(21) **Appl. No.:** **29/258,719**

(22) **Filed:** **Apr. 26, 2006**

(51) **LOC (8) Cl.** **29-02**

(52) **U.S. Cl.** **D29/103**

(58) **Field of Classification Search** D29/102-109,
D29/111-112, 122; 2/5, 6.1-6.3, 6.5-6.8,
2/9, 410-415, 421-425, 427-428, 435, 468,
2/205-206, 172-173, 209, 209.13; 359/409,
359/480, 815; 345/8; 351/158; 381/376

See application file for complete search history.

(56) **References Cited**

U.S. PATENT DOCUMENTS

D137,337 S *	2/1944	Gainsborg et al.	D29/103
2,649,019 A	8/1953	Hartline	88/36
2,986,969 A	6/1961	Muncheryan	88/41
3,597,041 A	8/1971	Frantz	350/72
3,741,634 A	6/1973	Stoltle	351/57
4,077,703 A	3/1978	Pablo	359/480
4,810,057 A	3/1989	Dunkley	350/139
4,877,318 A	10/1989	Miles et al.	350/569
4,953,766 A	9/1990	Cruickshank	224/181
4,953,963 A *	9/1990	Miller	359/409
5,023,706 A	6/1991	Sandberg	359/408
5,179,735 A	1/1993	Thomanek	359/815
D344,160 S *	2/1994	Boza	D29/107
D360,058 S *	7/1995	Reede	D29/103
5,535,053 A *	7/1996	Baril et al.	359/409
5,608,808 A	3/1997	da Silva	351/123
5,634,201 A	5/1997	Mooring	455/90
D386,298 S	11/1997	Hancock	D3/218
5,715,323 A	2/1998	Walker	351/123
5,724,119 A	3/1998	Leight	351/158
5,767,820 A	6/1998	Bassett et al.	345/8
5,786,932 A	7/1998	Pniel	359/409
5,828,437 A	10/1998	Hubert-Hubert et al.	351/44

6,028,627 A	2/2000	Helmsderfer	348/157
6,046,712 A	4/2000	Beller et al.	345/8
6,115,846 A	9/2000	Truesdale	2/209.13
6,160,666 A	12/2000	Rallison et al.	359/630
6,172,808 B1	1/2001	Foreman et al.	359/481
6,247,205 B1	6/2001	Damadian	24/3.12
6,305,026 B1	10/2001	Mo	2/209.13
6,462,894 B1 *	10/2002	Moody	359/815
D473,975 S *	4/2003	Batts	D29/103
6,560,029 B1 *	5/2003	Dobbie et al.	359/631
6,614,603 B2	9/2003	Himmele	359/815
6,662,370 B1 *	12/2003	Buchanan, Jr.	2/6.2
7,031,068 B2	4/2006	Himmele	359/630
D524,990 S *	7/2006	Steinhobel	D29/103
7,091,930 B2 *	8/2006	Ostromeck et al.	345/8
2005/0111097 A1	5/2005	Iannarelli	359/409
2006/0143764 A1 *	7/2006	Reed et al.	2/6.2

OTHER PUBLICATIONS

- Co-pending U.S. Appl. No. 29/243,450.
- Co-pending U.S. Appl. No. 29/243,838.
- Co-pending U.S. Appl. No. 29/258,718.
- Co-pending U.S. Appl. No. 29/259,371.
- Co-pending U.S. Appl. No. 29/259,402.
- Co-pending U.S. Appl. No. 11/351,014.
- Co-pending U.S. Appl. No. 11/350,600.

* cited by examiner

Primary Examiner—Ruth McInroy
(74) *Attorney, Agent, or Firm*—Clifford Kraft

(57) **CLAIM**

The ornamental design for a helmet, as shown and described.

DESCRIPTION

- FIG. 1 is a perspective view of the helmet.
- FIG. 2 is a front view thereof.
- FIG. 3 is a top view thereof.
- FIG. 4 is a side view thereof.
- FIG. 5 is a rear view thereof; and,
- FIG. 6 is a bottom view thereof.

1 Claim, 3 Drawing Sheets

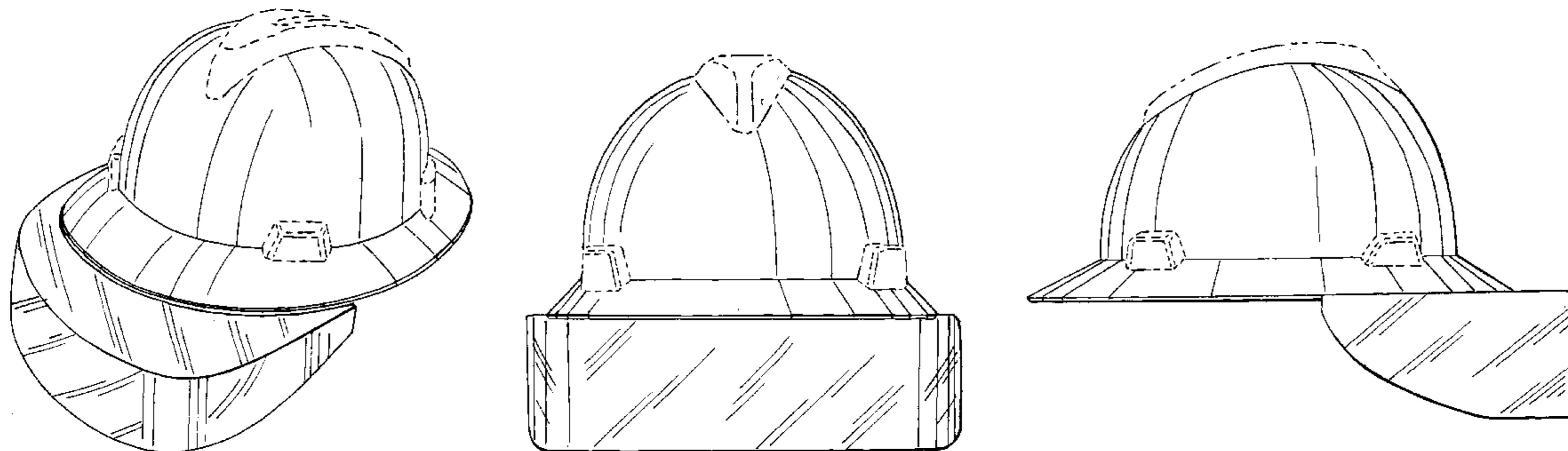


FIG. 1

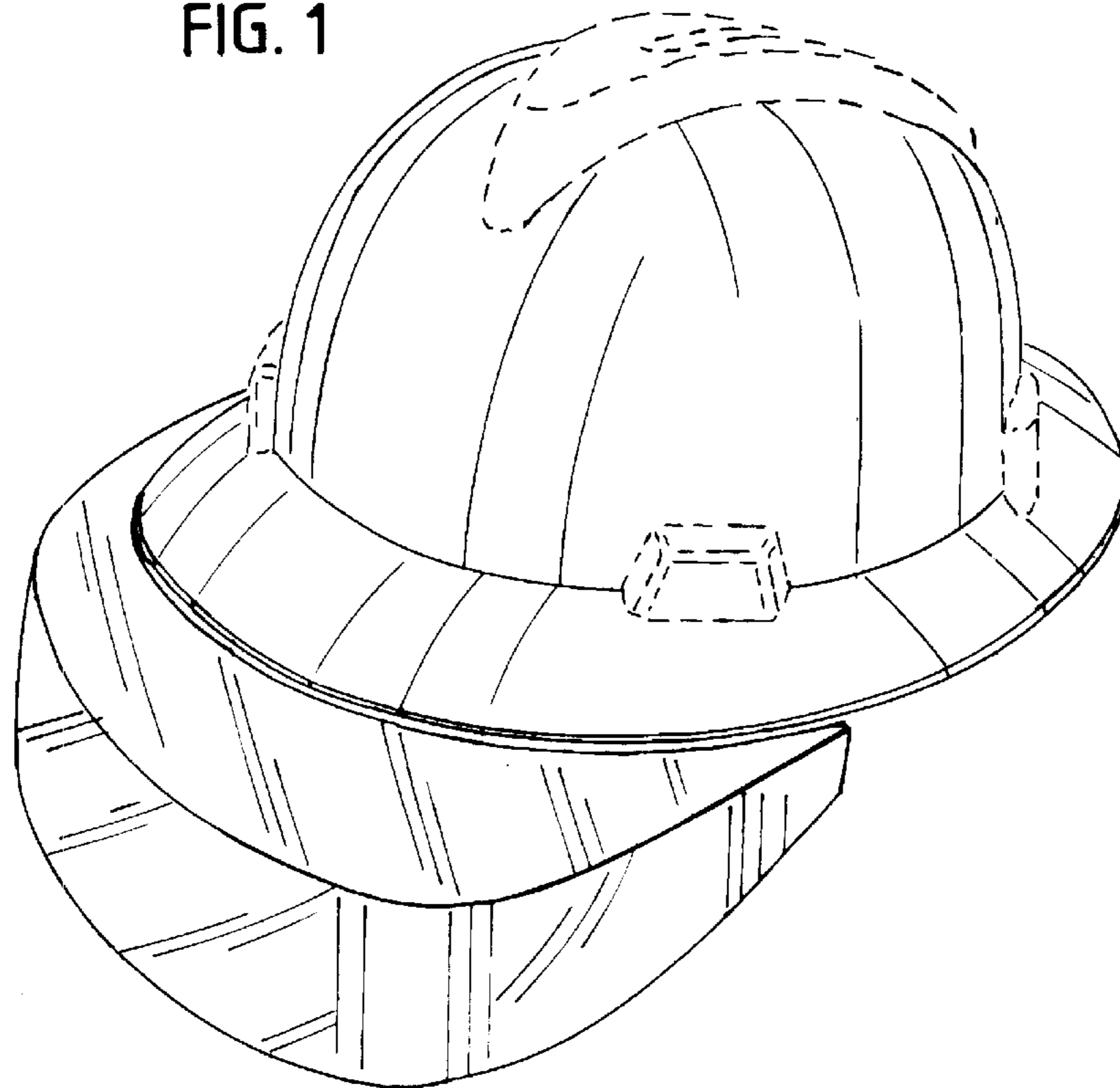


FIG. 2

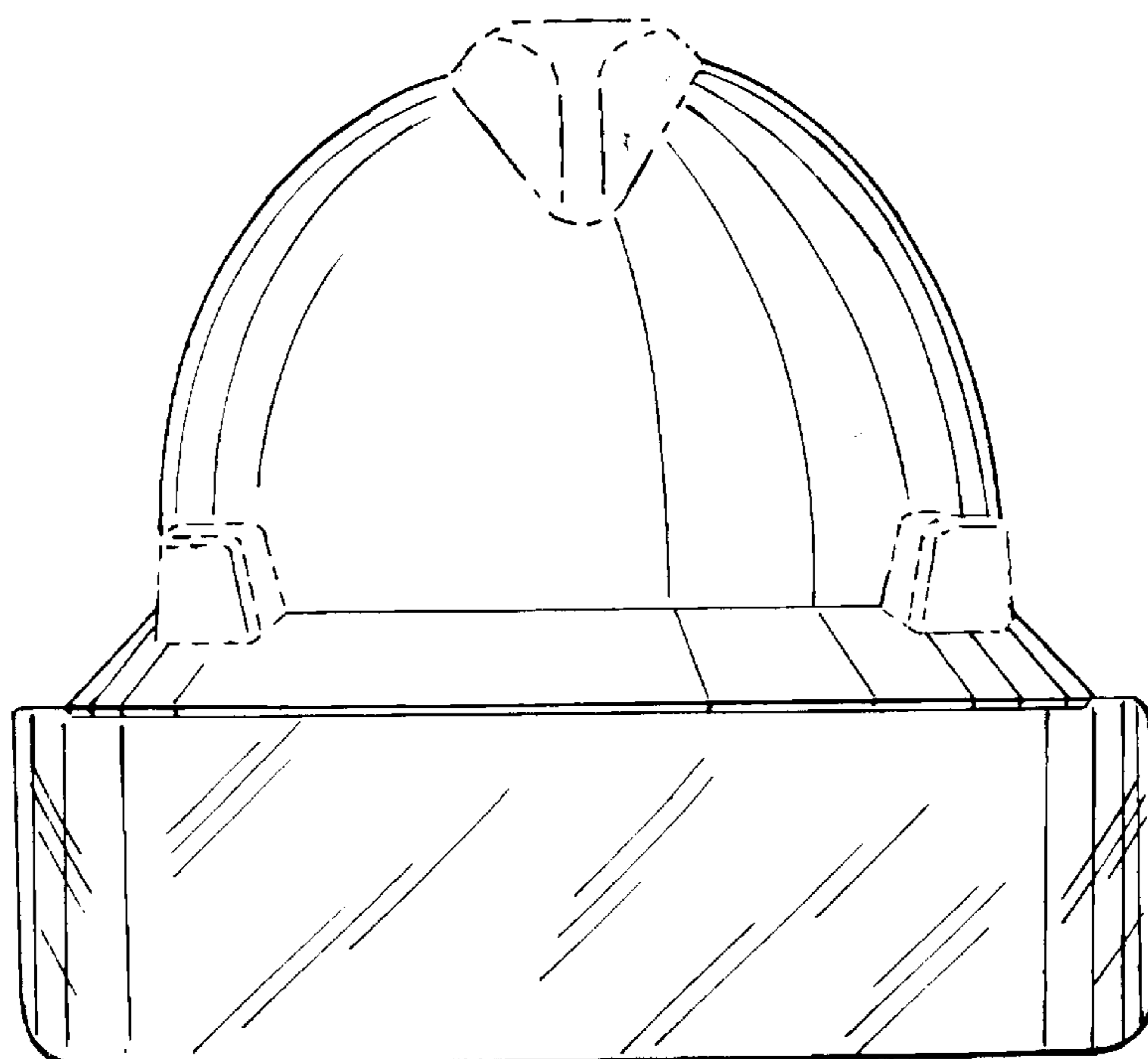


FIG. 3

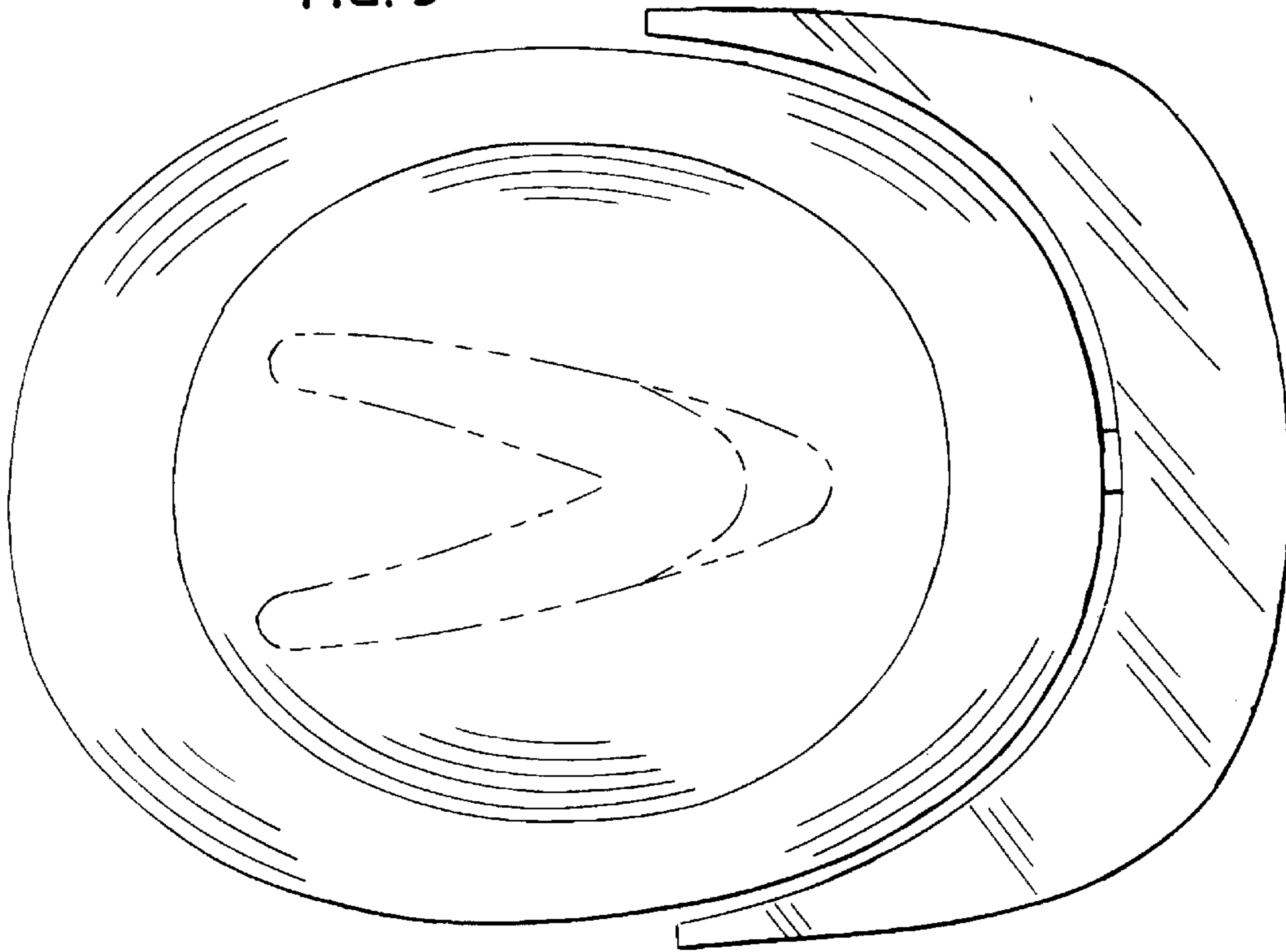


FIG. 4

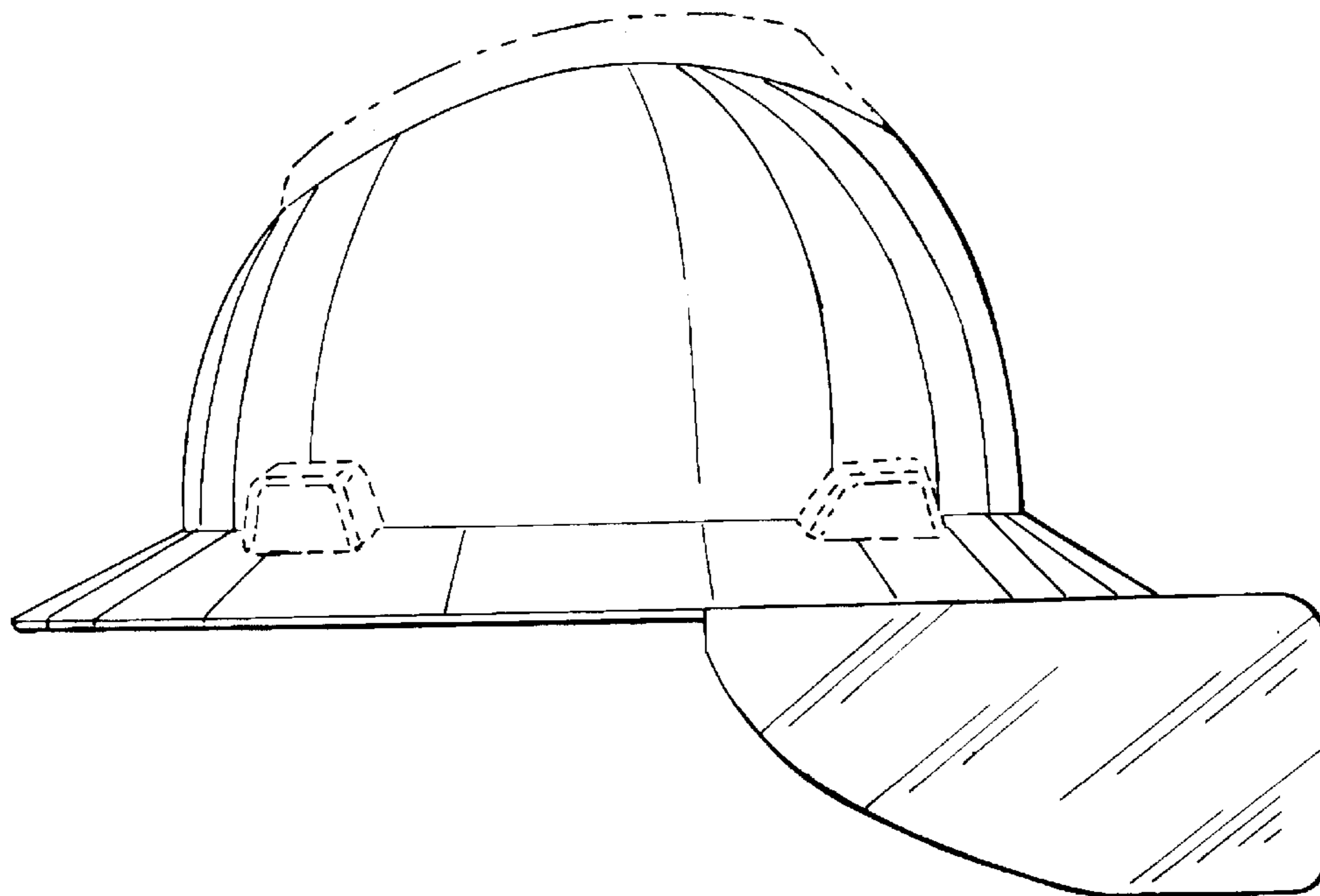


FIG. 5

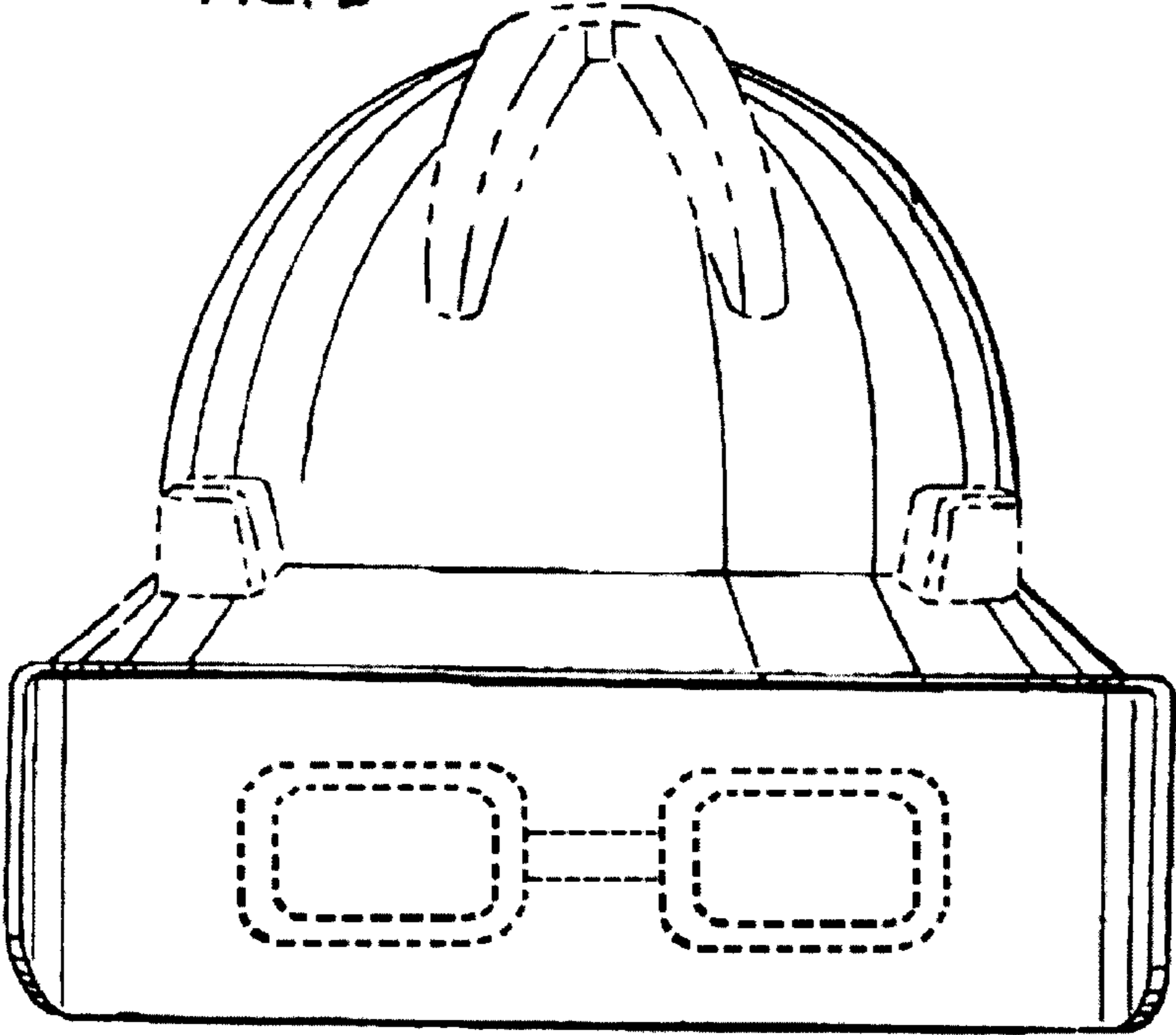


FIG. 6

