



US00D542976S

(12) **United States Design Patent**
Liao

(10) **Patent No.:** **US D542,976 S**

(45) **Date of Patent:** **** May 15, 2007**

(54) **HAND-DRYER**

(75) Inventor: **Wei-Ta Liao**, Taipei County (TW)

(73) Assignee: **American Specialties, Inc.**, Yonkers, NY (US)

(**) Term: **14 Years**

(21) Appl. No.: **29/261,976**

(22) Filed: **Jun. 26, 2006**

(51) **LOC (8) Cl.** **28-03**

(52) **U.S. Cl.** **D28/54.1**

(58) **Field of Classification Search** D28/54.1,
D28/58, 12; 392/380, 381; D23/357, 361,
D23/385, 370, 371; 34/266, 201, 202
See application file for complete search history.

(56) **References Cited**

U.S. PATENT DOCUMENTS

D200,519 S	*	3/1965	De La Marter	D28/12
D226,382 S	*	2/1973	Mox	D23/357
D302,870 S	*	8/1989	Mango	D28/54.1
D302,871 S	*	8/1989	Keck et al.	D28/54.1
D304,101 S	*	10/1989	Mango	D28/54.1

D309,037 S	*	7/1990	Morrow	D28/54.1
D312,146 S	*	11/1990	Pilolla et al.	D28/54.1
D415,857 S	*	10/1999	Ayre	D28/54.1
D420,764 S	*	2/2000	Conway et al.	D28/54.1
D432,266 S	*	10/2000	Lefebvre	D28/54.1
D441,139 S	*	4/2001	Hansen	D28/54.1

* cited by examiner

Primary Examiner—Janice Seeger

Assistant Examiner—Zenia Bennett

(74) *Attorney, Agent, or Firm*—Robert R. Strack

(57) **CLAIM**

The ornamental design for a hand-dryer, as shown and described.

DESCRIPTION

FIG. 1 is a perspective view of a hand-dryer embodying the design of this invention;

FIG. 2 is a left side elevation view thereof;

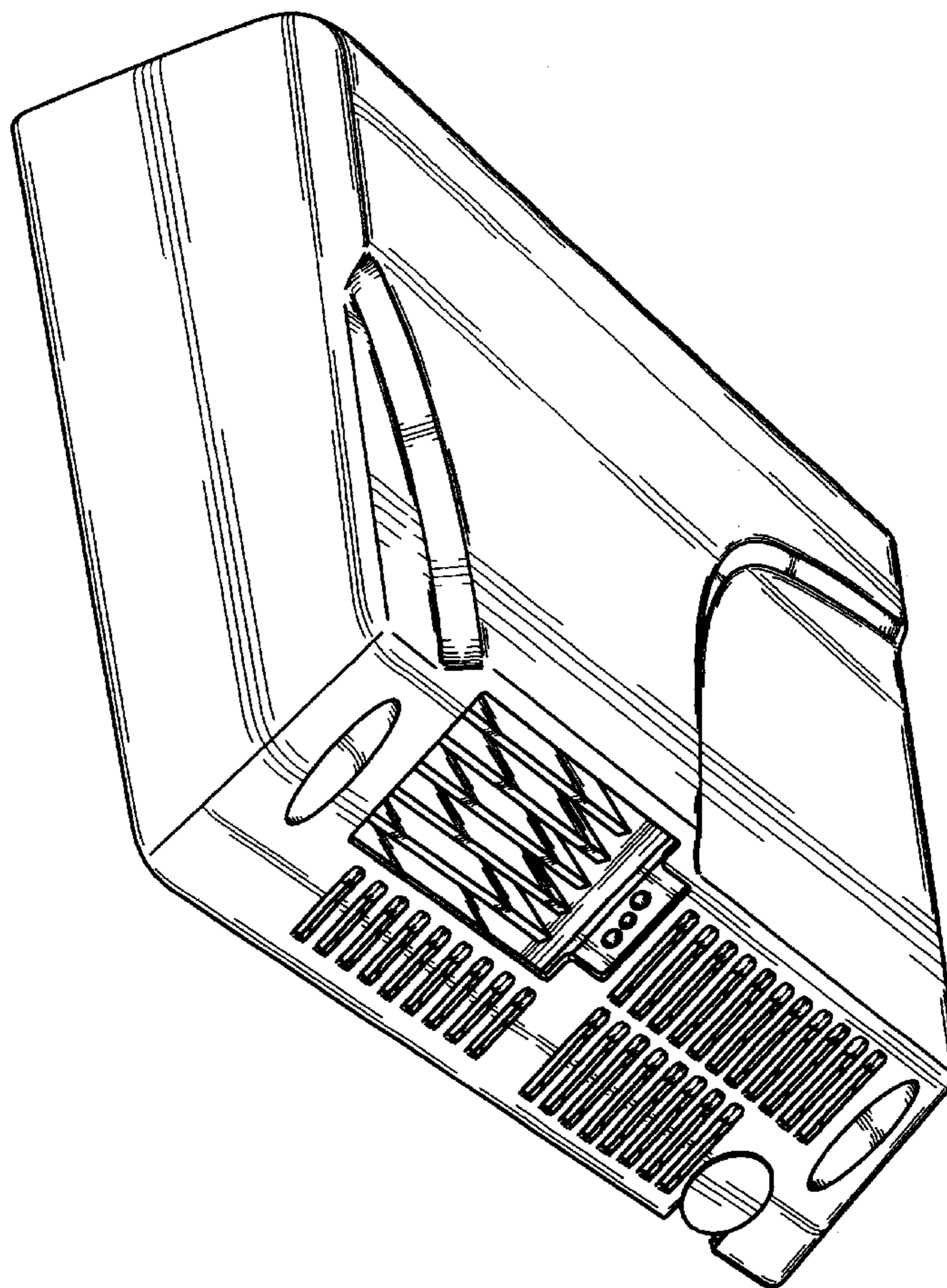
FIG. 3 is a front elevation view thereof;

FIG. 4 is a right side elevation view thereof;

FIG. 5 is a top view thereof; and,

FIG. 6 is a bottom view thereof.

1 Claim, 6 Drawing Sheets



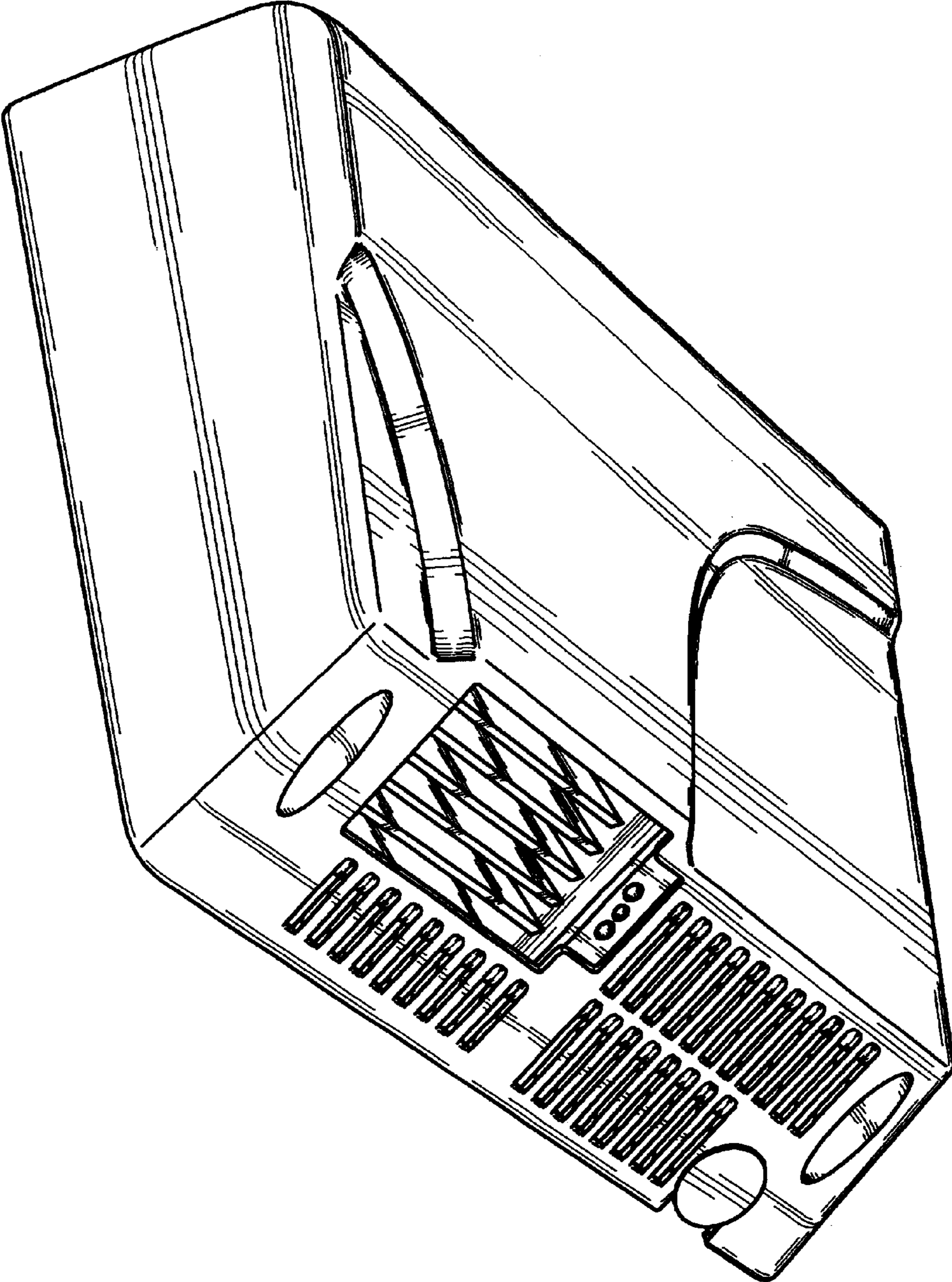


FIG. 1

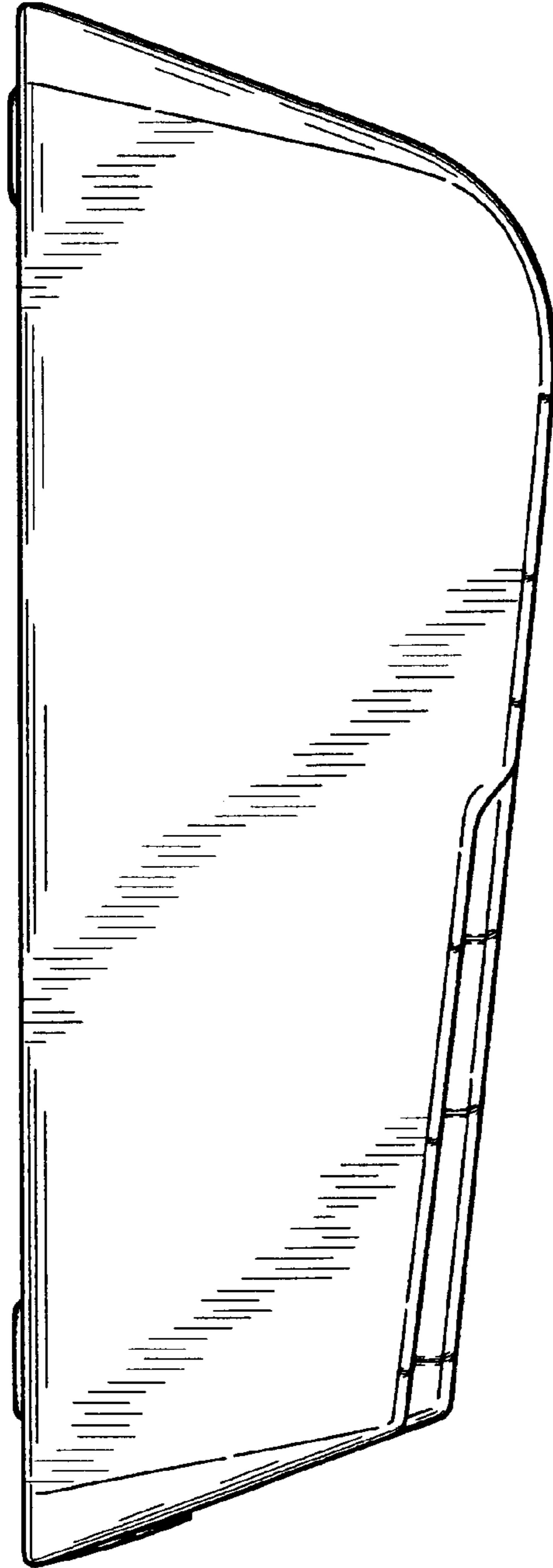


FIG. 2

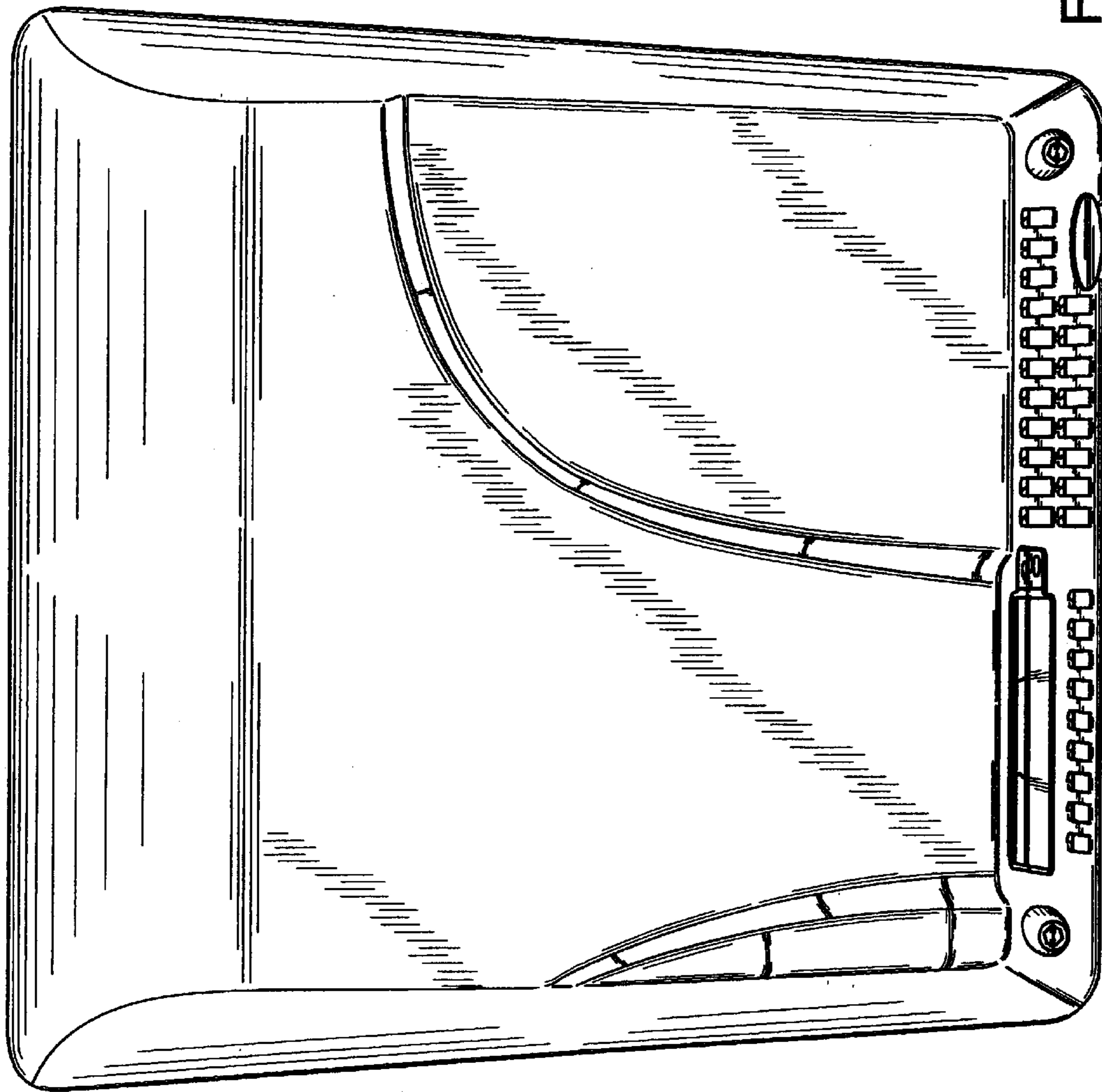


FIG. 3

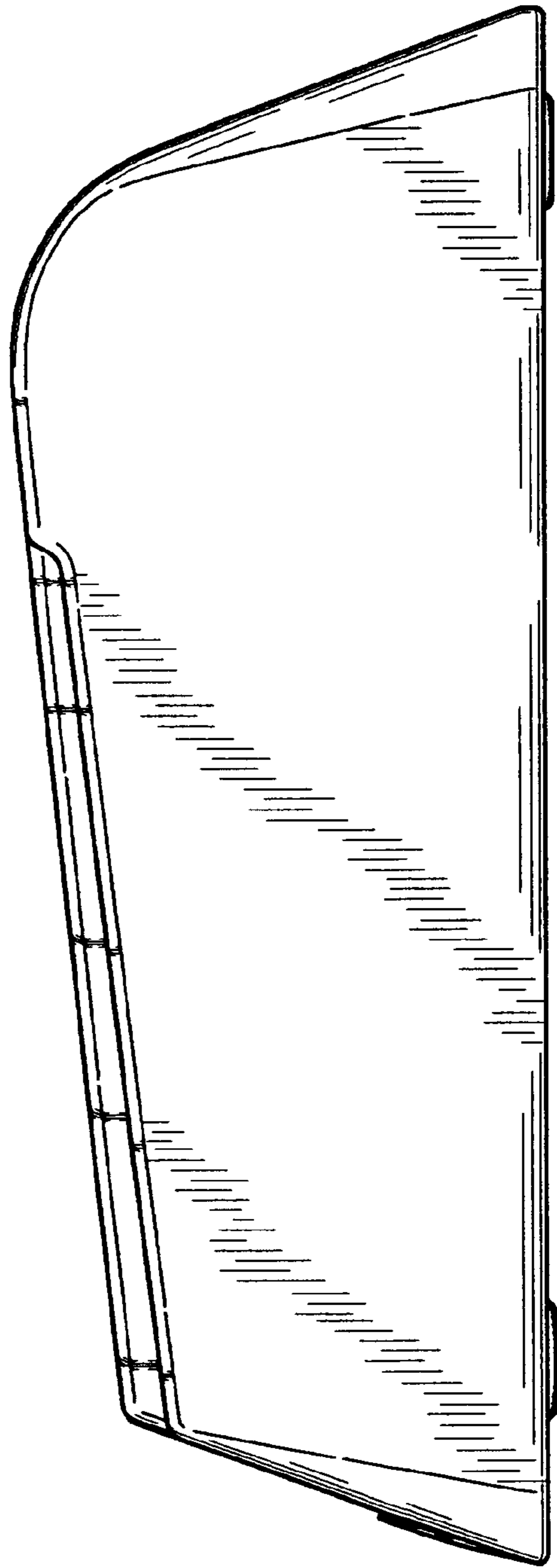


FIG. 4

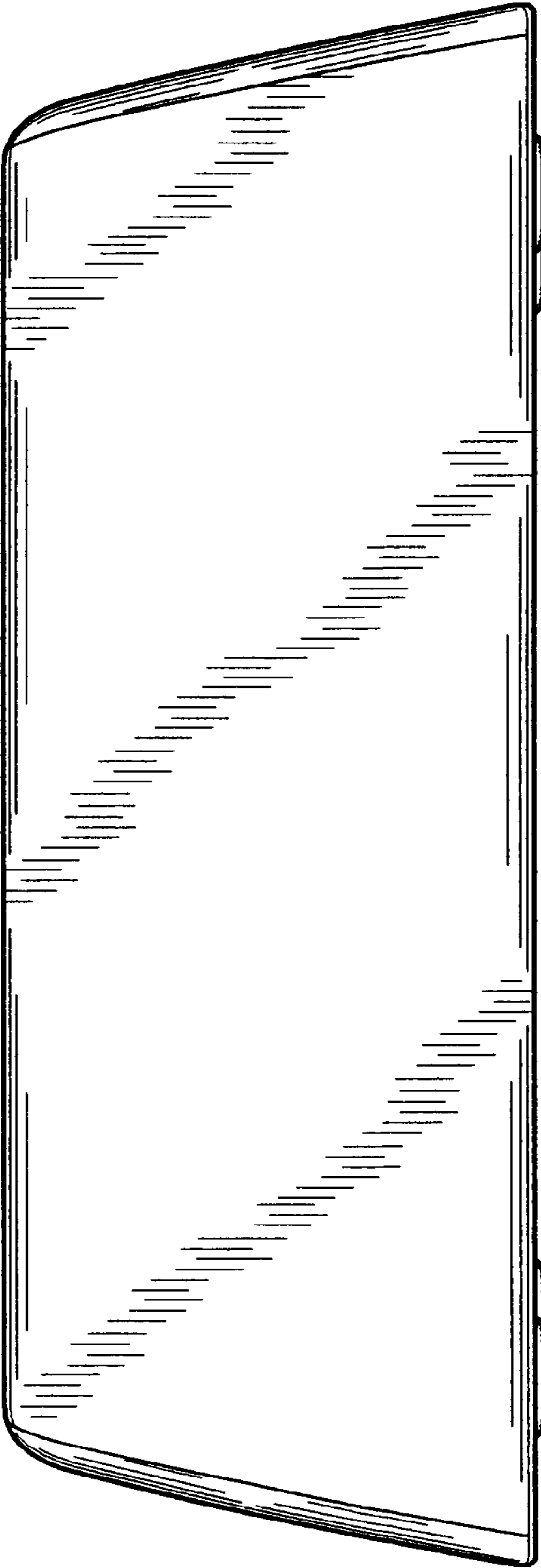


FIG. 5

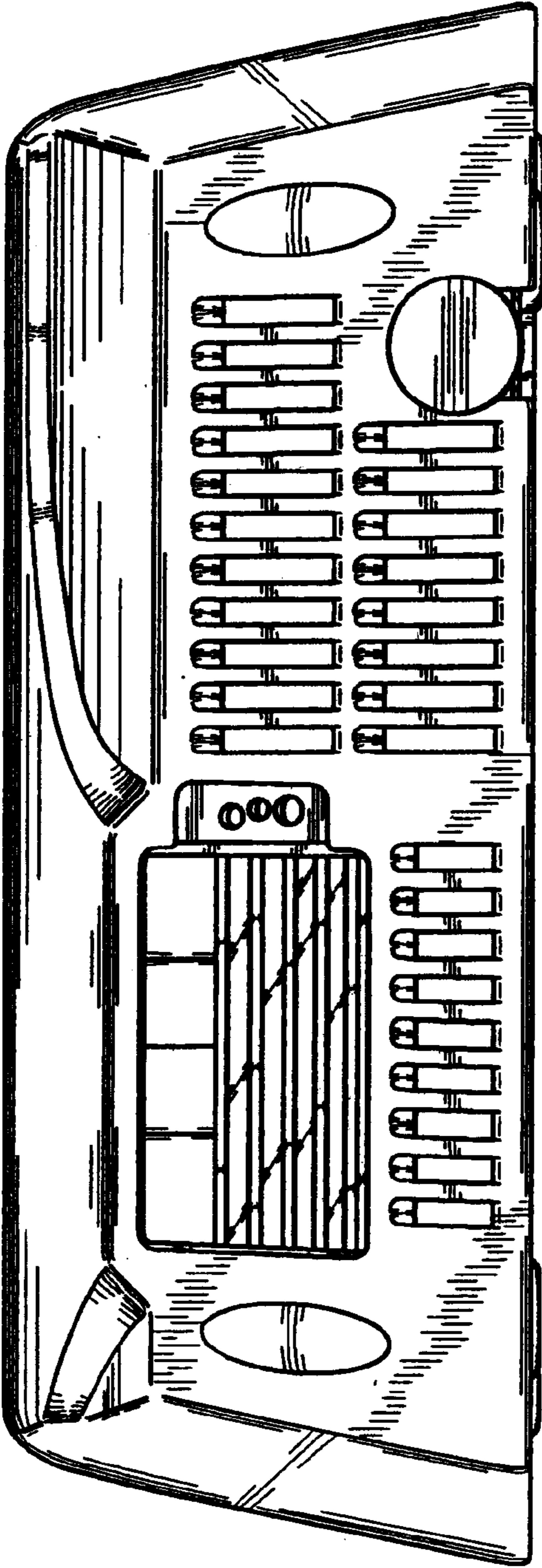


FIG. 6