



US00D542974S

(12) **United States Design Patent** (10) **Patent No.:** **US D542,974 S**  
**Karraker et al.** (45) **Date of Patent:** **\*\* May 15, 2007**

(54) **DRYER**

(75) Inventors: **Daniel Karraker**, Shanghai (CN);  
**Selina Huang**, Shanghai (CN);  
**Newman Liu**, Shanghai (CN)

(73) Assignee: **Kohler Co.**, Kohler, WI (US)

(\*\*) Term: **14 Years**

(21) Appl. No.: **29/223,402**

(22) Filed: **Feb. 14, 2005**

(51) **LOC (8) Cl.** ..... **28-03**

(52) **U.S. Cl.** ..... **D28/54.1**

(58) **Field of Classification Search** ..... D28/54.1,  
D28/58, 12; 392/380, 381; D23/357, 361,  
D23/385; 34/266, 201, 202  
See application file for complete search history.

(56) **References Cited**

**U.S. PATENT DOCUMENTS**

D200,519 S	*	3/1965	De La Marter	.....	D28/12
D226,382 S	*	2/1973	Mox	.....	D23/357
D304,101 S	*	10/1989	Mango	.....	D28/54.1
D308,119 S		5/1990	Wigman		
D309,037 S	*	7/1990	Morrow	.....	D28/54.1
D312,146 S	*	11/1990	Pilolla et al.	.....	D28/54.1
D415,857 S	*	10/1999	Ayre	.....	D28/54.1
D420,764 S	*	2/2000	Conway et al.	.....	D28/54.1
D428,204 S	*	7/2000	Elliott	.....	D28/54.1
D432,266 S	*	10/2000	Lefebvre	.....	D28/54.1
D441,139 S	*	4/2001	Hansen	.....	D28/54.1
D481,826 S	*	11/2003	Martinuzzo et al.	.....	D28/54.1

**OTHER PUBLICATIONS**

Bobrick website page, Bobrick #B-710 Compac and Bobrick #B-740 Eclipse hand dryers, dated Feb. 11, 2005.

American Dryer website page, New GX Series Automatic Hand Dryer, A Series, DR Series and SP Series, dated Feb. 11, 2005.

\* cited by examiner

*Primary Examiner*—Janice Seeger

*Assistant Examiner*—Zenita I. Bennett

(74) *Attorney, Agent, or Firm*—Quarles & Brady LLP

(57) **CLAIM**

The ornamental design for a dryer, as shown and described.

**DESCRIPTION**

In a preferred embodiment, the nature of this product is an air blowing device, such as a hand dryer.

FIG. 1 is a top, right front perspective view of a dryer of our new design;

FIG. 2 is a front elevational view thereof;

FIG. 3 is a right side elevational view thereof;

FIG. 4 is a left side elevational view thereof;

FIG. 5 is a top plan view thereof;

FIG. 6 is a bottom plan view thereof;

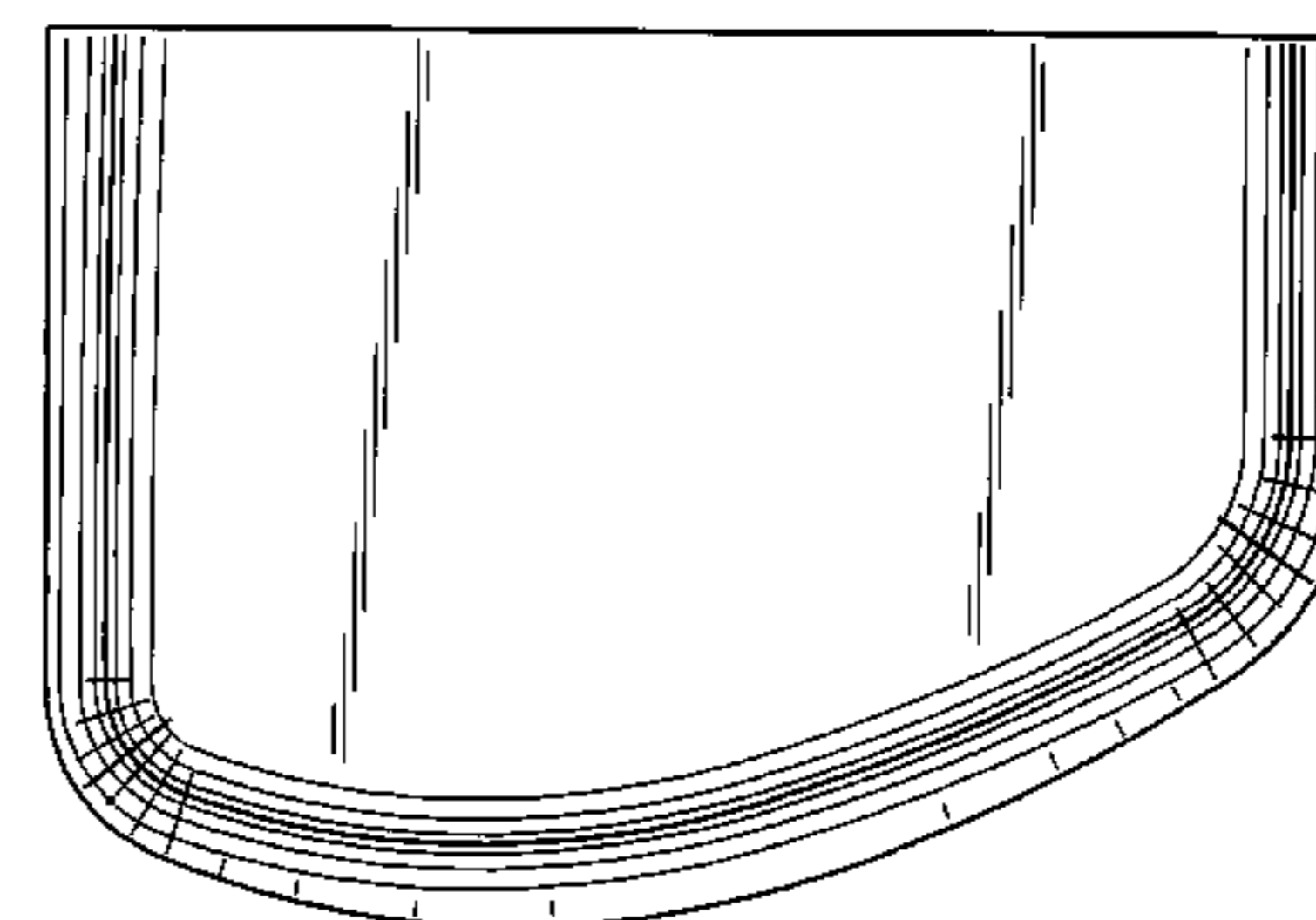
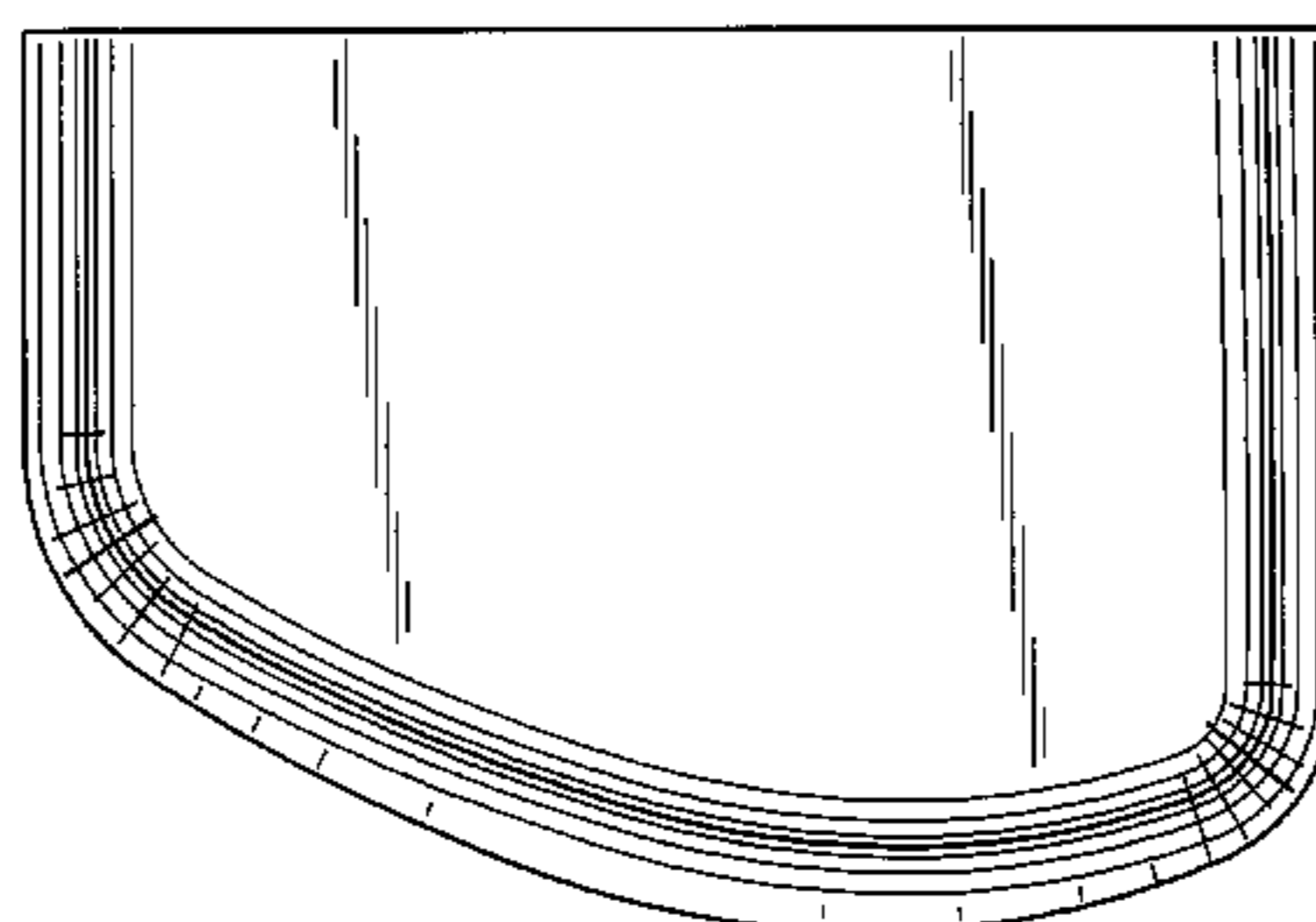
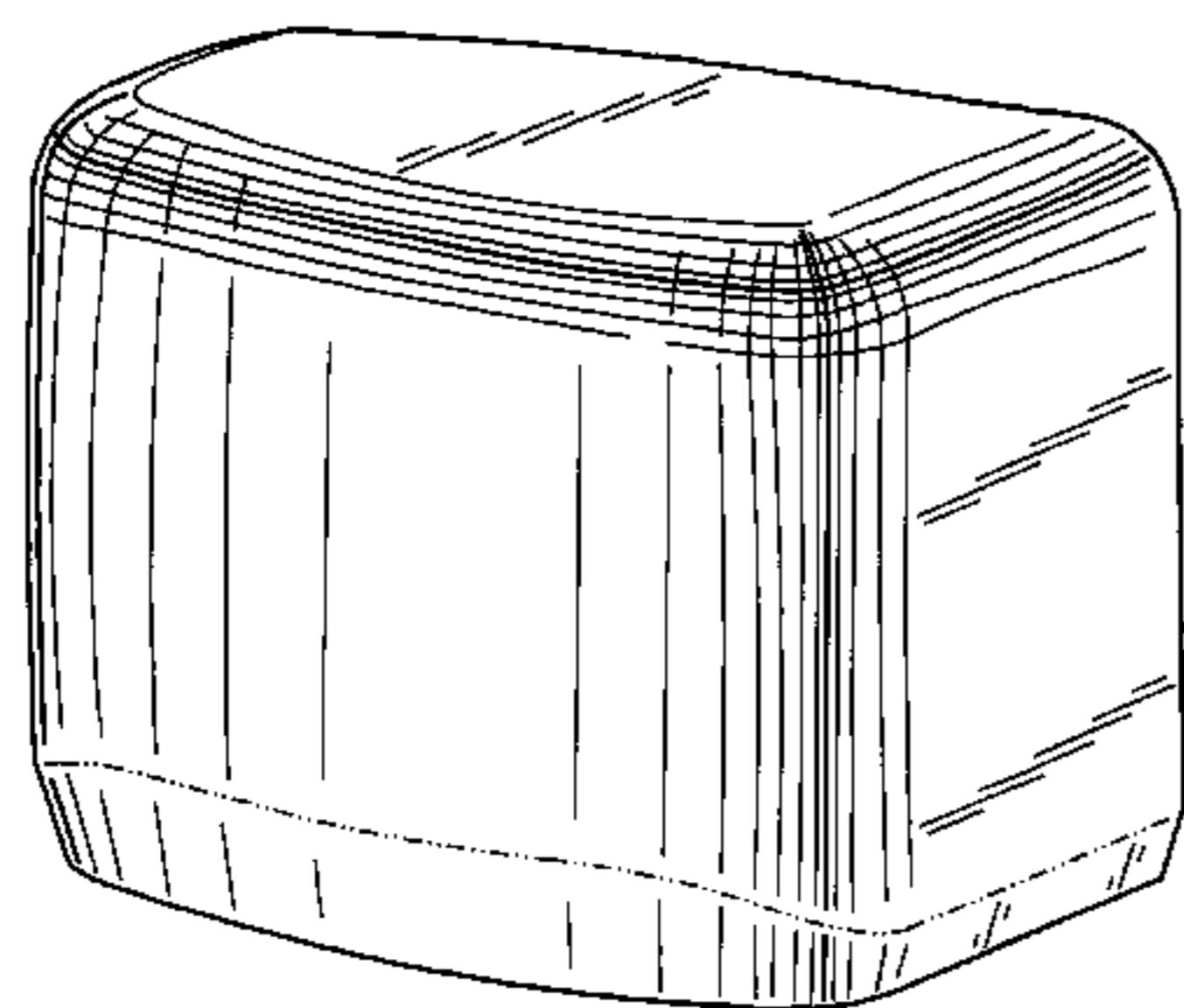
FIG. 7 is a rear elevational view thereof;

FIG. 8 is a top, left, front perspective view of a dryer according to another embodiment of our new design in which the dryer is a mirror image of the views shown in FIGS. 1–5; and;

FIG. 9 is a top plan view thereof.

The broken line representations of the rear structure in FIG. 7, the edge contour in FIGS. 1–4 and 8 and the bottom structure in FIG. 6 are for illustrative purposes only and form no part of the claimed design.

**1 Claim, 5 Drawing Sheets**



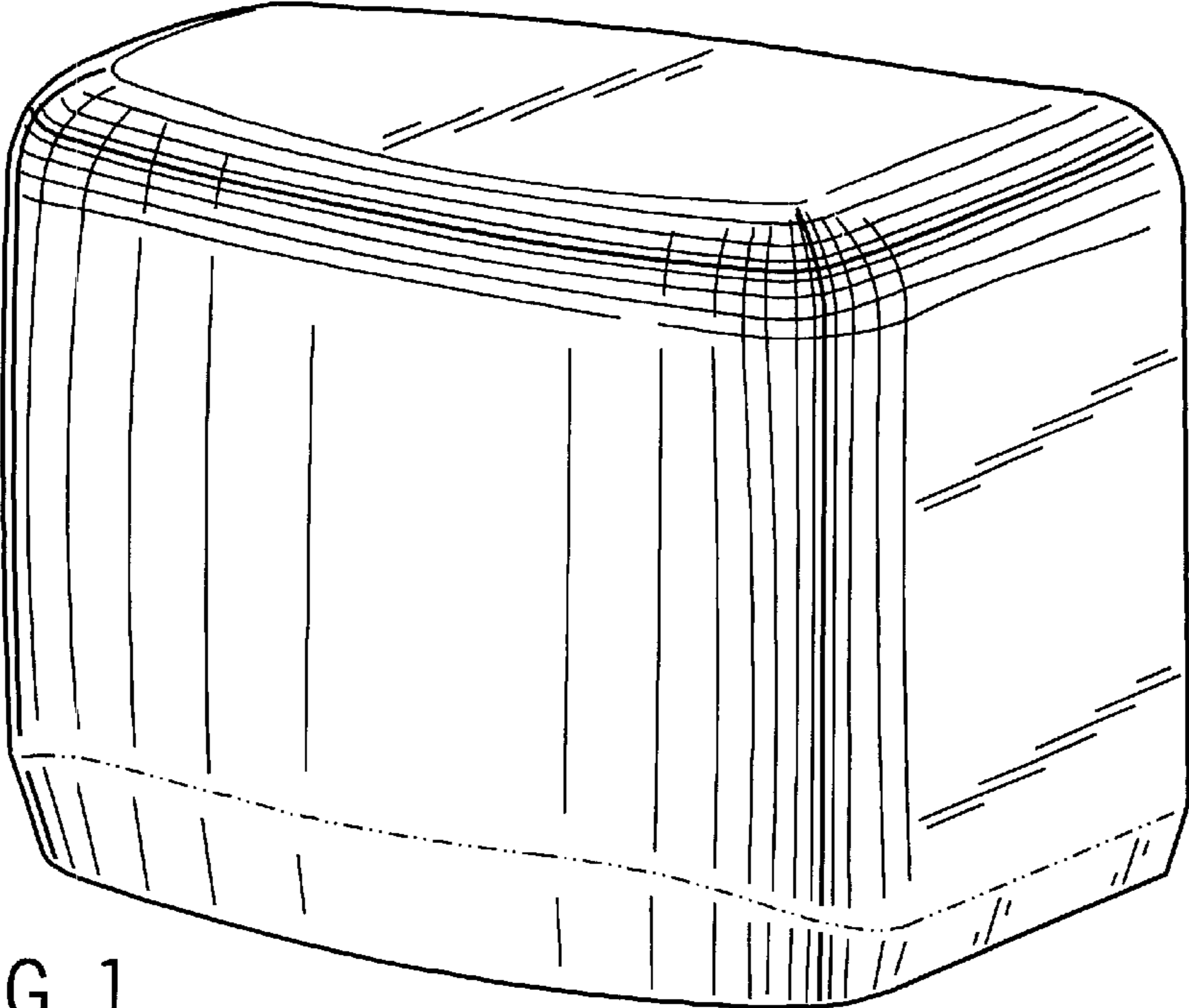


FIG. 1

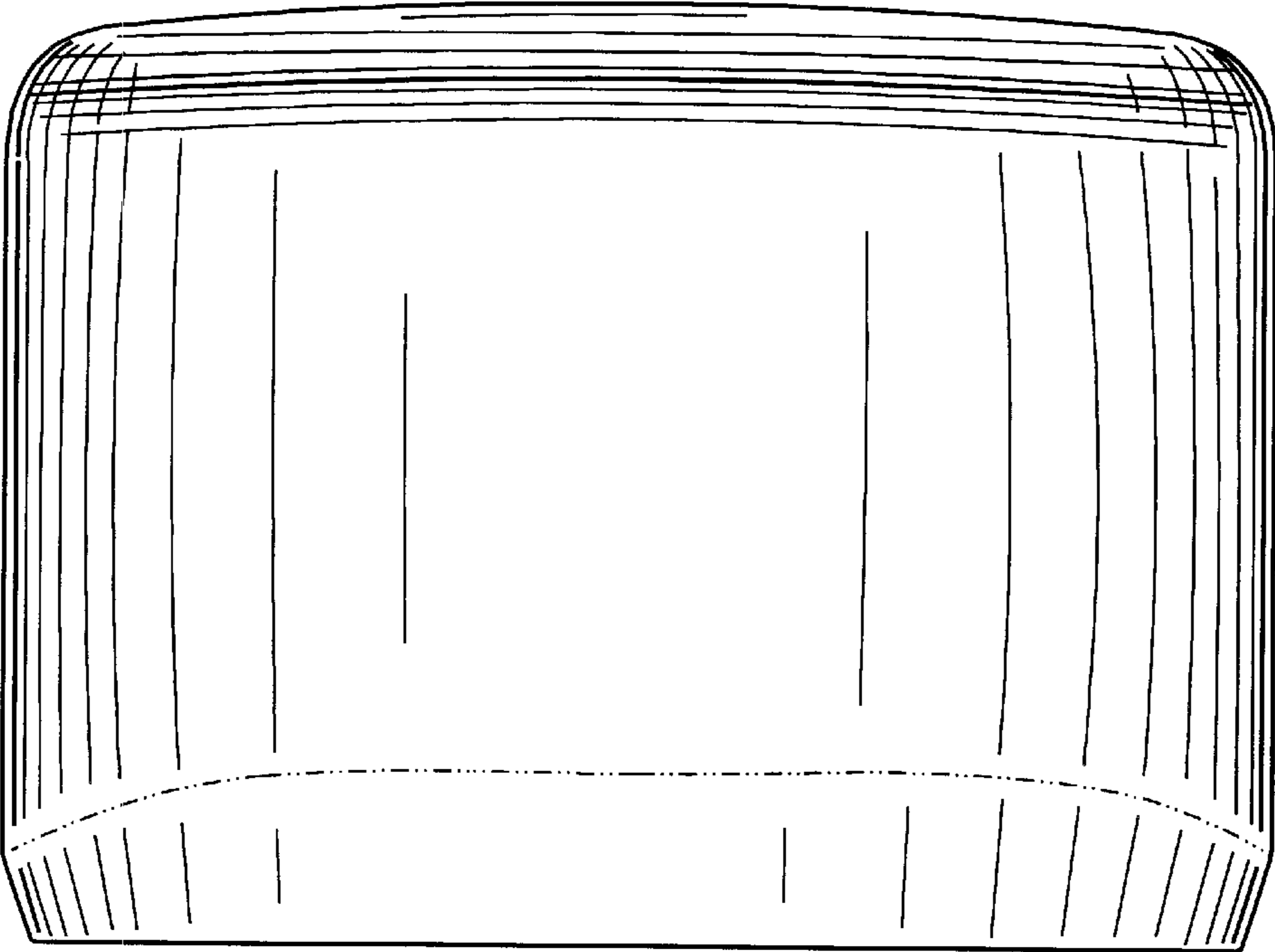


FIG. 2

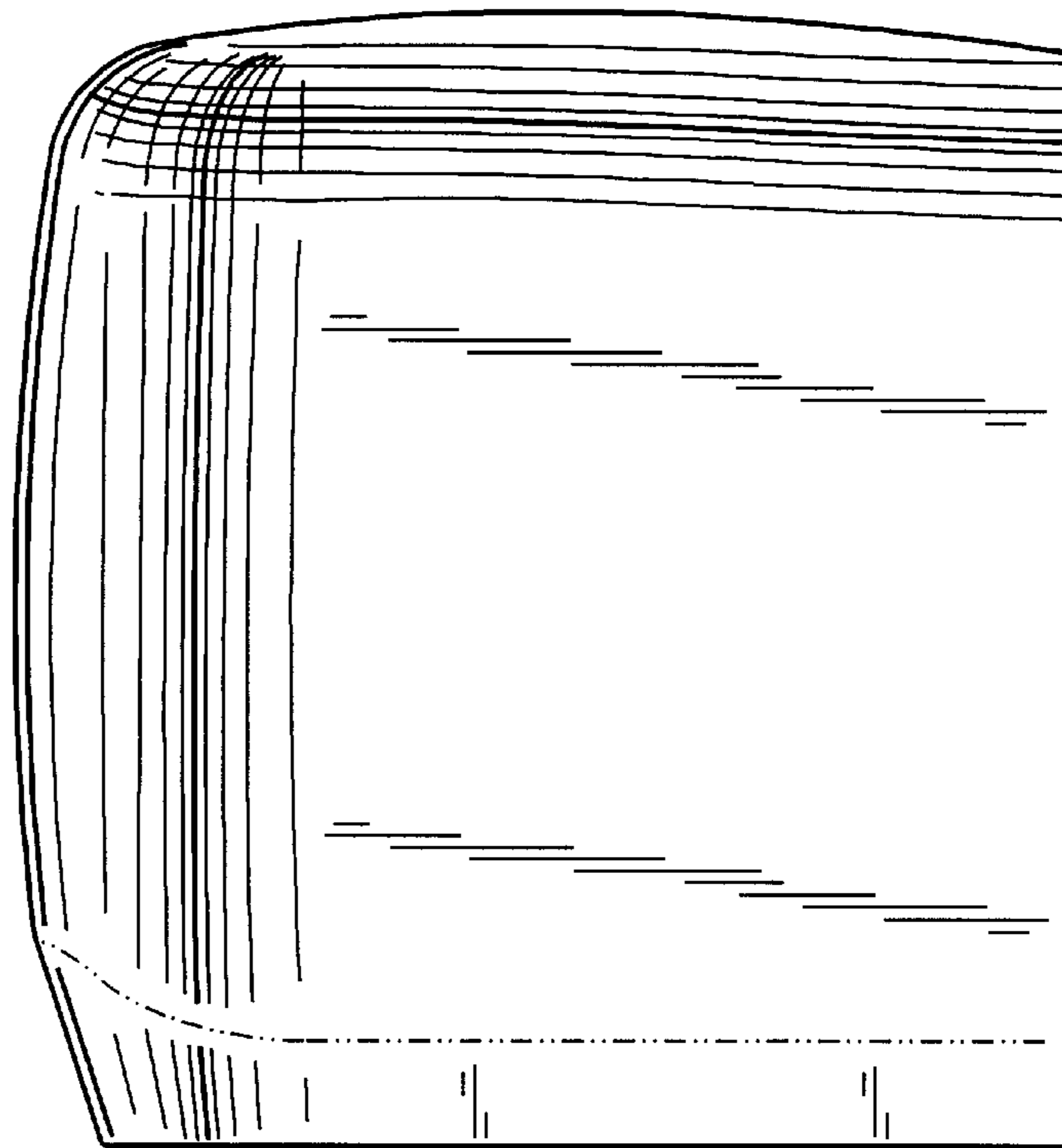


FIG. 3

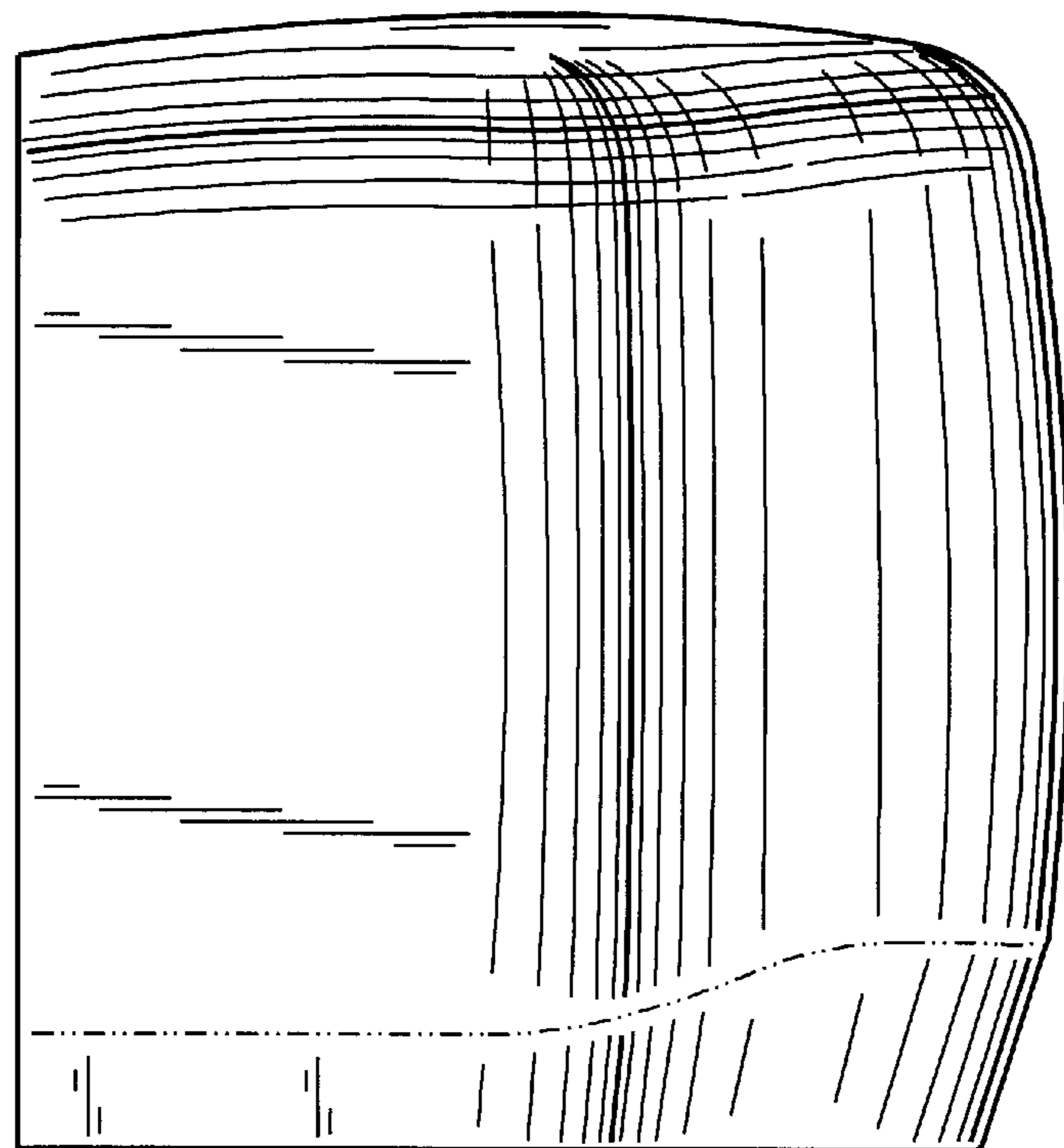


FIG. 4

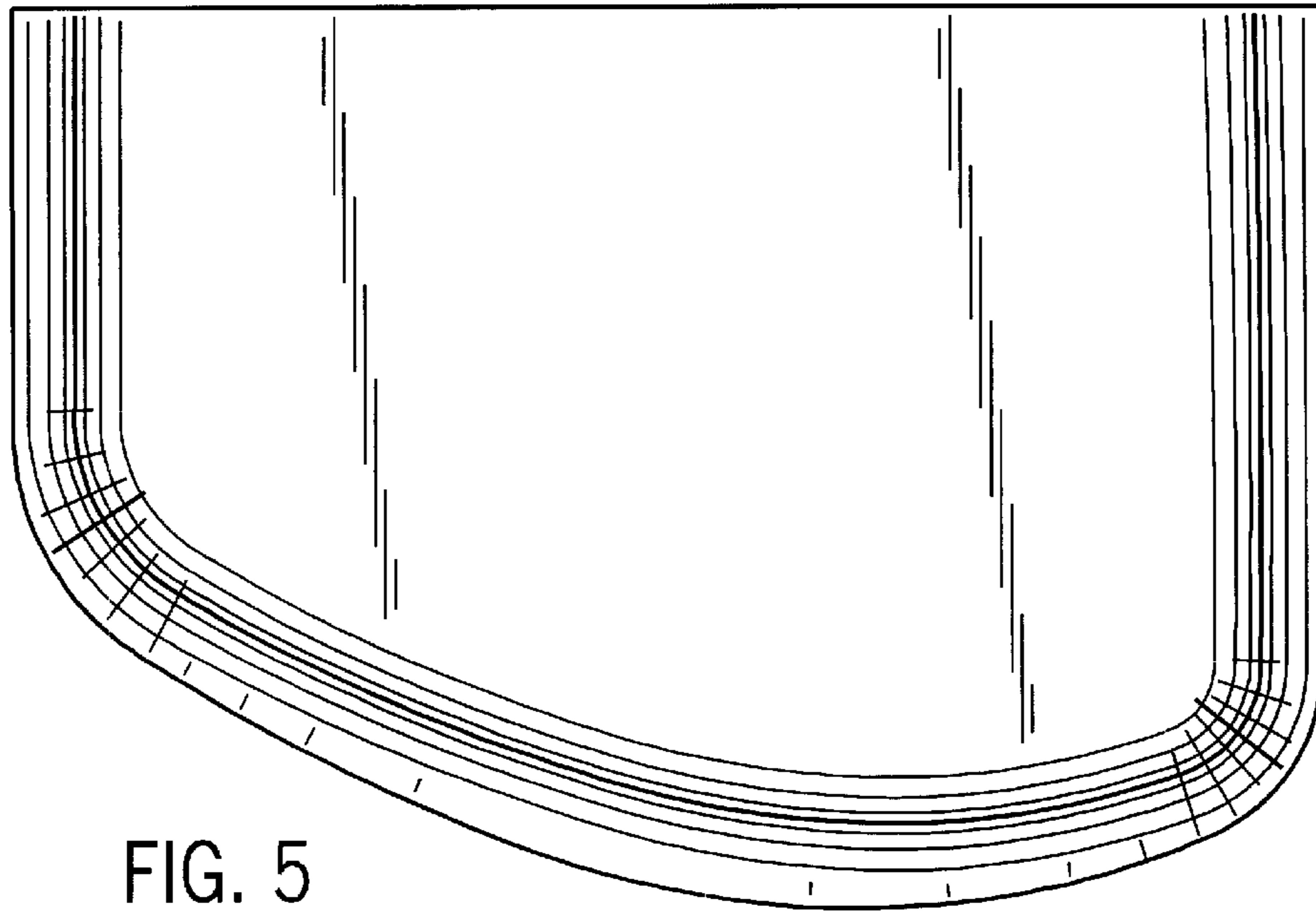


FIG. 5

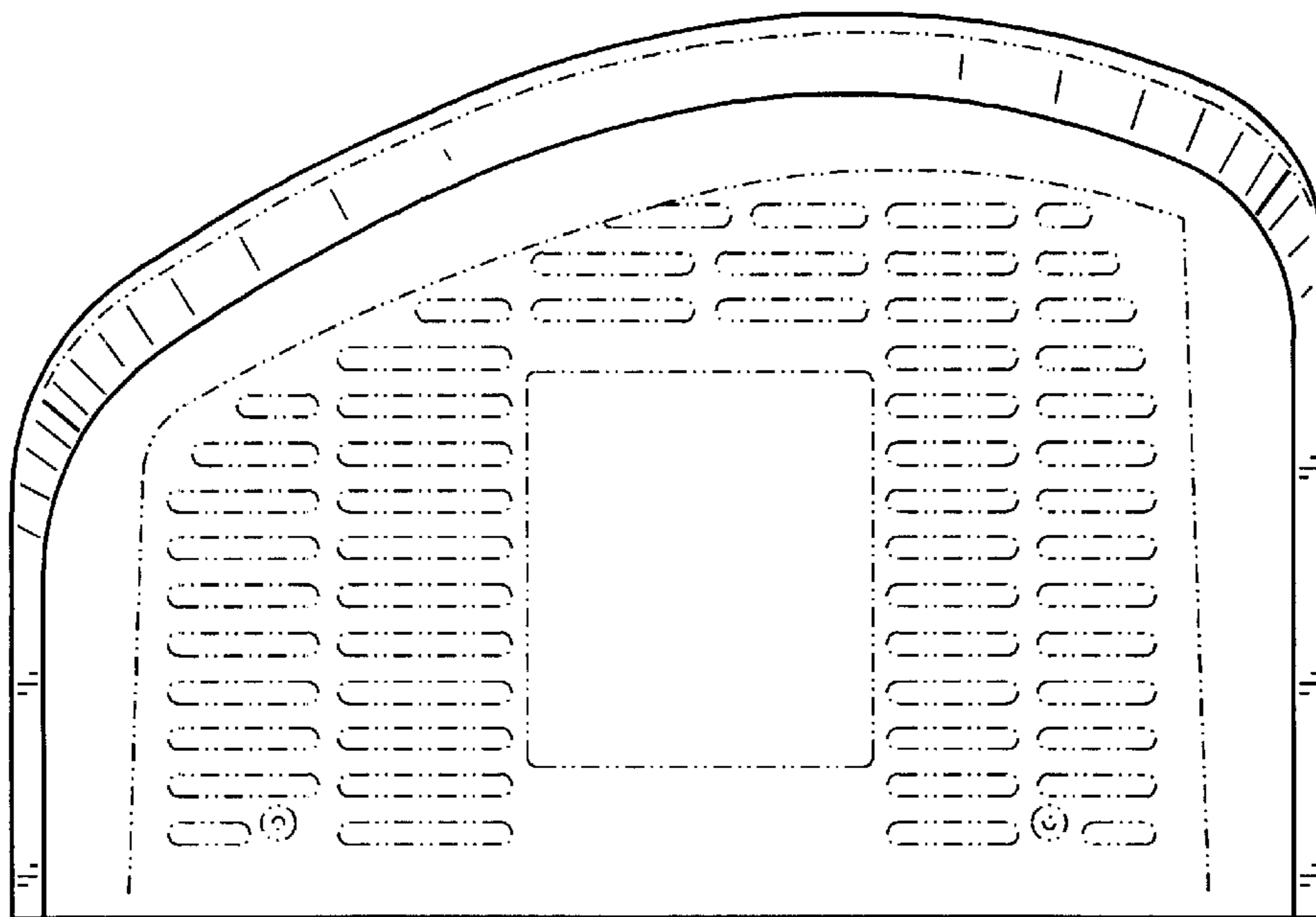


FIG. 6

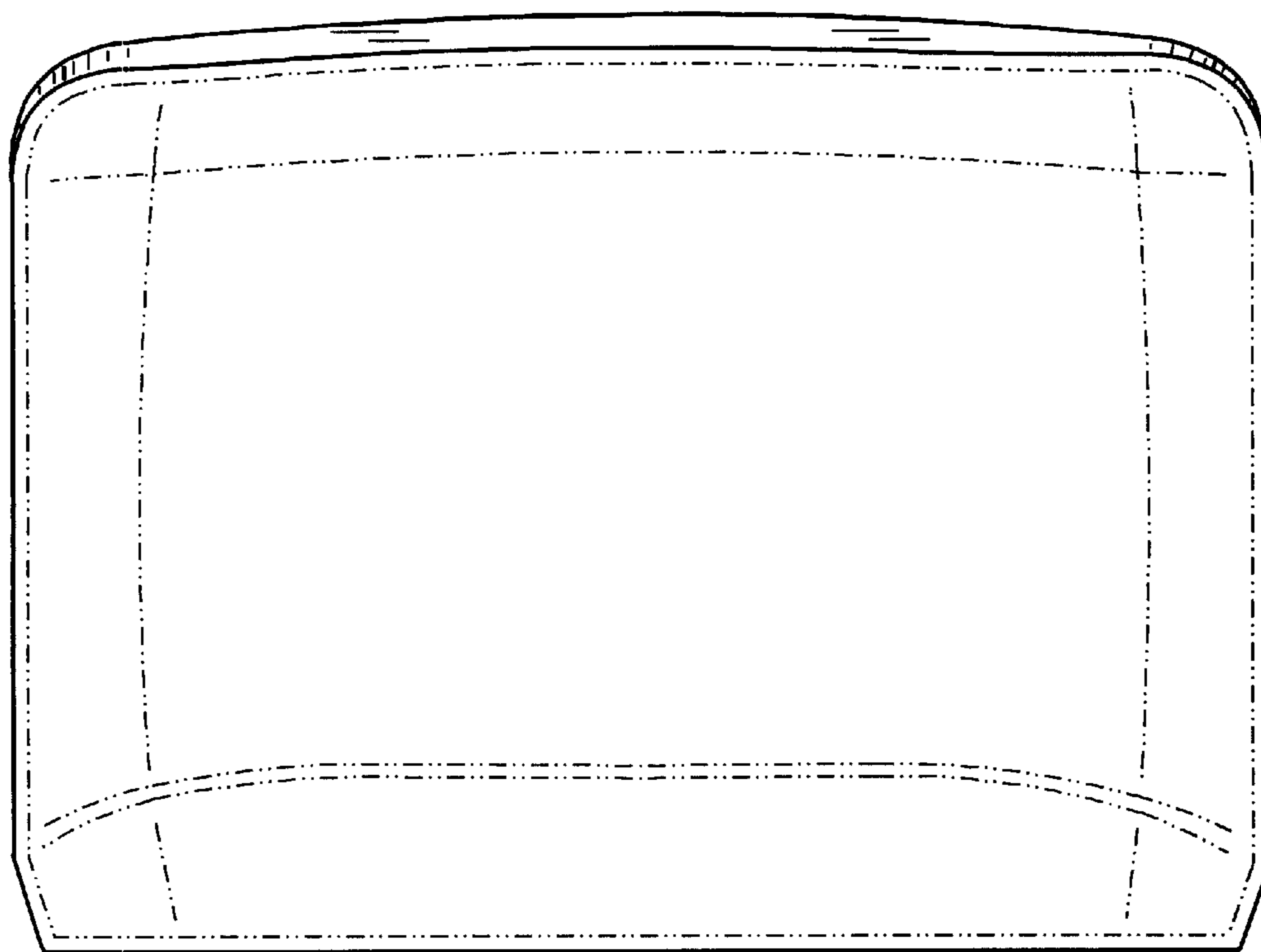


FIG. 7

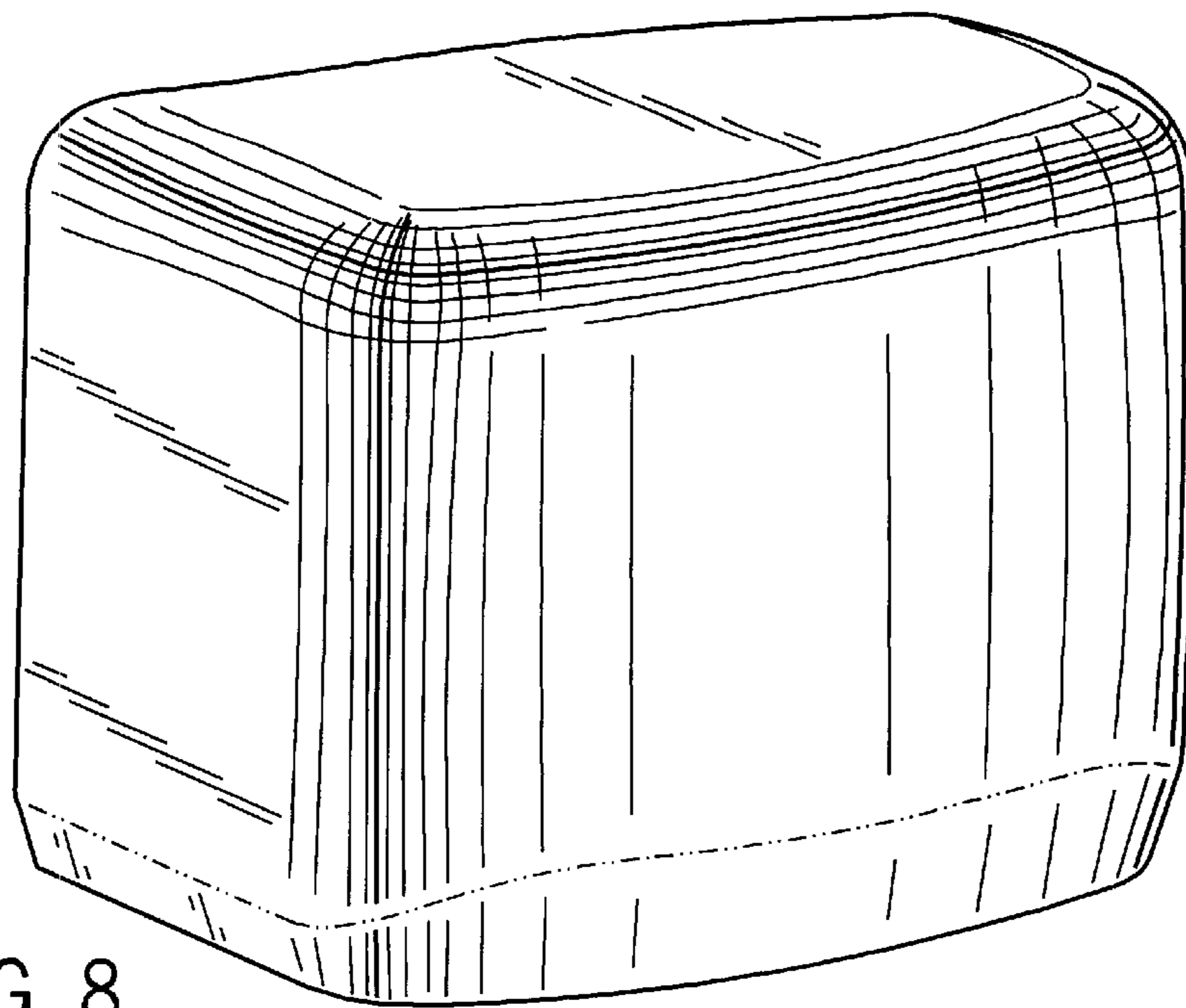


FIG. 8

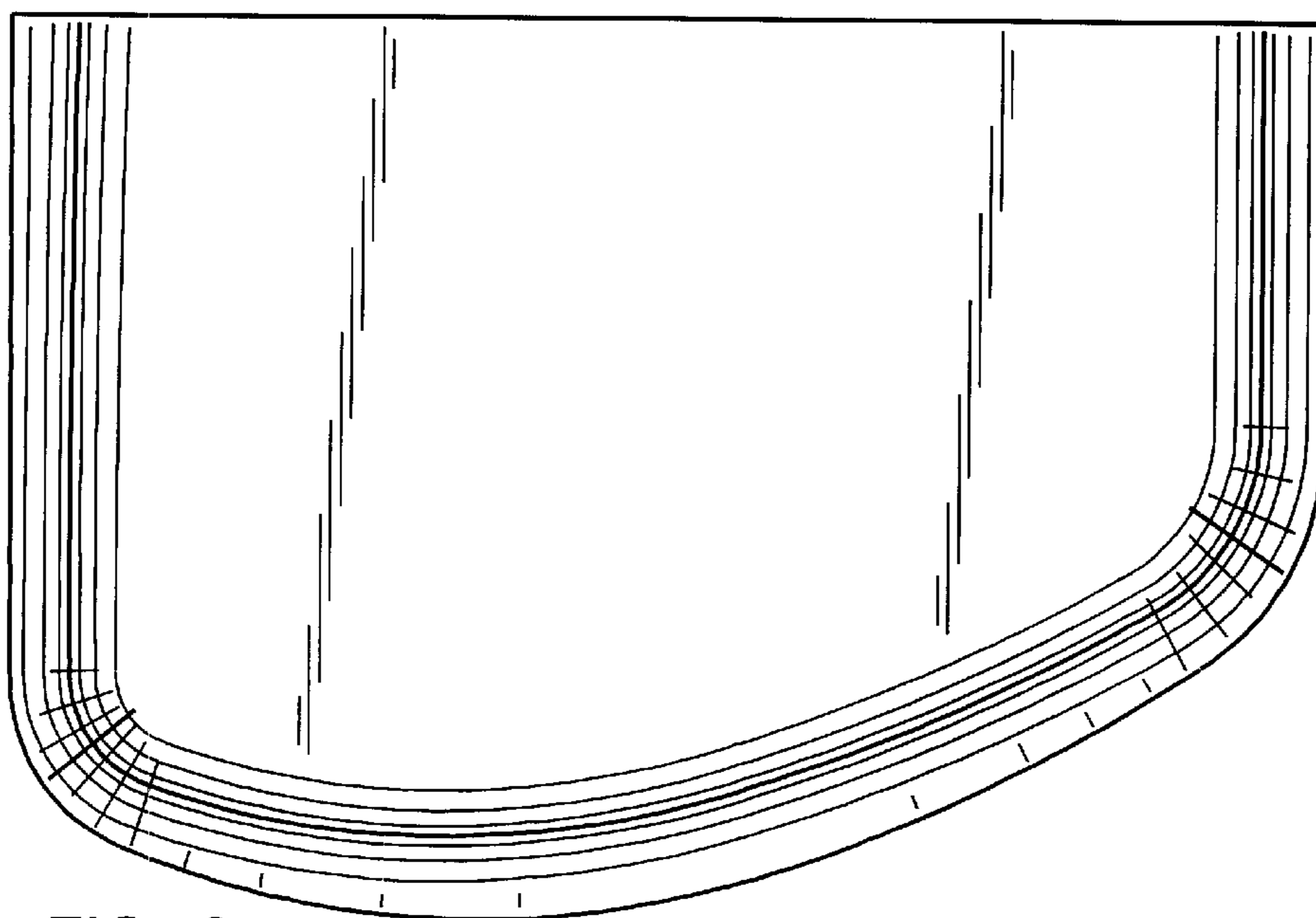


FIG. 9

UNITED STATES PATENT AND TRADEMARK OFFICE  
**CERTIFICATE OF CORRECTION**

PATENT NO. : Des. 542,974 S  
APPLICATION NO. : 29/223402  
DATED : May 15, 2007  
INVENTOR(S) : Daniel Karraker et al.

Page 1 of 1

It is certified that error appears in the above-identified patent and that said Letters Patent is hereby corrected as shown below:

Title Page,  
In the Description, first line, "product isn an" should be --product is an--.

Signed and Sealed this

Eighteenth Day of December, 2007

A handwritten signature in black ink on a light gray dotted background. The signature reads "Jon W. Dudas" in a cursive style.

JON W. DUDAS

*Director of the United States Patent and Trademark Office*