

US00D542970S

(12) **United States Design Patent**
Park

(10) **Patent No.:** **US D542,970 S**

(45) **Date of Patent:** **** May 15, 2007**

(54) **HAIR FASTENING DEVICE**

2005/0247326 A1 11/2005 Park
2006/0180171 A1 * 8/2006 Kim 132/201

(76) Inventor: **Hui Suk Park**, 11425 Mathis Ave.,
#408, Farmers Branch, TX (US) 75234

* cited by examiner

(**) Term: **14 Years**

Primary Examiner—Jennifer Rivard

(74) *Attorney, Agent, or Firm*—Geoffrey A. Mantooth

(21) Appl. No.: **29/262,474**

(57) **CLAIM**

(22) Filed: **Jul. 3, 2006**

The ornamental design for a hair fastening device, as shown and described.

(51) **LOC (8) Cl.** **28-03**

(52) **U.S. Cl.** **D28/10; D28/35**

(58) **Field of Classification Search** 219/222,
219/225; 132/201, 223–269; D28/10, 35–37
See application file for complete search history.

DESCRIPTION

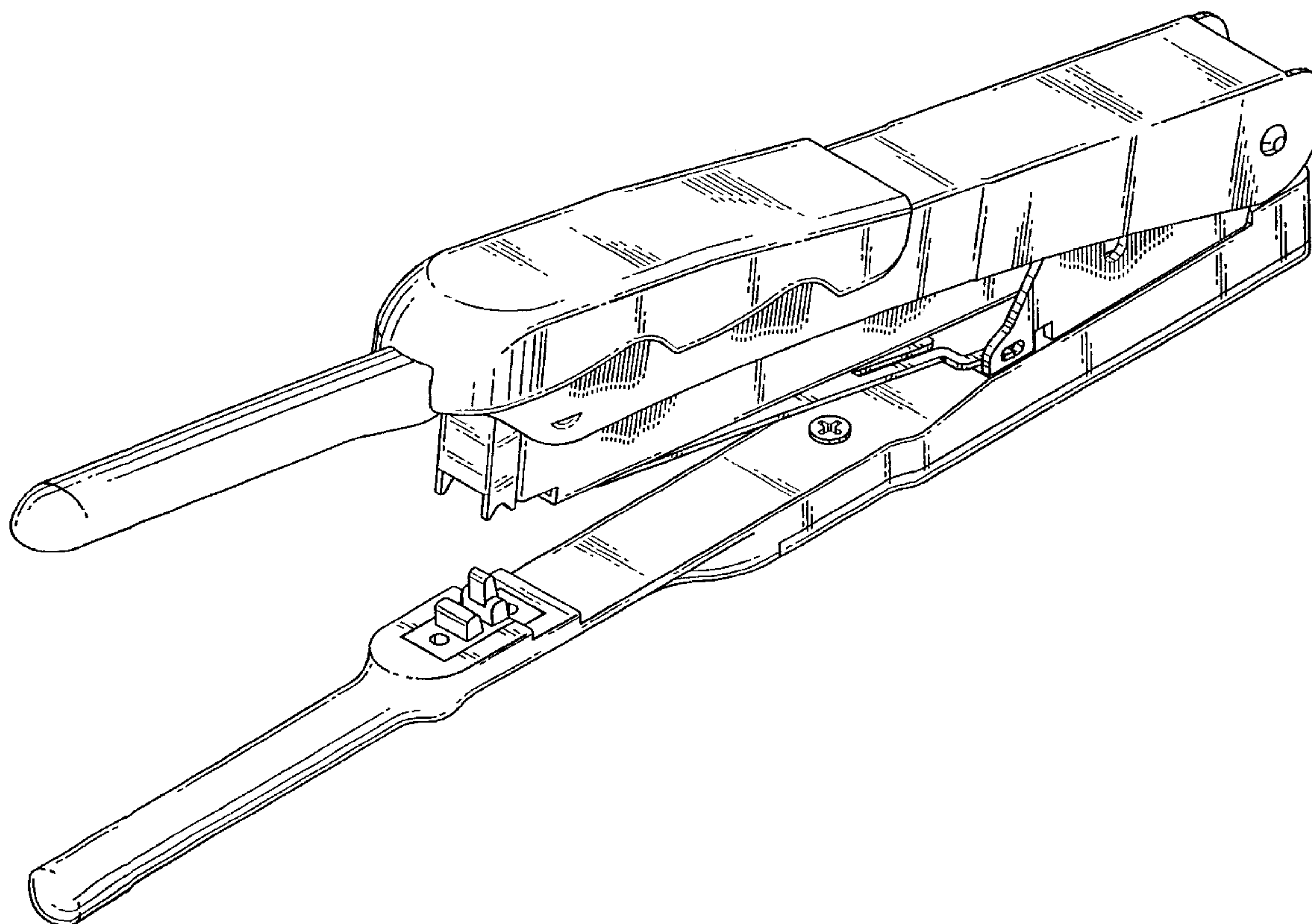
FIG. 1 is an isometric front view of the hair fastening device, showing my new design;
FIG. 2 is a top view thereof;
FIG. 3 is a left side view thereof, the right side view being the mirror image thereof;
FIG. 4 is a front view thereof;
FIG. 5 is a rear view thereof; and,
FIG. 6 is a bottom view thereof.

(56) **References Cited**

U.S. PATENT DOCUMENTS

D489,482 S	*	5/2004	Cho	D28/35
D504,541 S	*	4/2005	Cho	D28/35
D507,849 S	*	7/2005	Lee	D28/10
2004/0168699 A1	*	9/2004	Park	132/201

1 Claim, 3 Drawing Sheets



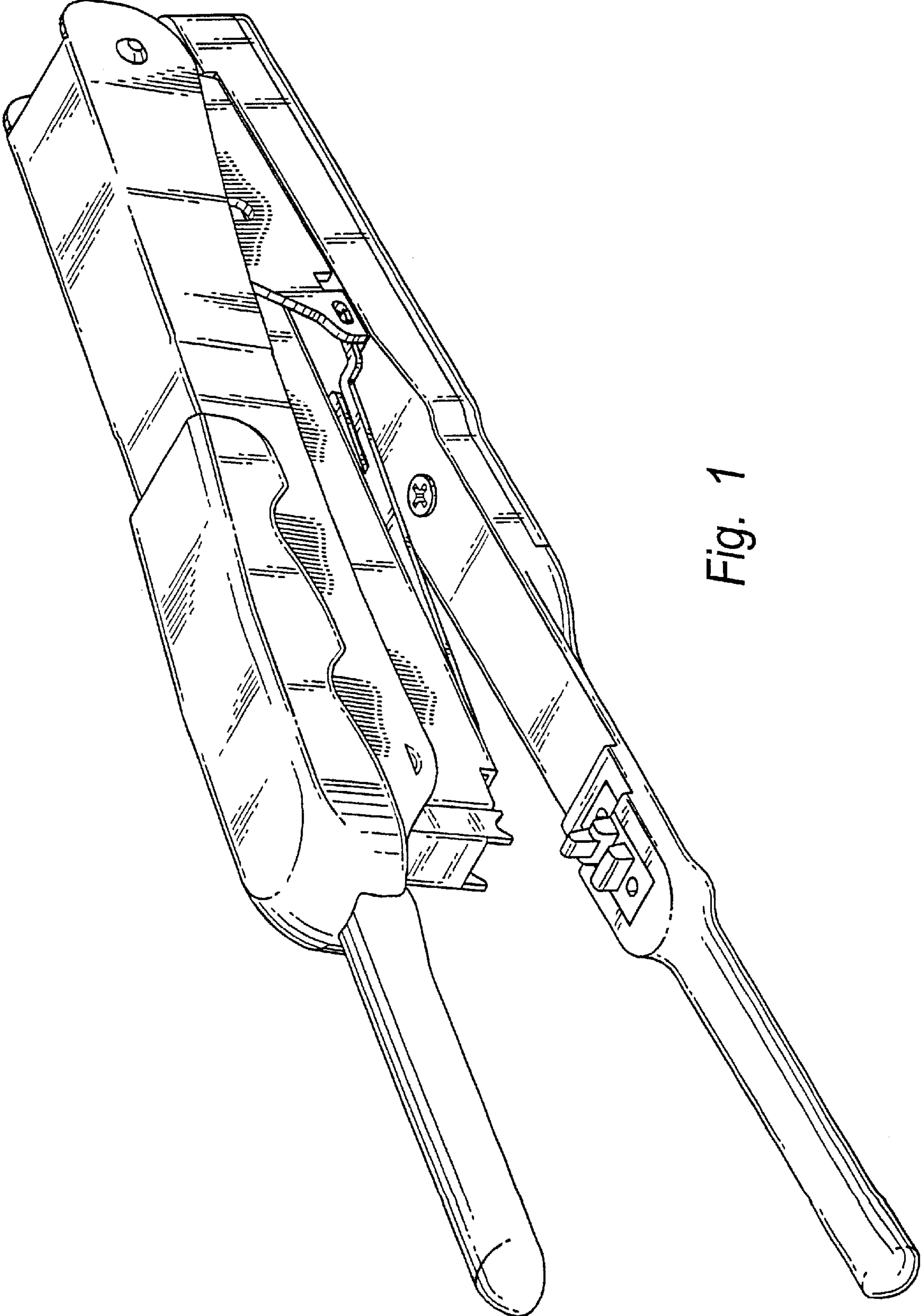


Fig. 1

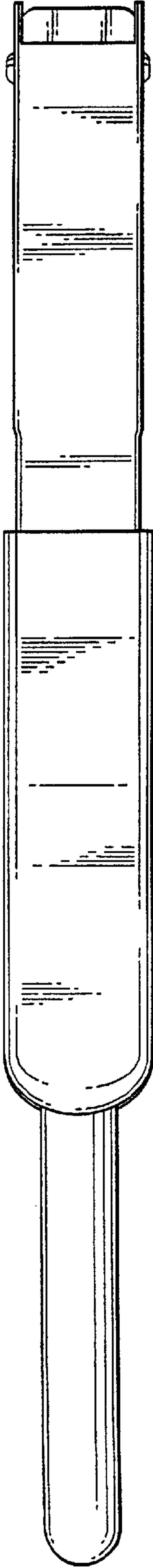


Fig. 2

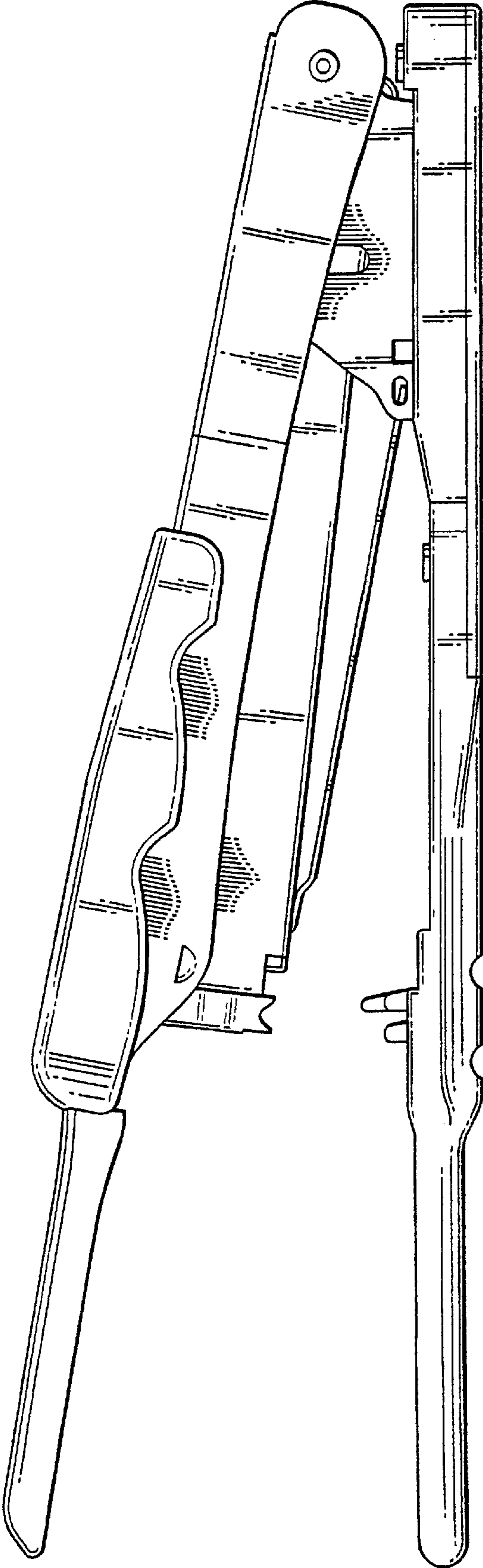


Fig. 3

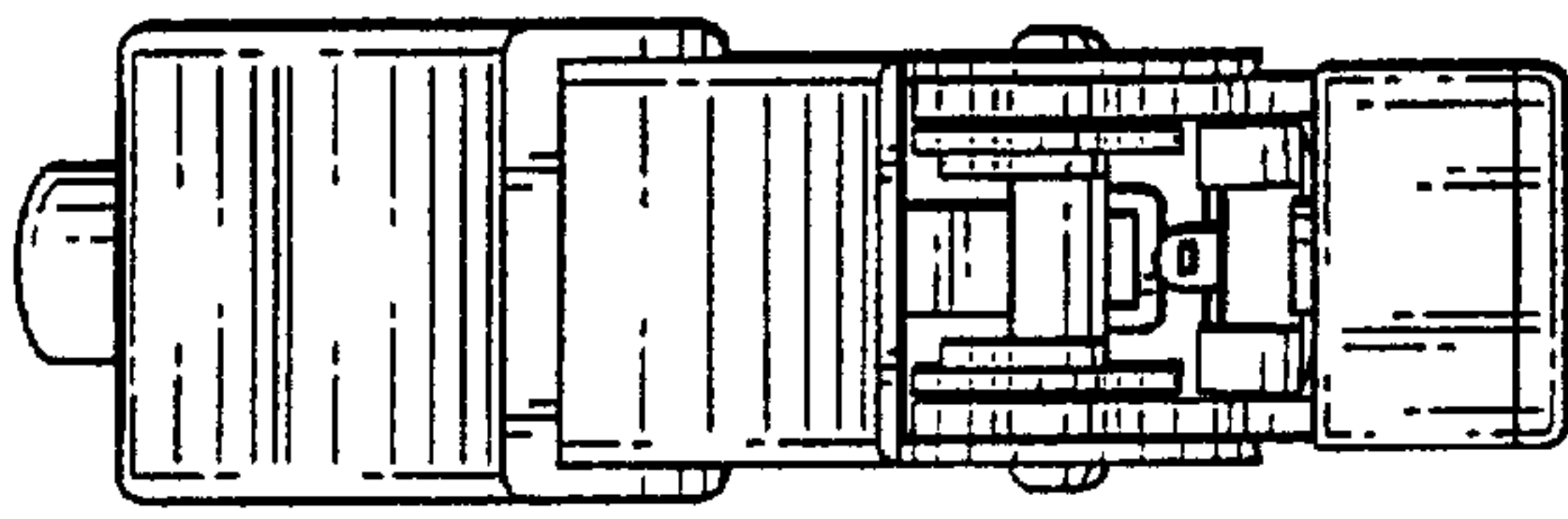


Fig. 4

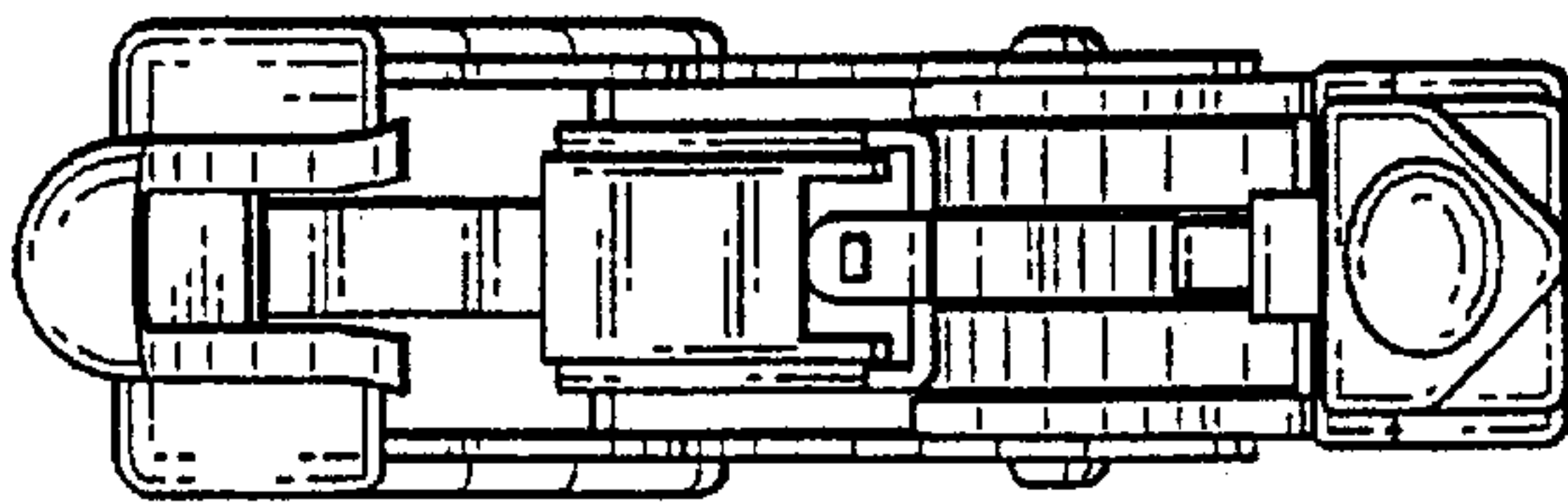


Fig. 5



Fig. 6