

US00D542966S

(12) **United States Design Patent** (10) **Patent No.:** **US D542,966 S**
Tinen (45) **Date of Patent:** **** May 15, 2007**

(54) **LIGHT FIXTURE**

(75) Inventor: **William J. Tinen**, Trabuco Canyon, CA (US)

(73) Assignee: **Minka Lighting, Inc.**, Corona, CA (US)

(**) Term: **14 Years**

(21) Appl. No.: **29/215,908**

(22) Filed: **Oct. 26, 2004**

(51) **LOC (8) Cl.** **26-99**

(52) **U.S. Cl.** **D26/129**

(58) **Field of Classification Search** D26/24,

D26/51, 59, 72, 85, 88, 128, 129, 113, 118,
D26/119, 123, 124; D23/377, 379, 370; 362/147,
362/253, 257, 326, 362, 363, 365, 373, 404

See application file for complete search history.

(56) **References Cited**

U.S. PATENT DOCUMENTS

D113,550 S	*	2/1939	Clark	D26/75
D420,166 S	*	2/2000	Tang	D26/128
D421,506 S	*	3/2000	Perenzin	D26/87
D422,372 S	*	4/2000	Perenzin	D26/73
D426,666 S	*	6/2000	Hsieh	D26/110
D430,330 S	*	8/2000	Hammar	D26/88
D431,090 S	*	9/2000	Hsieh	D26/85
D431,665 S	*	10/2000	Hsieh	D26/85
D439,006 S	*	3/2001	Yeh	D26/110
D443,716 S	*	6/2001	Vong et al.	D26/93
D447,265 S	*	8/2001	Orozco	D26/73
D459,466 S	*	6/2002	Hsieh	D23/411
D467,681 S	*	12/2002	Hsu	D26/129
D481,453 S		10/2003	Dye		

OTHER PUBLICATIONS

U.S. Appl. No. 29/215,841, William J. Tinen.
U.S. Appl. No. 29/215,854, William J. Tinen.
U.S. Appl. No. 29/215,859, William J. Tinen.

U.S. Appl. No. 29/215,907, William J. Tinen.
U.S. Appl. No. 29/215,909, William J. Tinen.
Casablanca Internet Catalog; The Wilderness, Model #89U89M; printed from www.ceilingfan.com; Aug. 30, 2004; The Wilderness Model; Casablanca Fan Company. 2003 New Products Jan. Update; Craftmade International, Inc.; Jan. 2003; Frontier Model; p. 2.
The Art of Air Management—MinkaAire 2004; Minka Lighting, Inc., U.S.A.; Jan. 2004; Taos Model; p. 32.
Casablanca Fan Company, The Wilderness Collection, Model 8604—89, The Wilderness Pendant, www.casablancafanco.com/product/period_decor/thewilderness_collection.html, 2005.

* cited by examiner

Primary Examiner—Freda S. Nunn
Assistant Examiner—Kevin K. Rudzinski
(74) *Attorney, Agent, or Firm*—Baker & McKenzie, LLP

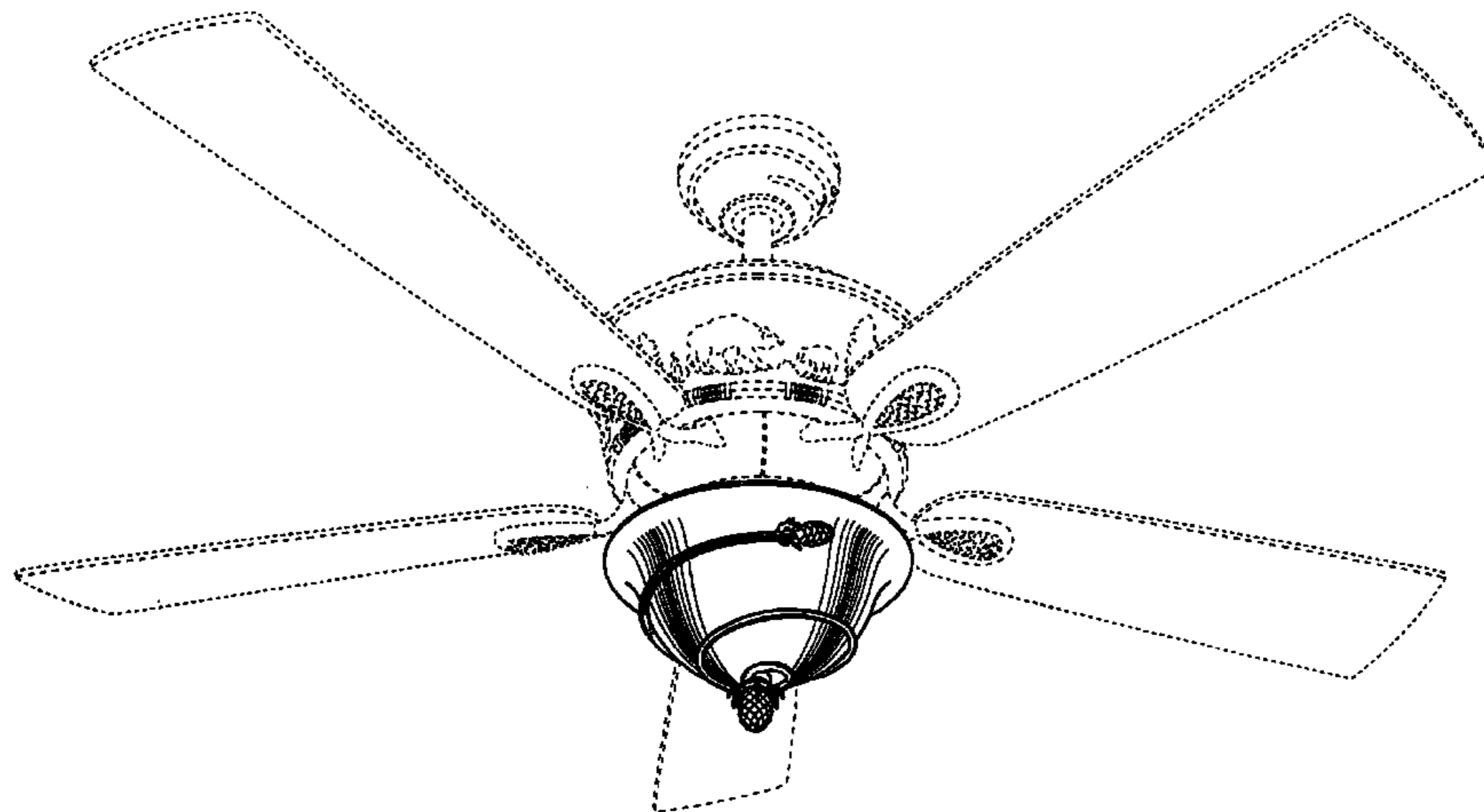
(57) **CLAIM**

The ornamental design for the light fixture, as shown and described.

DESCRIPTION

FIG. 1 is a bottom perspective view of a light fixture in accordance with my design shown in its environment; FIG. 2 is an enlarged bottom perspective view of the light fixture in accordance with my design shown in its environment; FIG. 3 is a bottom plan view of the light fixture in accordance with my design shown in its environment; FIG. 4 is an enlarged bottom plan view of the light fixture in accordance with my design shown in its environment; and, FIG. 5 is an enlarged front elevation view of the light fixture in accordance with my design shown in its environment. The broken lines showing environmental structure are for illustrative purposes and form no part of the claimed design.

1 Claim, 5 Drawing Sheets



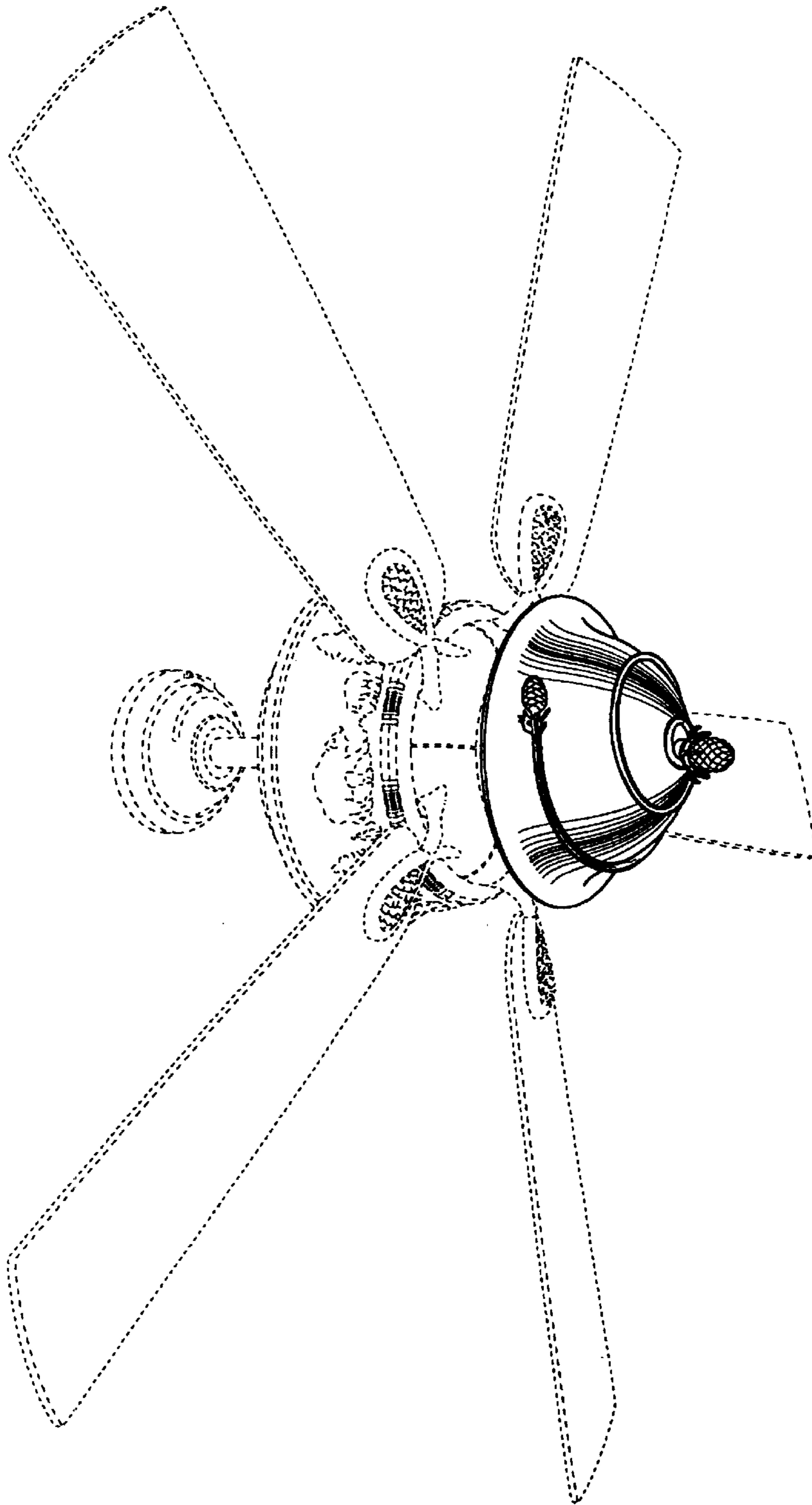


Fig. 1

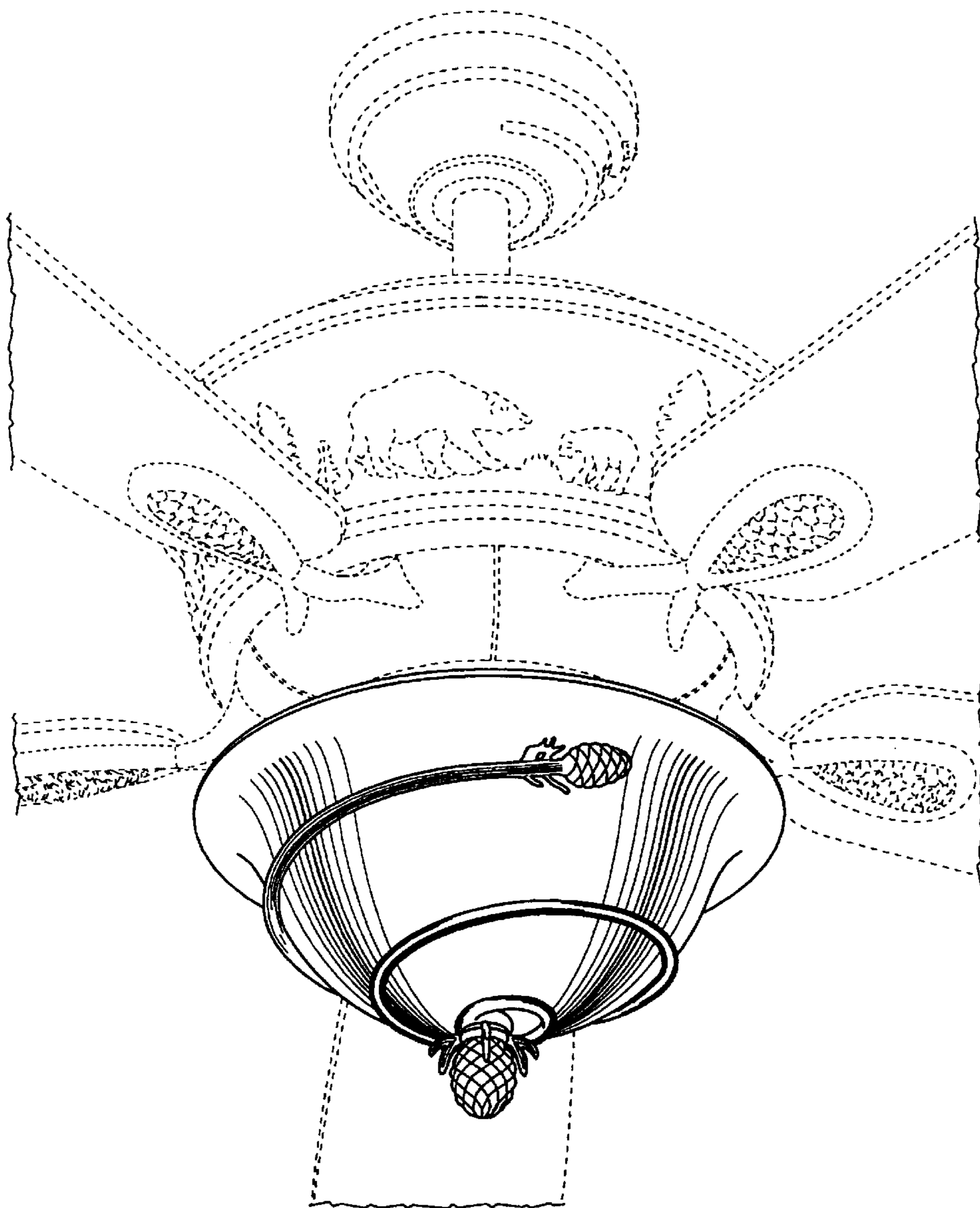


Fig.2

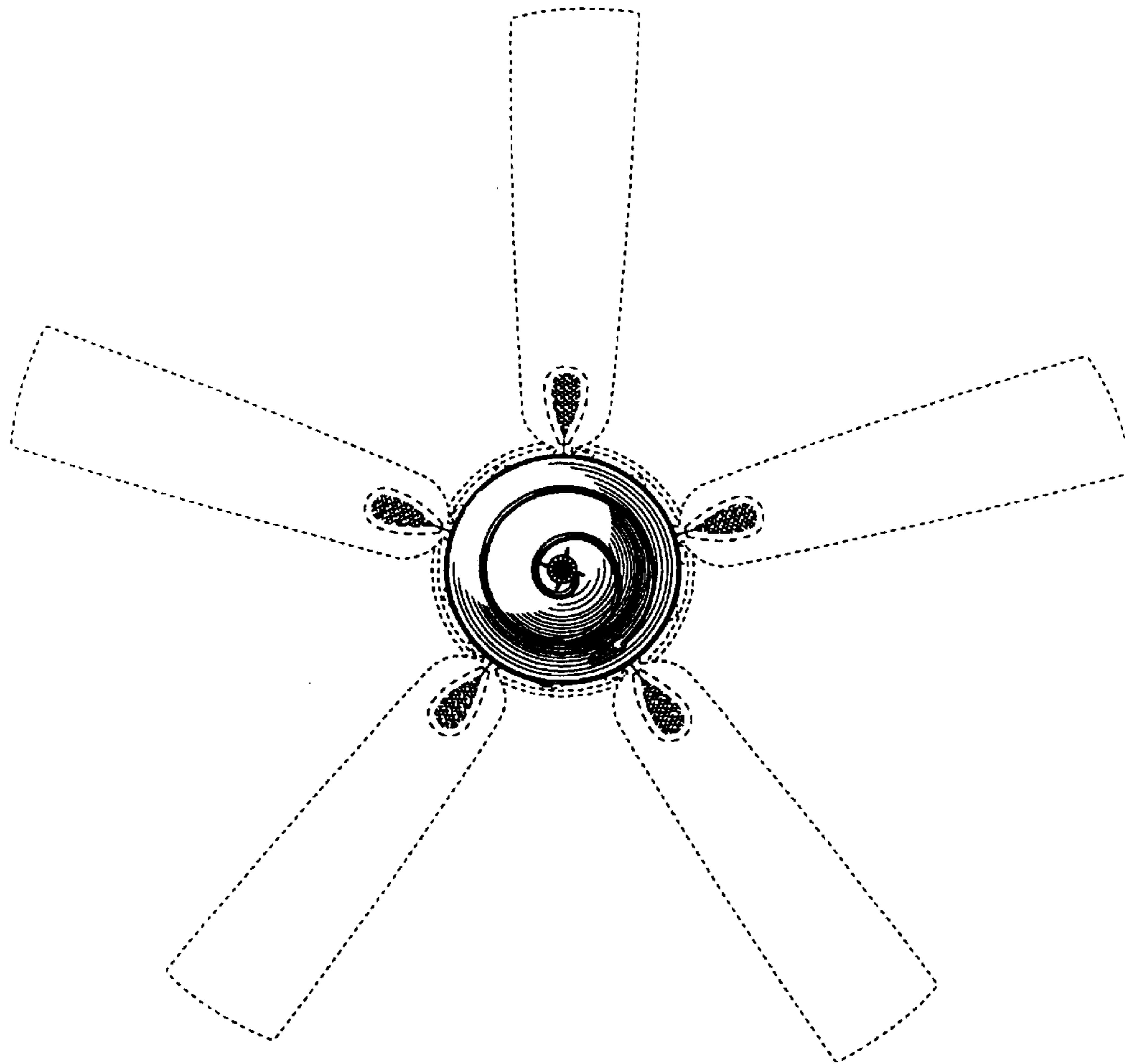


Fig.3

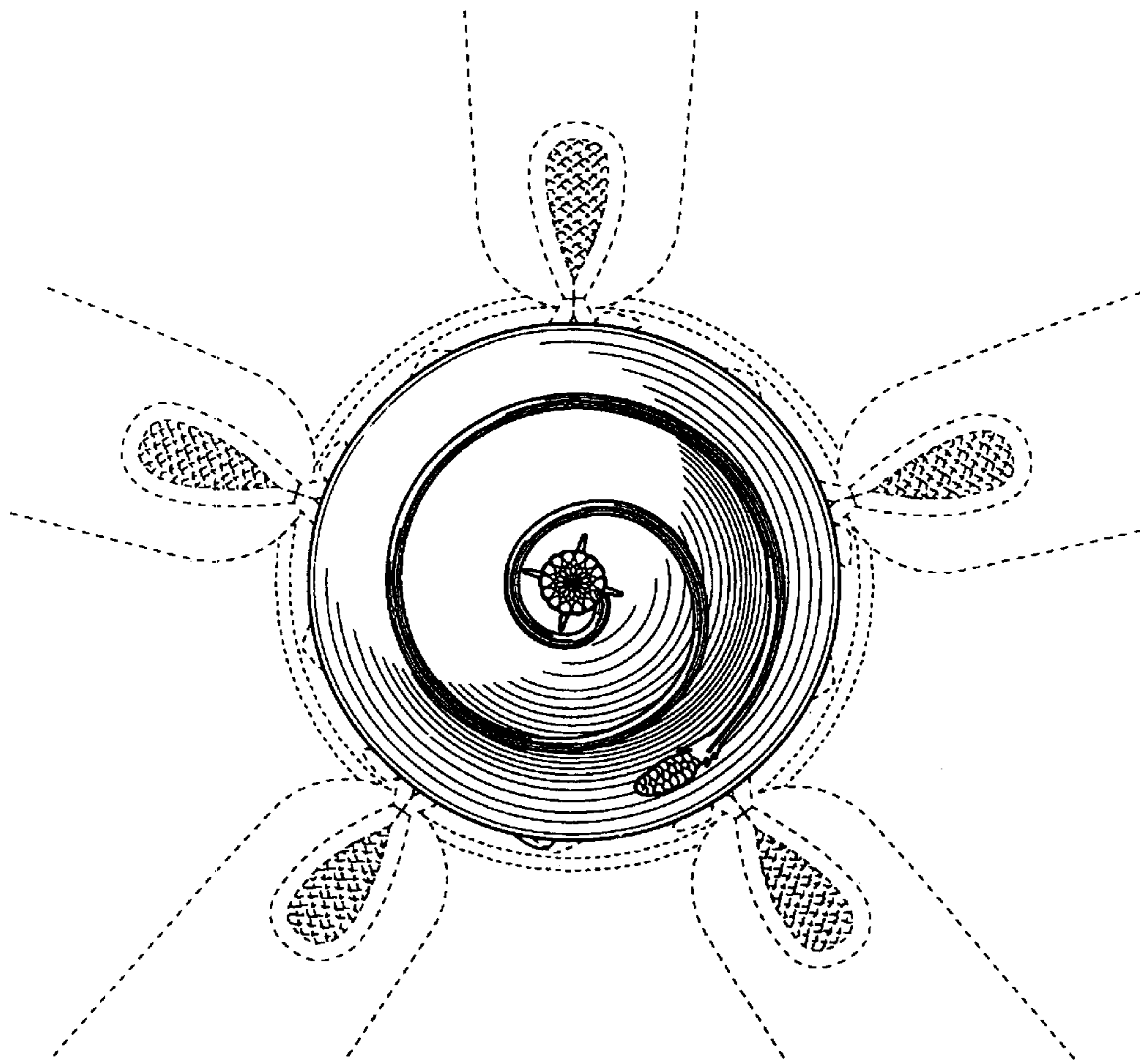


Fig.4

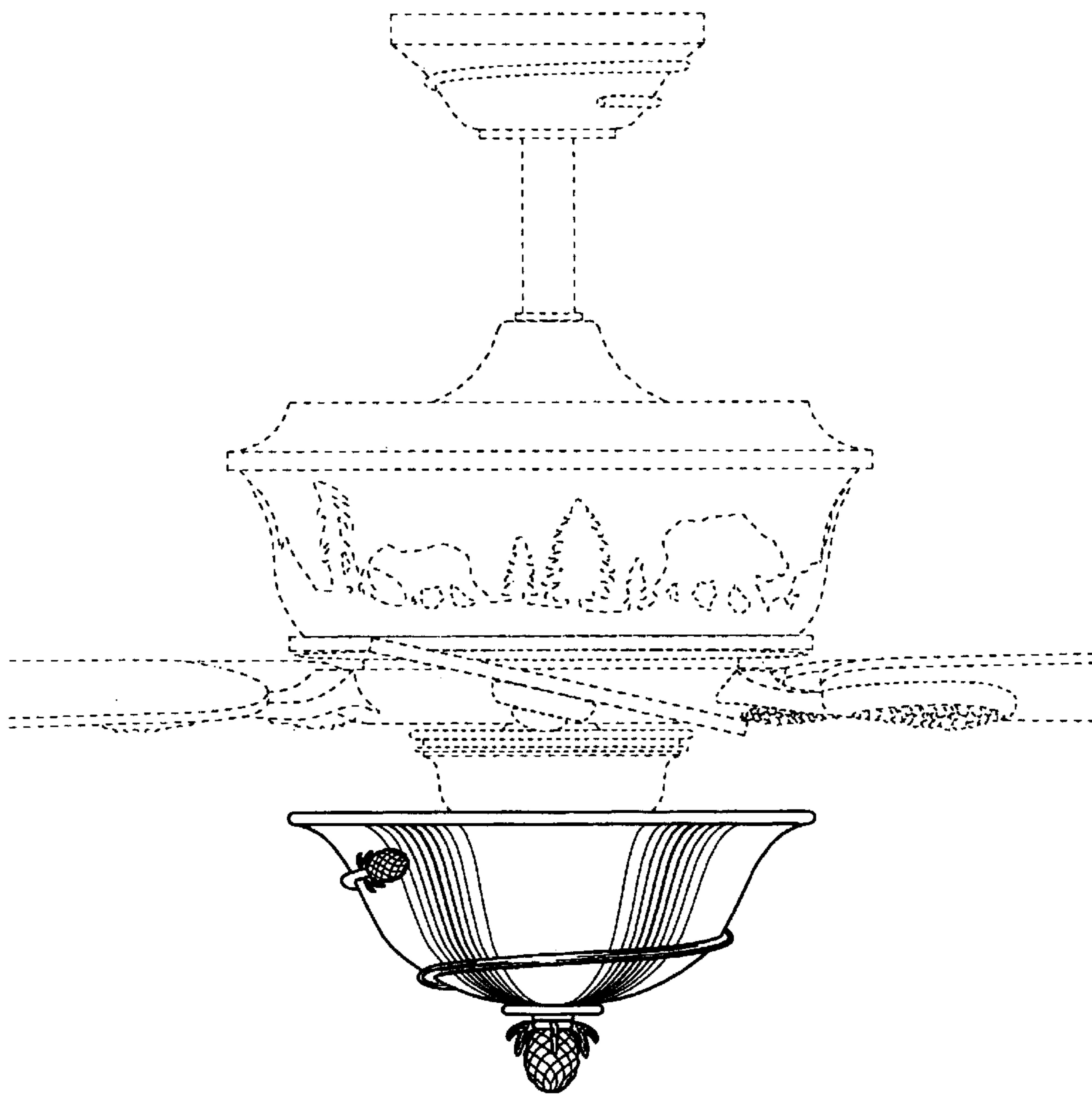


Fig.5