



US00D542962S

(12) **United States Design Patent**
Mellon

(10) **Patent No.:** **US D542,962 S**

(45) **Date of Patent:** **** May 15, 2007**

(54) **ADJUSTABLE TIKI LANTERN ARM**

(76) Inventor: **Robert P. Mellon**, P.O. Box 1736,
Cranberry Township, PA (US) 16066

(**) Term: **14 Years**

(21) Appl. No.: **29/254,558**

(22) Filed: **Feb. 24, 2006**

(51) **LOC (8) Cl.** **26-99**

(52) **U.S. Cl.** **D26/114; D26/60; D26/65**

(58) **Field of Classification Search** D26/37,
D26/43, 44, 60-63, 65, 39, 51, 8, 114, 116;
362/98, 99, 109-114, 191, 197, 198, 287,
362/427, 396, 431, 161, 415, 810; 431/146,
431/320; 248/312.1; D6/535

See application file for complete search history.

(56) **References Cited**

U.S. PATENT DOCUMENTS

D15,206 S	*	8/1884	Goodwin	D26/8
D57,989 S	*	5/1921	Mosgrove	D6/535
D147,900 S	*	11/1947	Fanelli	D26/60
2,842,658 A	*	7/1958	Reachi	362/161
3,558,871 A	*	1/1971	Rogers	362/161
4,191,350 A	*	3/1980	Ormond	248/292.13
5,474,273 A	*	12/1995	Vinal	248/311.2
D383,235 S	*	9/1997	Murch, Sr.	D26/60
D431,668 S	*	10/2000	Chandaria	D26/114
6,217,316 B1	*	4/2001	Yeh	431/343

2001/0024369 A1 * 9/2001 Kitchin 362/477
2002/0075669 A1 * 6/2002 Lin et al. 362/85

* cited by examiner

Primary Examiner—Clare E Heflin

(74) *Attorney, Agent, or Firm*—Alicia M. Passerin, Esq.;
Cohen & Grigsby, P.C.

(57) **CLAIM**

The ornamental design for an adjustable tiki lantern arm,
substantially as shown and described.

DESCRIPTION

FIG. 1 is a perspective view of the adjustable tiki lantern arm
embodying my new design and shown attached to a rail.

FIG. 2 is a front view of the adjustable tiki lantern arm
shown in FIG. 1.

FIG. 3 is a left side view of the adjustable tiki lantern arm
shown in FIG. 1.

FIG. 4 is a rear view of the adjustable tiki lantern arm shown
in FIG. 1.

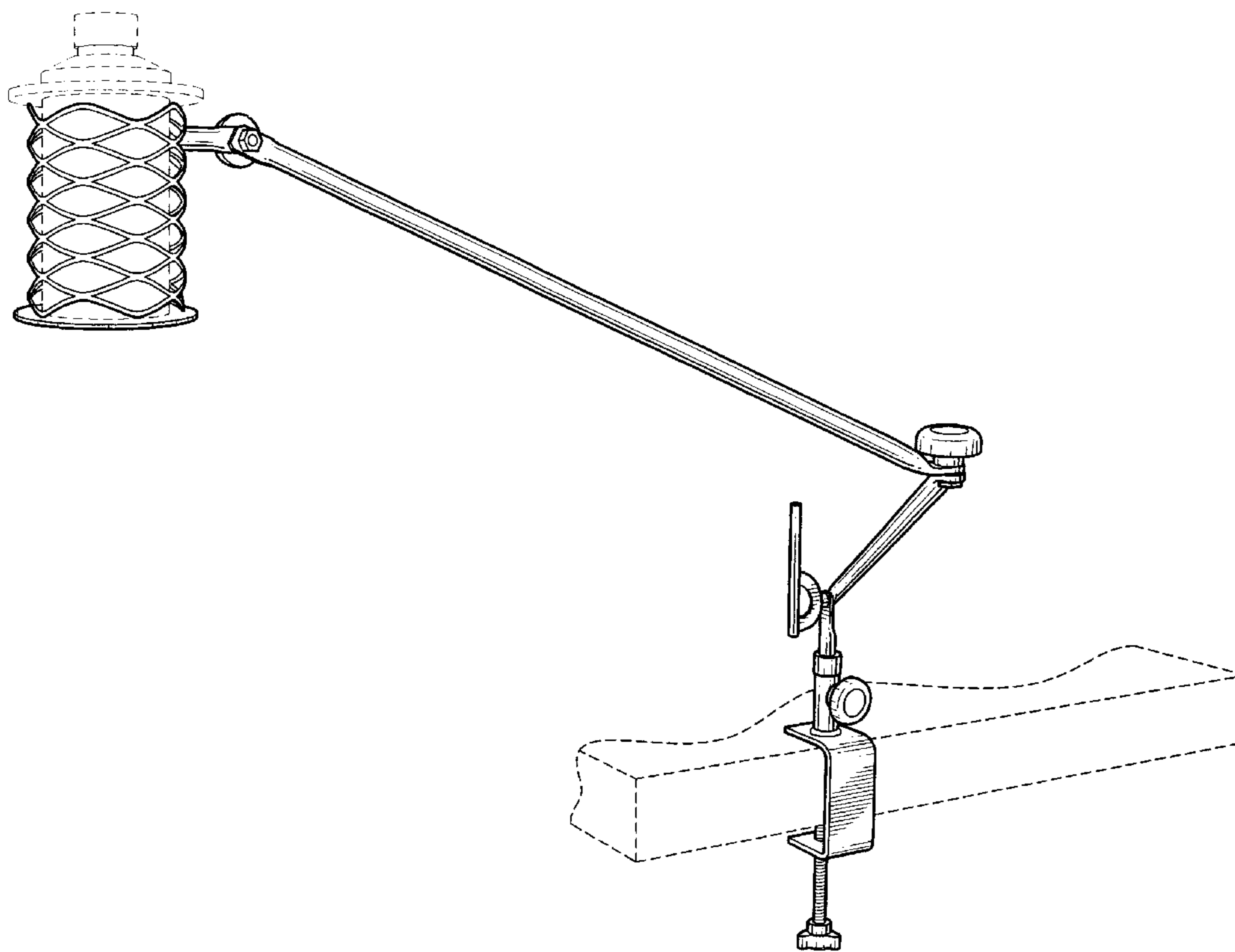
FIG. 5 is a right side view of the adjustable tiki lantern arm
shown in FIG. 1.

FIG. 6 is a top view of the adjustable tiki lantern arm shown
in FIG. 1; and,

FIG. 7 is a bottom view of the adjustable tiki lantern arm
shown in FIG. 1.

The broken lines shown on the drawings are for illustrative
purposes only and form no part of the claimed design.

1 Claim, 7 Drawing Sheets



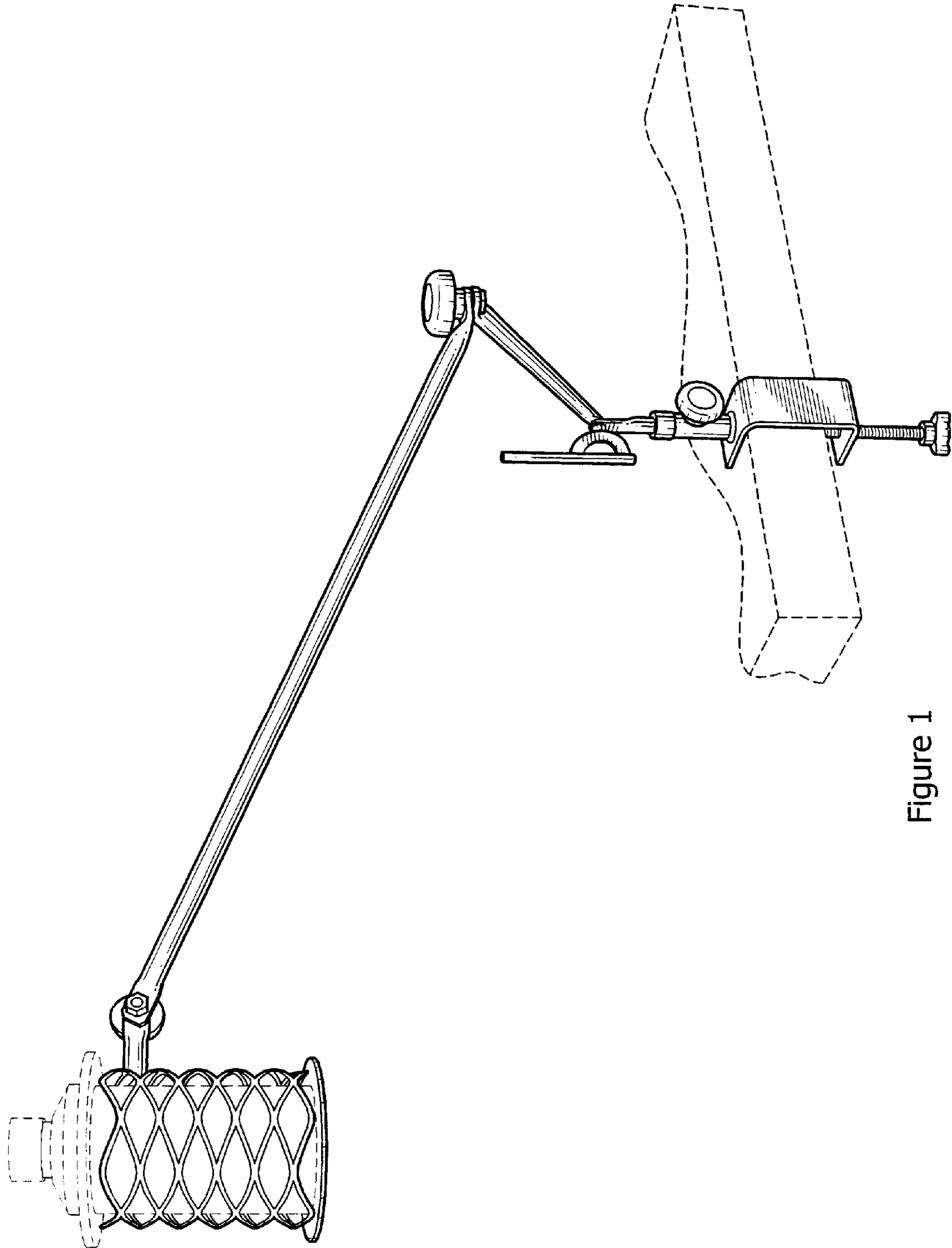


Figure 1

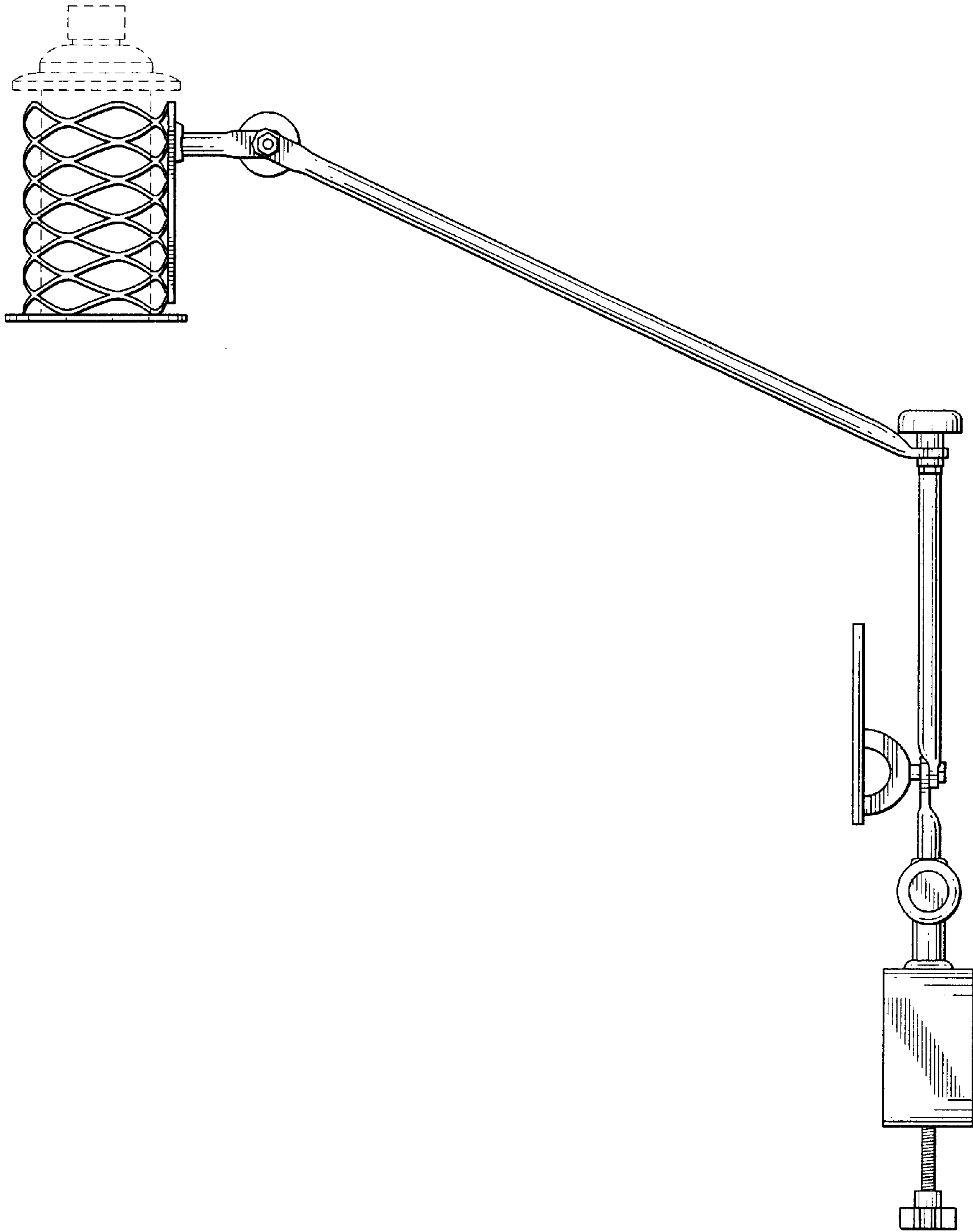


Figure 2

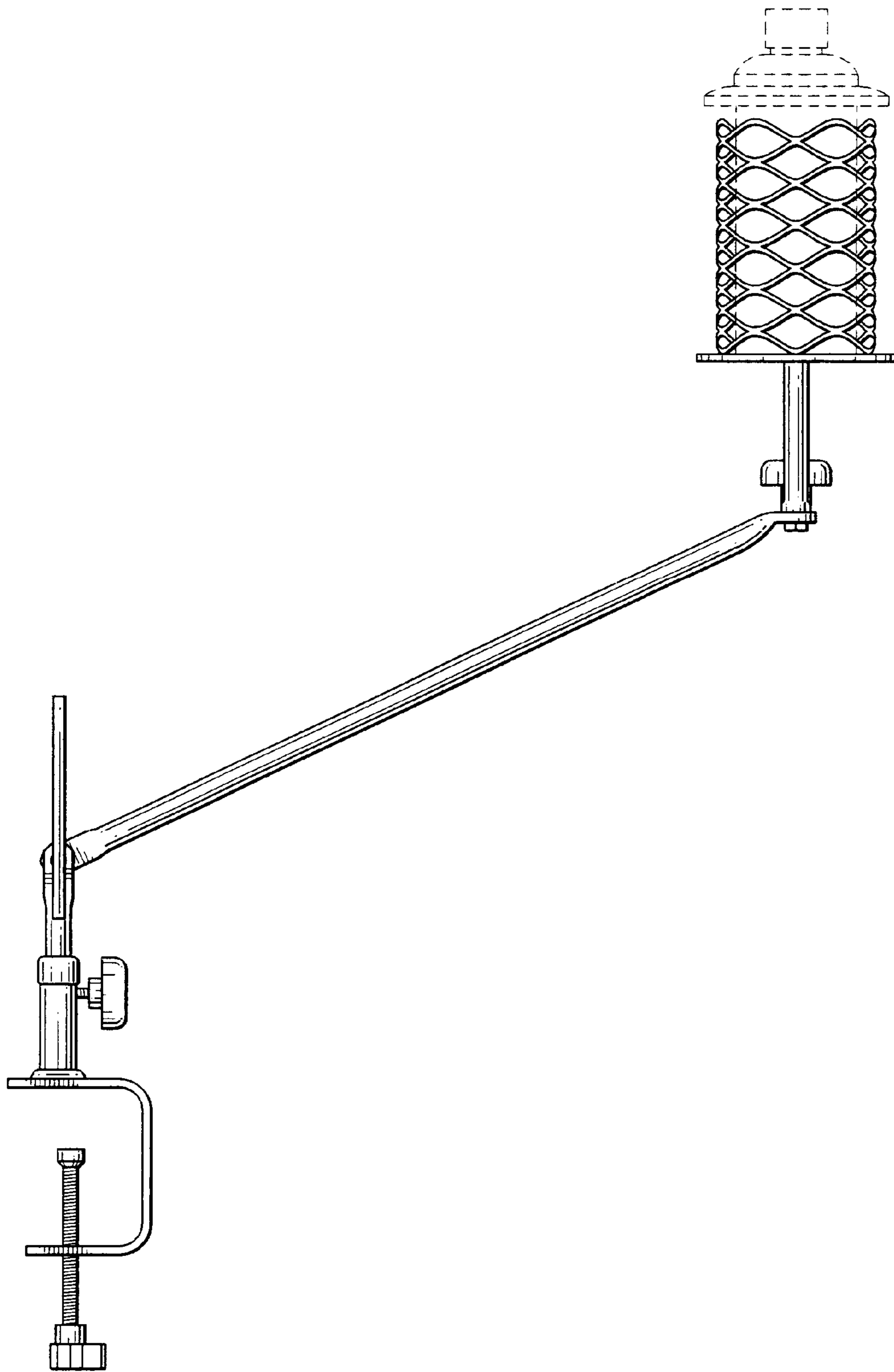


Figure 3

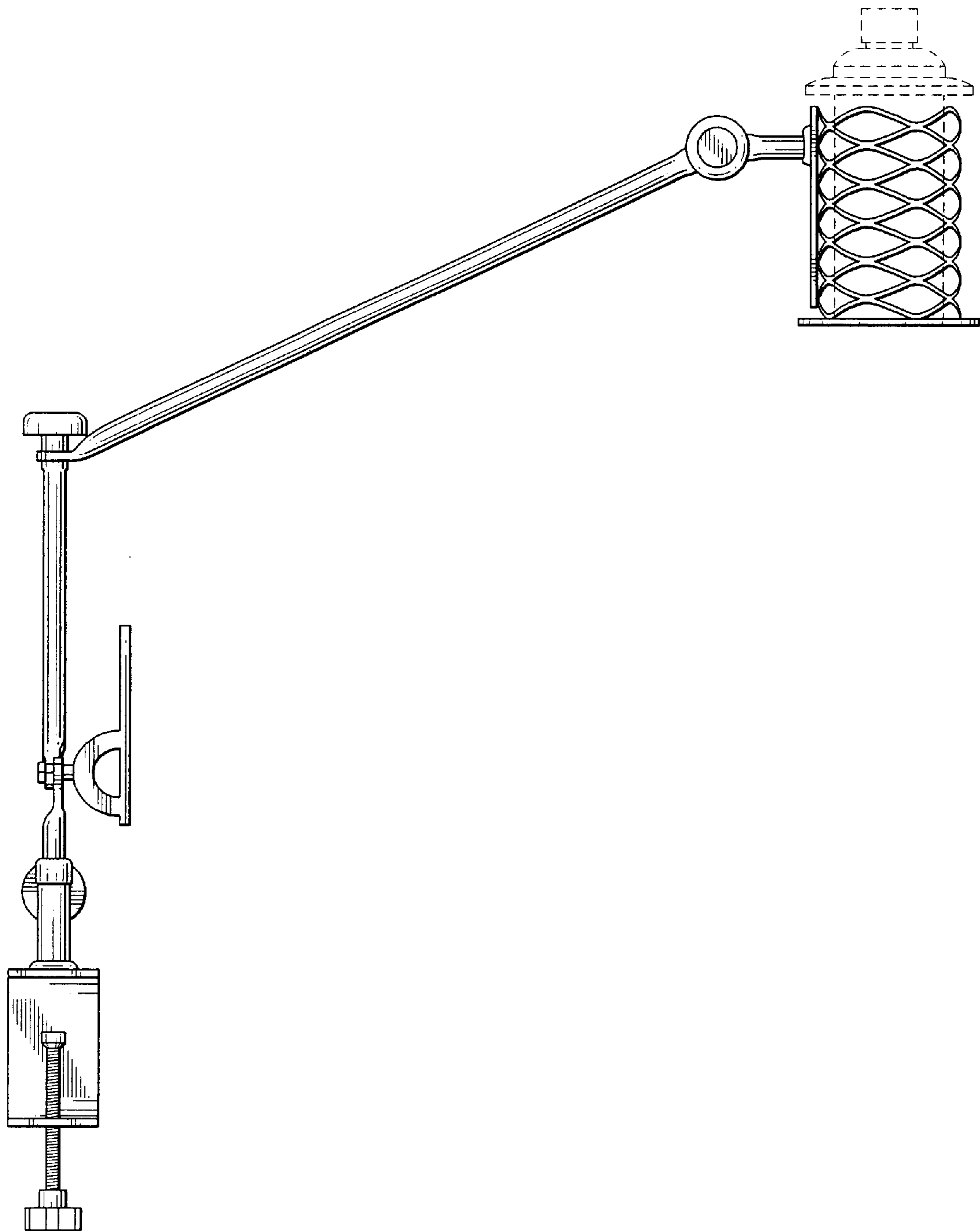


Figure 4

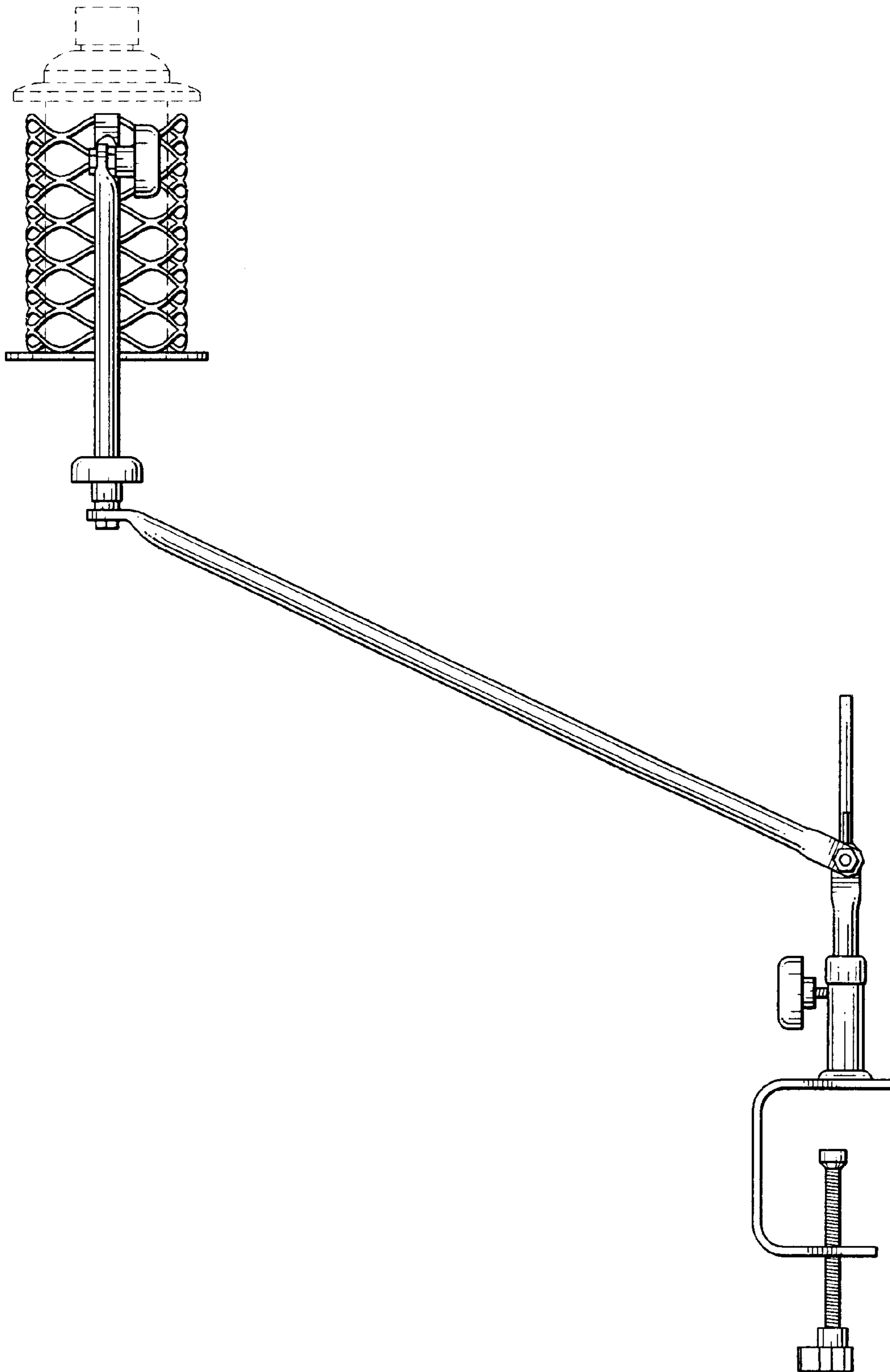


Figure 5

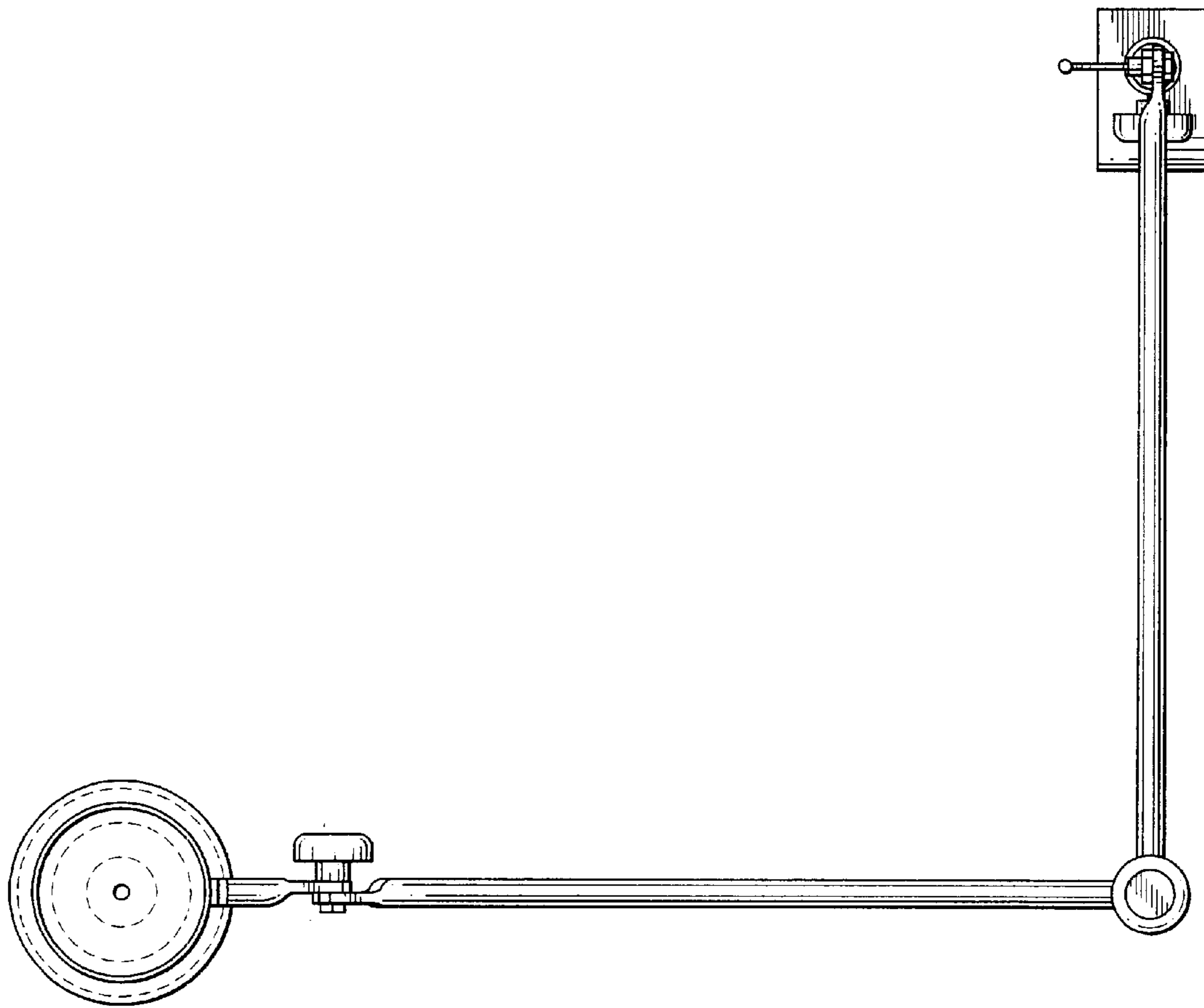


Figure 6

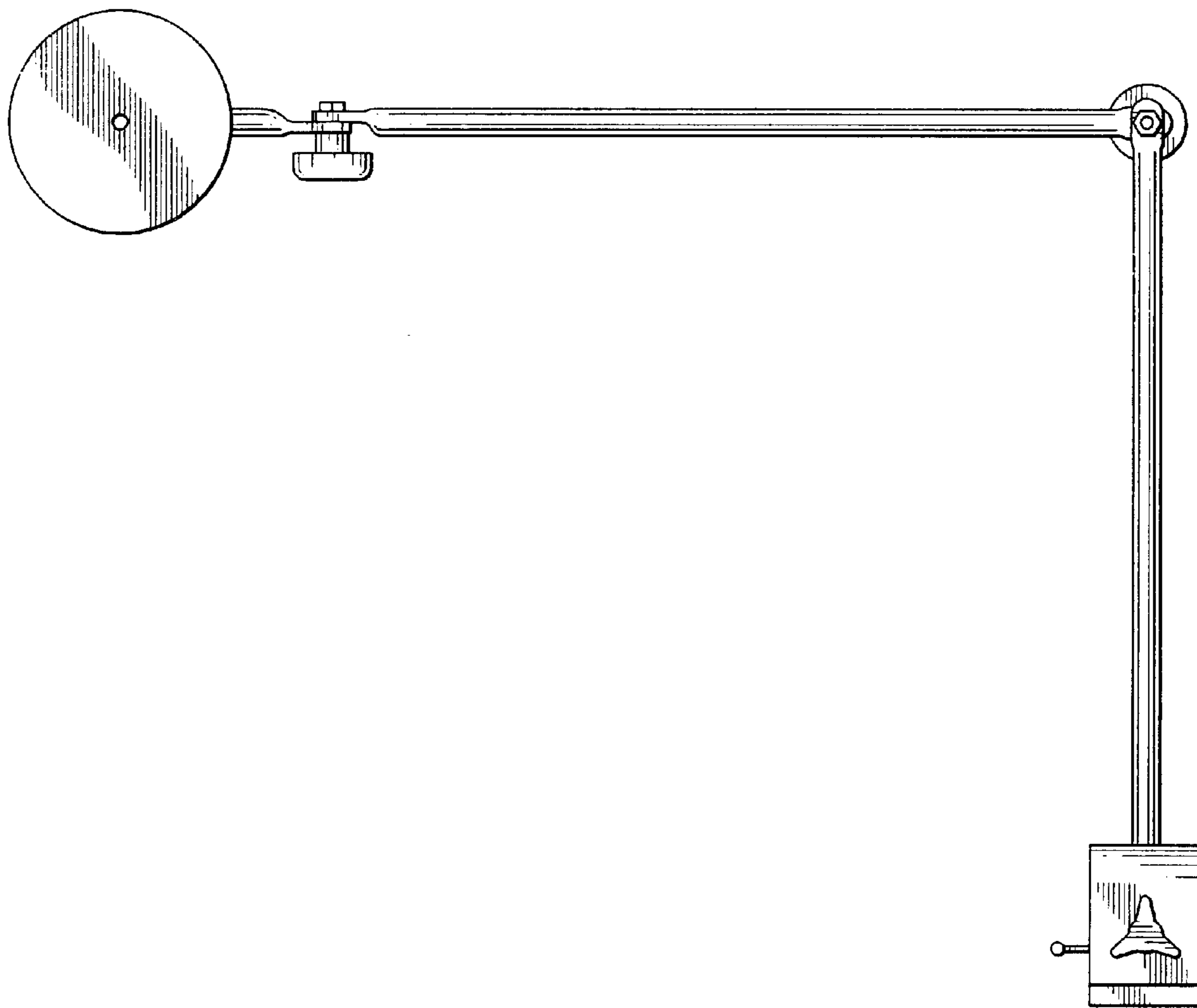


Figure 7