

US00D542961S

(12) **United States Design Patent**
Mellon

(10) **Patent No.:** **US D542,961 S**

(45) **Date of Patent:** **** May 15, 2007**

(54) **TIKI LANTERN ARM**

(76) **Inventor:** **Robert P. Mellon**, P.O. Box 1736,
Cranberry Township, PA (US) 16066

(**) **Term:** **14 Years**

(21) **Appl. No.:** **29/254,557**

(22) **Filed:** **Feb. 24, 2006**

(51) **LOC (8) Cl.** **26-99**

(52) **U.S. Cl.** **D26/114; D26/60**

(58) **Field of Classification Search** D26/37,
D26/43, 44, 60-63, 65, 39, 51, 8, 114, 116;
362/98, 99, 109-114, 191, 197, 198, 287,
362/427, 396, 431, 161, 415, 810; 431/146,
431/320; 248/312.1; D6/535

See application file for complete search history.

(56) **References Cited**

U.S. PATENT DOCUMENTS

D15,206	S	*	8/1884	Goodwin	D26/8
D57,989	S	*	5/1921	Mosgrove	D6/535
2,315,803	A	*	4/1943	Lipari	431/291
2,842,658	A	*	7/1958	Reachi	362/161
3,558,871	A	*	1/1971	Rogers	362/161
5,474,273	A	*	12/1995	Vinal	248/311.2
D385,052	S	*	10/1997	Huang	D26/60
6,045,017	A	*	4/2000	Connell	224/148.7
D428,666	S	*	7/2000	Chandaria	D26/114
6,250,912	B1	*	6/2001	Widdowson	431/324

D455,849	S	*	4/2002	Yeh	D26/8
D464,447	S	*	10/2002	Yeh	D26/8
6,598,842	B1	*	7/2003	Yeh	248/231.71

* cited by examiner

Primary Examiner—Clare E Heflin

(74) *Attorney, Agent, or Firm*—Alicia M. Passerin, Esq.;
Cohen & Grigsby, P.C.

(57) **CLAIM**

The ornamental design for a tiki lantern arm, substantially as shown and described.

DESCRIPTION

FIG. 1 is a perspective view of the tiki lantern arm embodying my new design and shown attached to a rail.

FIG. 2 is a front view of the tiki lantern arm shown in FIG. 1.

FIG. 3 is a left side view of the tiki lantern arm shown in FIG. 1.

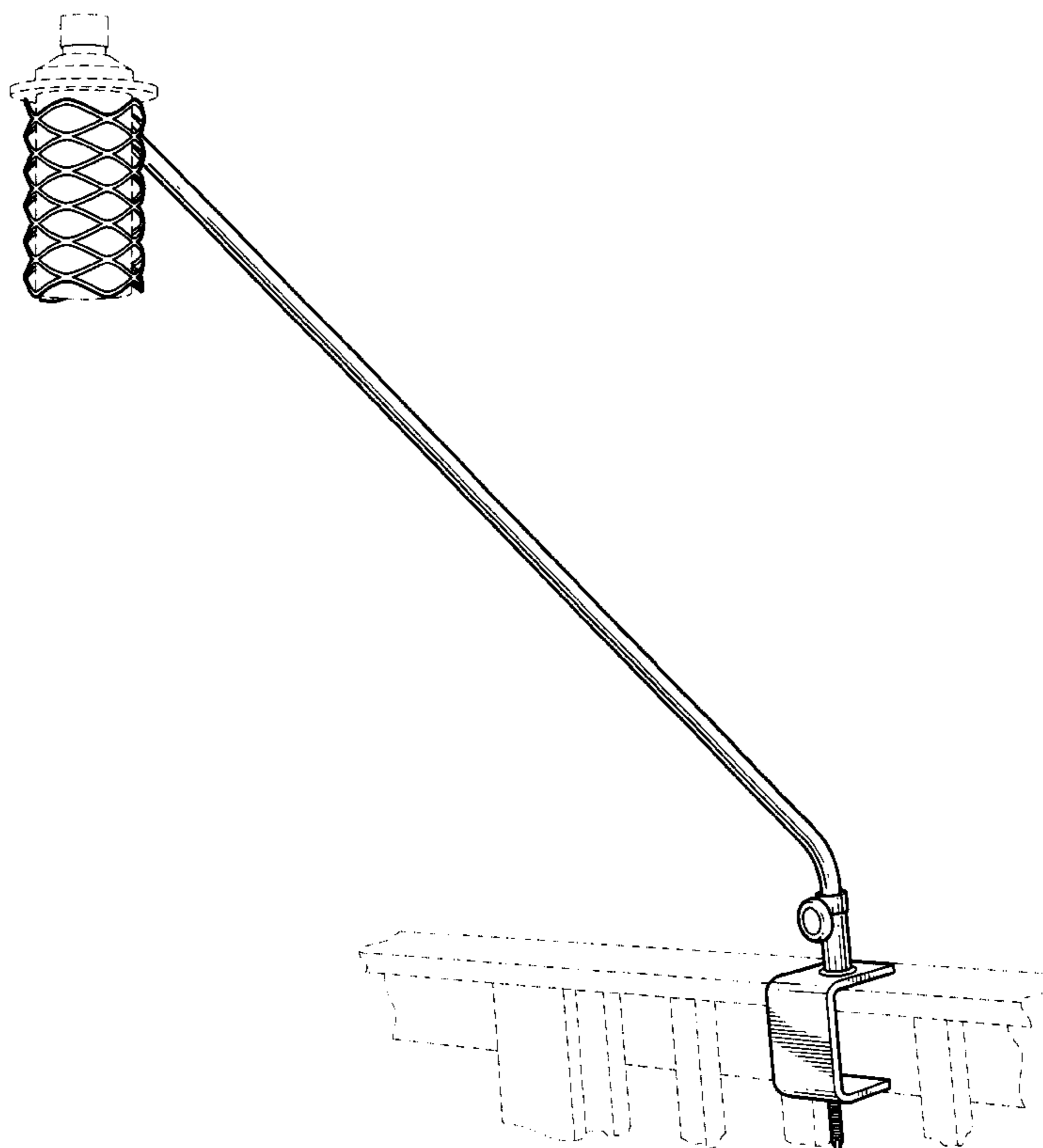
FIG. 4 is a rear view of the tiki lantern arm shown in FIG. 1.

FIG. 5 is a top view of the tiki lantern arm shown in FIG. 1; and,

FIG. 6 is a bottom view of the tiki lantern arm shown in FIG. 1.

The broken lines shown on the drawings are for illustrative purposes only and form no part of the claimed design.

1 Claim, 4 Drawing Sheets



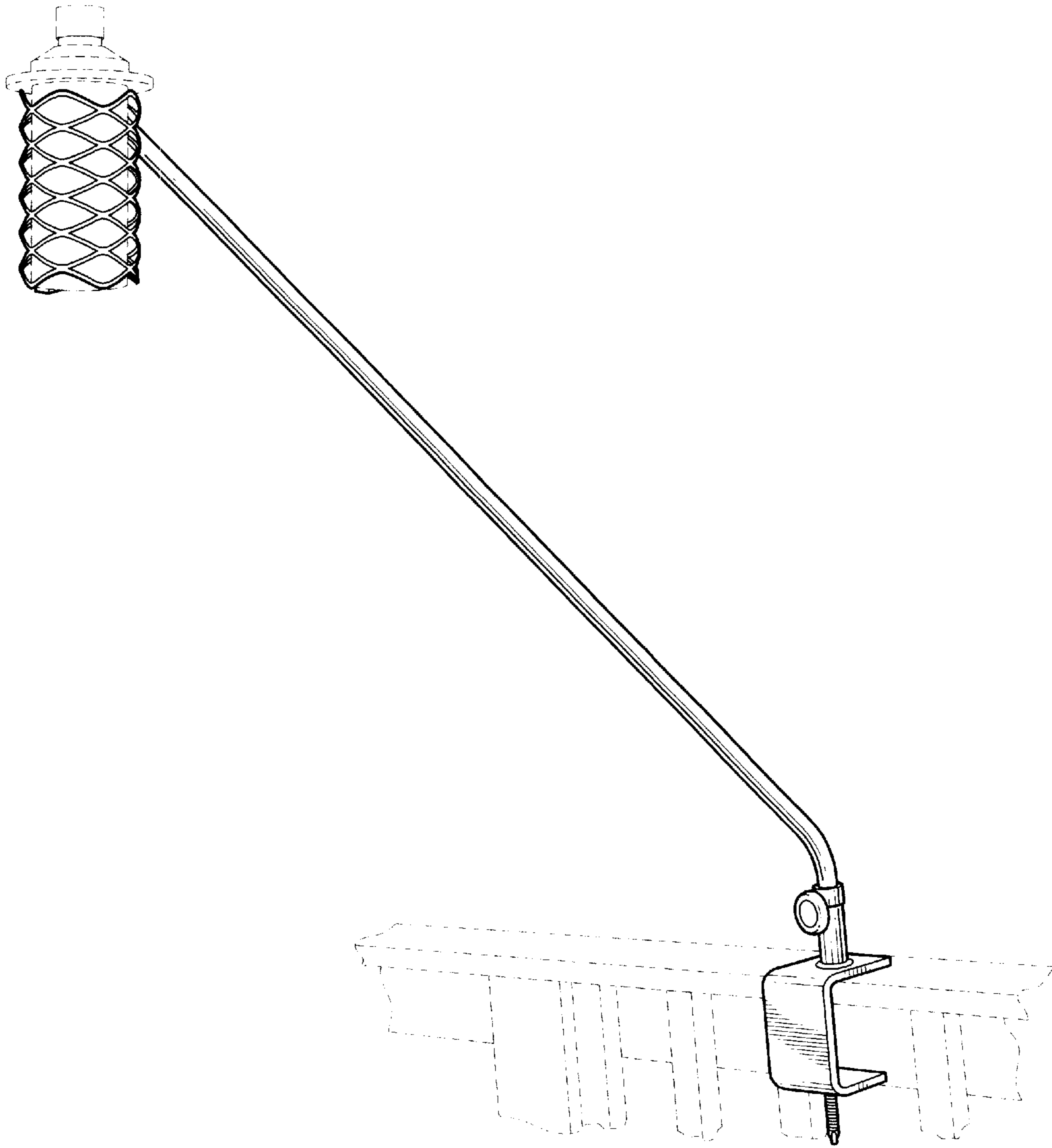


FIG. 1

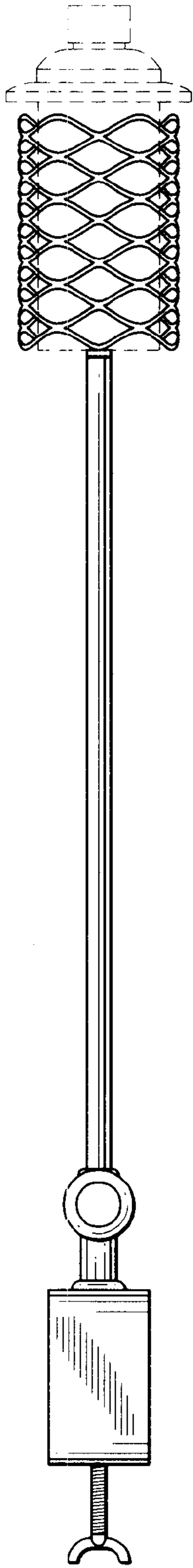


FIG. 2

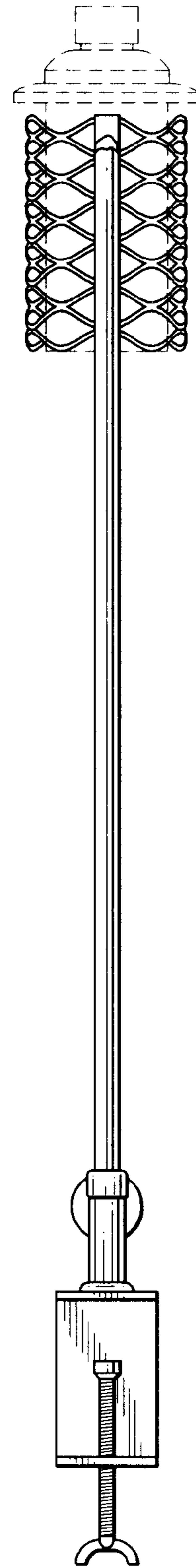


FIG. 4

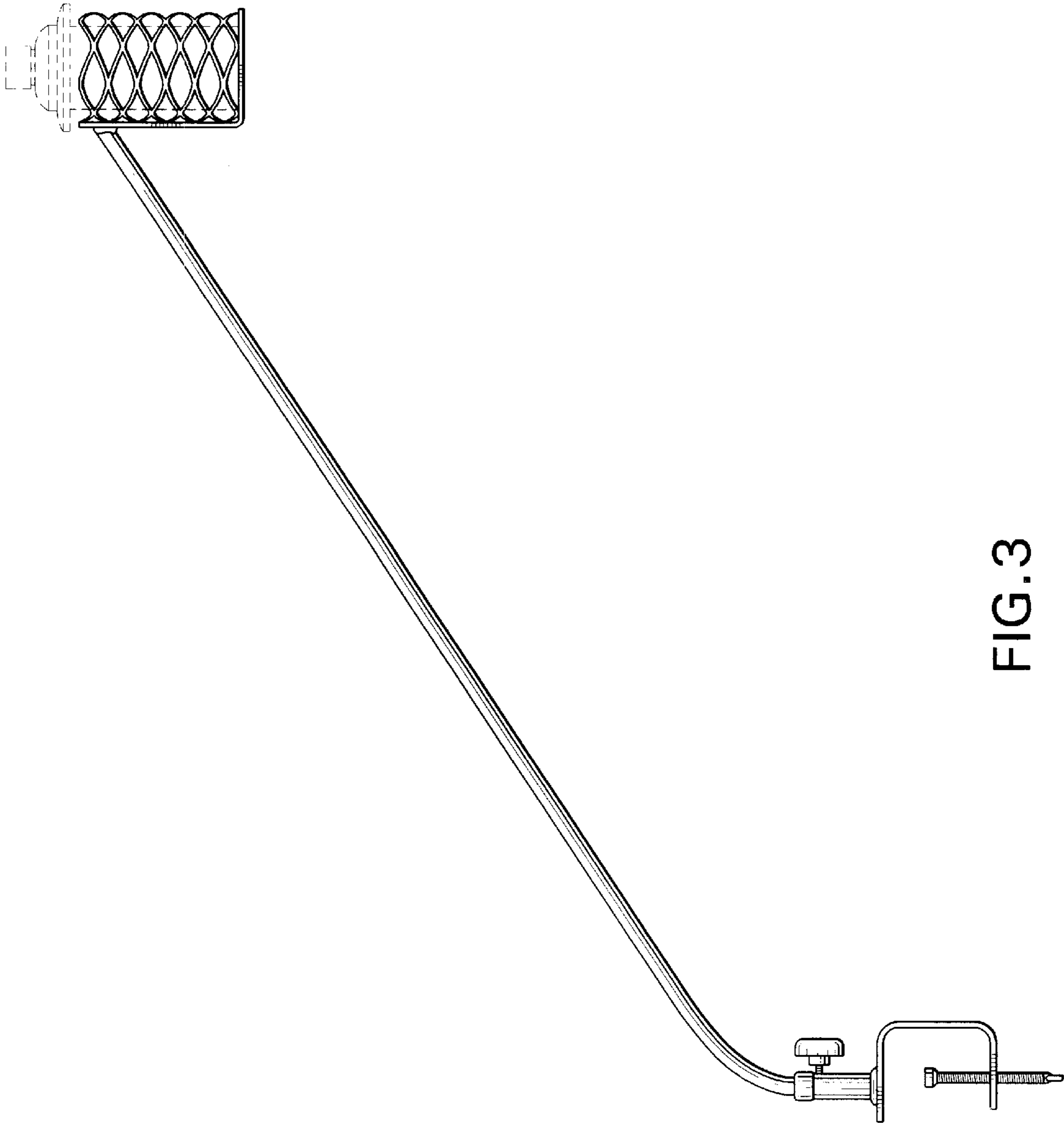


FIG.3

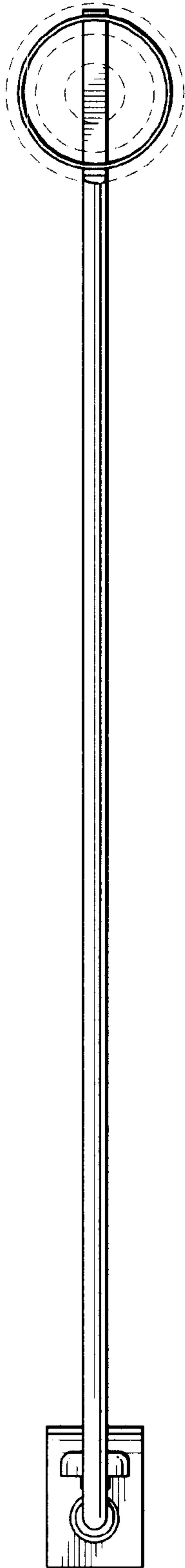


FIG. 5

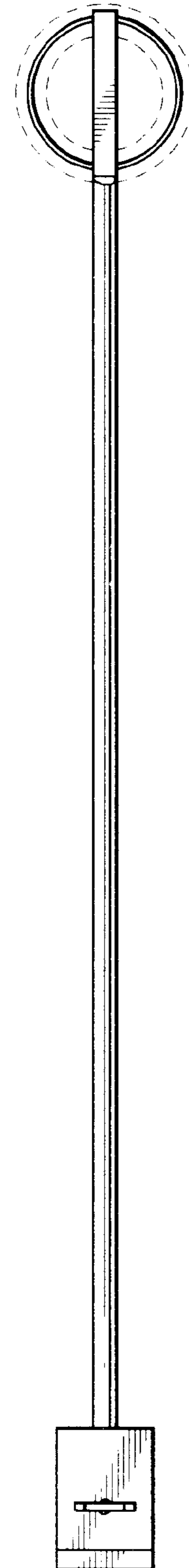


FIG. 6