



US00D542959S

(12) **United States Design Patent**  
**Yao**

(10) **Patent No.:** **US D542,959 S**

(45) **Date of Patent:** **\*\* May 15, 2007**

(54) **SOLAR SPOT LIGHT**

(76) Inventor: **Yi Hui Yao**, No. 18, Ke Ji East Road,  
High & New Technology Development  
Zone, Huanghe Road, Shantou,  
Guangdong (CN)

(\*\*) Term: **14 Years**

(21) Appl. No.: **29/212,863**

(22) Filed: **Sep. 10, 2004**

(51) **LOC (8) Cl.** ..... **26-05**

(52) **U.S. Cl.** ..... **D26/68; D26/63**

(58) **Field of Classification Search** ..... D26/61,  
D26/63, 67, 68, 72; 362/96, 199, 153, 267,  
362/311, 359, 371, 375, 427

See application file for complete search history.

(56) **References Cited**

U.S. PATENT DOCUMENTS

3,104,064	A	*	9/1963	Bellek	.....	362/267
5,086,379	A	*	2/1992	Denison et al.	.....	362/145
5,584,574	A	*	12/1996	Haddad	.....	362/359
5,651,606	A	*	7/1997	Krogman	.....	362/96
D413,996	S	*	9/1999	Andrus et al.	.....	D26/68
D414,579	S	*	9/1999	Denison et al.	.....	D26/68
5,988,833	A	*	11/1999	Giese et al.	.....	362/287
D417,519	S	*	12/1999	Cutler	.....	D26/63
6,612,720	B1	*	9/2003	Beadle	.....	362/287

\* cited by examiner

Primary Examiner—Clare E Heflin

(74) *Attorney, Agent, or Firm*—William F. Pinsak

(57) **CLAIM**

The ornamental design of the solar spot light, as shown and described.

**DESCRIPTION**

FIG. 1 is a right side elevational view of the solar spot light in accordance with the present invention;

FIG. 2 is an elevational view of the front side of the solar spot light of the present invention;

FIG. 3 is a left side elevational view of the solar spot light of the present invention;

FIG. 4 is an elevational view of the rear of the solar spot light of the present invention;

FIG. 5 is a plan view illustrating the bottom surface of the solar spot light of the present invention;

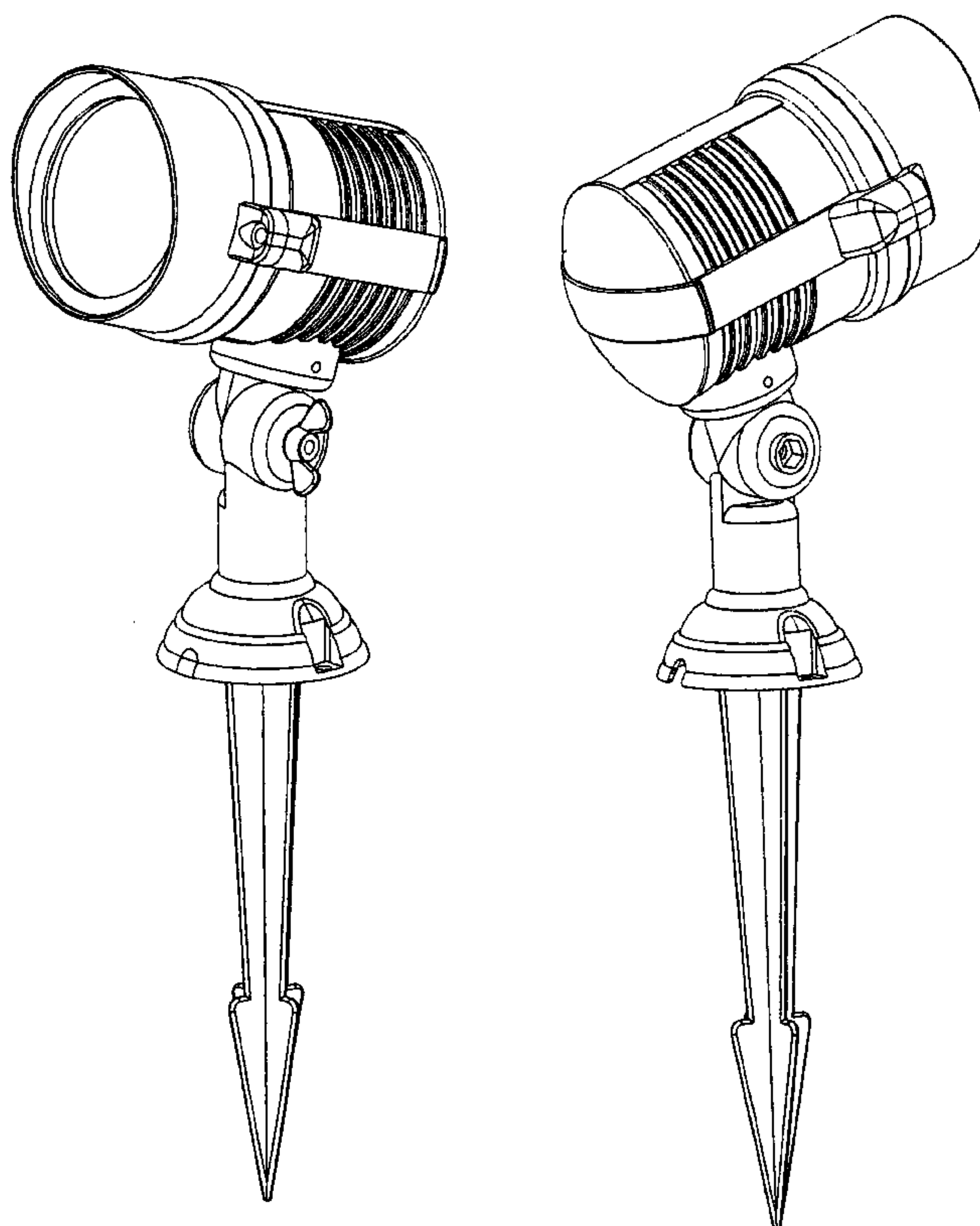
FIG. 6 is a plan view illustrating the top surface of the solar spot light of the present invention;

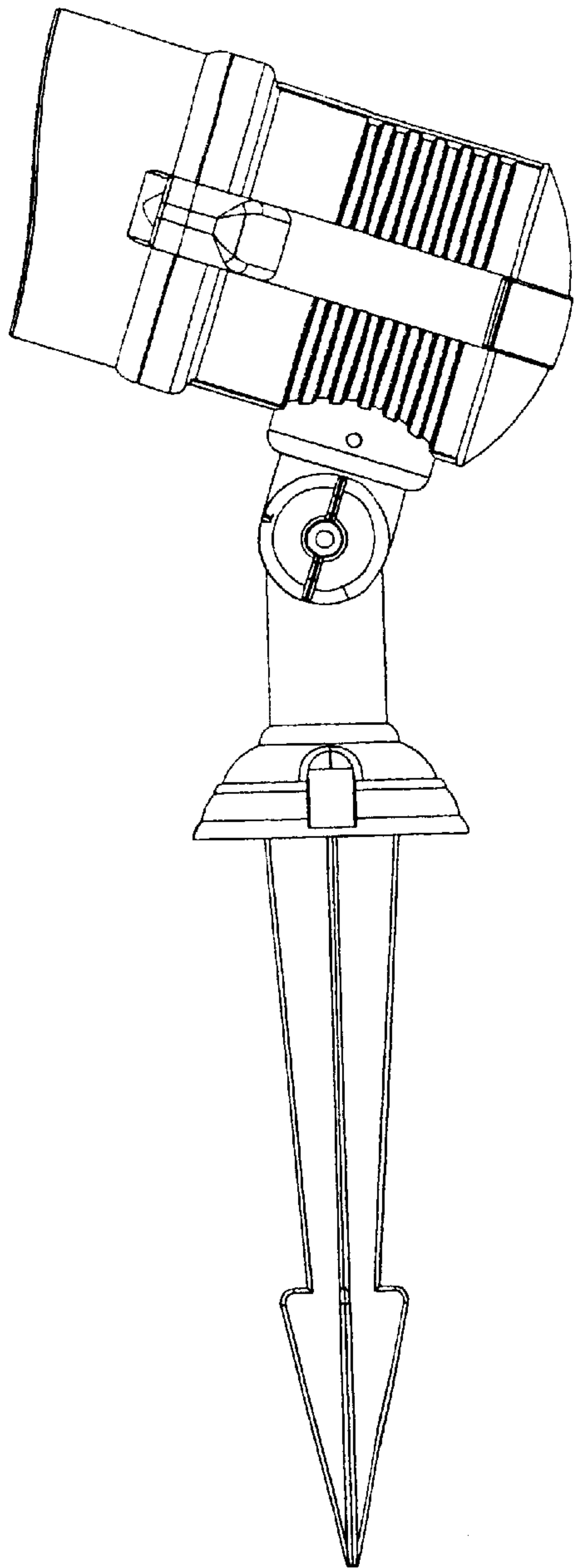
FIG. 7 is a perspective view of the right side of the solar spot light in accordance with the present invention;

FIG. 8 is a perspective view of the left side of the solar spot light of the present invention; and,

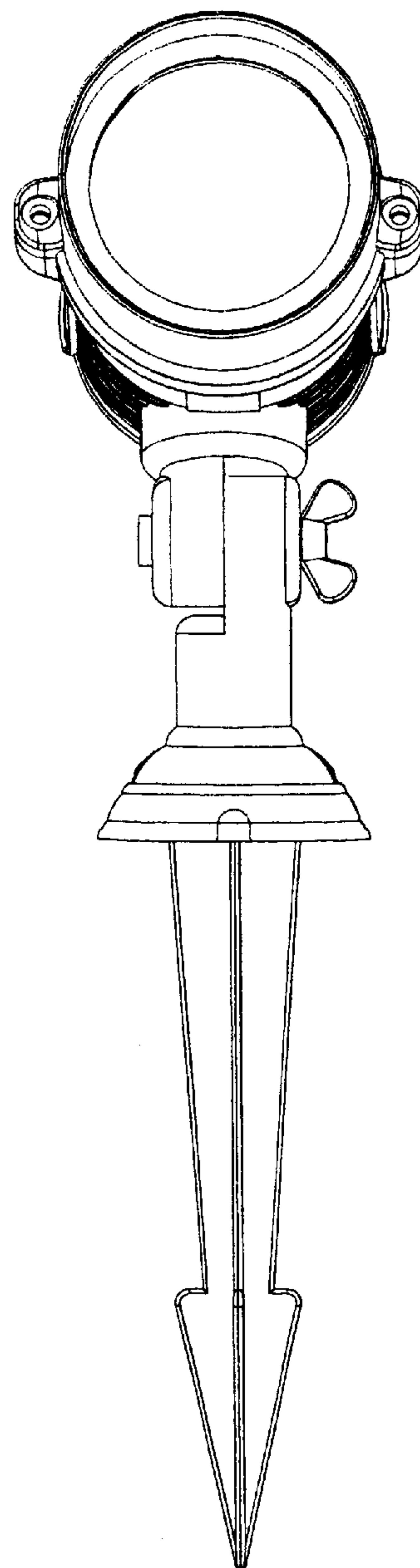
FIG. 9 is a perspective view of the solar spot light of the present invention in use with and attached to a solar panel. The broken lines shown on the drawings are for illustrative purposes only and form no part of the claimed design.

**1 Claim, 5 Drawing Sheets**

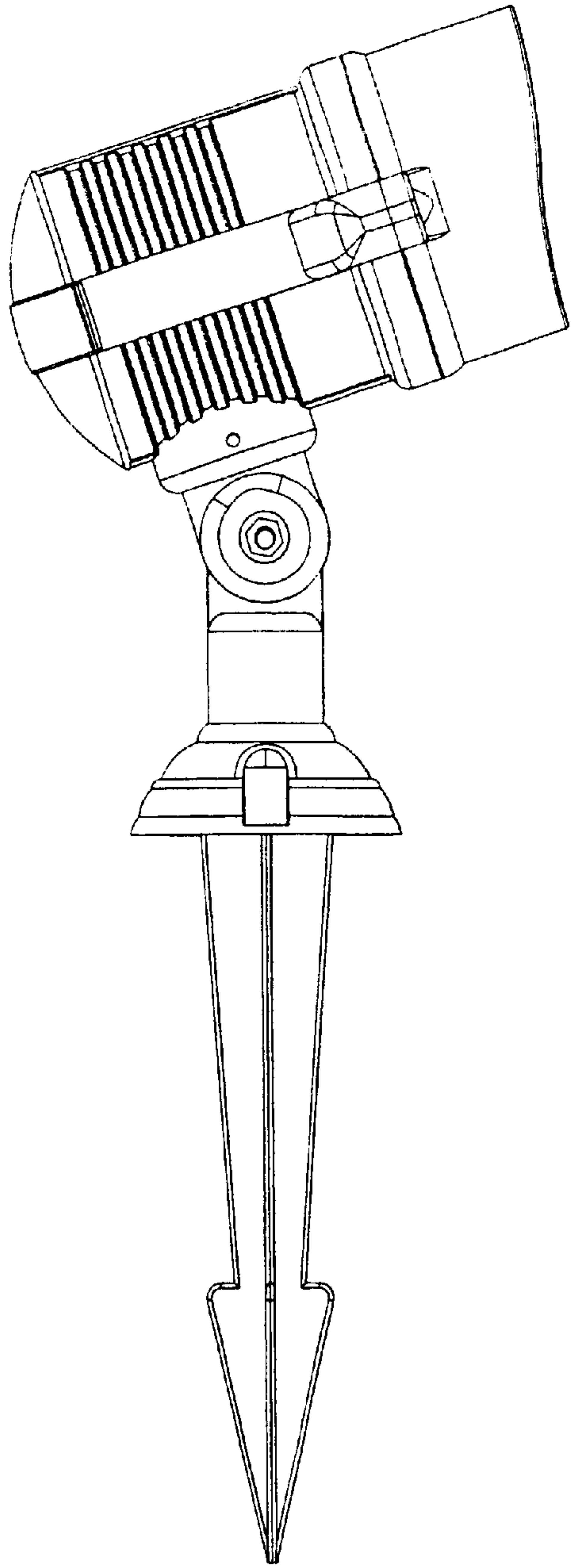




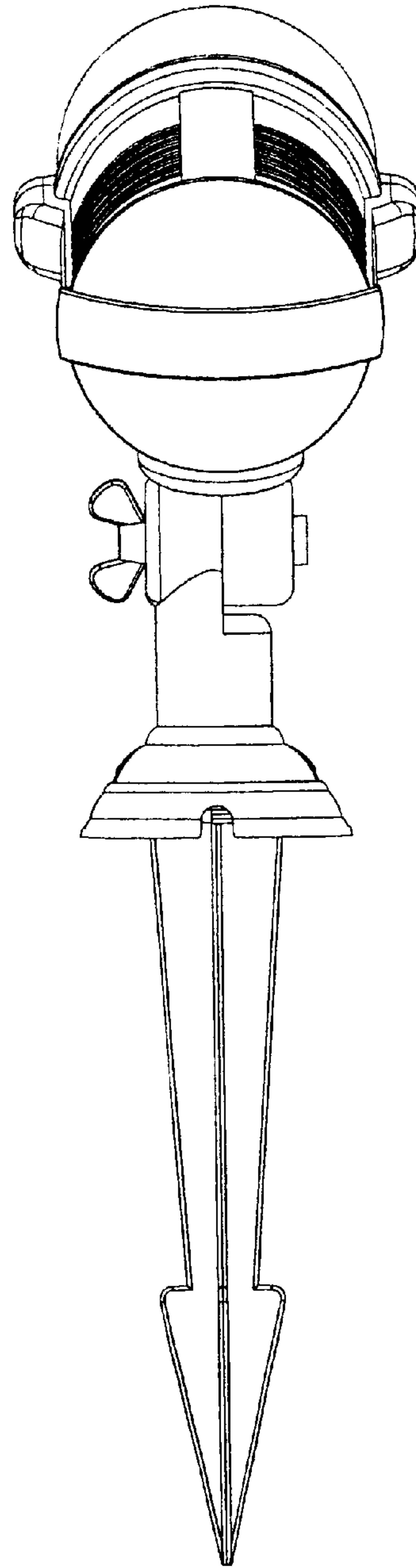
**Fig.1**



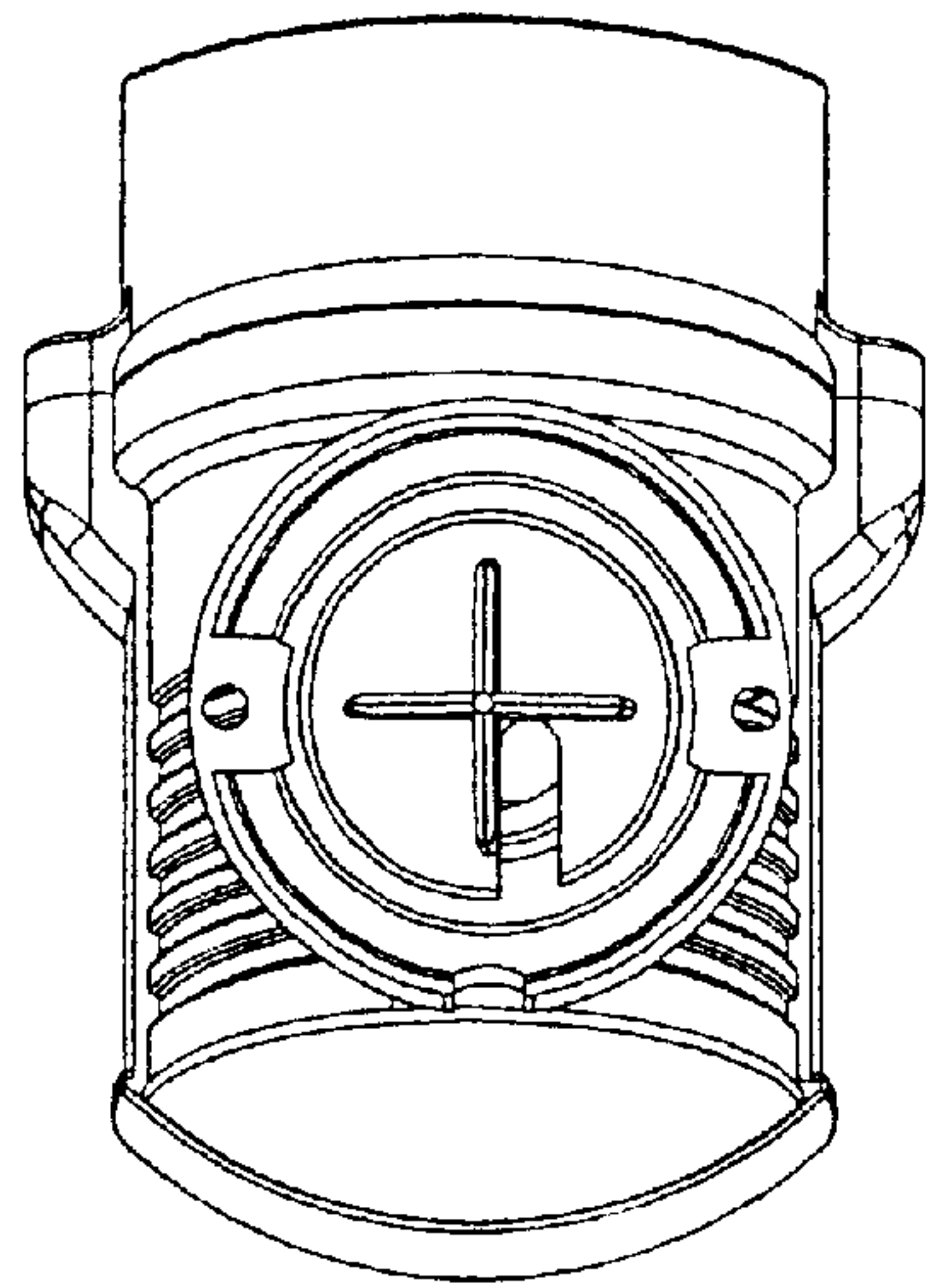
**Fig.2**



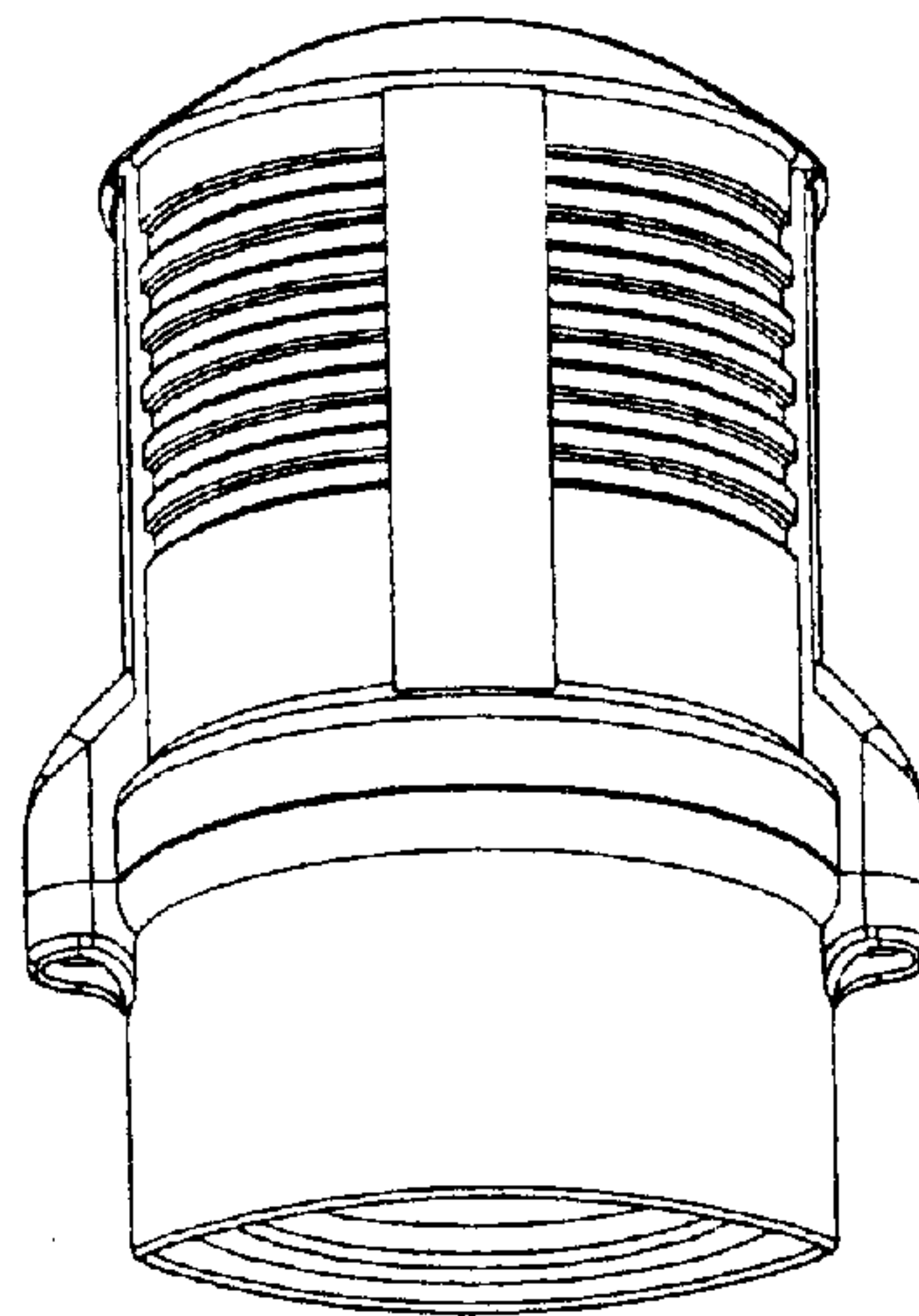
**Fig.3**



**Fig.4**

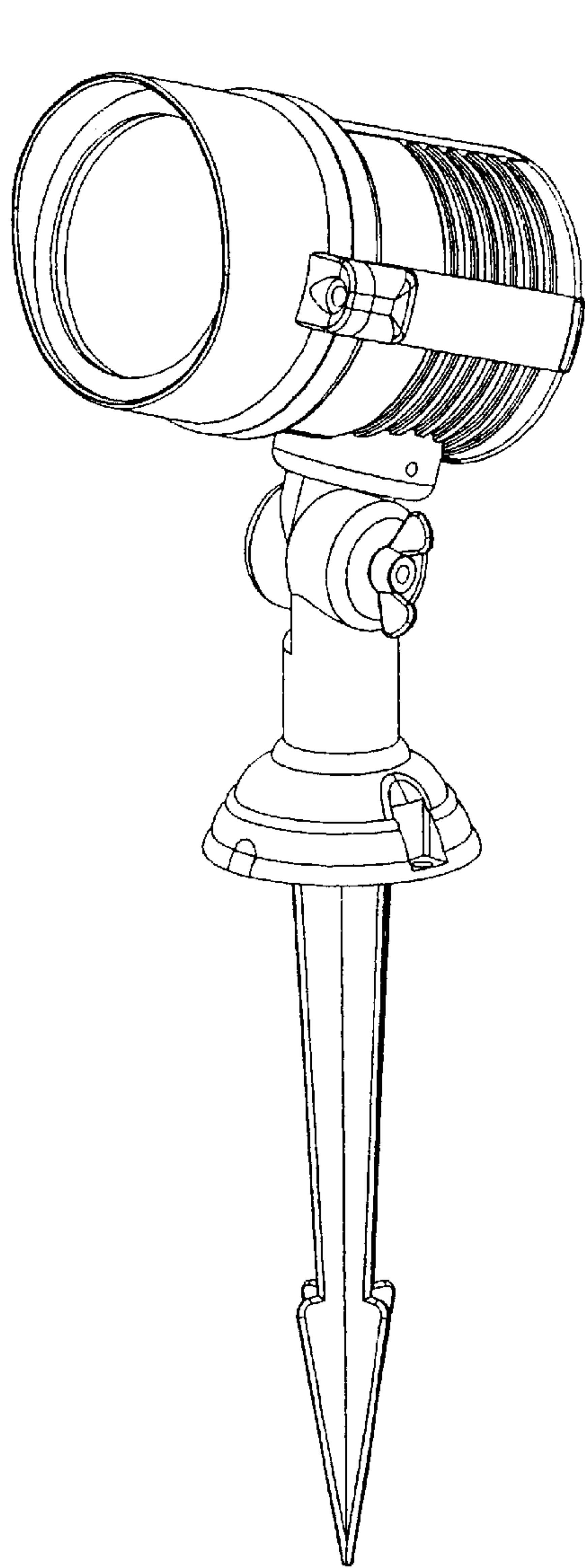


**Fig.5**

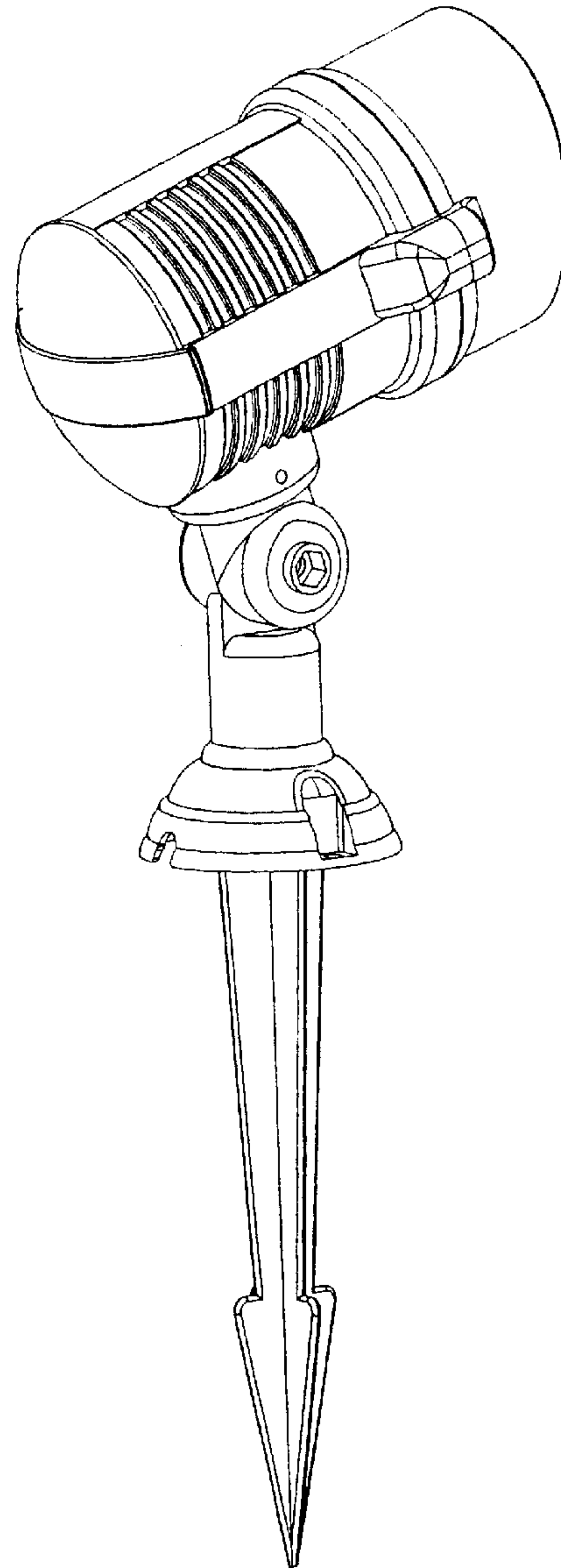


**Fig.6**





**Fig.7**



**Fig.8**

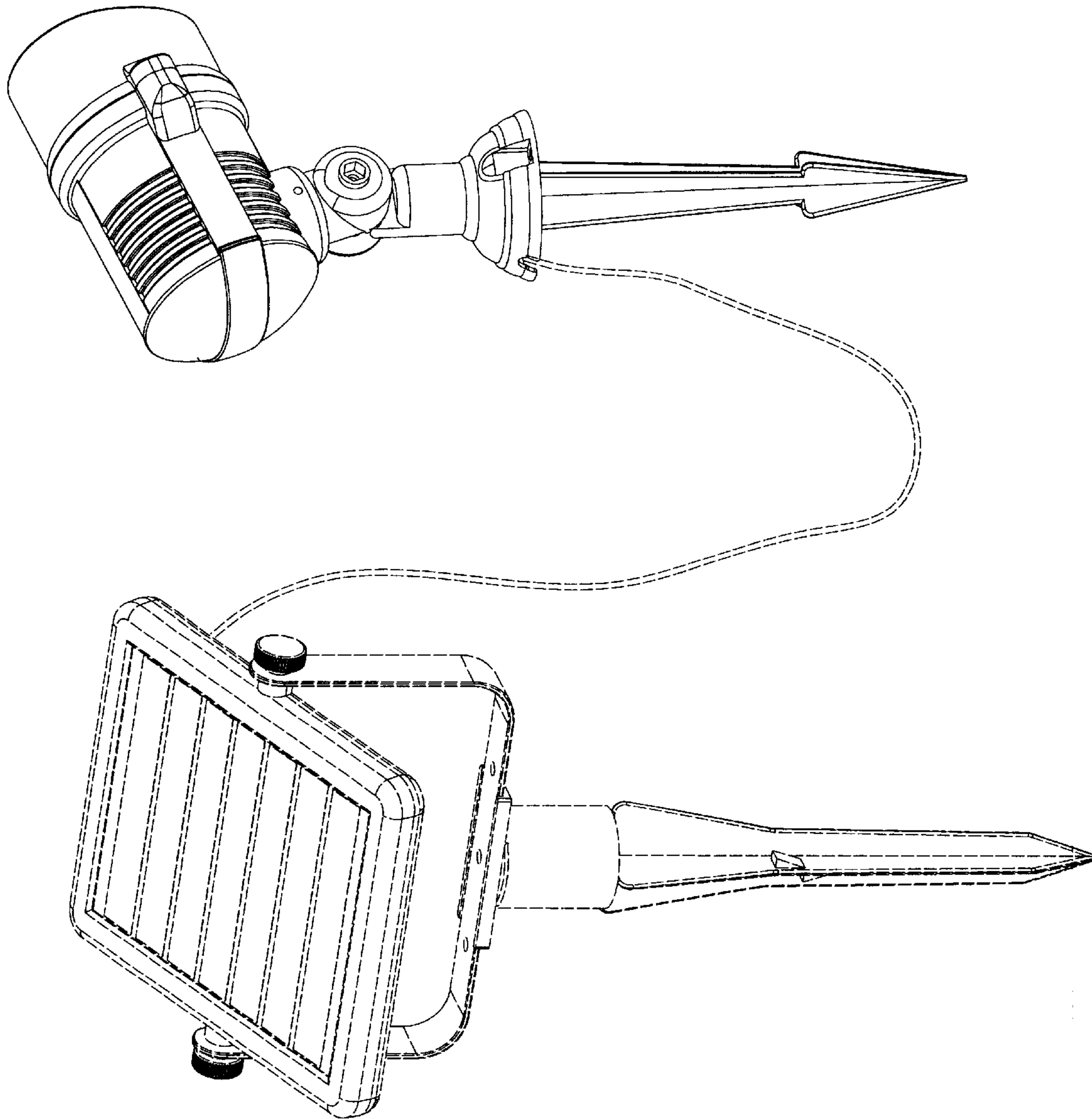


Fig.9