

US00D542957S

(12) **United States Design Patent**
Chang

(10) **Patent No.:** **US D542,957 S**

(45) **Date of Patent:** **** May 15, 2007**

(54) **STAGE LAMP**

(76) **Inventor:** **Ming-Cheng Chang**, No. 10, Alley 48,
Lane 5, Sheng-Li Street, Yuang Kang,
Tainan Hsien (TW)

(**) **Term:** **14 Years**

(21) **Appl. No.:** **29/211,865**

(22) **Filed:** **Aug. 23, 2004**

(51) **LOC (8) Cl.** **26-05**

(52) **U.S. Cl.** **D26/63; D26/24**

(58) **Field of Classification Search** D26/24,
D26/63, 65; 362/230, 231, 232, 250, 254,
362/255, 269, 277, 280, 282, 285, 311, 804
See application file for complete search history.

(56) **References Cited**

U.S. PATENT DOCUMENTS

D95,274 S	*	4/1935	Levy	D26/24
2,705,290 A	*	3/1955	Newman	250/493.1
3,900,726 A	*	8/1975	Tichenor	362/269
4,298,920 A	*	11/1981	Gluck et al.	362/281
4,872,094 A	*	10/1989	Andrus	362/96

D316,910 S	*	5/1991	Hazerjian et al.	D26/67
5,446,637 A	*	8/1995	Cunningham et al.	362/321
6,186,651 B1	*	2/2001	Sayers et al.	362/512
2005/0207161 A1	*	9/2005	Romano et al.	362/277

* cited by examiner

Primary Examiner—Clare E Heflin

(74) *Attorney, Agent, or Firm*—Alan D. Kamrath; Nikolai
& Mersereau, P.A.

(57) **CLAIM**

The ornamental design for a stage lamp, as shown and described.

DESCRIPTION

FIG. 1 is a perspective view of a stage lamp showing my design;

FIG. 2 is a front elevational view thereof;

FIG. 3 is a rear elevational view thereof;

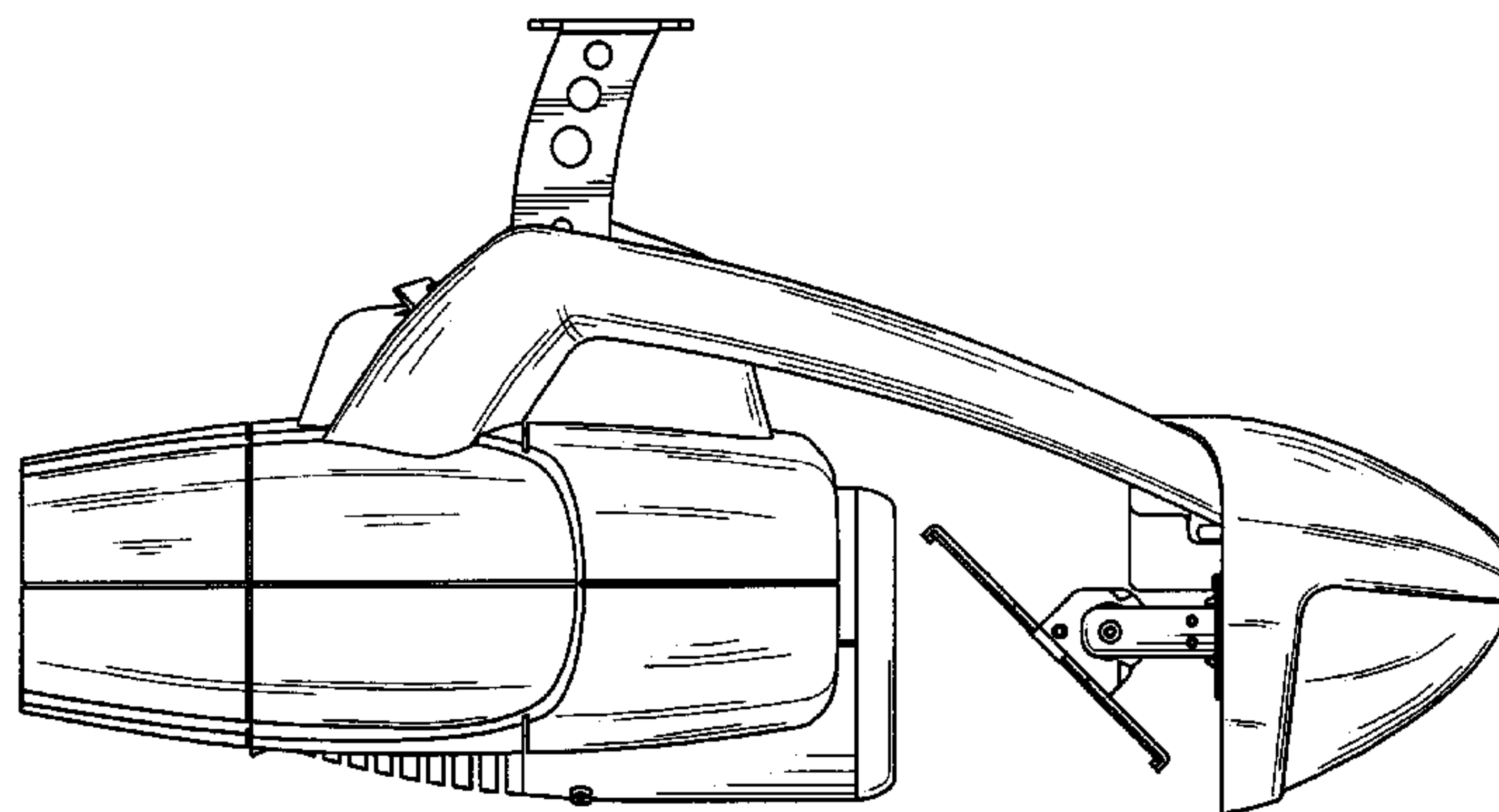
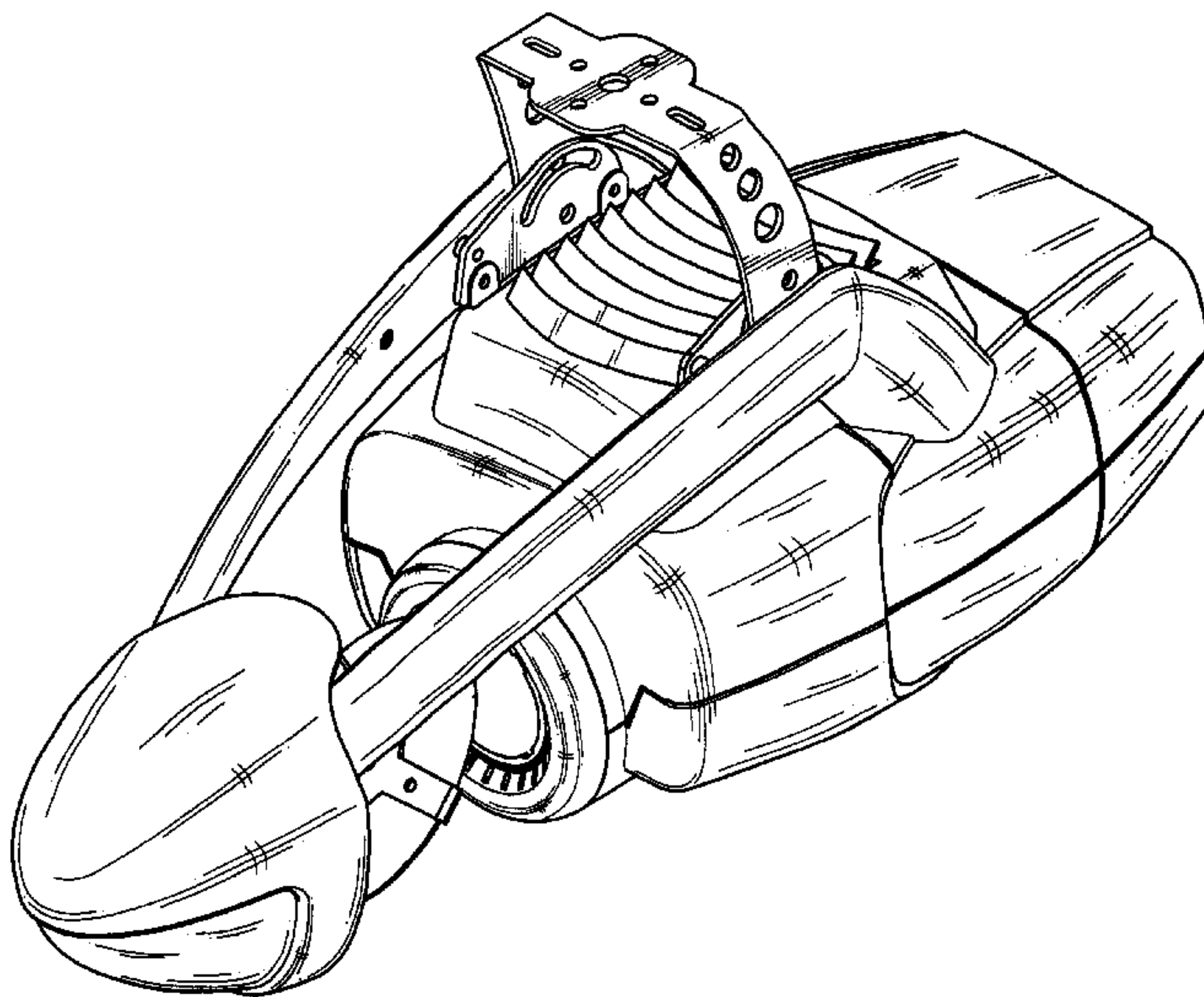
FIG. 4 is a left elevational view thereof;

FIG. 5 is a right elevational view thereof;

FIG. 6 is a top plan view thereof; and,

FIG. 7 is a bottom plan view thereof.

1 Claim, 7 Drawing Sheets



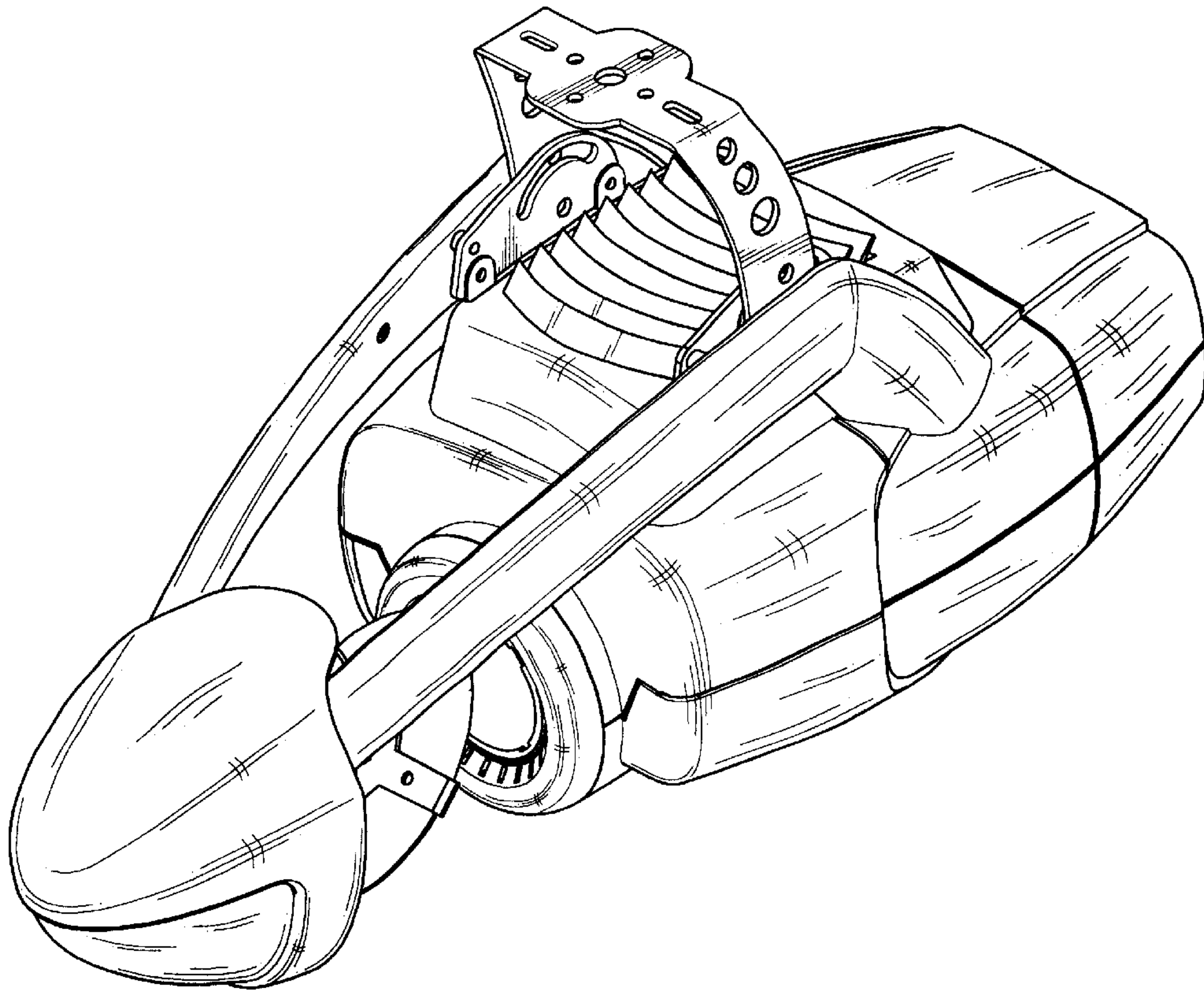


FIG . 1

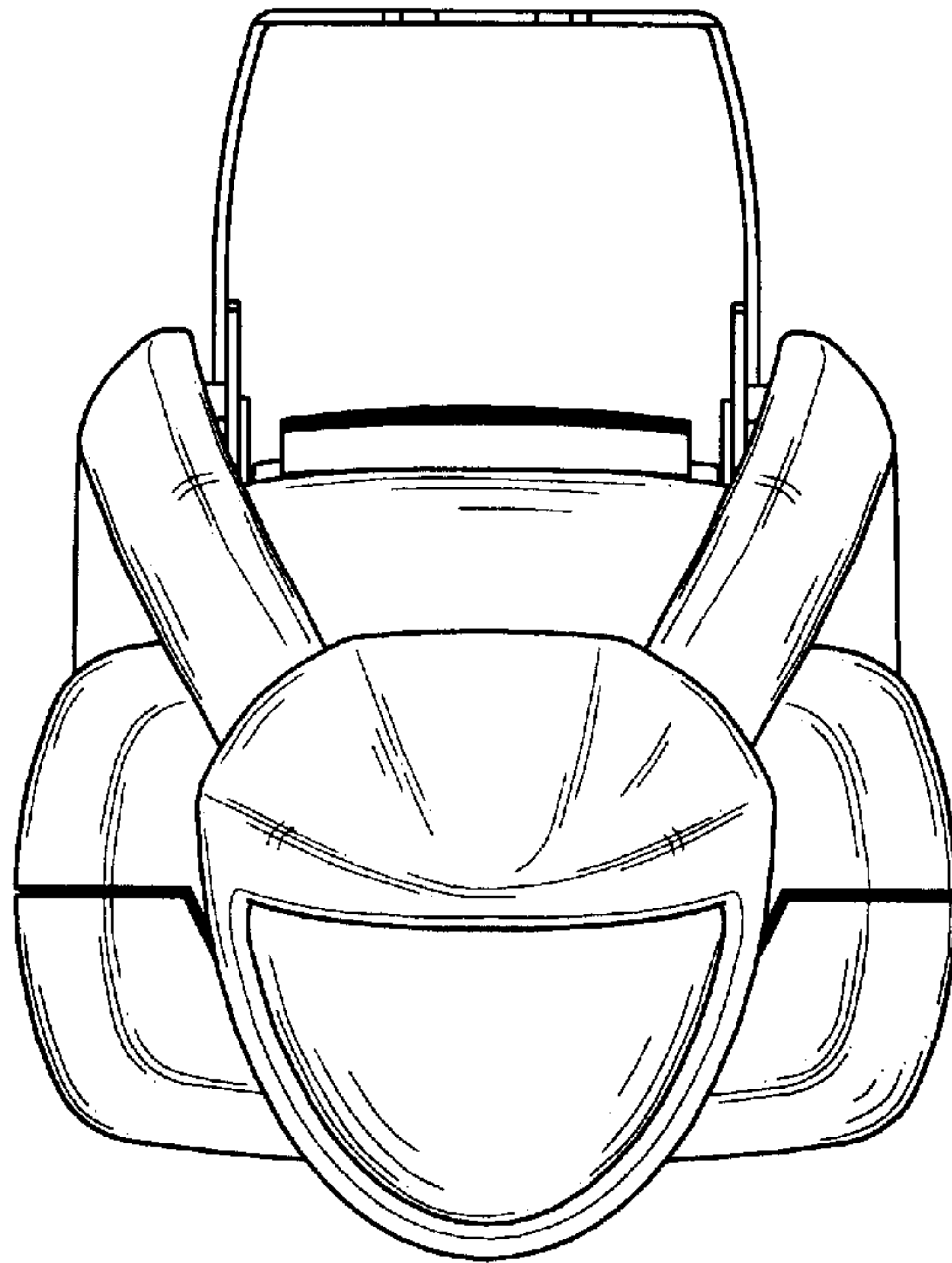


FIG . 2

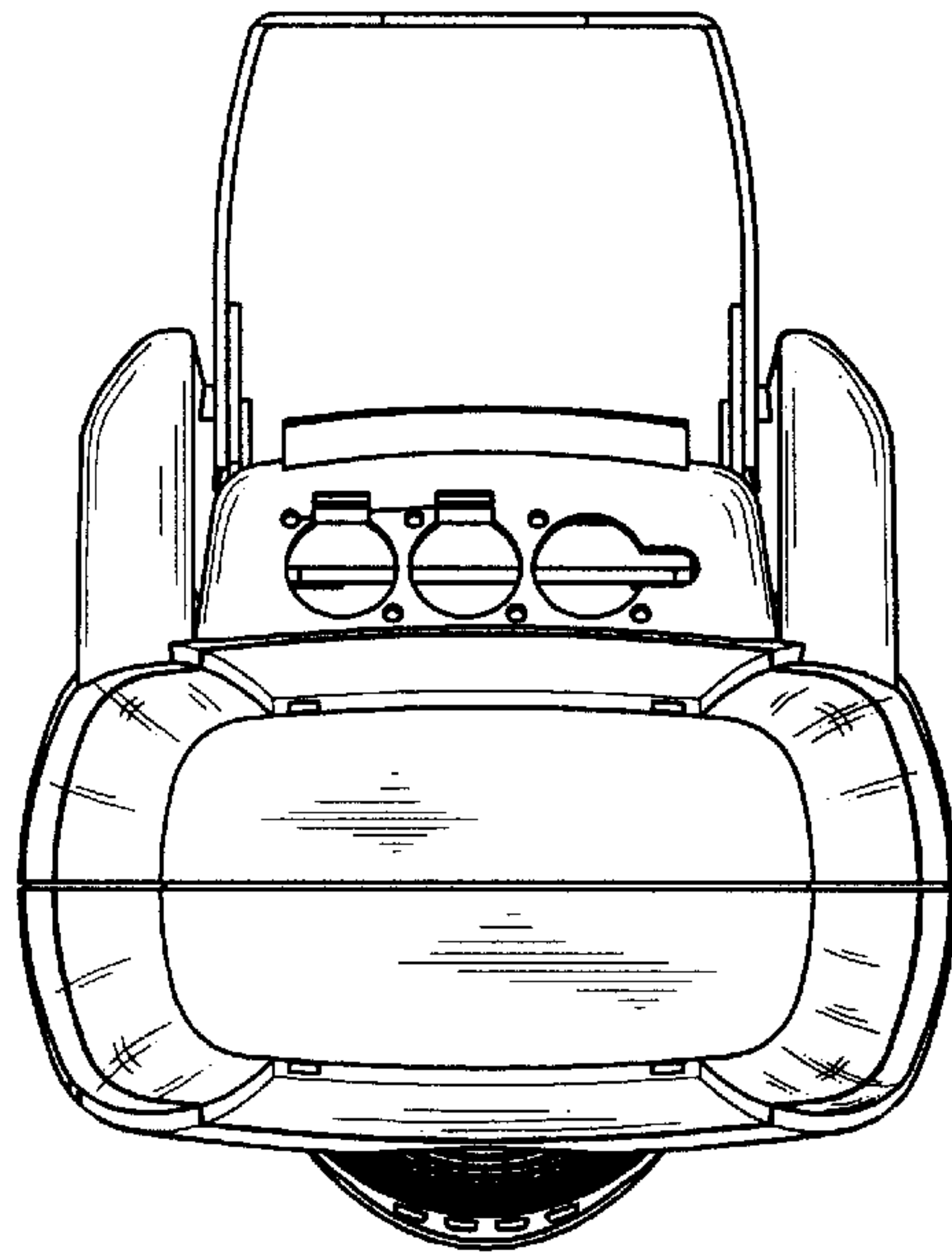


FIG . 3

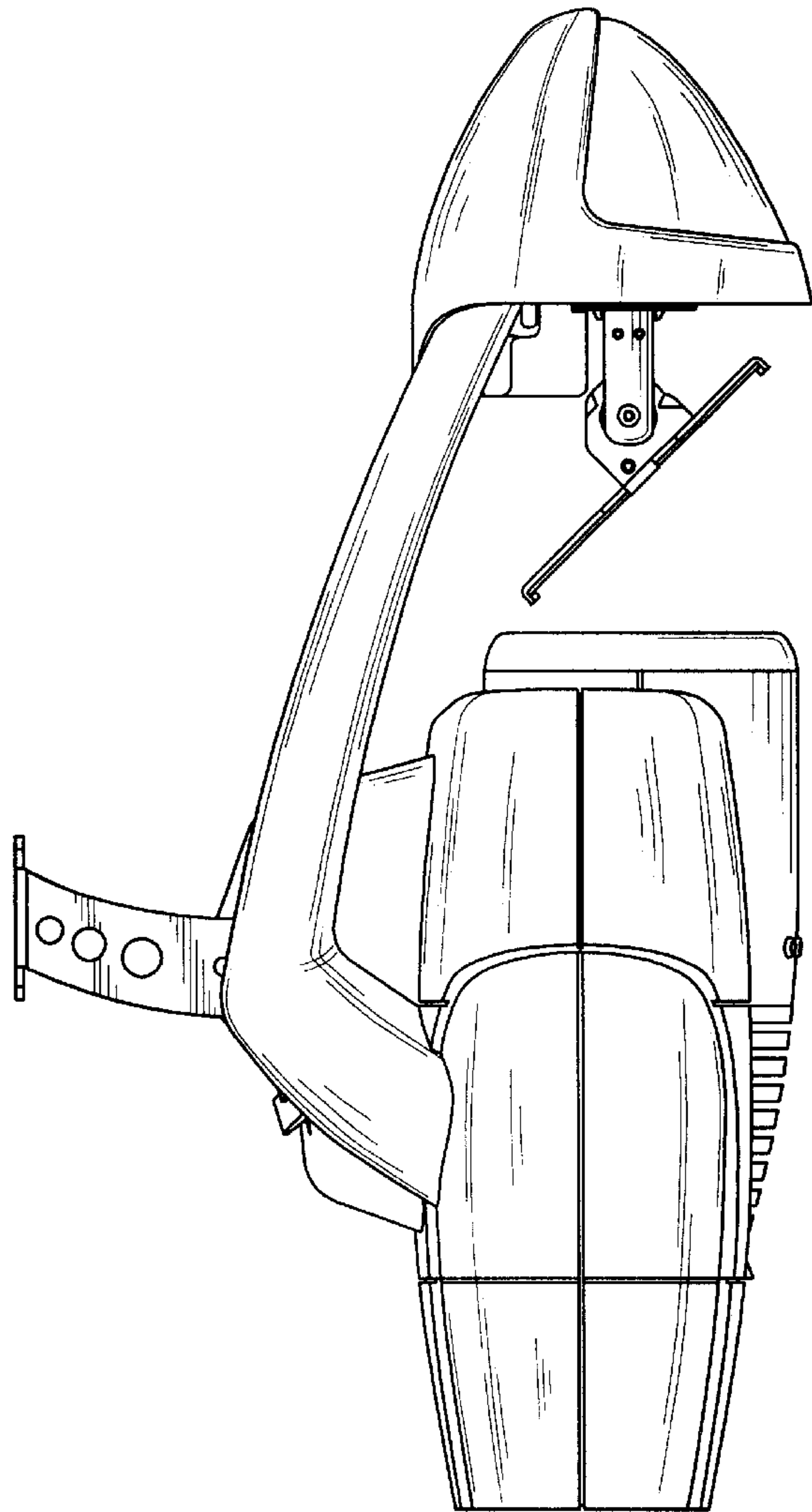


FIG . 4

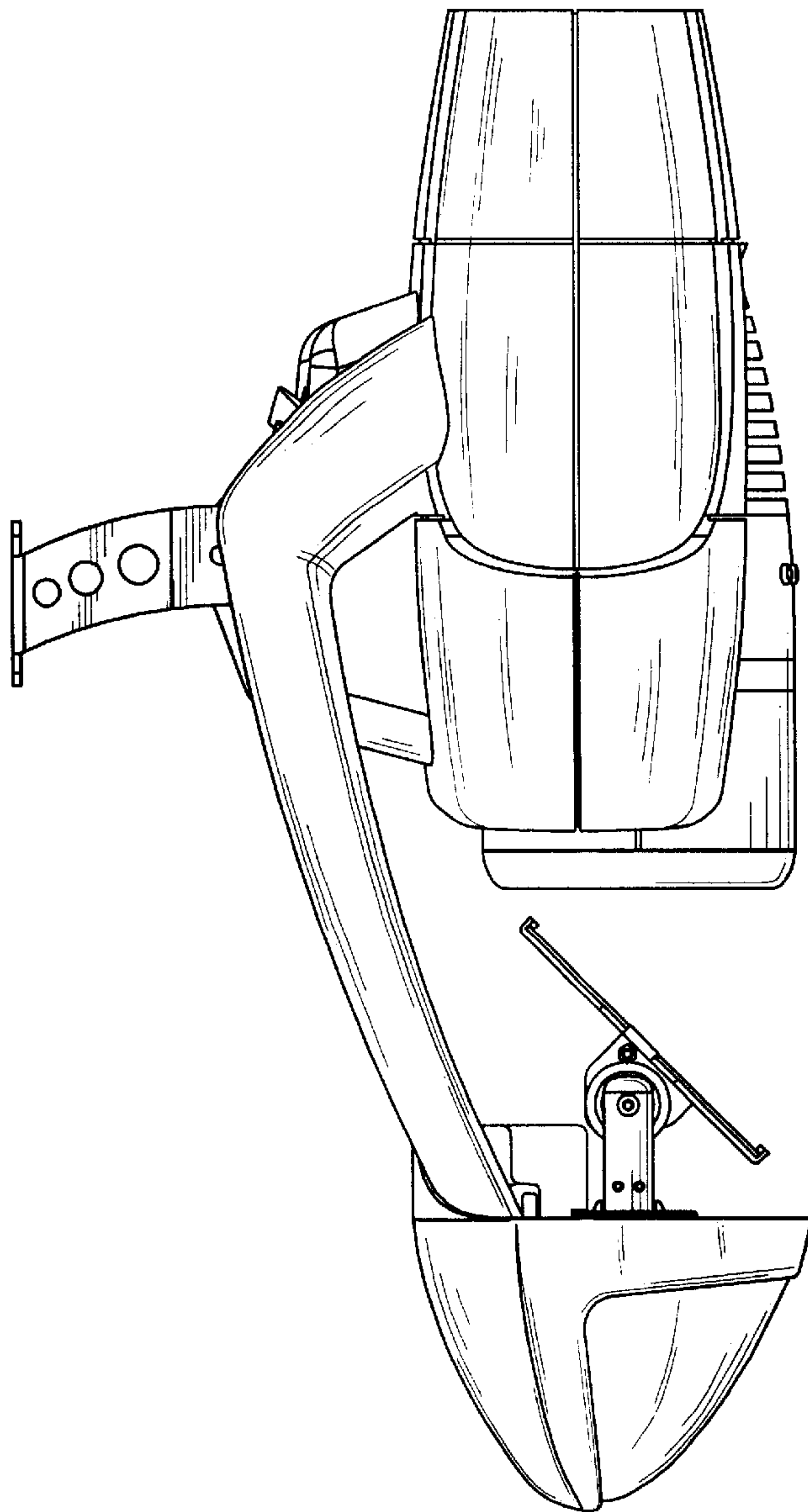


FIG . 5

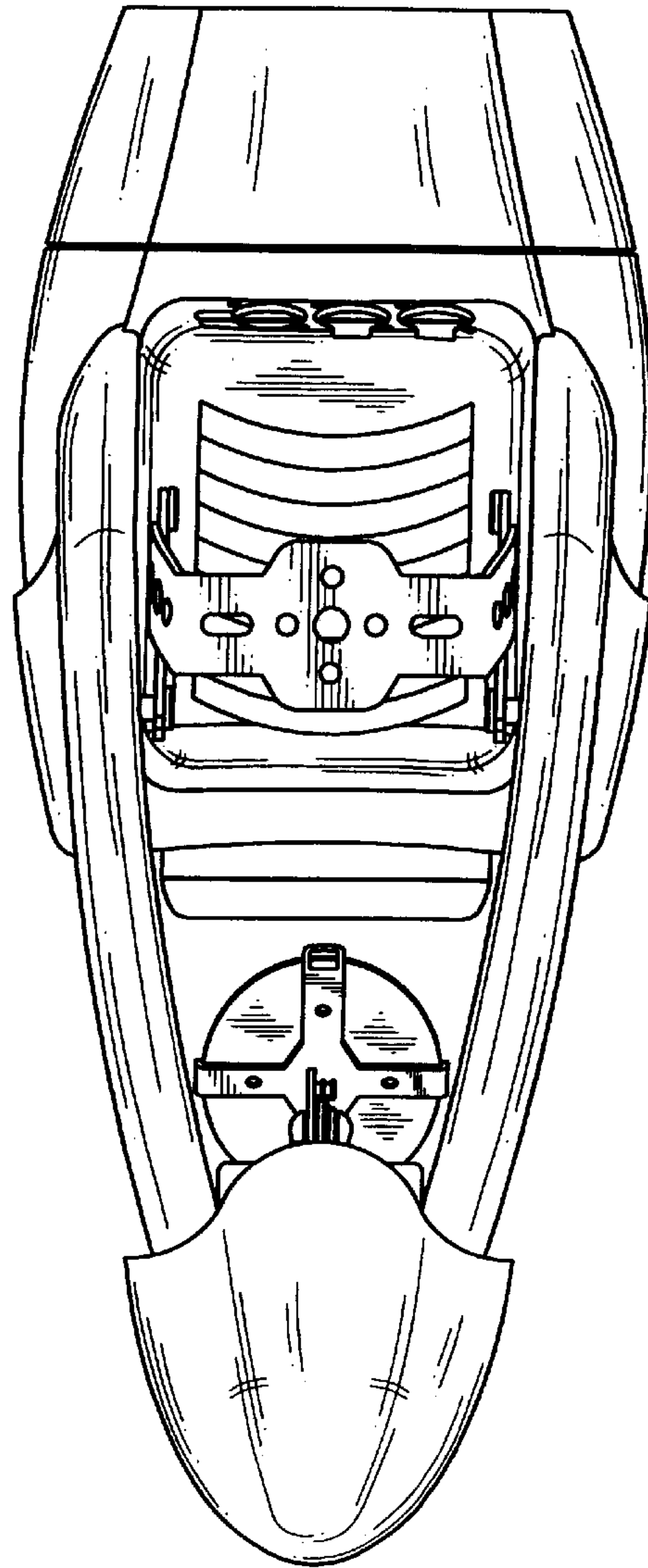


FIG . 6

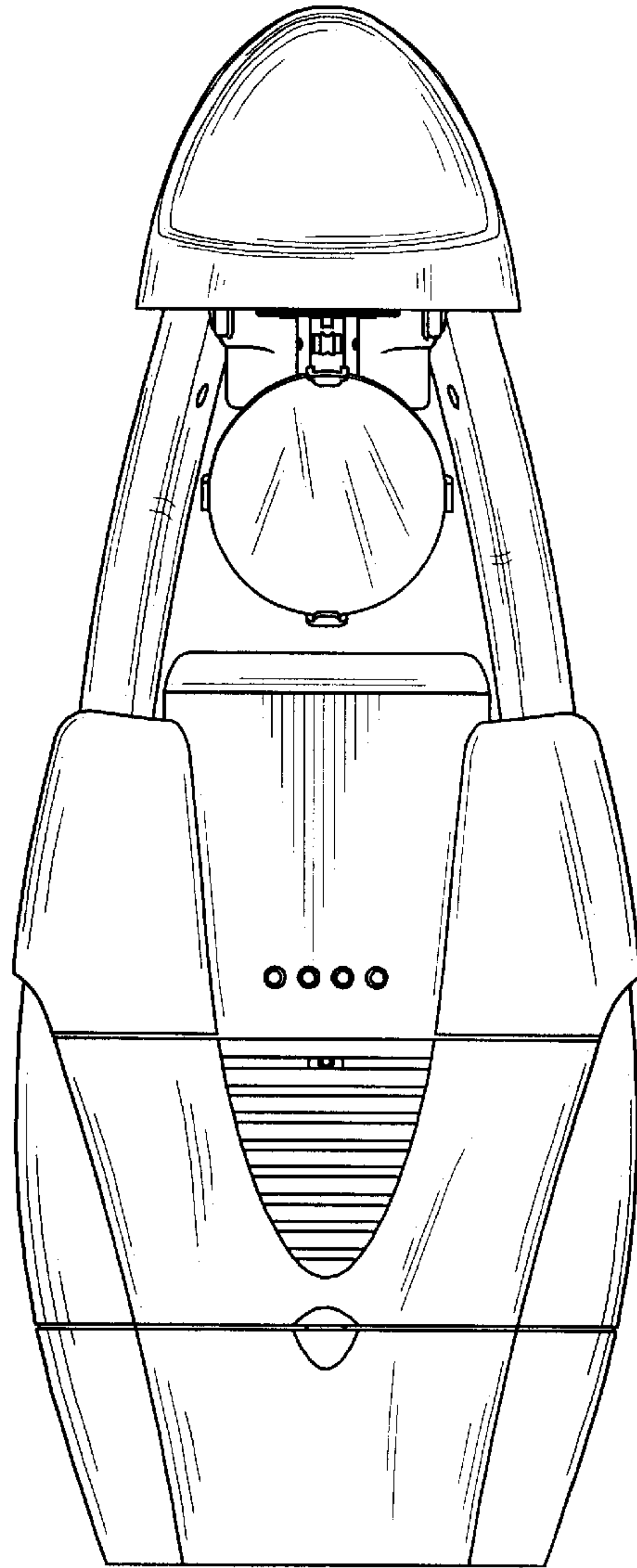


FIG . 7