



US00D542954S

(12) **United States Design Patent**
Yuen

(10) **Patent No.:** **US D542,954 S**
(45) **Date of Patent:** **** May 15, 2007**

(54) **RECHARGEABLE HALOGEN
SEARCHLIGHT WITH FLUORESCENT
LIGHT**

D529,650 S * 10/2006 Yuen D26/46
D531,336 S * 10/2006 Yuen D26/46
D531,745 S * 11/2006 Yuen D26/46

(76) Inventor: **Se Kit Yuen**, 6/F., Yau Lee Centre, 45
Hoi Yuen Road, Kwun Tong, Kowloon
(HK)

* cited by examiner

Primary Examiner—Ian Simmons

Assistant Examiner—Carissa Fitts

(**) Term: **14 Years**

(74) *Attorney, Agent, or Firm*—Akerman Senterfitt

(21) Appl. No.: **29/246,250**

(57) **CLAIM**

(22) Filed: **Mar. 27, 2006**

The ornamental design of a rechargeable halogen searchlight with fluorescent light, as shown and described.

(51) **LOC (8) Cl.** **26-02**

DESCRIPTION

(52) **U.S. Cl.** **D26/46**

(58) **Field of Classification Search** D26/33,
D26/35, 36, 37, 38, 41, 42, 48, 46, 104; 362/164,
362/205, 208, 183, 184, 260, 261
See application file for complete search history.

FIG. 1 is a front, top and left side perspective view of the rechargeable halogen searchlight with fluorescent light; FIG. 2 is a rear, bottom and right side perspective view thereof;

FIG. 3 is a front view thereof;

FIG. 4 is a rear view thereof;

FIG. 5 is a right side view thereof;

FIG. 6 is a left side view thereof;

FIG. 7 is a top view thereof; and,

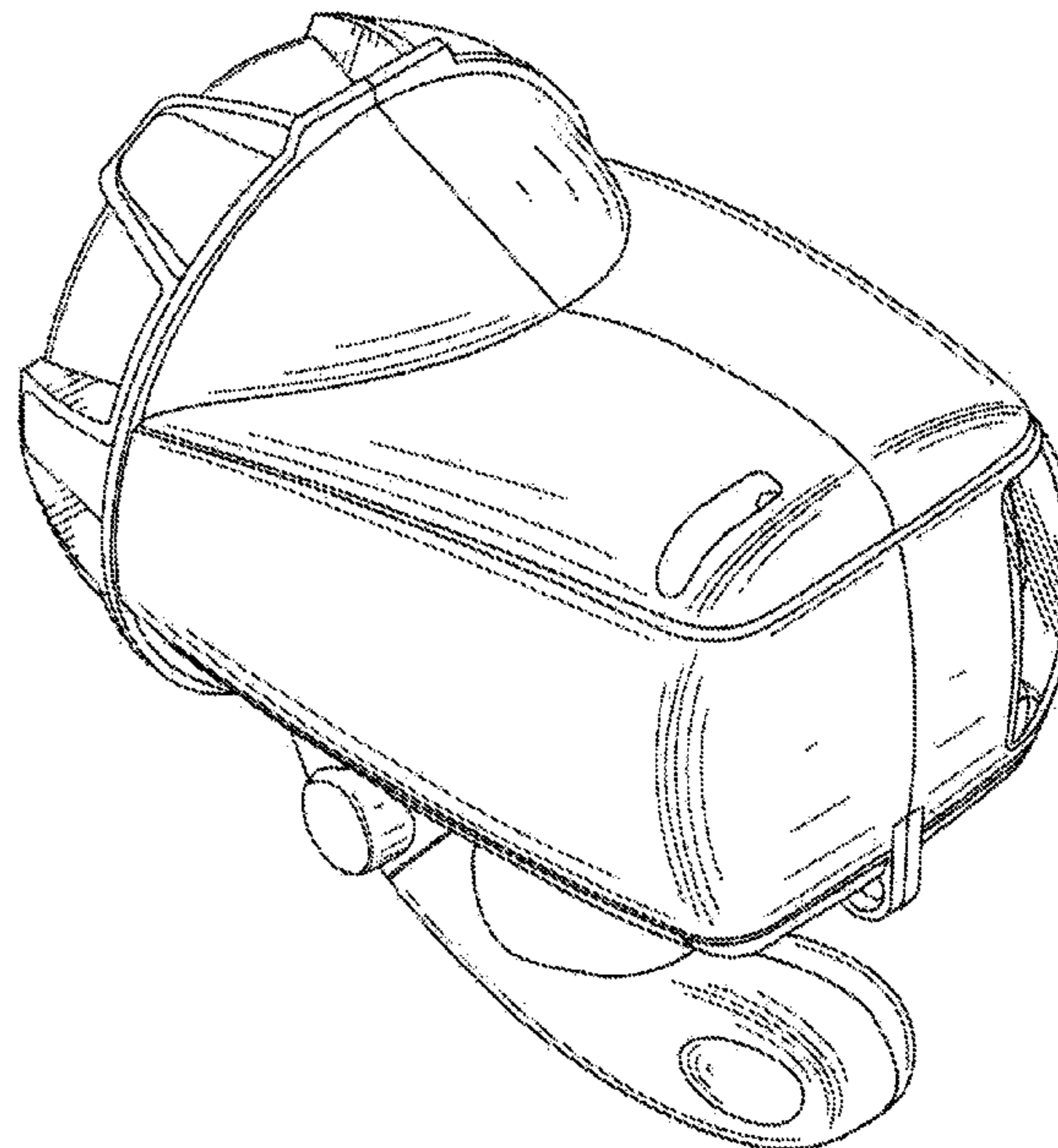
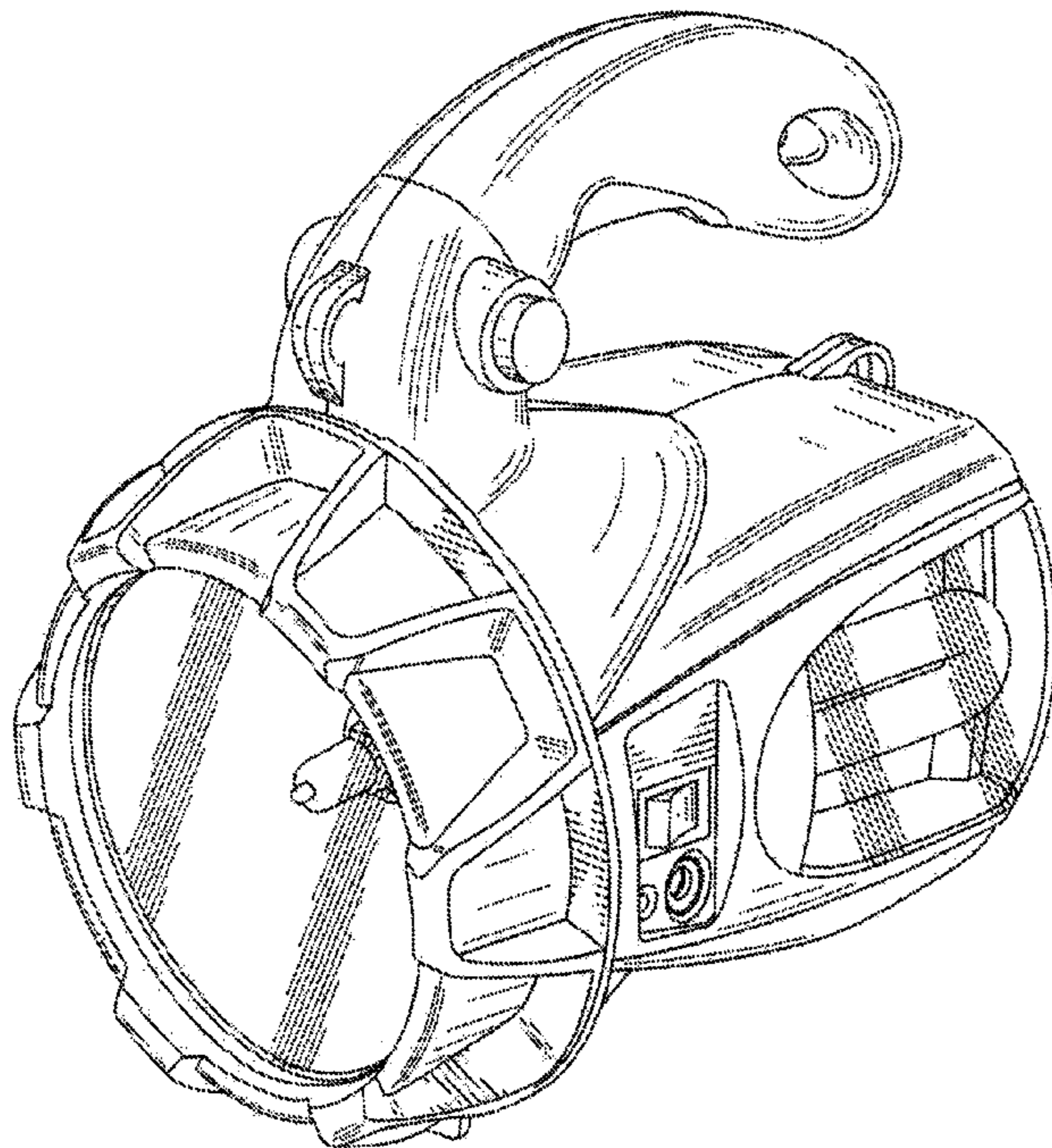
FIG. 8 is a bottom view thereof.

(56) **References Cited**

U.S. PATENT DOCUMENTS

D501,268 S * 1/2005 Yuen D26/44
D518,908 S * 4/2006 Yuen D26/46
D524,471 S * 7/2006 Yuen D26/46
D527,480 S * 8/2006 Yuen D26/46

1 Claim, 8 Drawing Sheets



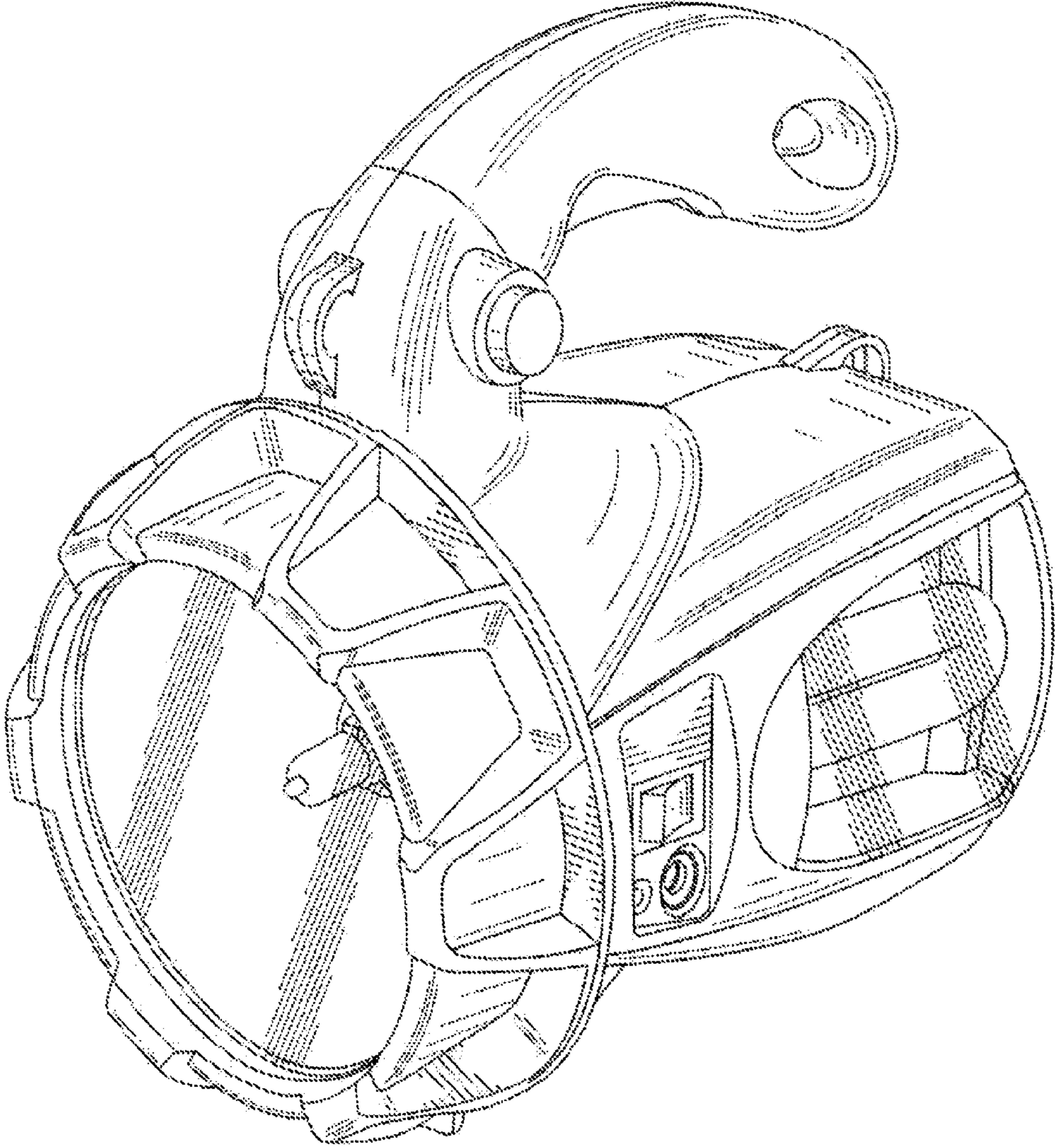


FIG. 1

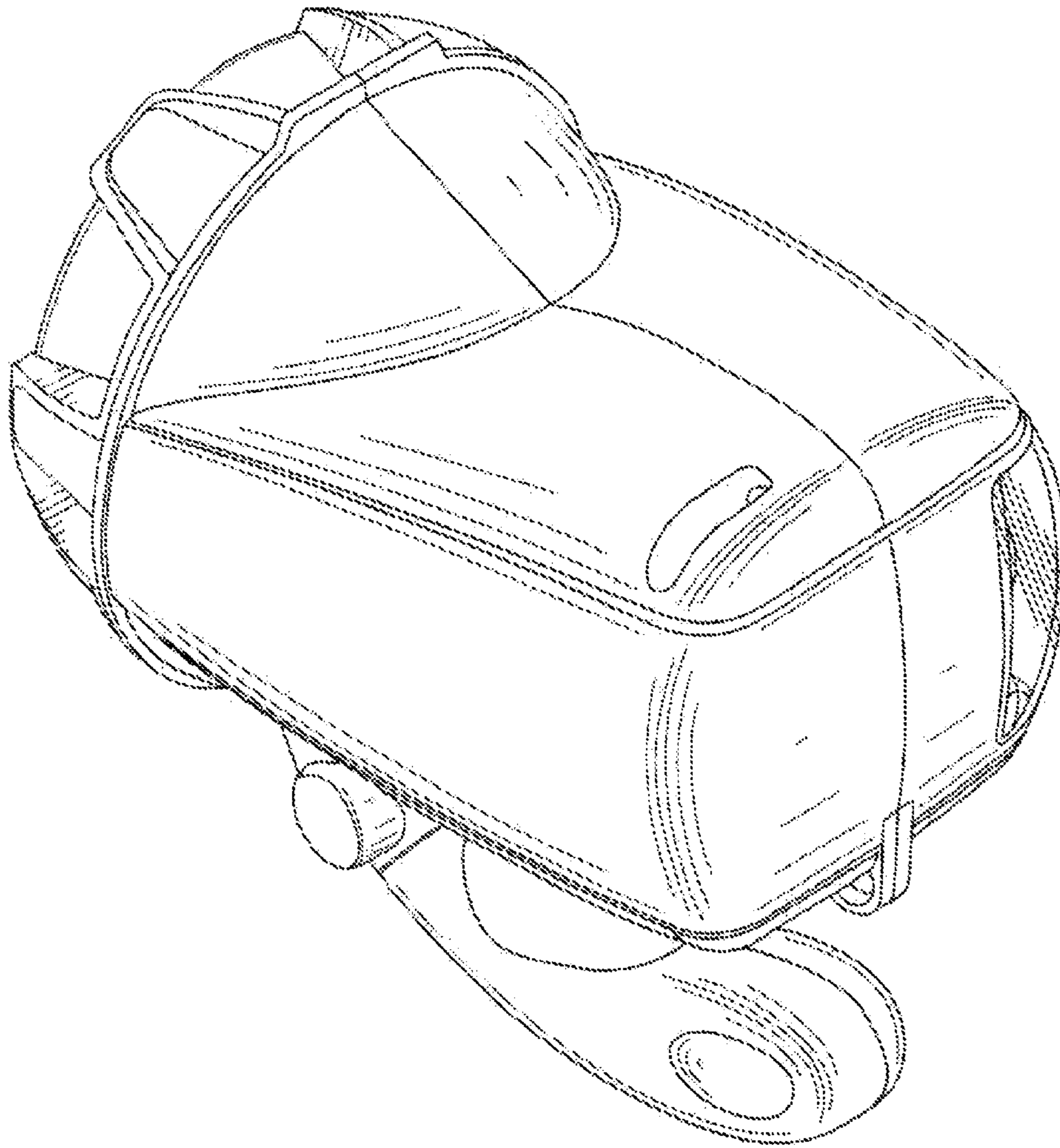


FIG. 2

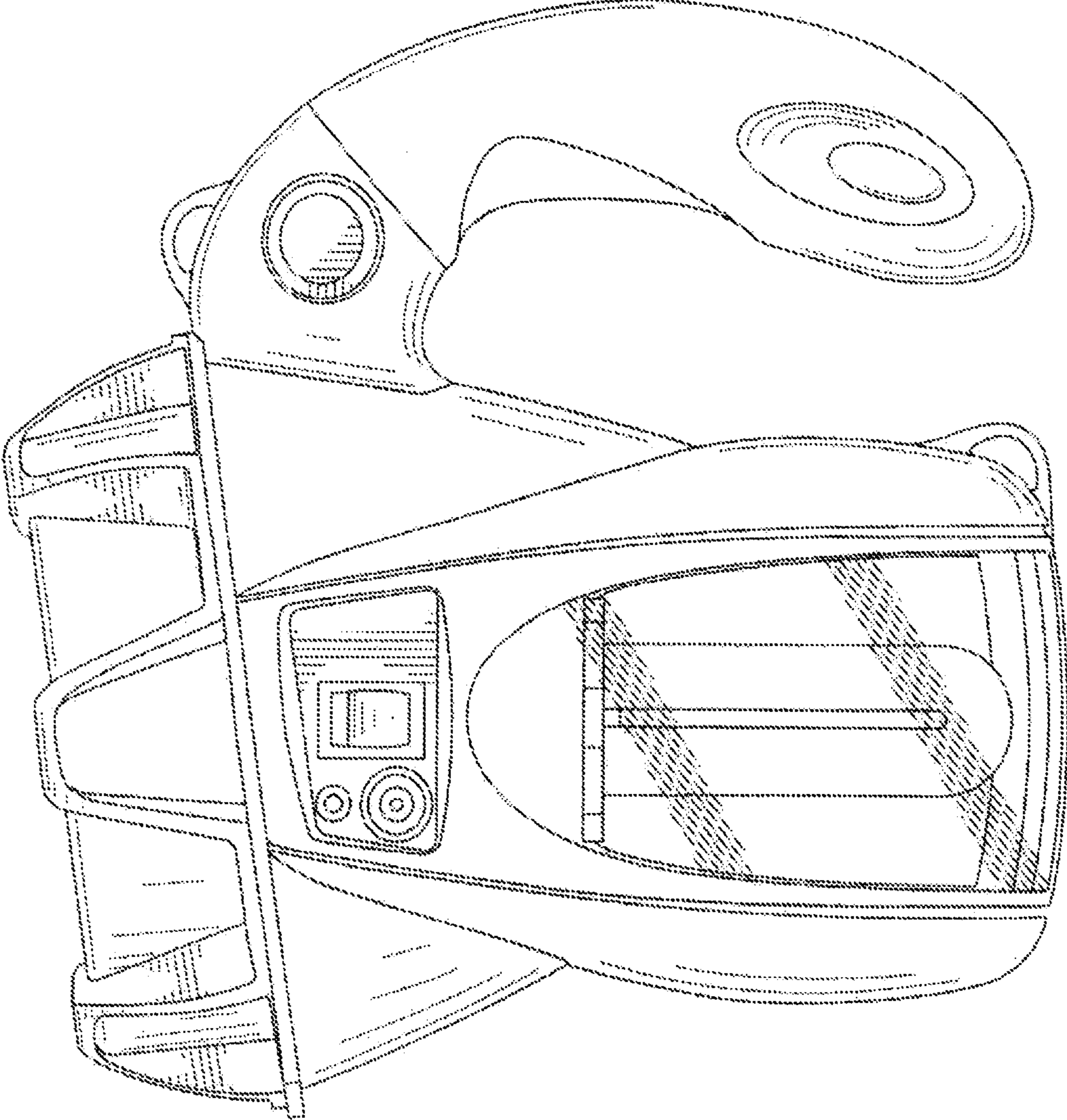


FIG. 3

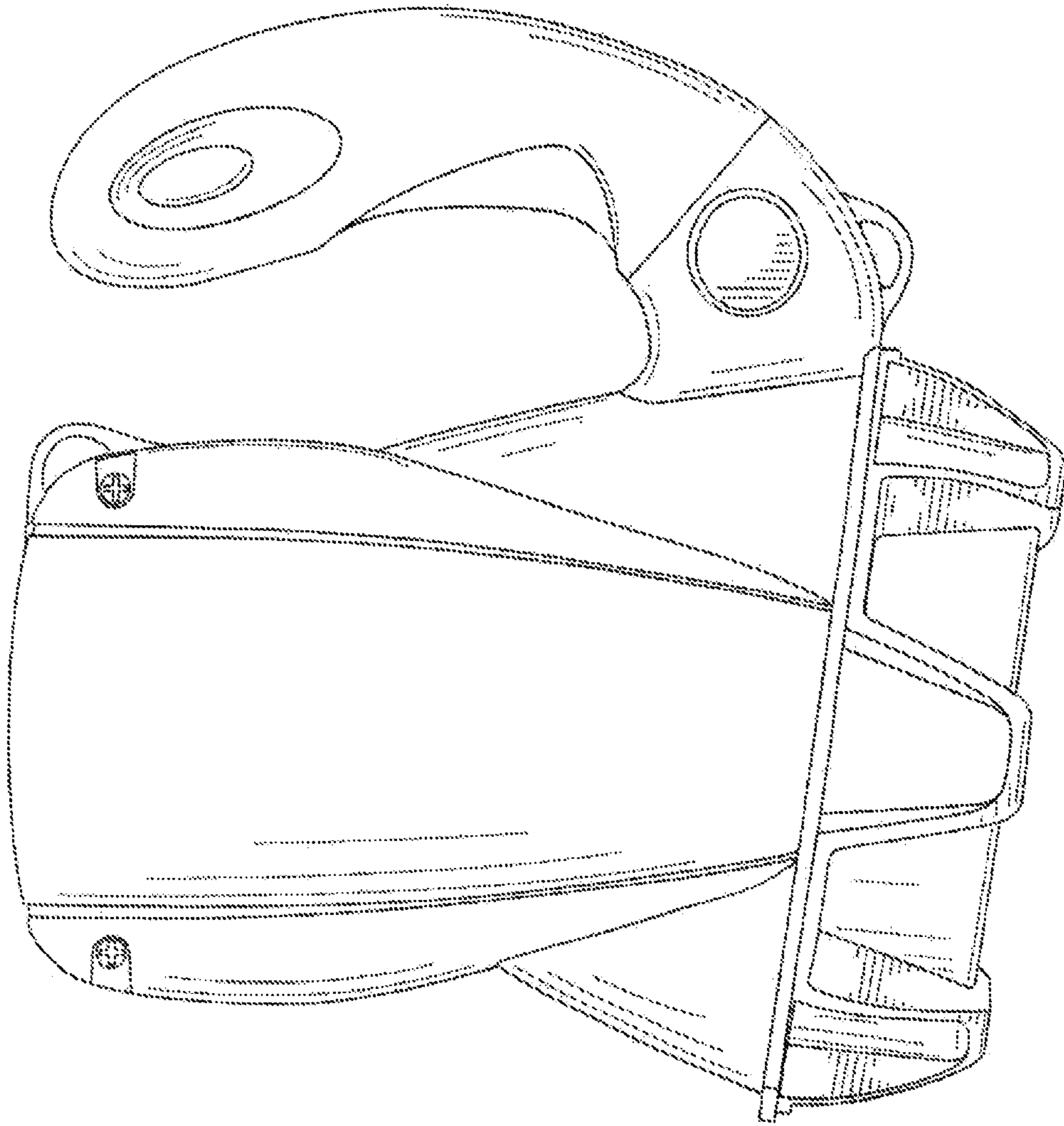


FIG. 4

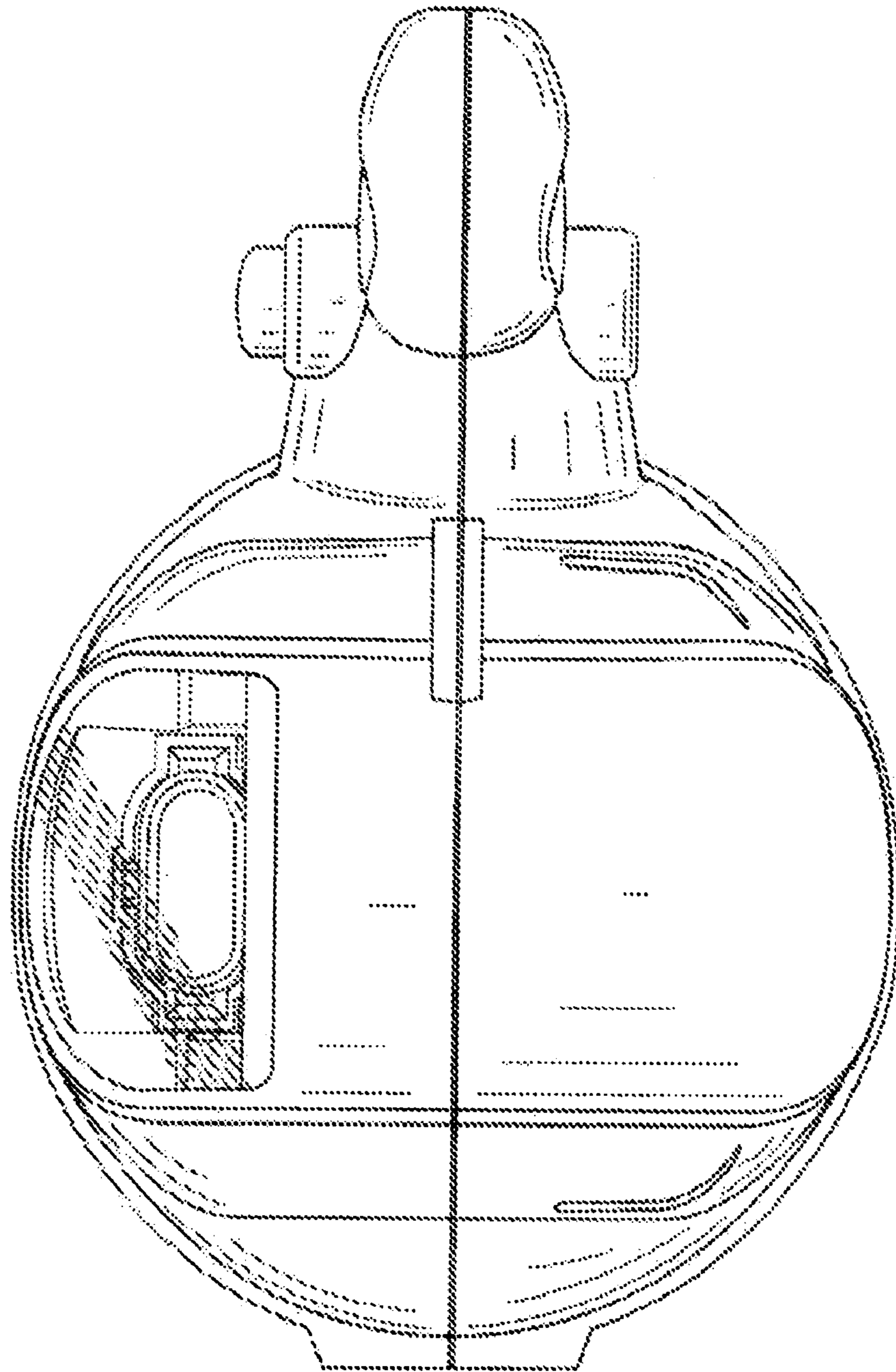


FIG. 5

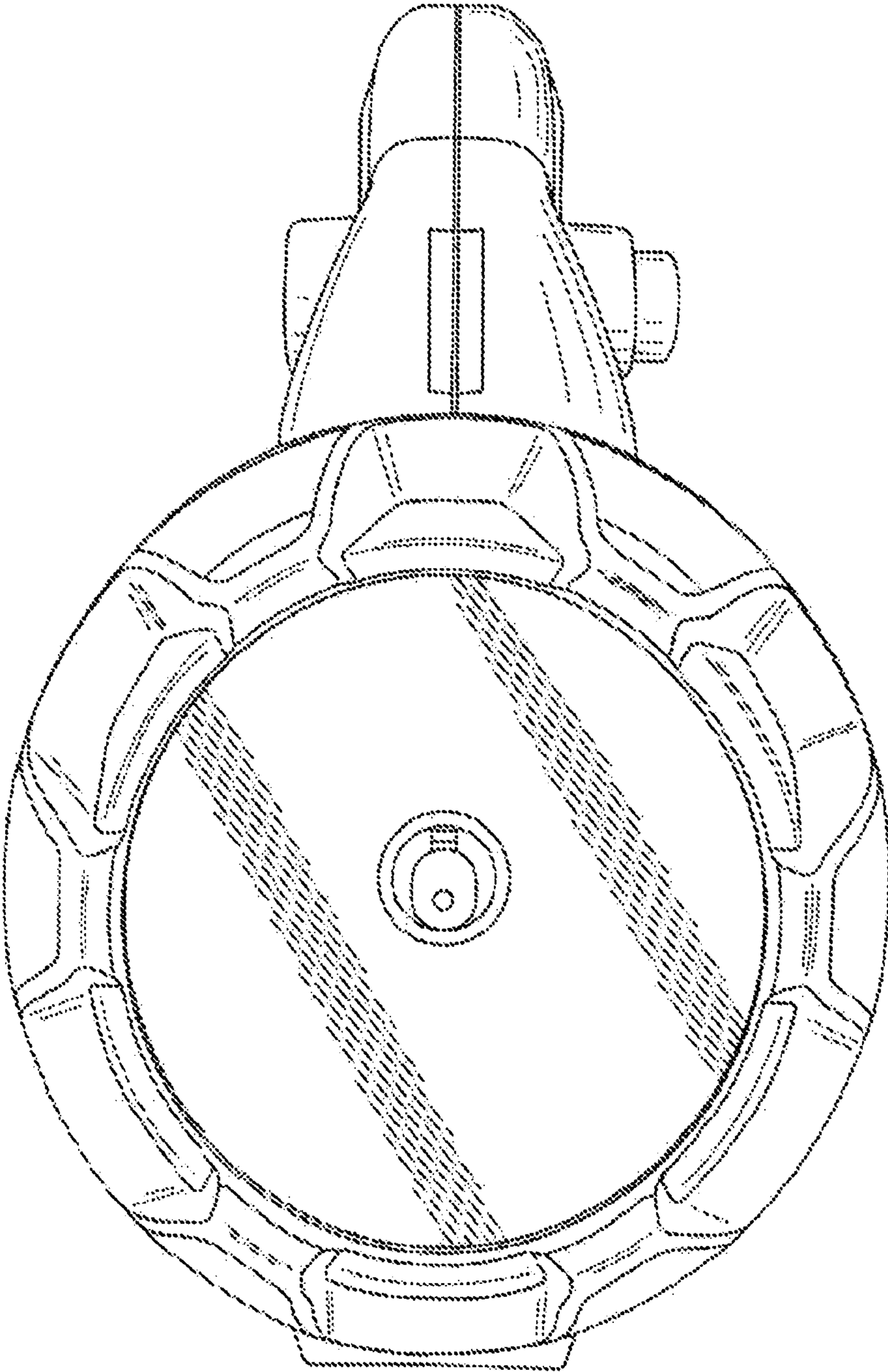


FIG. 6

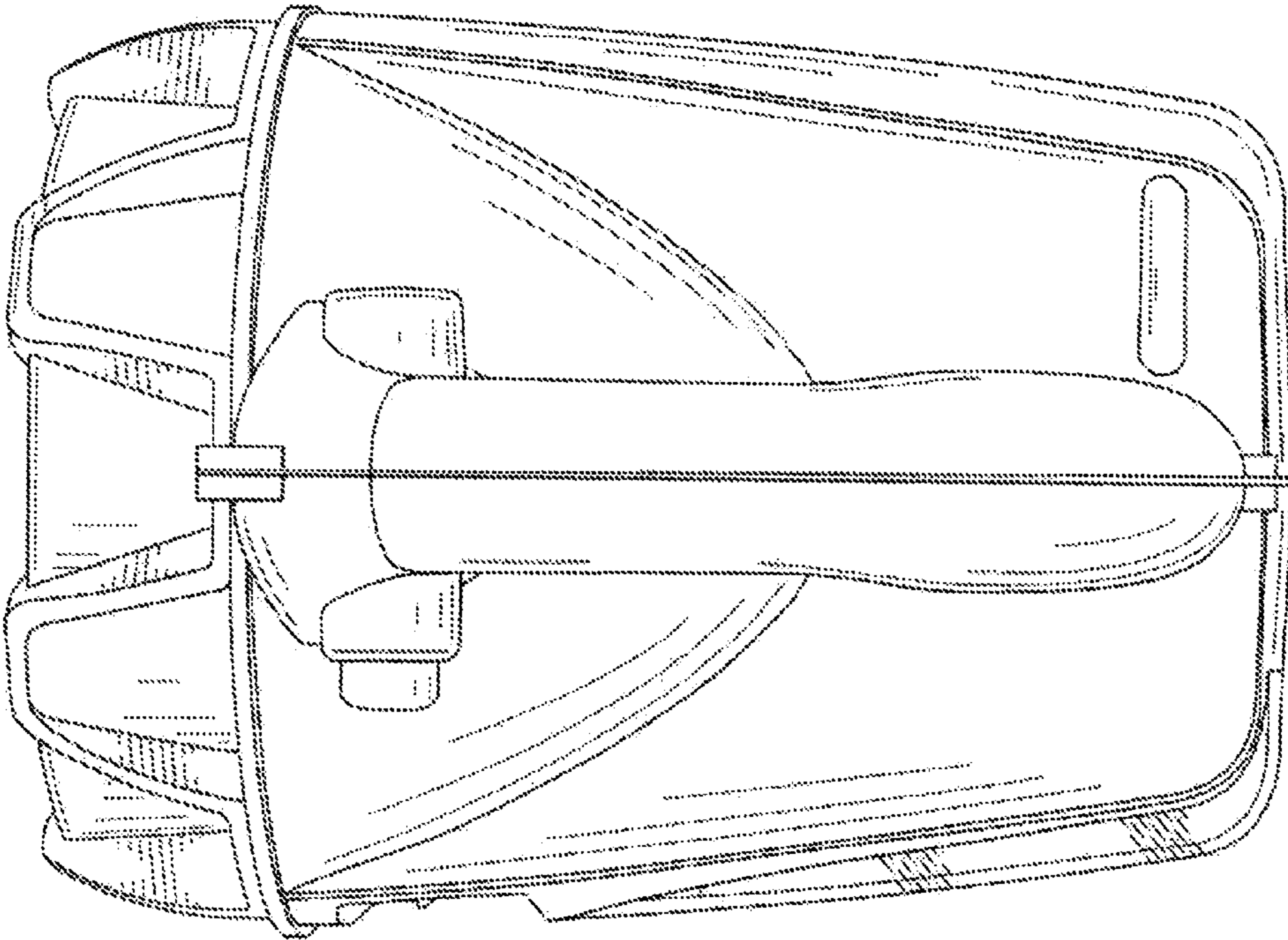


FIG. 7

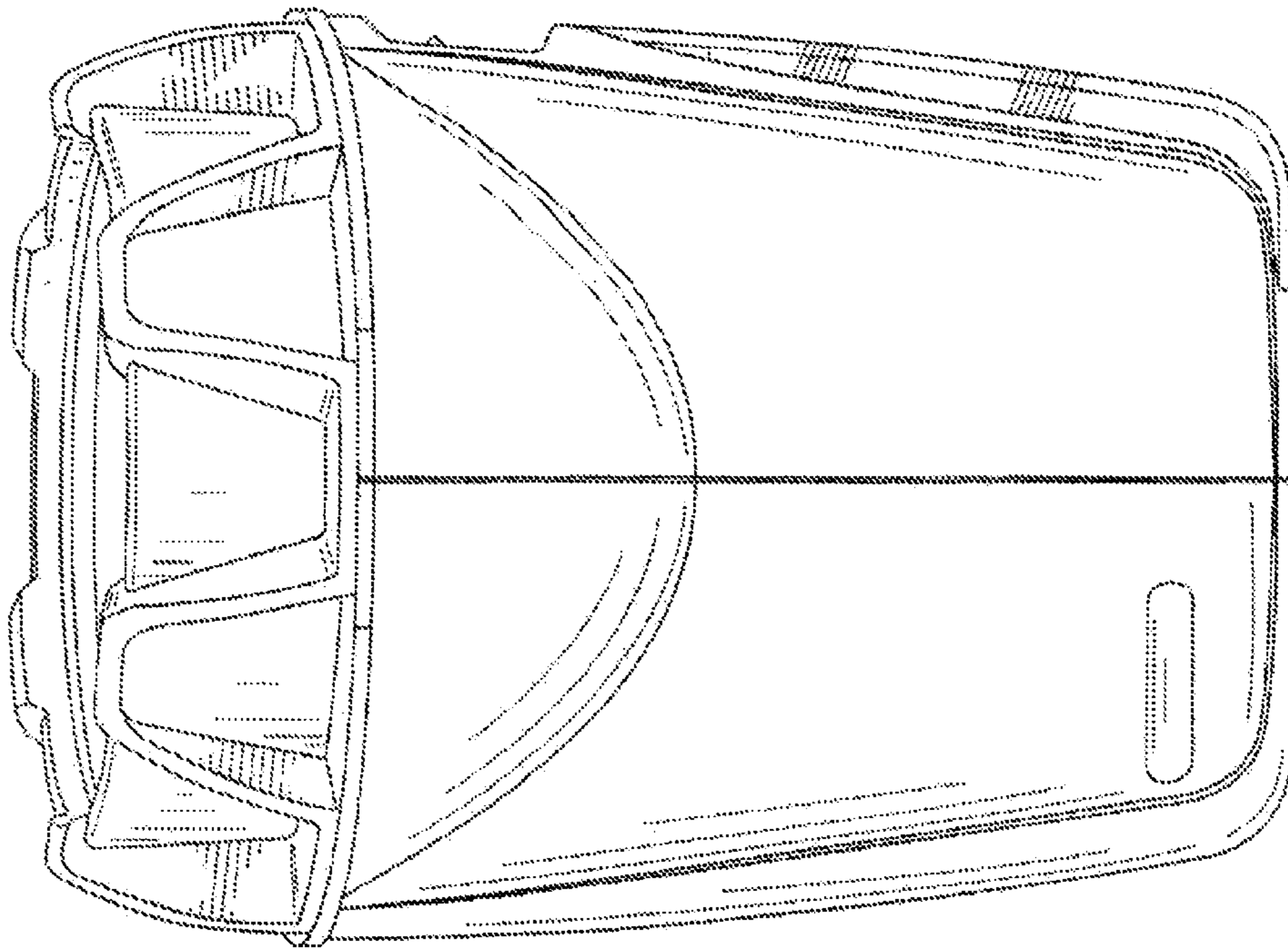


FIG. 8