

US00D542953S

(12) **United States Design Patent**
Lee

(10) **Patent No.:** **US D542,953 S**

(45) **Date of Patent:** **** May 15, 2007**

(54) **LANTERN**

(76) **Inventor:** **Wen Sung Lee**, 8F2, No. 60-2, Gong
Yeh Chu 1st Road, Taichung (TW),
40767

(**) **Term:** **14 Years**

(21) **Appl. No.:** **29/256,269**

(22) **Filed:** **Mar. 17, 2006**

(51) **LOC (8) Cl.** **26-02**

(52) **U.S. Cl.** **D26/40**

(58) **Field of Classification Search** D26/37,
D26/38, 39, 40, 41, 42, 43, 44, 48, 50; 372/172,
372/173, 179, 180, 181, 182, 186, 392, 394,
372/395, 396, 399, 380, 161, 162, 158, 183,
372/184; 362/188, 360, 372, 362, 376, 181,
362/388, 185, 186, 374, 375, 392, 159, 193,
362/192

See application file for complete search history.

(56) **References Cited**

U.S. PATENT DOCUMENTS

D218,534 S * 8/1970 Deines et al. D26/41
D429,354 S * 8/2000 Petterson D26/40
D434,163 S * 11/2000 Lee D26/40

D443,088 S * 5/2001 Skidmore et al. D26/40
D474,553 S * 5/2003 Poon D26/40
D486,931 S * 2/2004 Lee D26/38
D486,932 S * 2/2004 Dario et al. D26/40
D498,319 S * 11/2004 Poon D26/40
D520,163 S * 5/2006 Krieger et al. D26/40

* cited by examiner

Primary Examiner—Ian Simmons

Assistant Examiner—Carissa Fitts

(74) *Attorney, Agent, or Firm*—Charles E. Baxley

(57) **CLAIM**

The ornamental design for a lantern, as shown and described.

DESCRIPTION

FIG. 1 is a perspective view of a lantern showing my new design;

FIG. 2 is a front elevational view thereof;

FIG. 3 is a rear elevational view thereof;

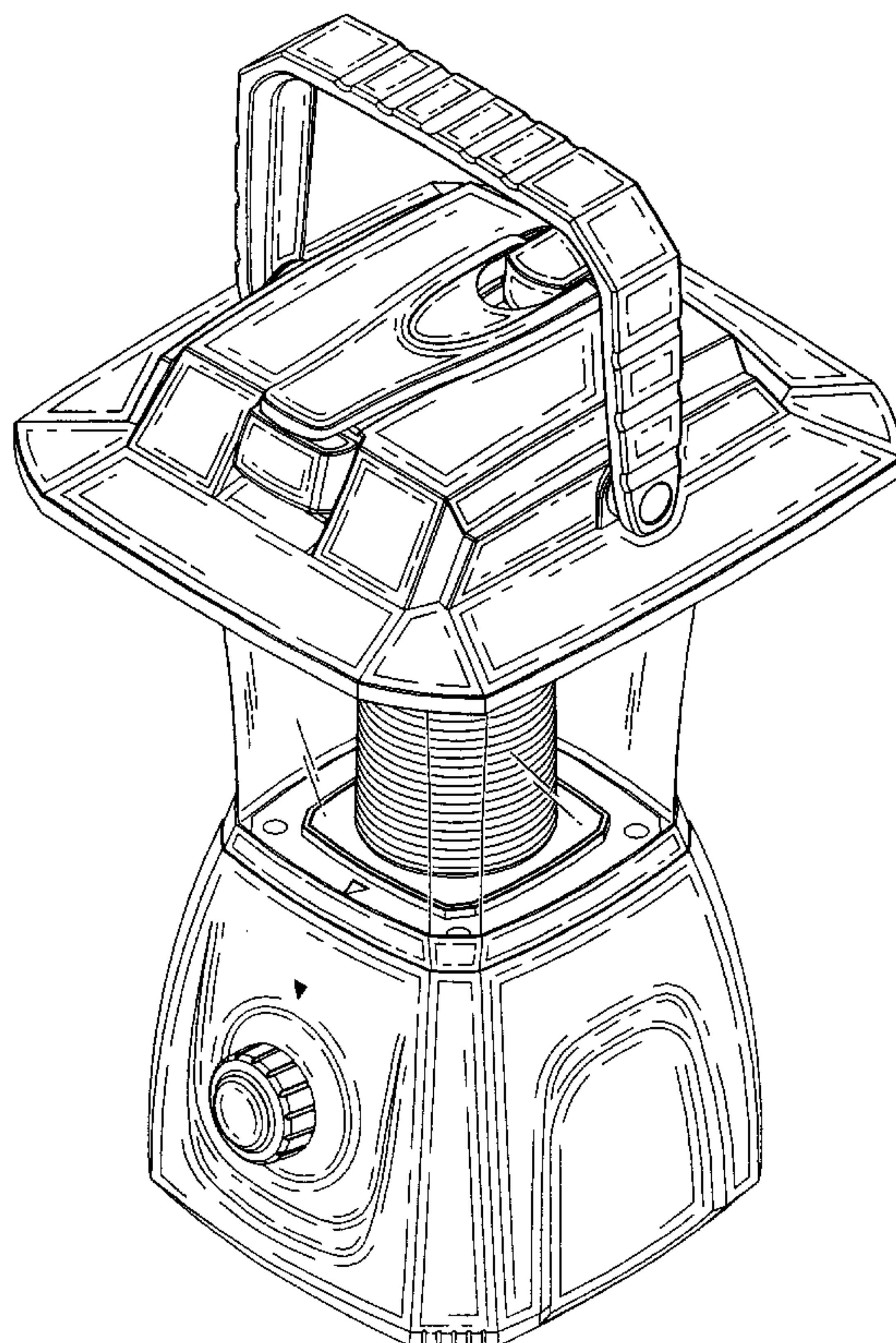
FIG. 4 is a top plan view thereof;

FIG. 5 is a bottom plan view thereof;

FIG. 6 is a left side elevational view thereof; and,

FIG. 7 is a right side elevational view thereof.

1 Claim, 7 Drawing Sheets



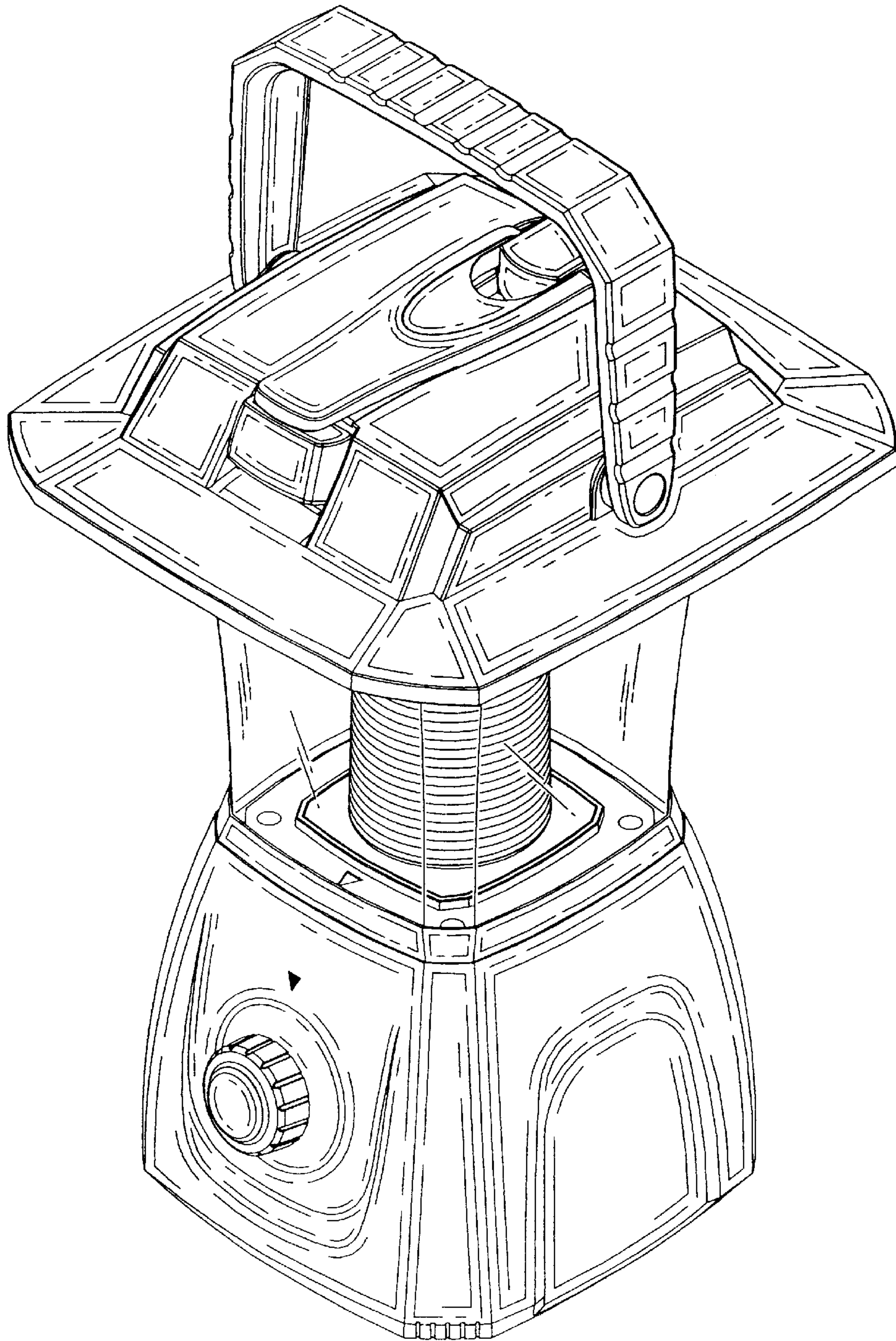


FIG. 1

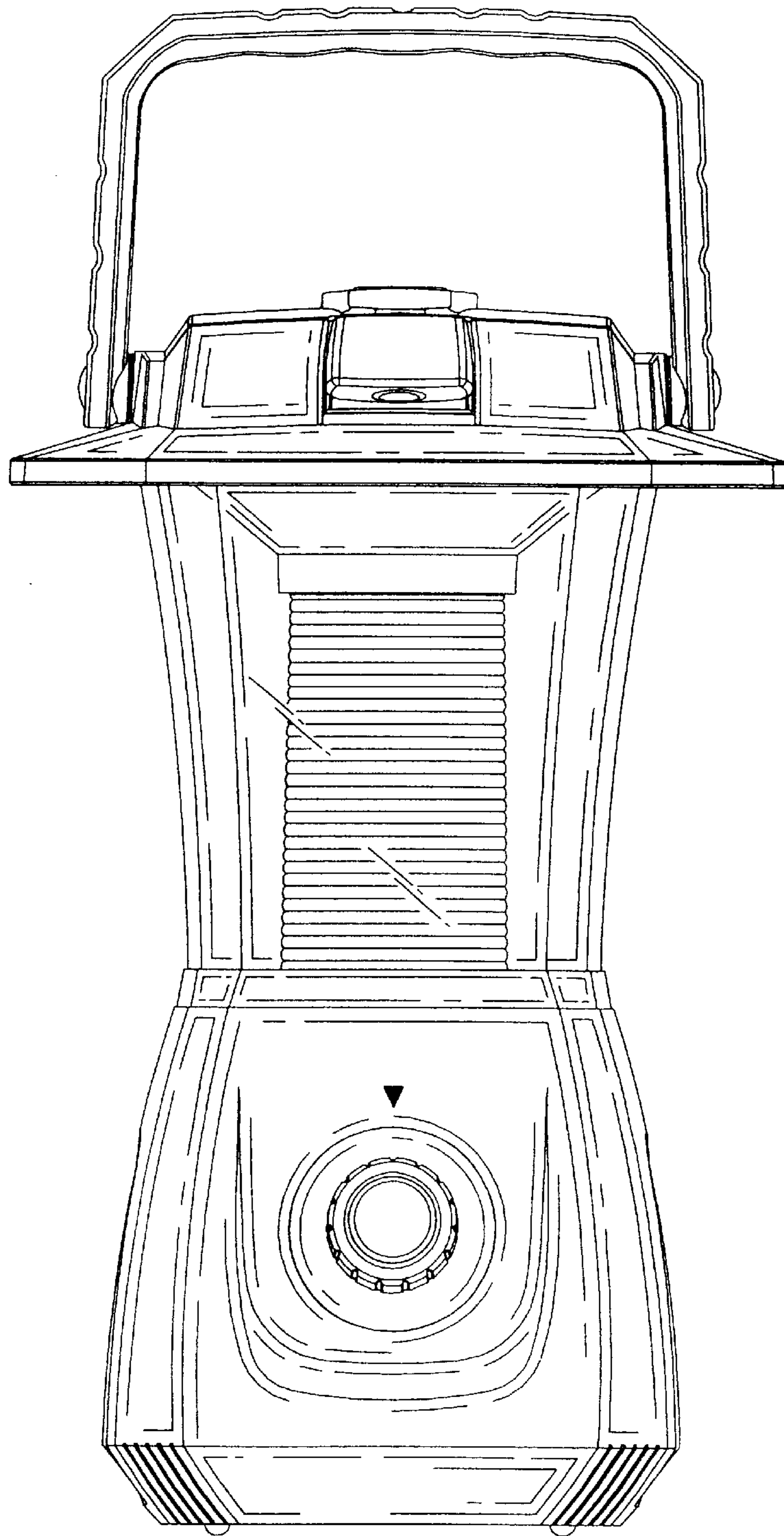


FIG. 2

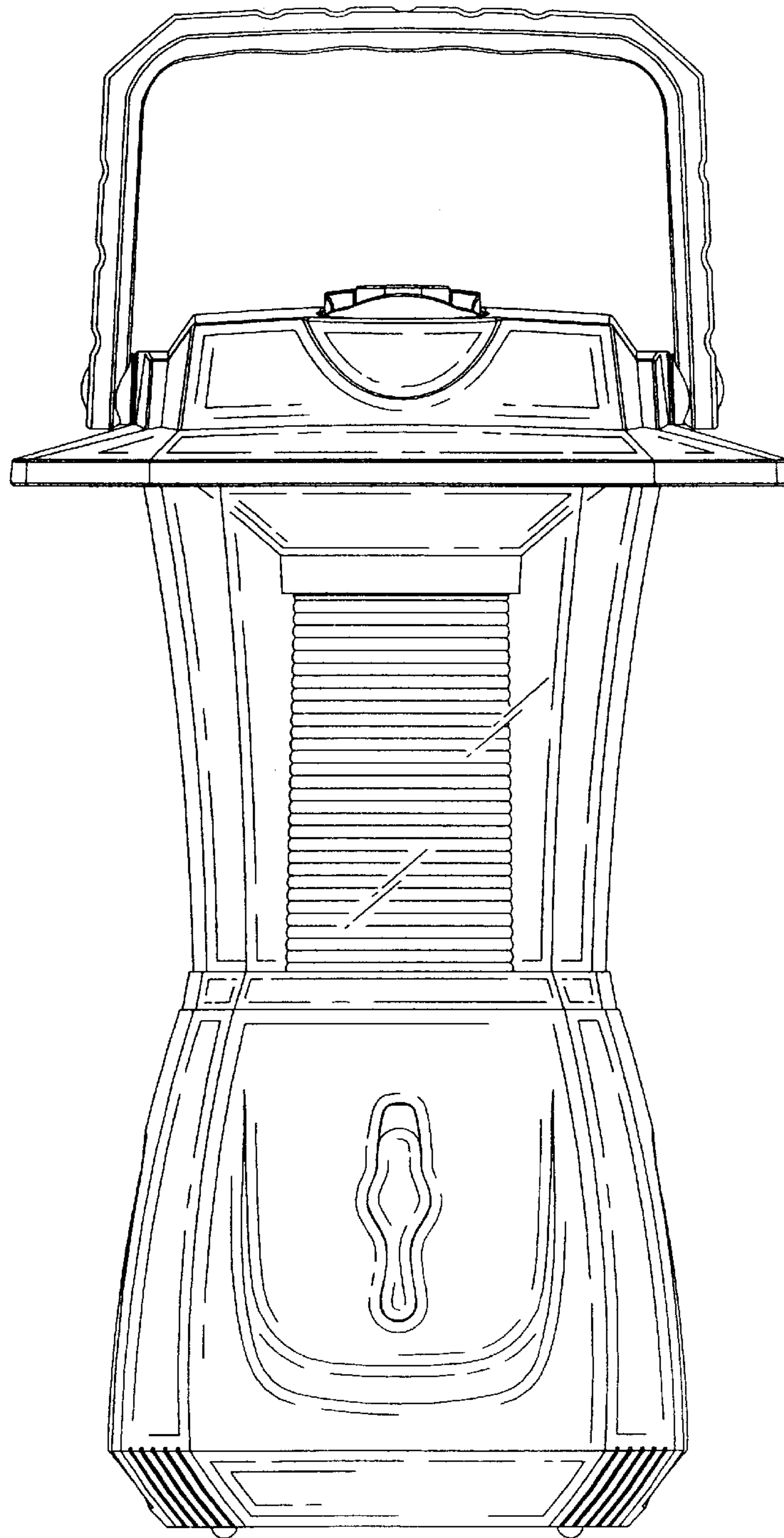


FIG. 3

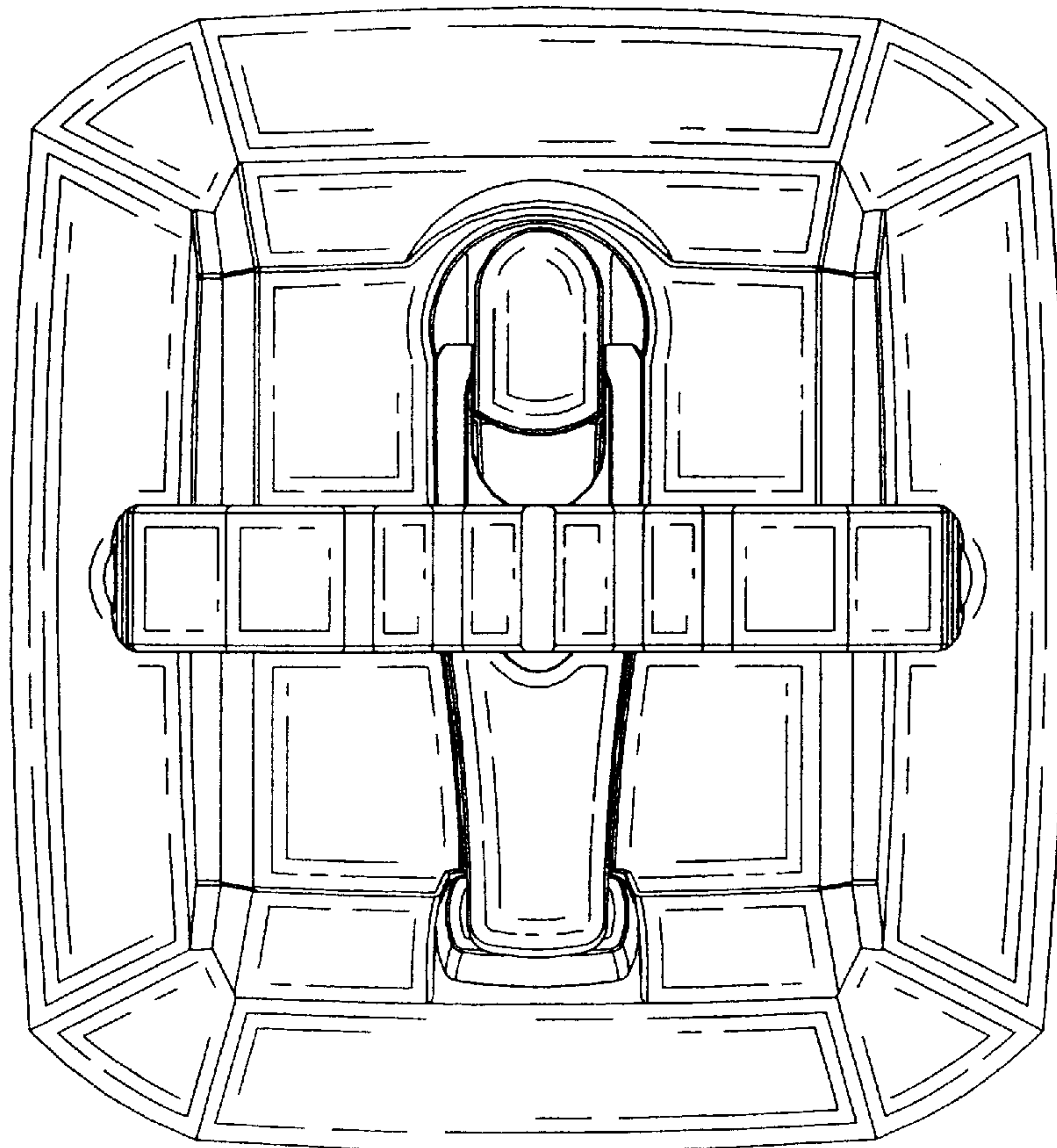


FIG. 4

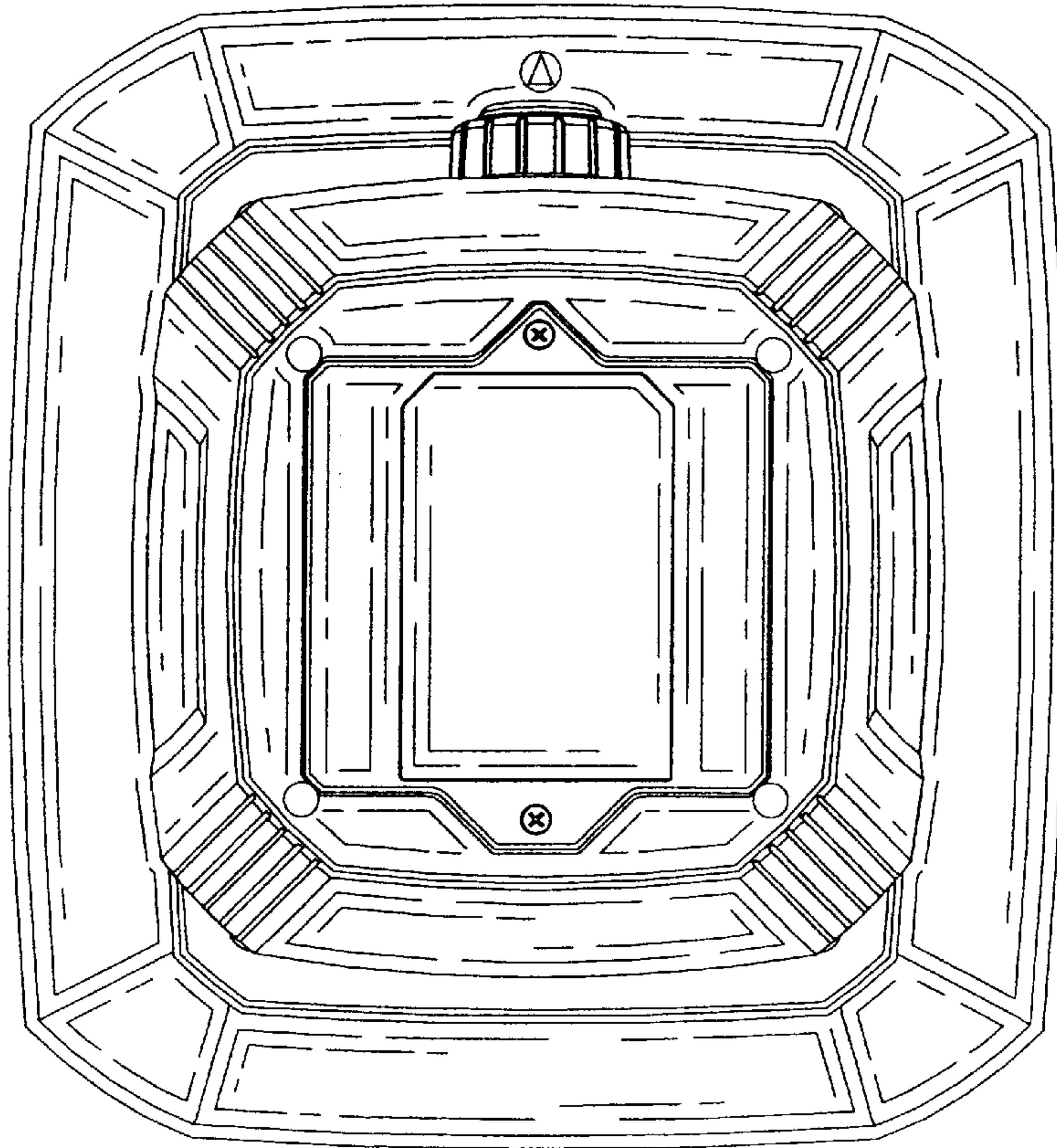


FIG. 5

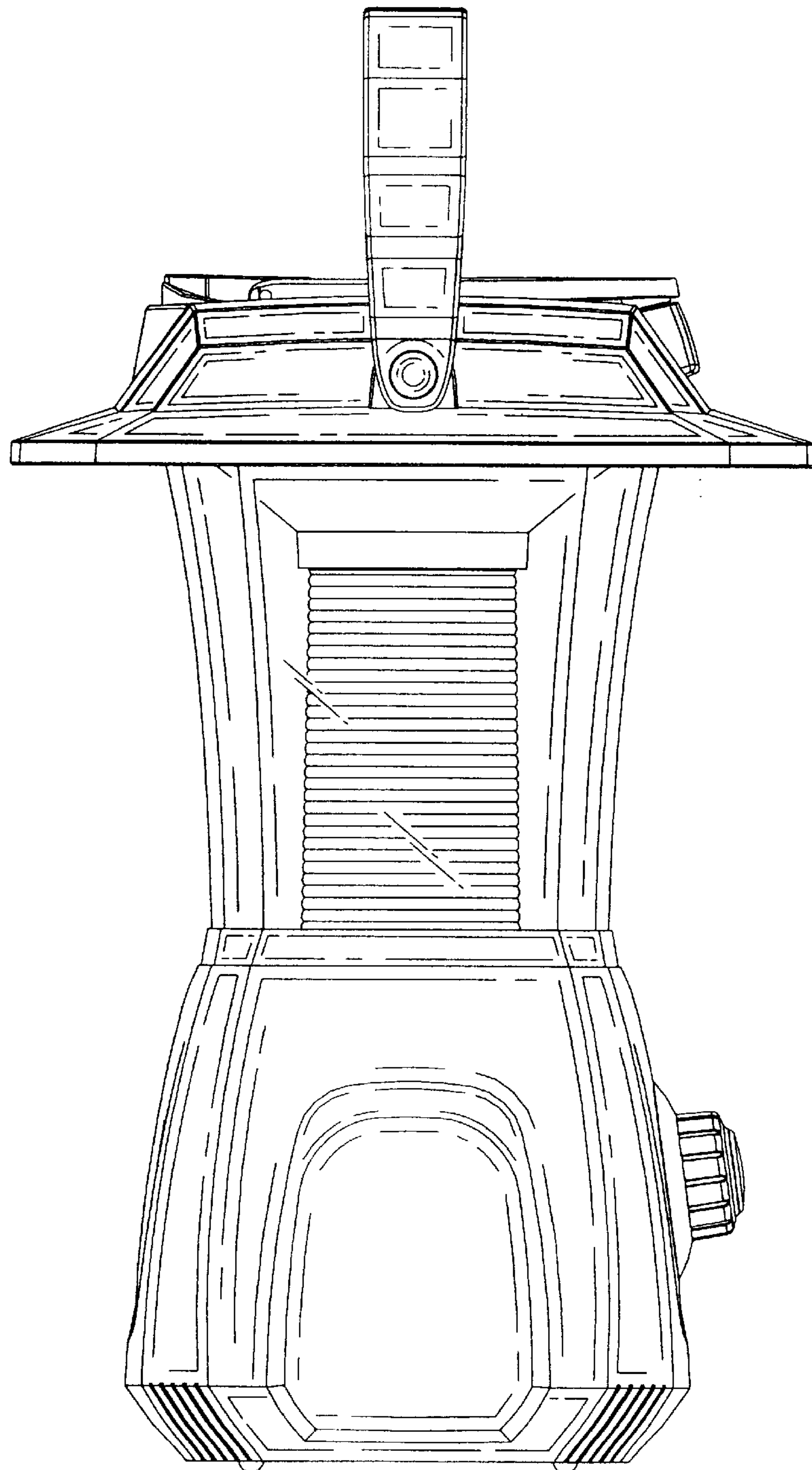


FIG. 6

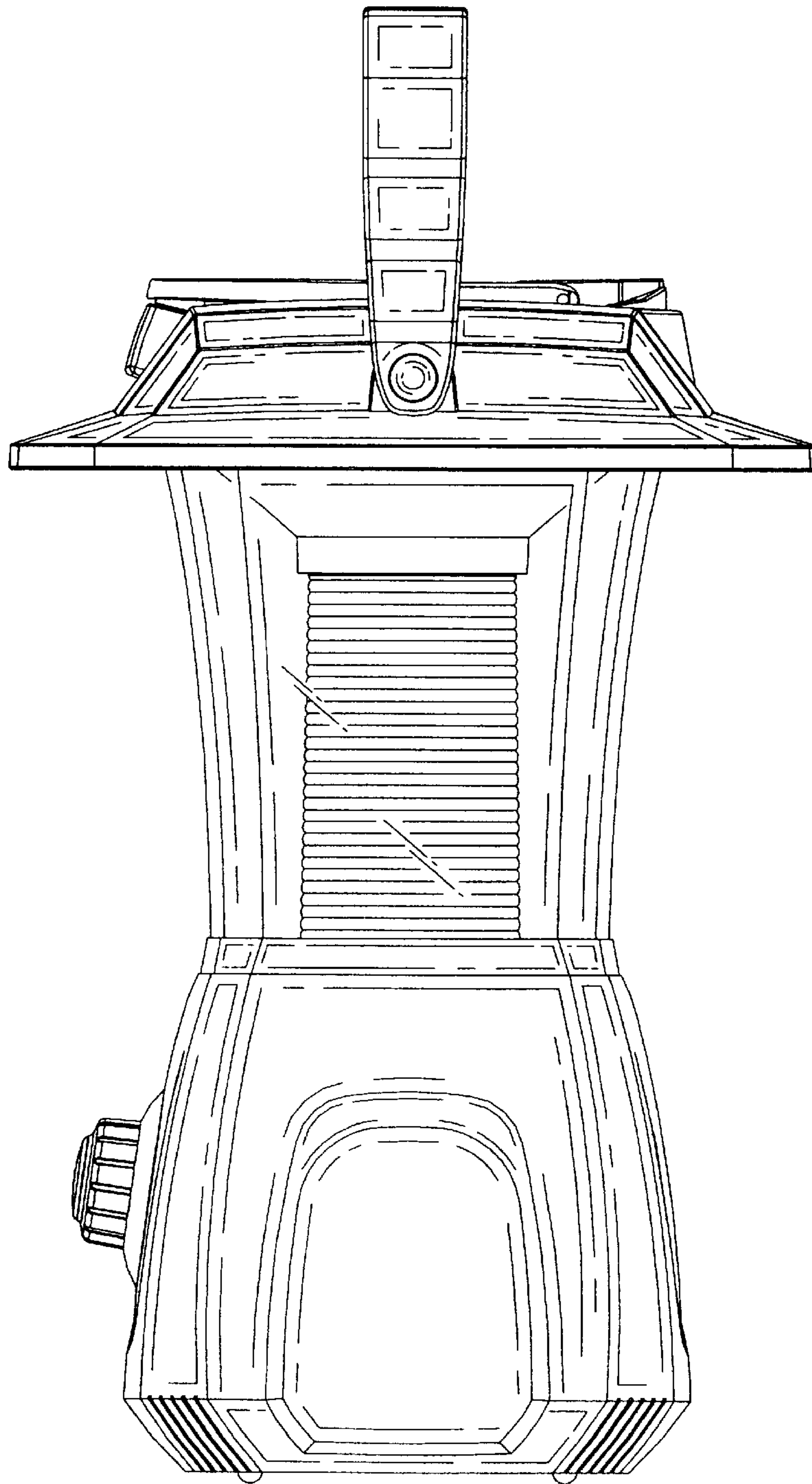


FIG. 7