



US00D542952S

(12) **United States Design Patent**
Bhavnani

(10) **Patent No.:** **US D542,952 S**

(45) **Date of Patent:** **** May 15, 2007**

(54) **KEYCHAIN FLASHLIGHT**

(75) Inventor: **Dilip Bhavnani**, Beverly Hills, CA
(US)

(73) Assignee: **Sun Coast Merchandise Corporation**,
Commerce, CA (US)

(**) Term: **14 Years**

(21) Appl. No.: **29/247,757**

(22) Filed: **Jul. 10, 2006**

(51) **LOC (8) Cl.** **26-02**

(52) **U.S. Cl.** **D26/37; D26/46**

(58) **Field of Classification Search** D26/37,
D26/46, 48, 38; D3/209; 362/116, 200, 259,
362/196, 183, 208, 205, 119, 120
See application file for complete search history.

(56) **References Cited**

U.S. PATENT DOCUMENTS

D336,688 S	*	6/1993	Osterhout	D26/46
5,268,829 A	*	12/1993	Lo	362/259
D395,720 S	*	6/1998	Galli	D26/37
D425,226 S	*	5/2000	Galli	D26/37
D488,921 S	*	4/2004	Zhang	D3/209
D489,889 S	*	5/2004	Zhang	D3/209
D496,479 S	*	9/2004	Ashfield	D26/37
D497,019 S	*	10/2004	Lee	D26/37

* cited by examiner

Primary Examiner—Ian Simmons

Assistant Examiner—Carissa Fitts

(74) *Attorney, Agent, or Firm*—The Soni Law Firm

(57) **CLAIM**

The ornamental design for a keychain flashlight, as shown and described.

DESCRIPTION

FIG. 1 is a top front side perspective view of my new design with the phantom lines depicting environmental structure and forming no part of the claimed design;

FIG. 2 is a top plan view thereof with the phantom lines depicting environmental structure and forming no part of the claimed design;

FIG. 3 is a side elevational view thereof with the phantom lines depicting environmental structure and forming no part of the claimed design;

FIG. 4 is a front elevational view thereof with the phantom lines depicting environmental structure and forming no part of the claimed design;

FIG. 5 is a bottom plan view thereof with the phantom lines depicting environmental structure and forming no part of the claimed design; and,

FIG. 6 is a back elevational view thereof with the phantom lines depicting environmental structure and forming no part of the claimed design.

1 Claim, 2 Drawing Sheets

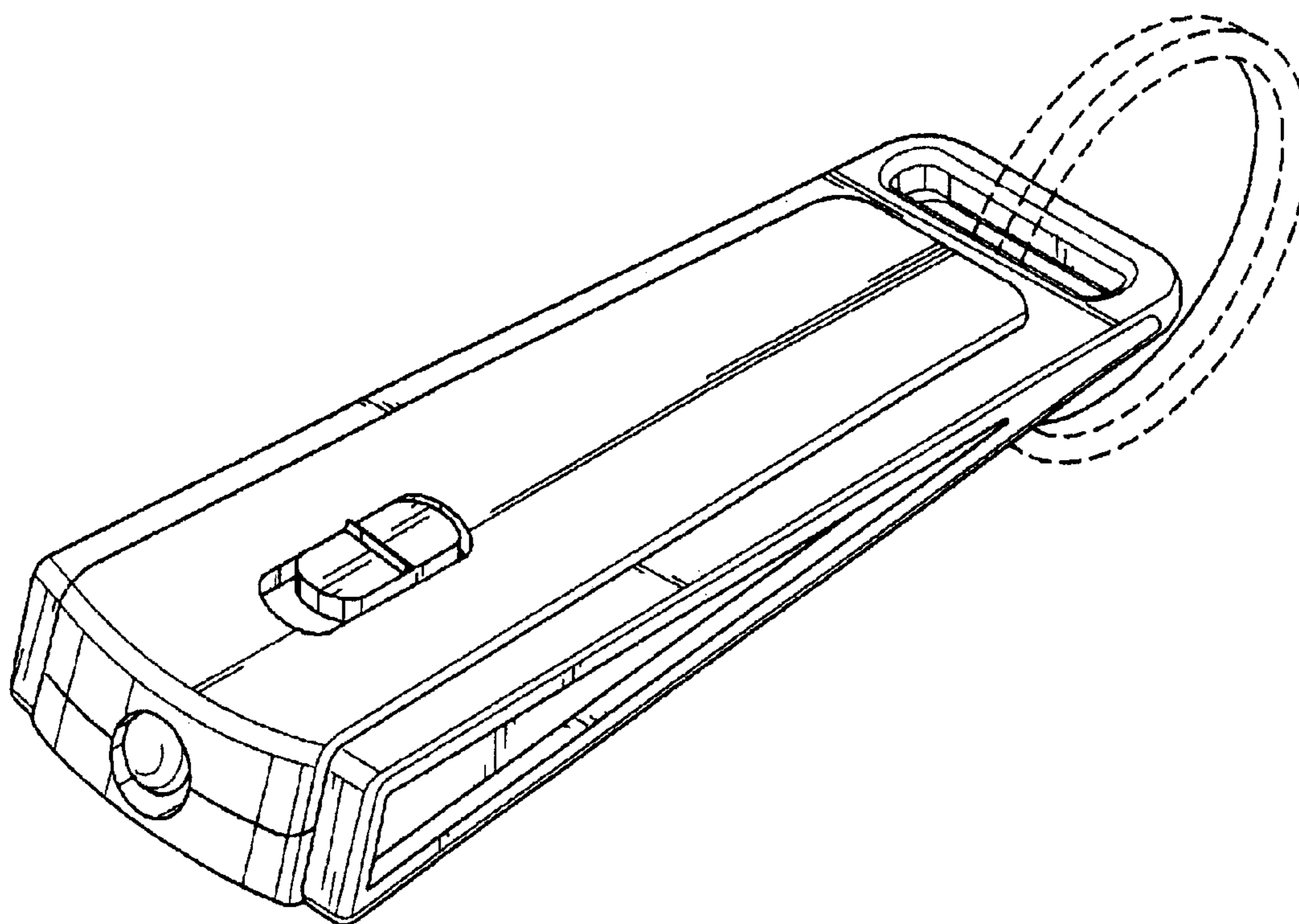


FIG. 1

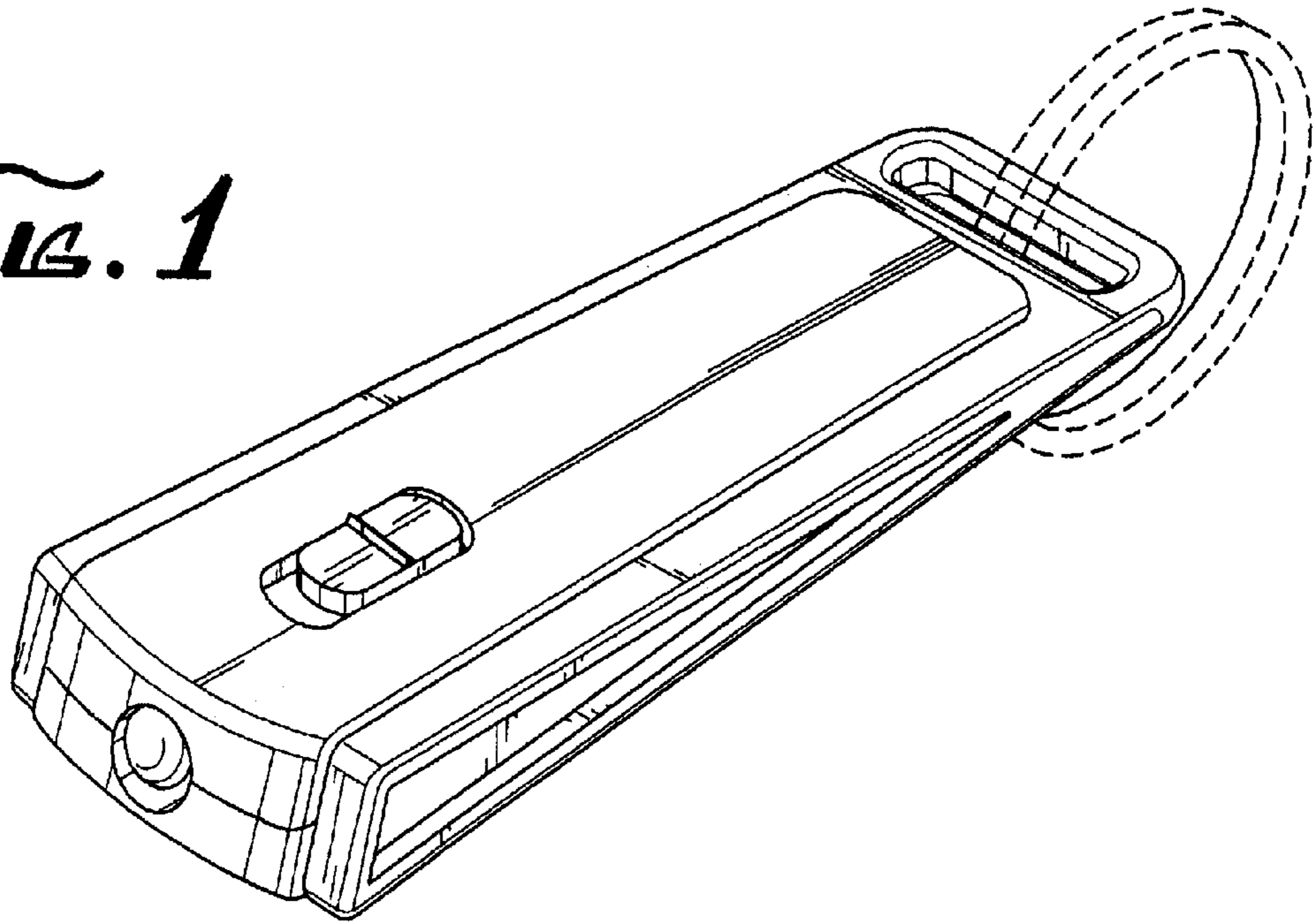


FIG. 2

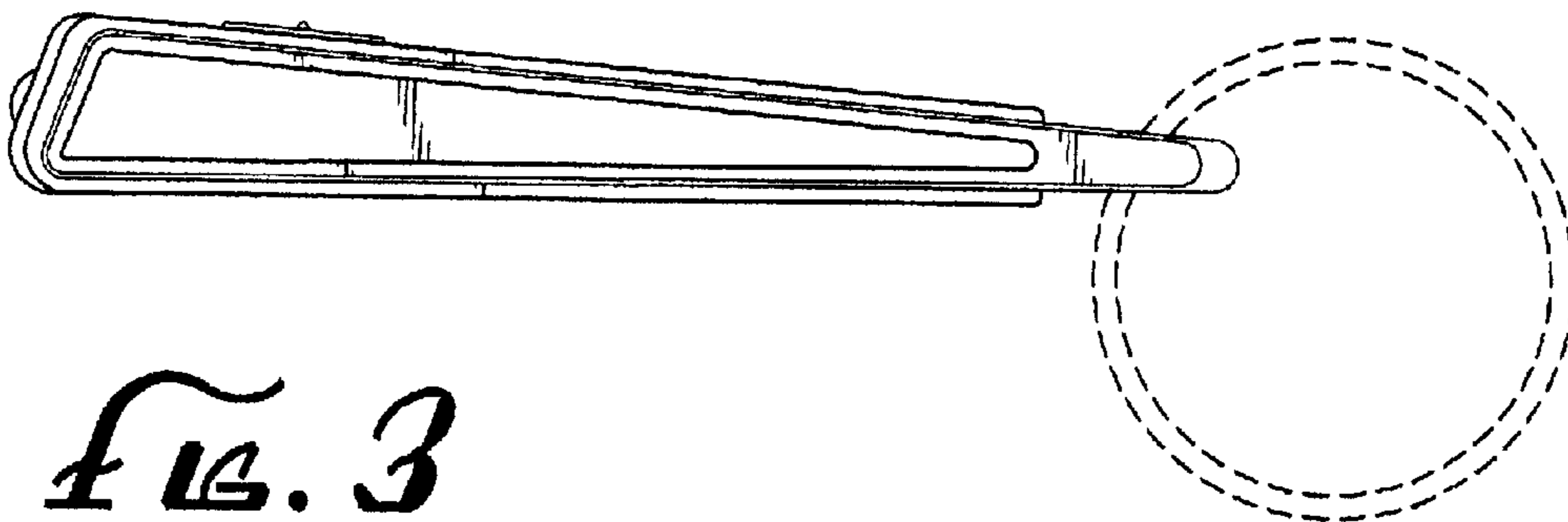
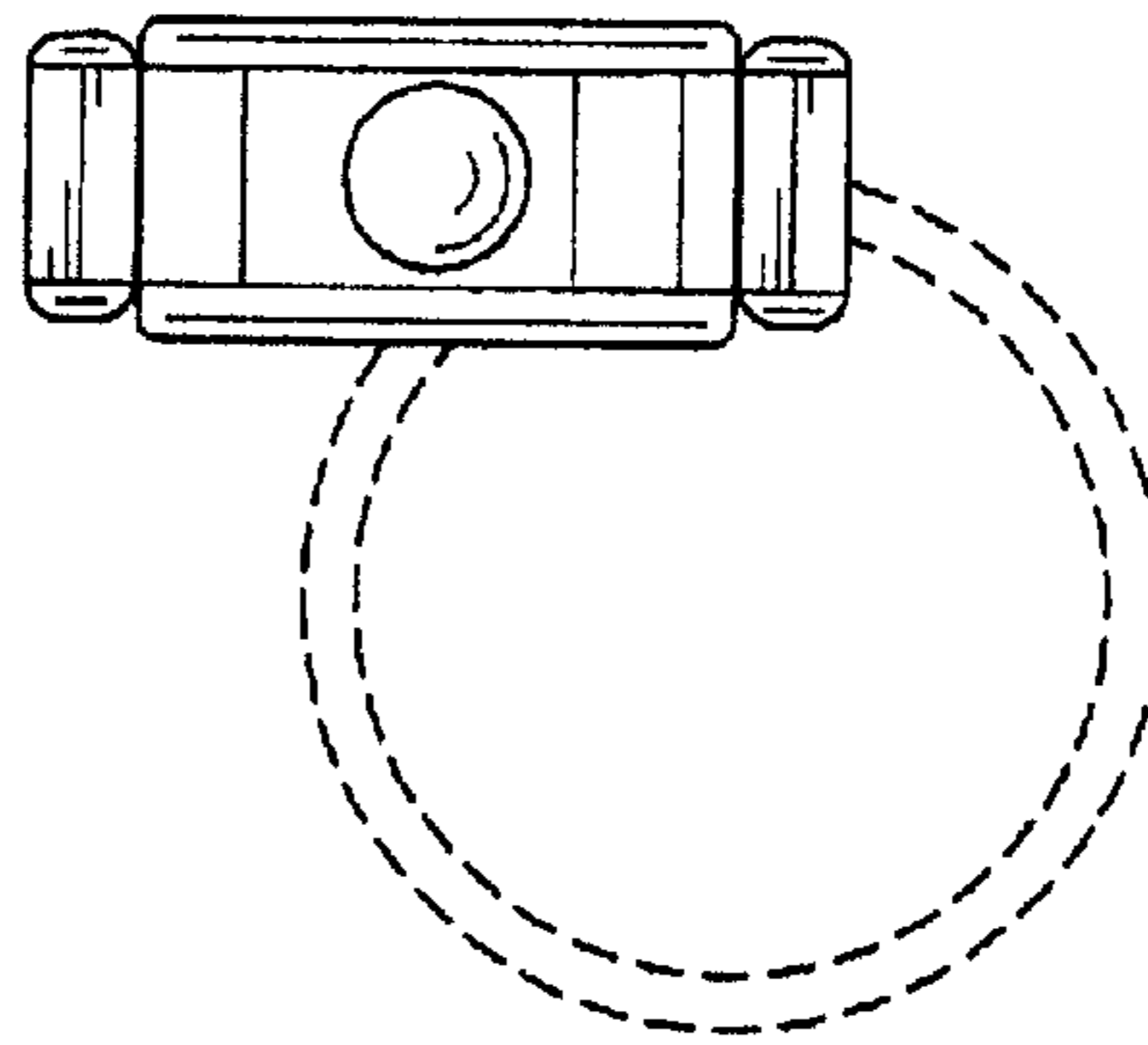


FIG. 3

FIG. 4

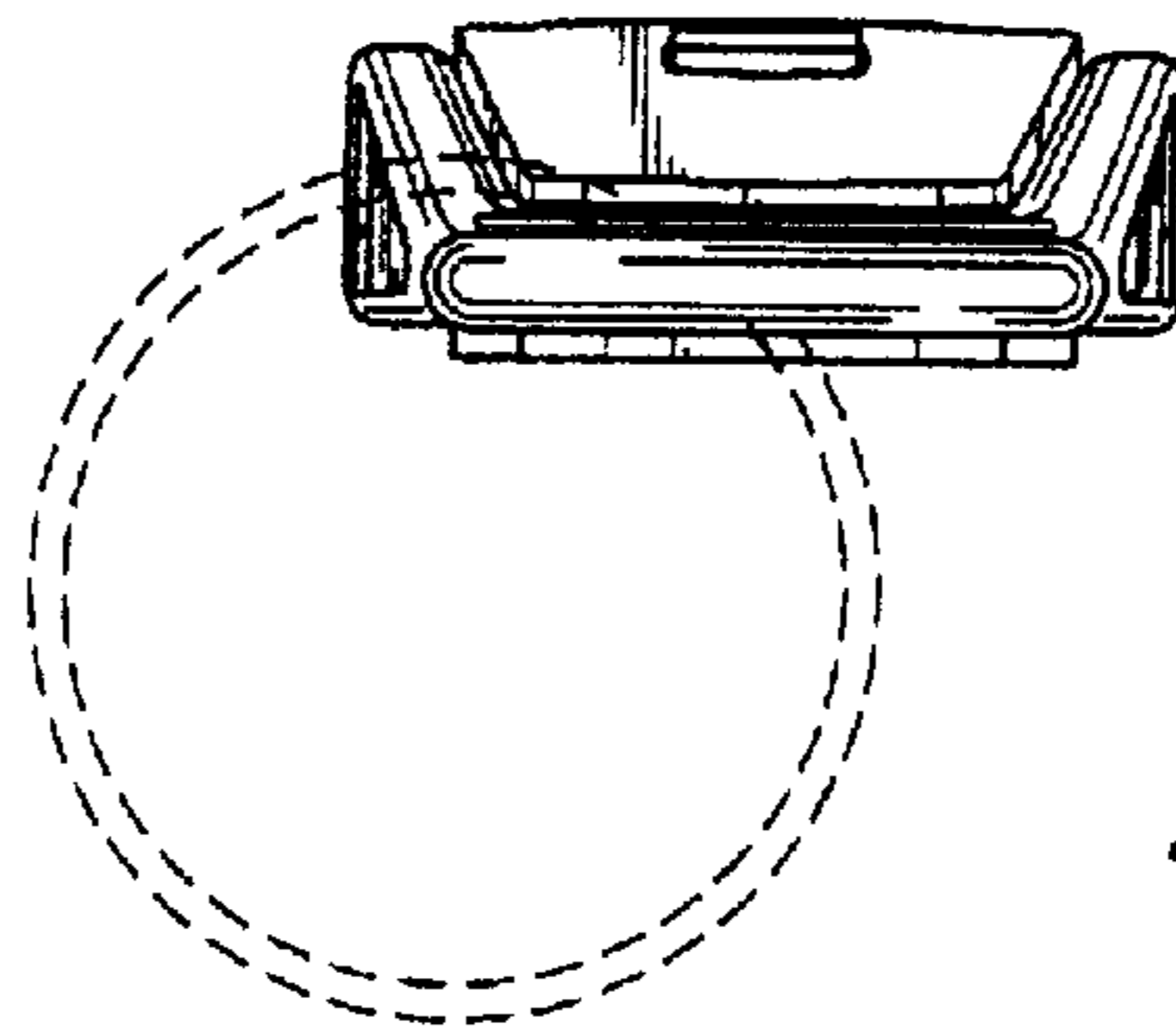
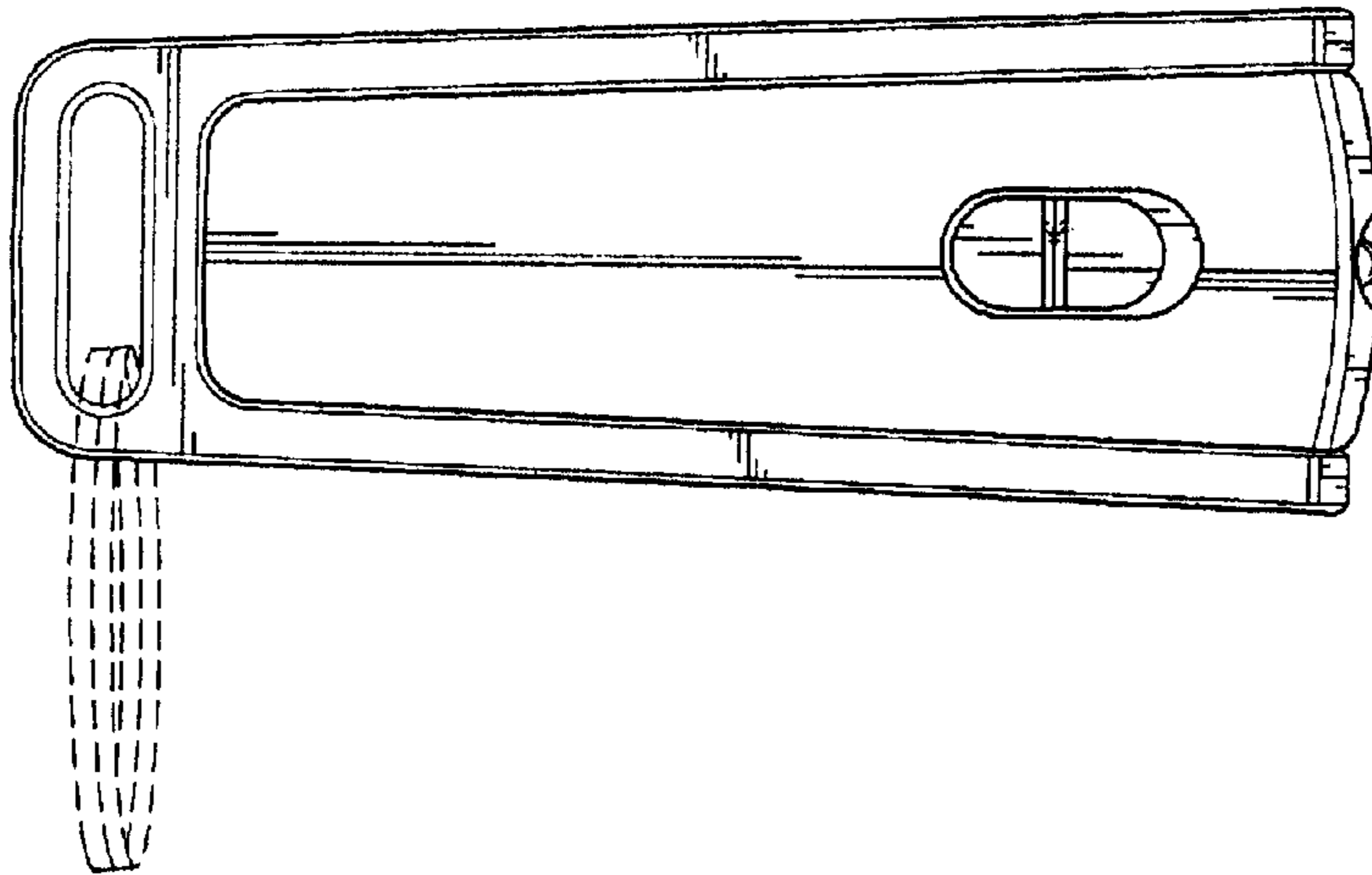


FIG. 5

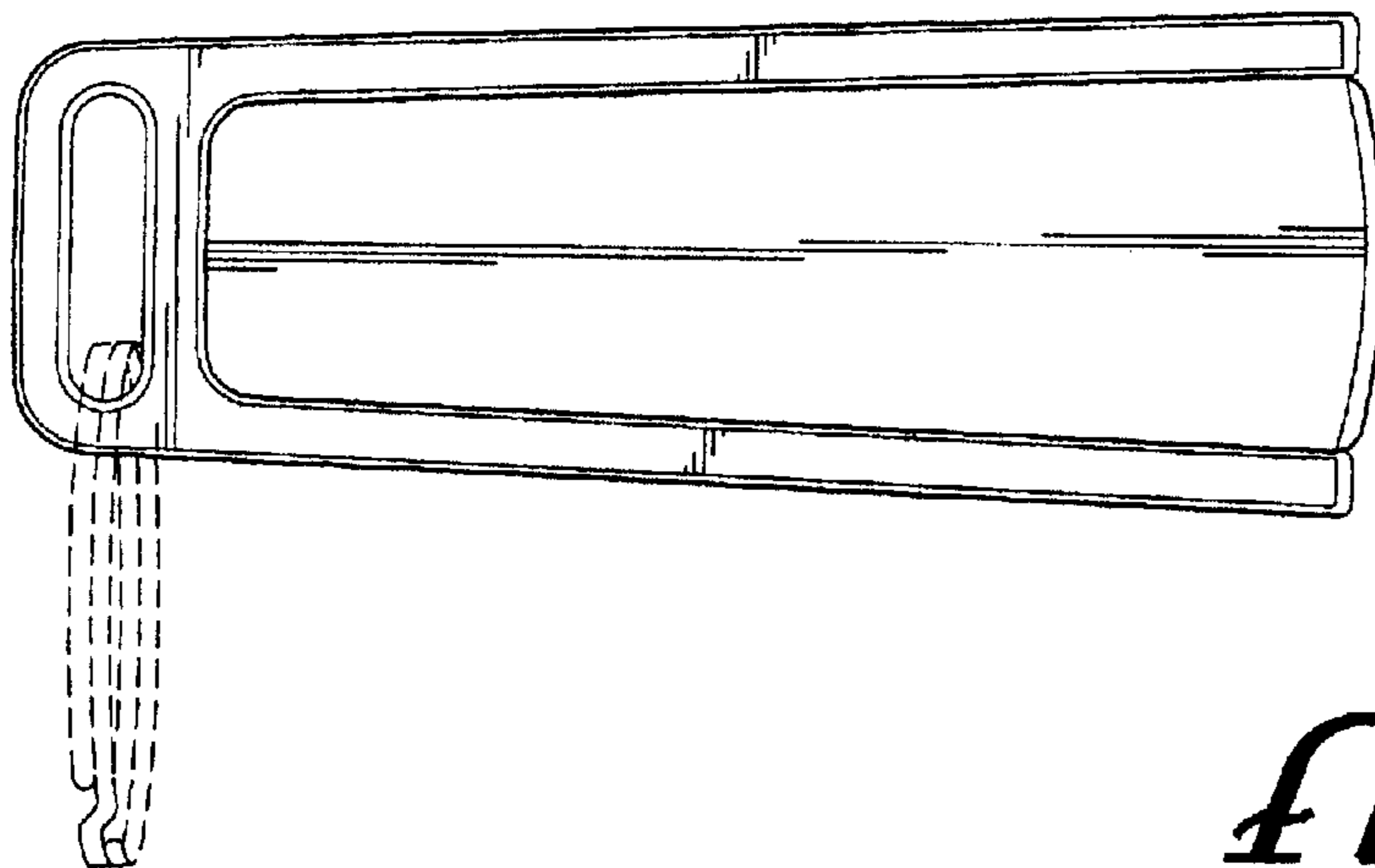


FIG. 6