



US00D542951S

(12) **United States Design Patent** (10) **Patent No.:** **US D542,951 S**
Yeh (45) **Date of Patent:** **** May 15, 2007**

(54) **EXTERIOR VEHICLE LIGHT**

(76) Inventor: **Peter Yeh**, No. 10, Lane 808,
Chungshan Rd, Hsinhua Chen, Tainan
Hsien (TW)

(**) Term: **14 Years**

(21) Appl. No.: **29/262,500**

(22) Filed: **Jul. 5, 2006**

(51) **LOC (8) Cl.** **26-06**

(52) **U.S. Cl.** **D26/28**

(58) **Field of Classification Search** D26/28-36;
362/459-468, 475-478, 485-487
See application file for complete search history.

(56) **References Cited**

U.S. PATENT DOCUMENTS

D479,349 S	*	9/2003	Kuo	D26/28
D492,802 S	*	7/2004	Kuo	D26/28
D516,236 S	*	2/2006	Yeh	D26/89

* cited by examiner

Primary Examiner—Marcus A. Jackson
(74) *Attorney, Agent, or Firm*—Rosenberg, Klein & Lee

(57) **CLAIM**

The ornamental design for an exterior vehicle light, as shown and described.

DESCRIPTION

FIG. 1 is a perspective view of an exterior vehicle light in accordance with my new design;

FIG. 2 is a front view of the exterior vehicle light in FIG. 1;

FIG. 3 is a rear view of the exterior vehicle light in FIG. 1;

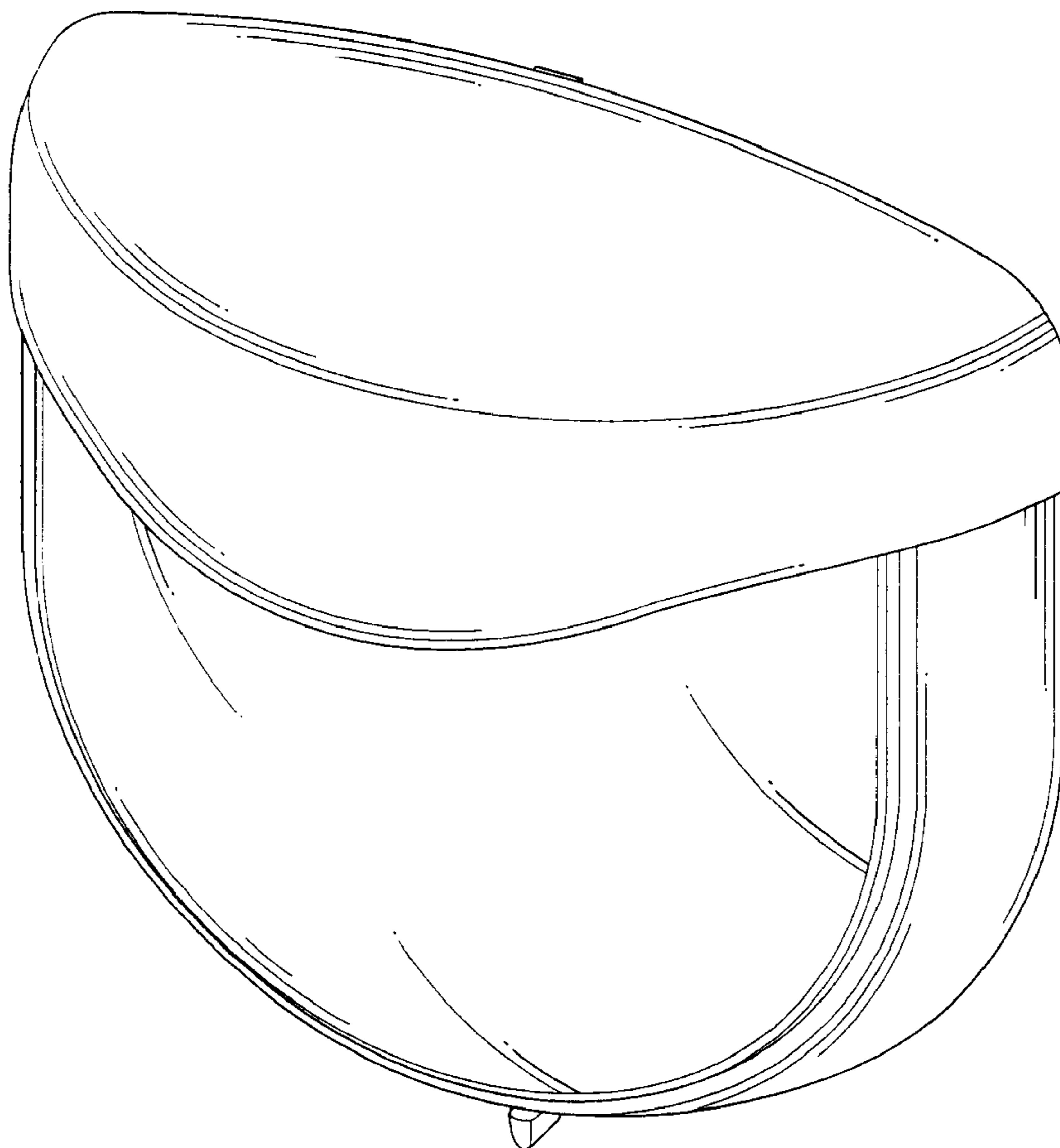
FIG. 4 is a left side view of the exterior vehicle light in FIG. 1;

FIG. 5 is a right side view of the exterior vehicle light in FIG. 1;

FIG. 6 is a top view of the exterior vehicle light in FIG. 1; and,

FIG. 7 is a bottom view of the exterior vehicle light in FIG. 1.

1 Claim, 5 Drawing Sheets



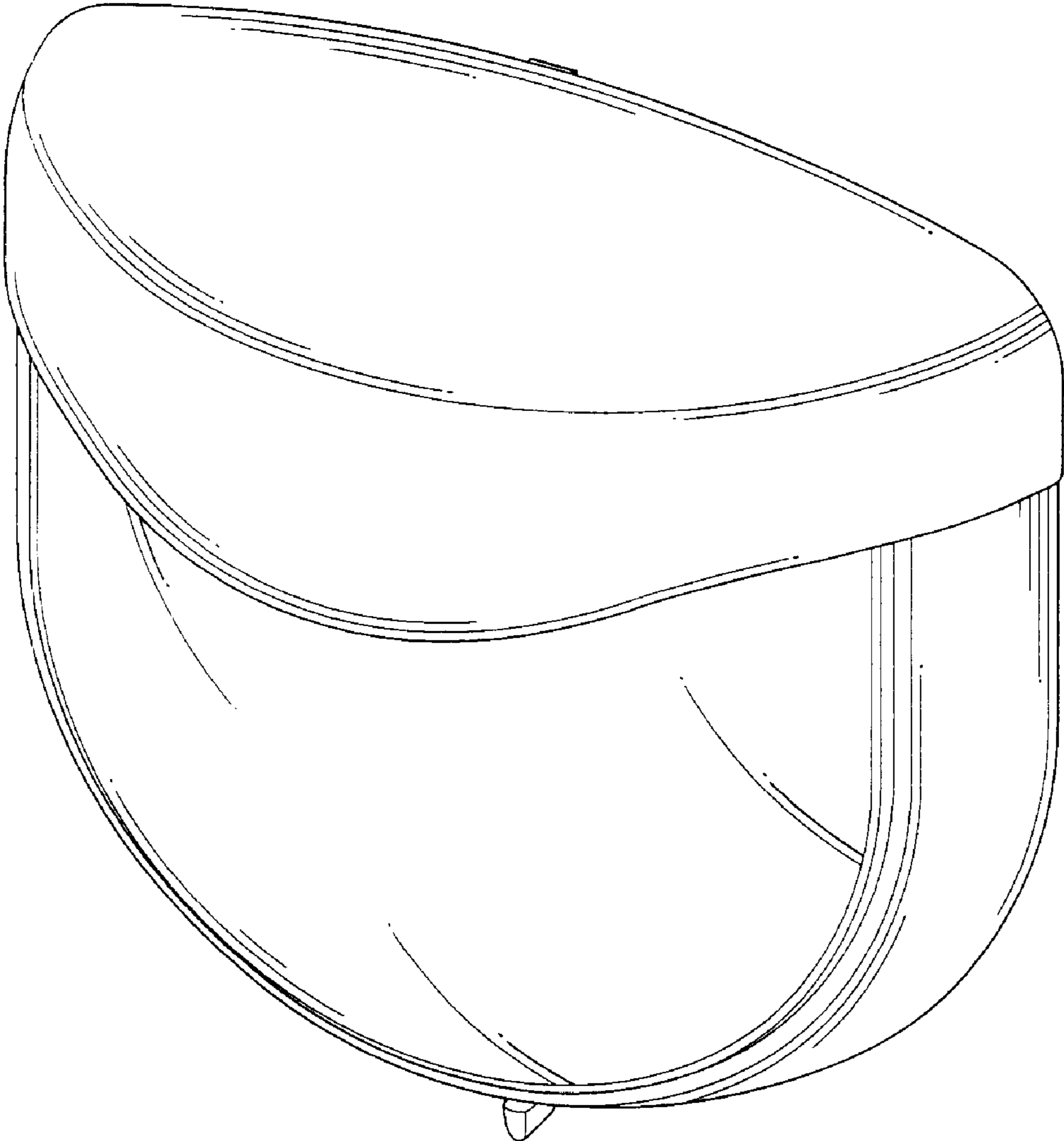


FIG.1

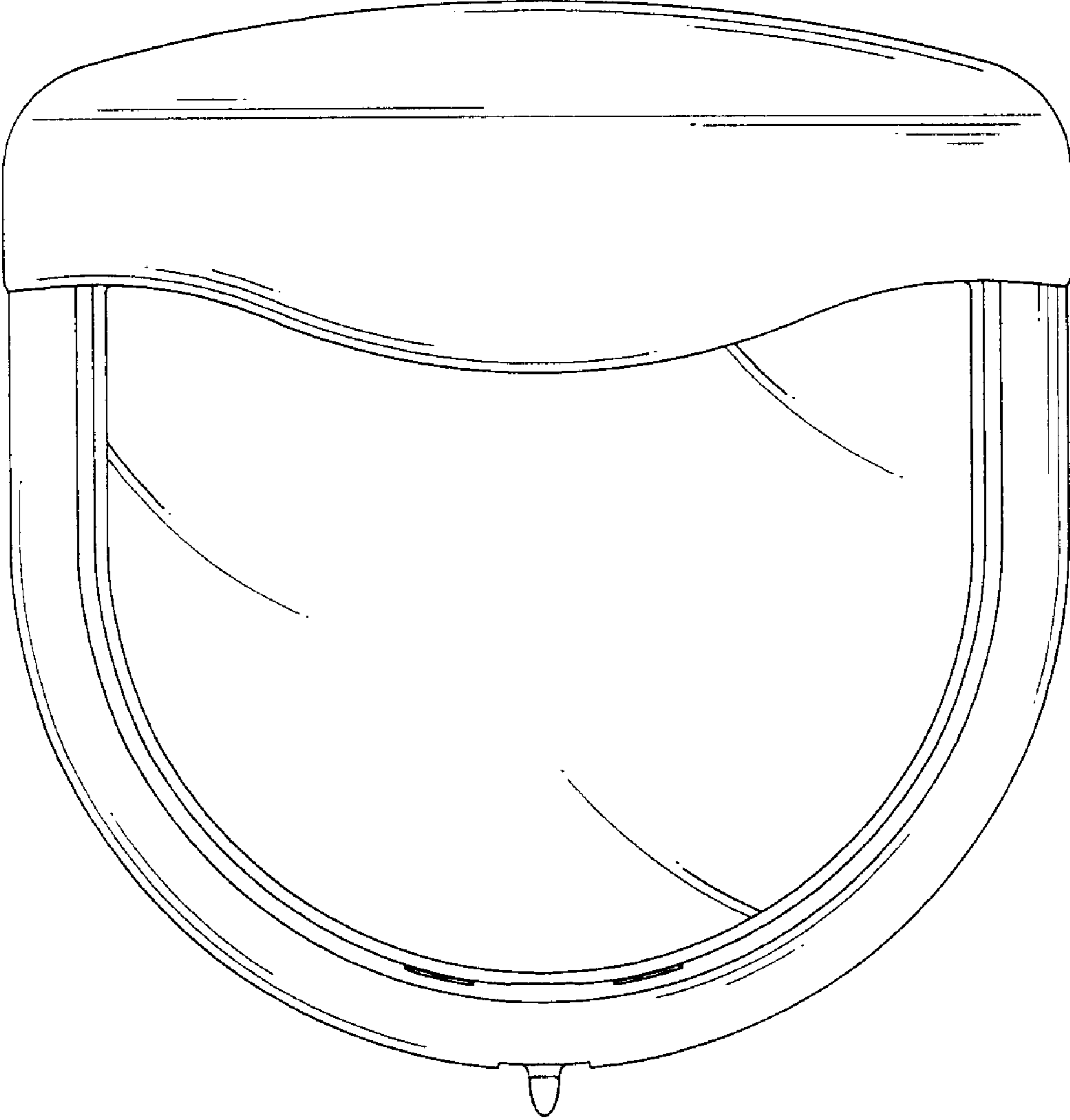


FIG.2

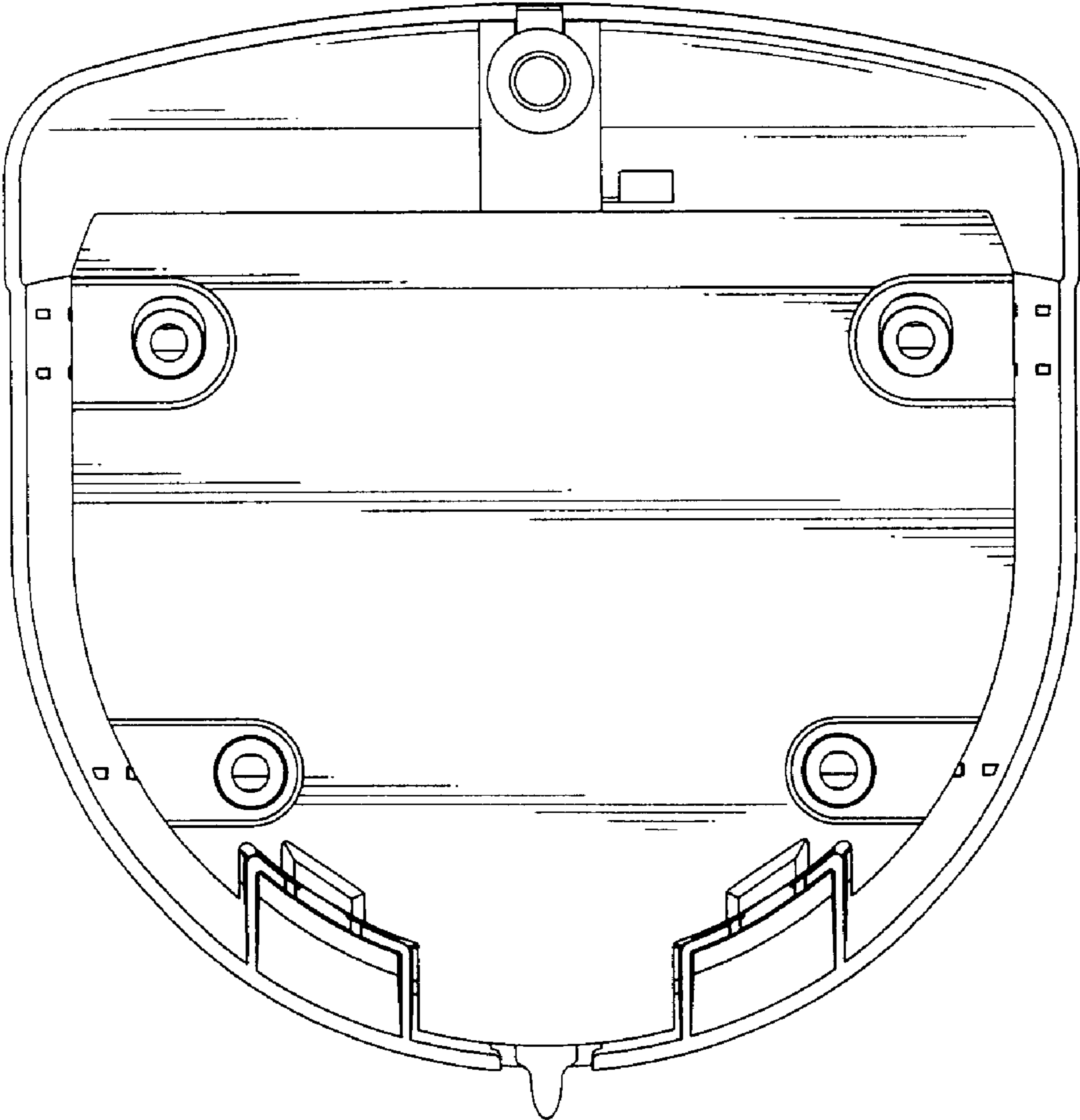


FIG.3

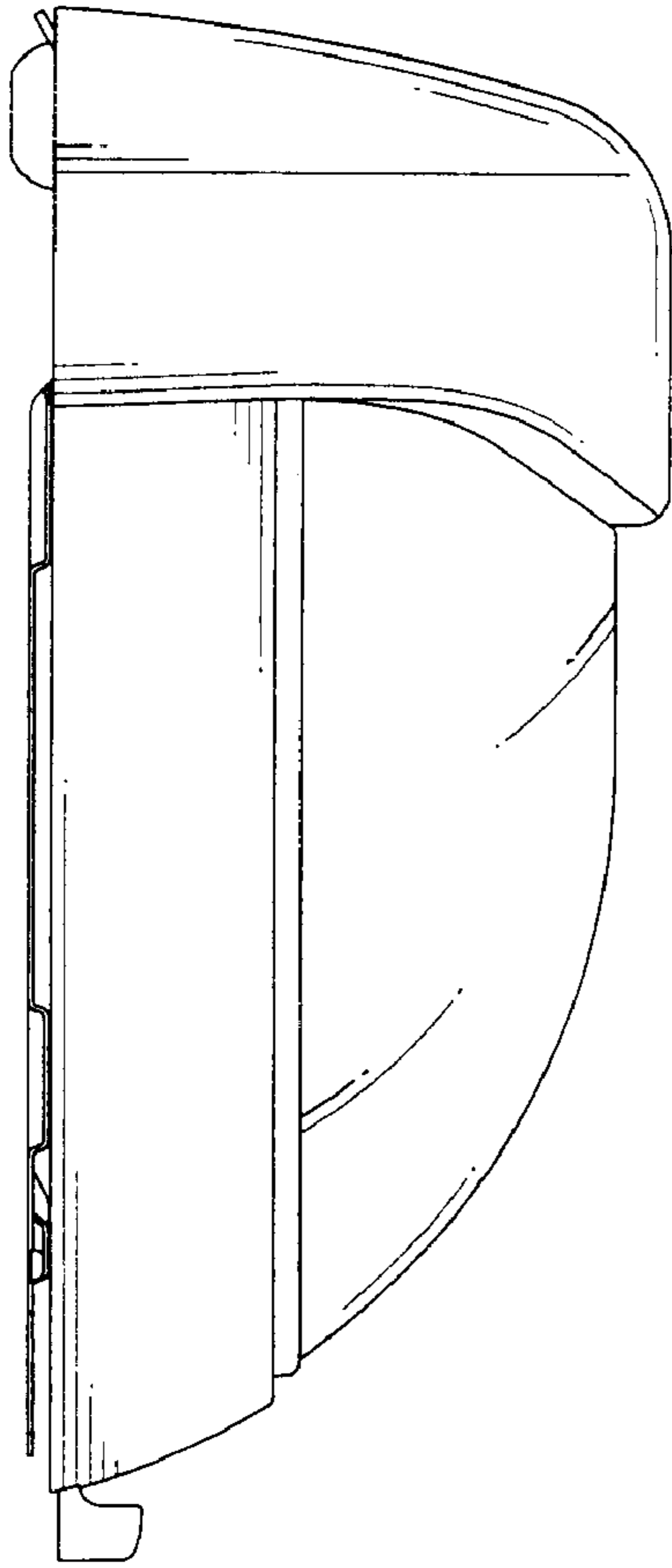


FIG. 4

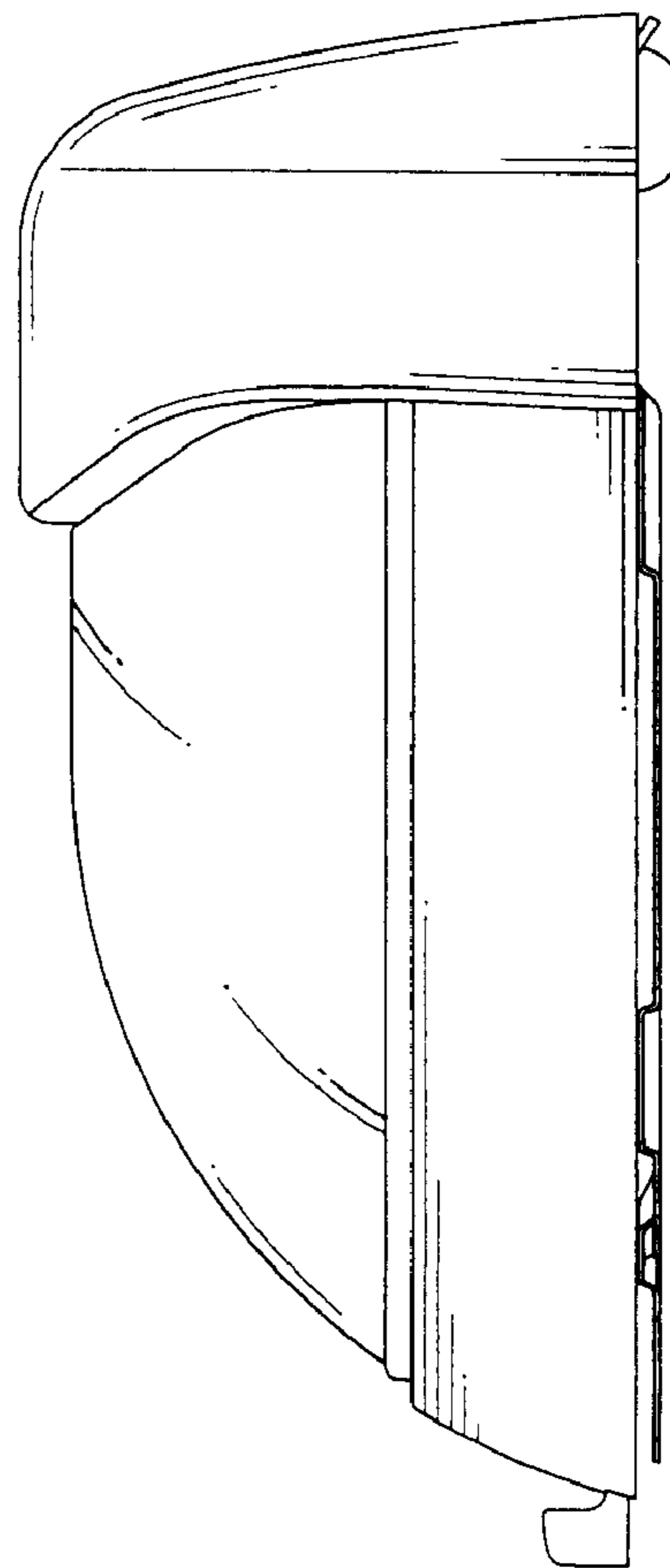


FIG. 5

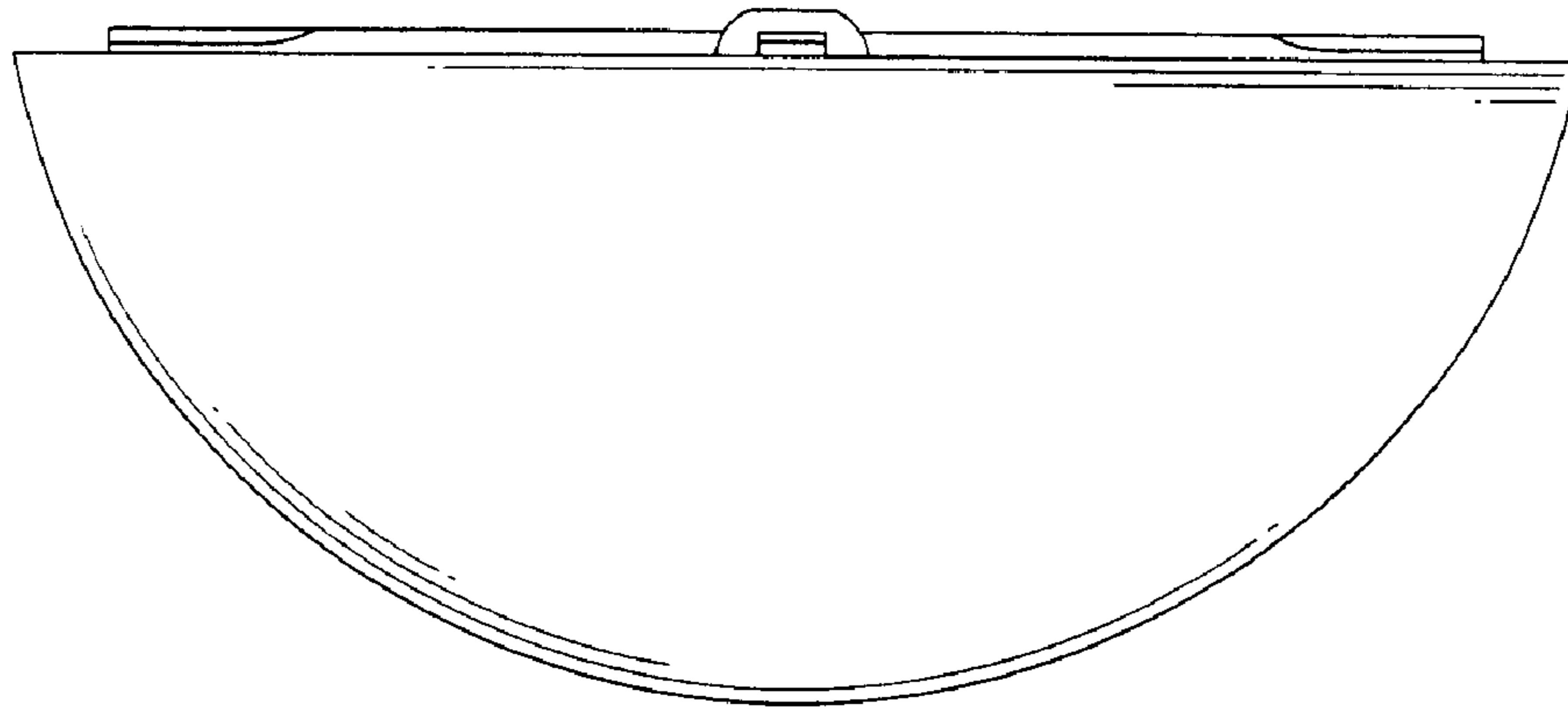


FIG. 6

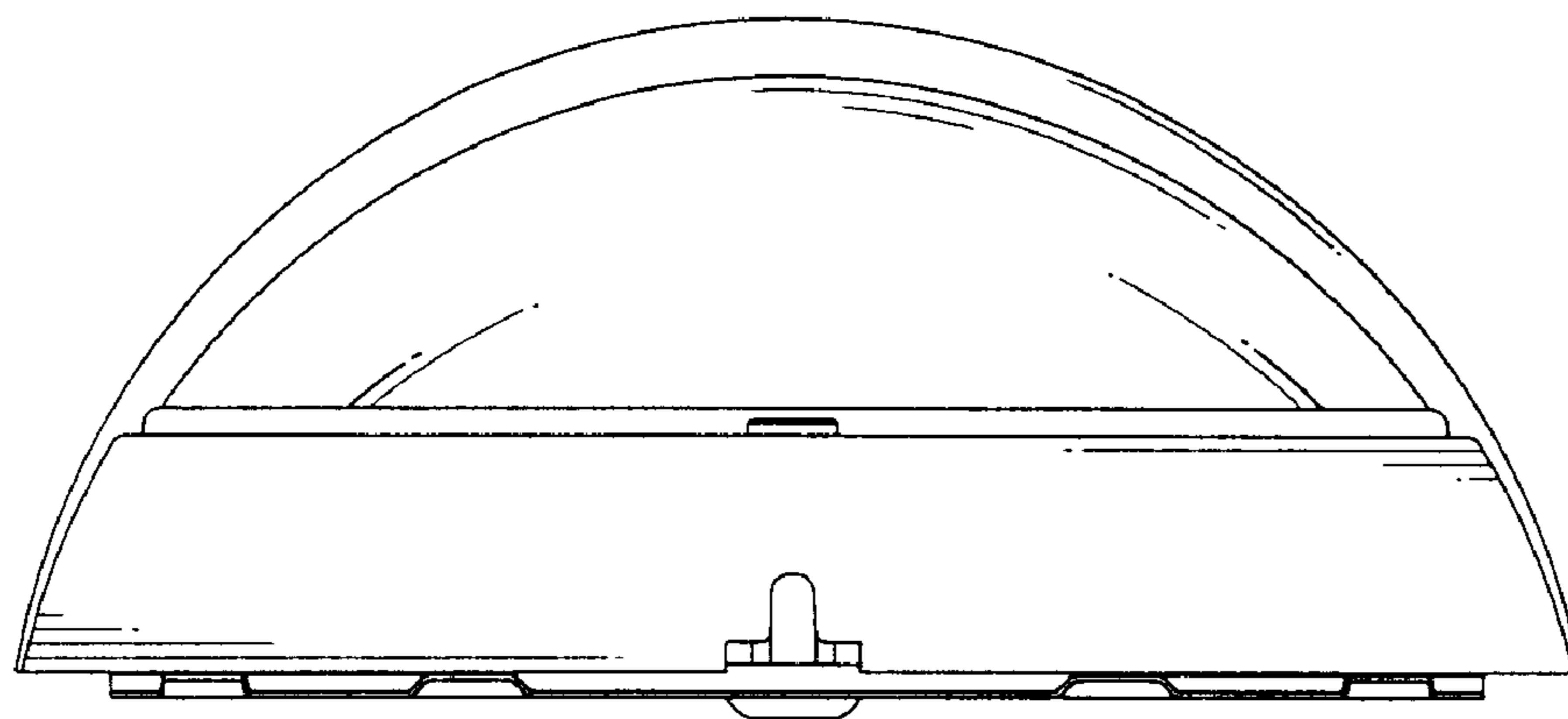


FIG. 7