



US00D542949S

(12) **United States Design Patent** (10) **Patent No.:** **US D542,949 S**
Lin (45) **Date of Patent:** **** May 15, 2007**

(54) **EXTERIOR SURFACE CONFIGURATION OF A VEHICLE REAR LIGHT**

(76) Inventor: **Yu-Chu Lin**, No. 477, Chung Shan N. Rd., Tainan Hsien, Yung Kang City (TW)

(**) Term: **14 Years**

(21) Appl. No.: **29/247,789**

(22) Filed: **Jul. 12, 2006**

(51) **LOC (8) Cl.** **26-06**

(52) **U.S. Cl.** **D26/28**

(58) **Field of Classification Search** D26/28-36;
362/459-468, 475-478, 485-487

See application file for complete search history.

(56) **References Cited**

U.S. PATENT DOCUMENTS

D523,978 S	*	6/2006	Chuang	D26/28
D524,465 S	*	7/2006	Chuang	D26/28
D532,535 S	*	11/2006	Lin	D26/28

* cited by examiner

Primary Examiner—Marcus A. Jackson
(74) *Attorney, Agent, or Firm*—Anthony S. King; WPAT, P.C.

(57) **CLAIM**

I claim, the ornamental design for an exterior surface configuration of a vehicle rear light, as shown and described.

DESCRIPTION

FIG. 1 is a perspective view from the front right of an exterior surface configuration of a vehicle rear light showing my present design;

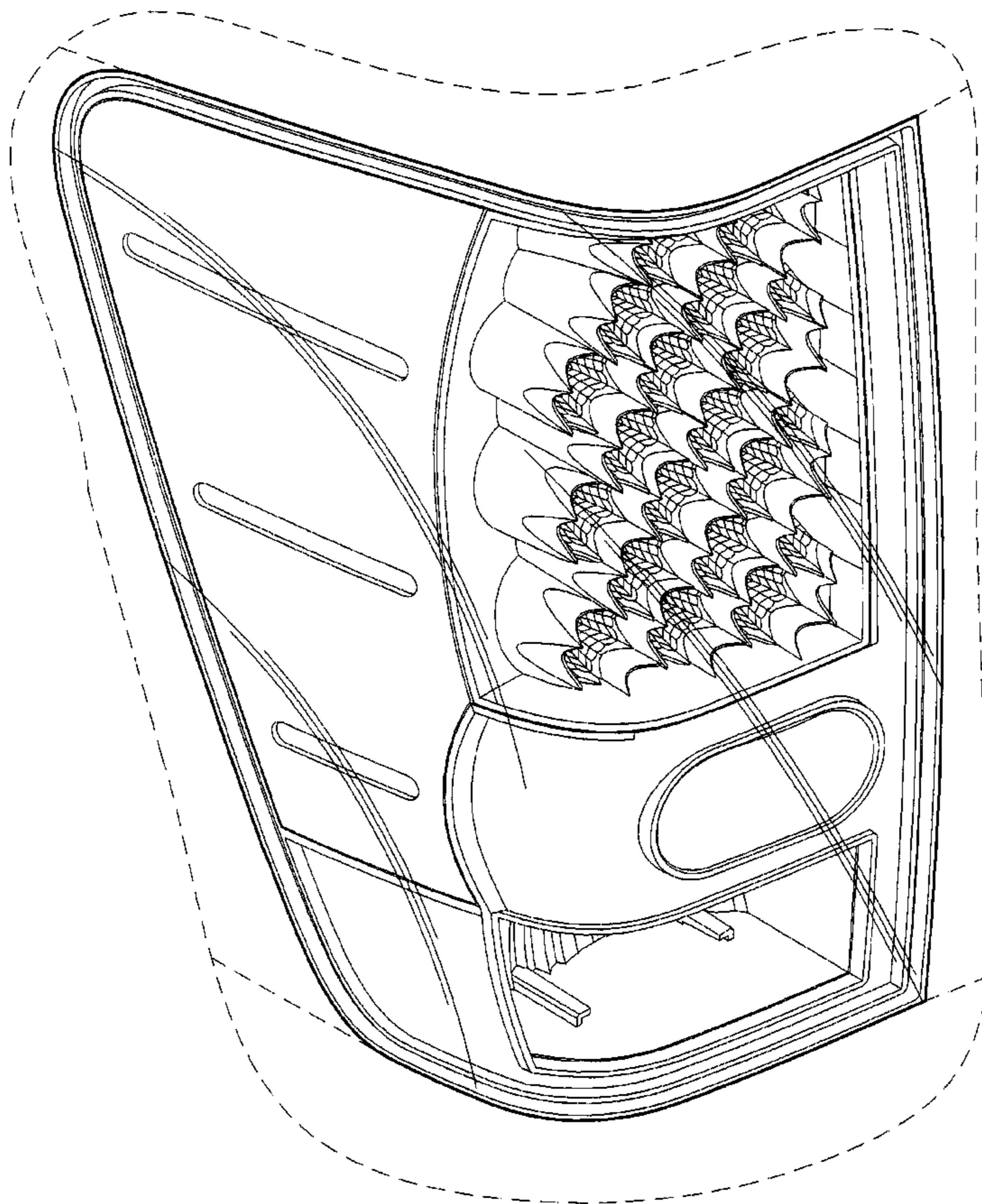
FIG. 2 is a front view thereof;

FIG. 3 is a right view thereof; and,

FIG. 4 is a top view thereof.

This design represents one embodiment of a design for an exterior surface configuration of a vehicle rear light. The drawings and descriptions represent the right side embodiment. The design also contemplates a mirror symmetrical embodiment on the left side of the vehicle. The dash line included denotes environment and is not part of the claimed design.

1 Claim, 4 Drawing Sheets



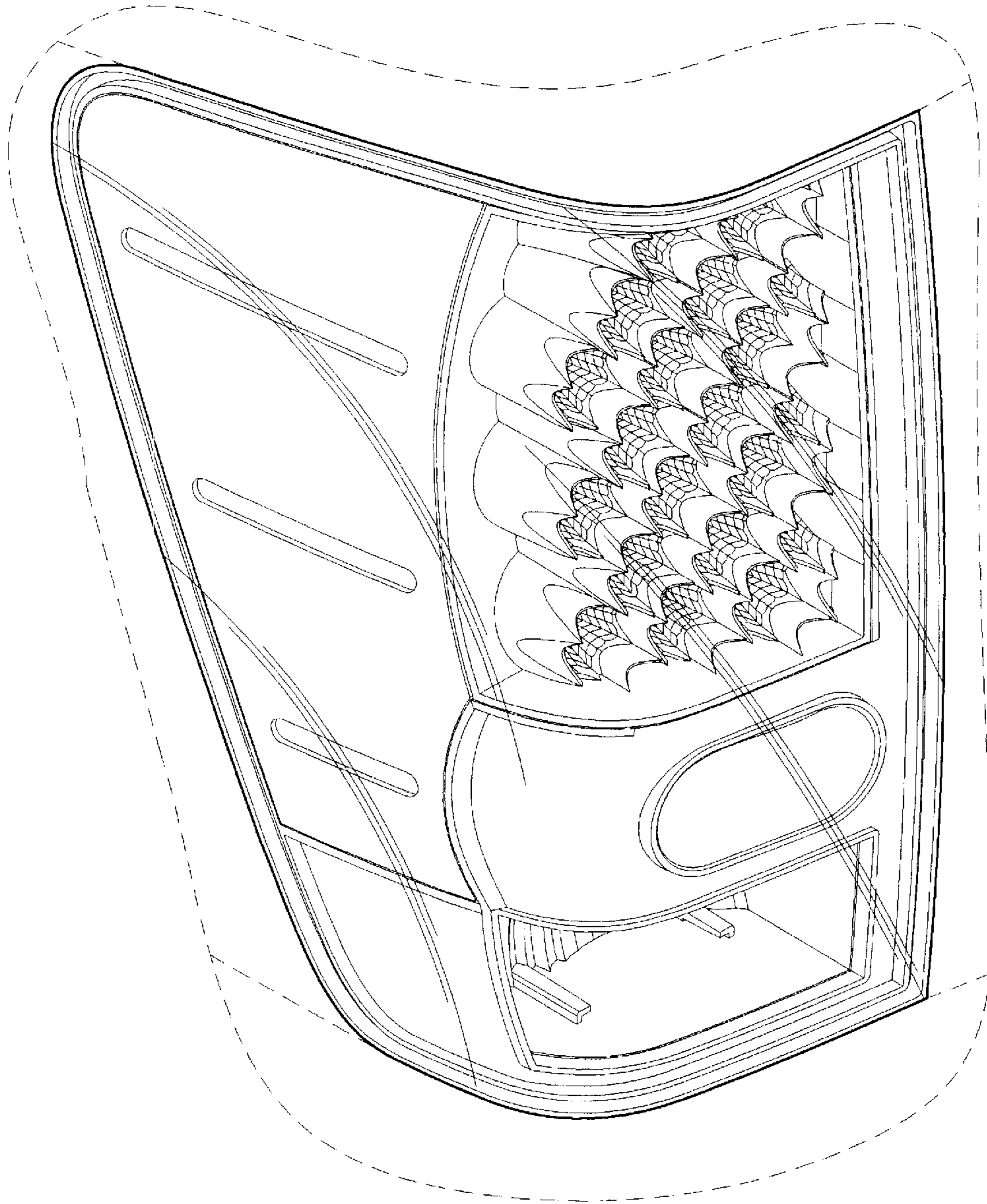


FIG. 1

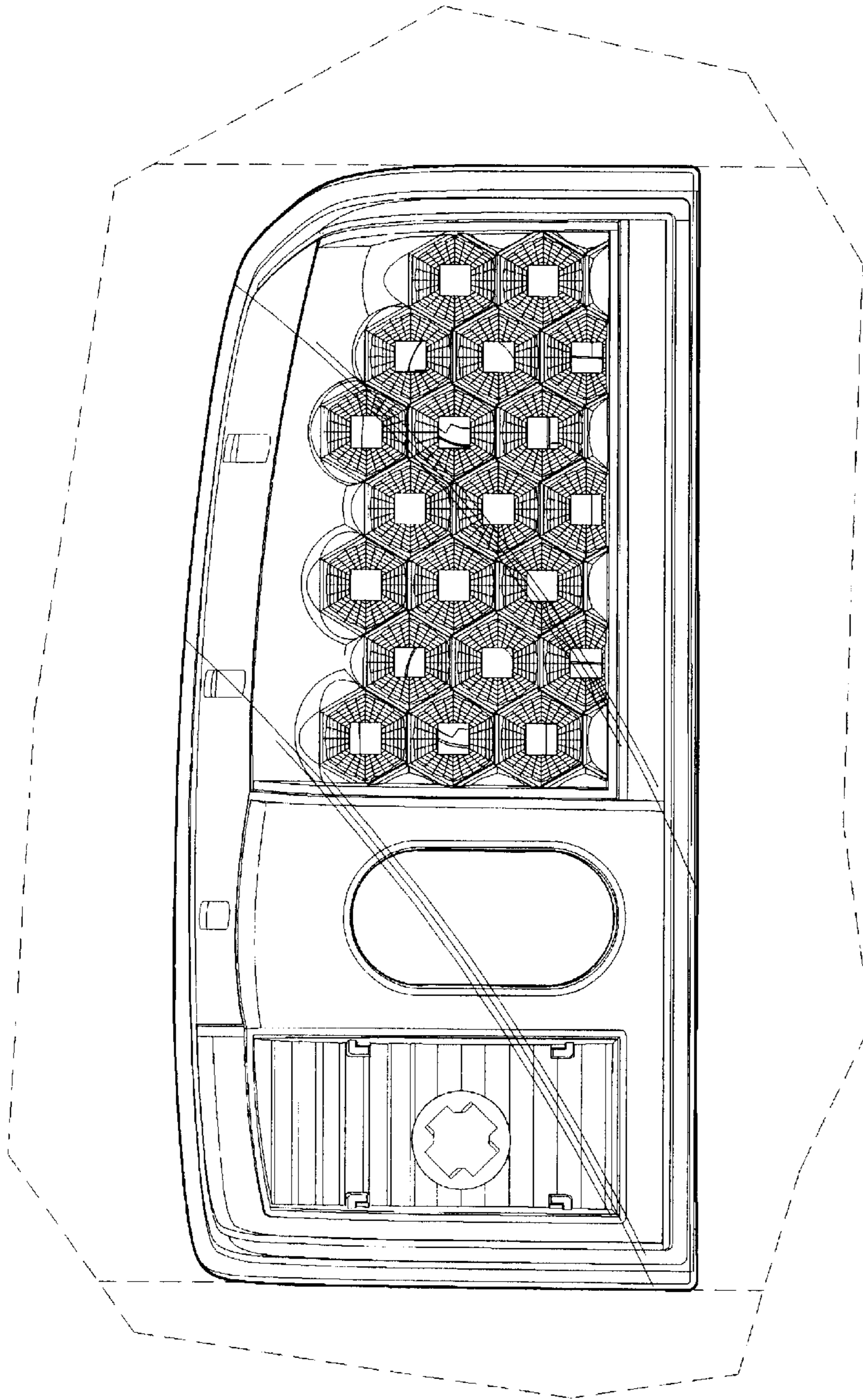


FIG. 2

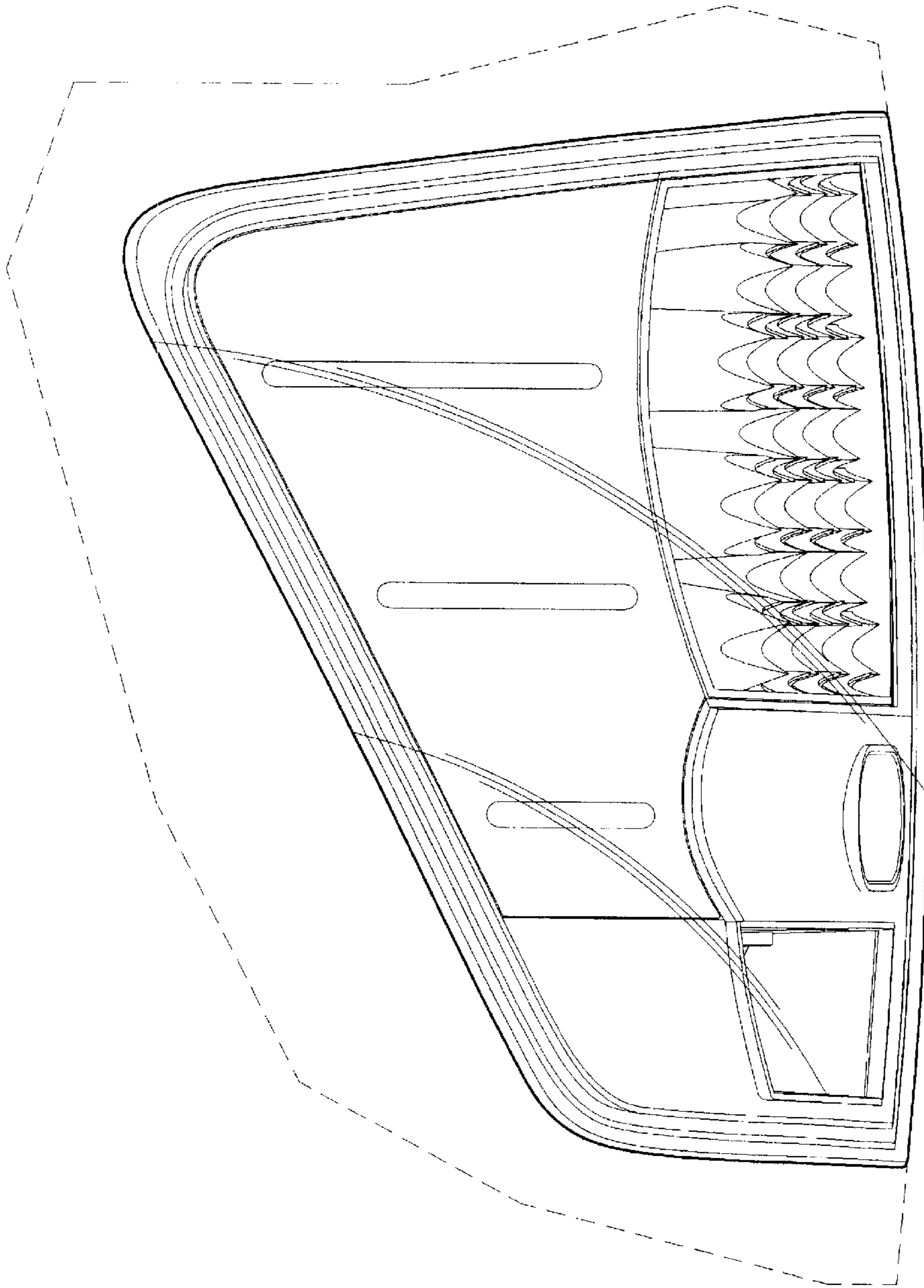


FIG. 3

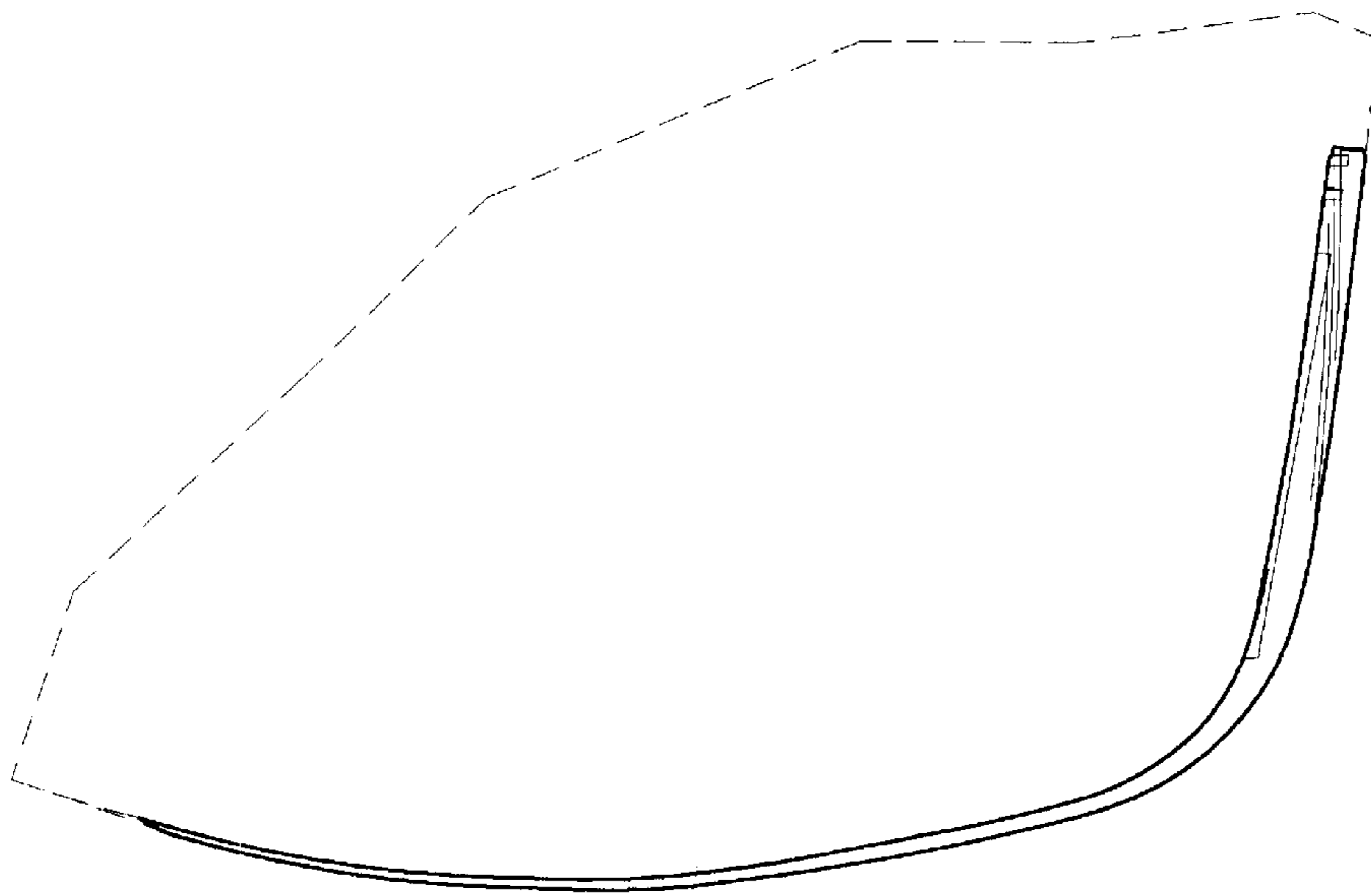


FIG. 4