

US00D542945S

(12) **United States Design Patent**
Johnson

(10) **Patent No.:** **US D542,945 S**

(45) **Date of Patent:** **** May 15, 2007**

(54) **CANDLE**

(76) **Inventor:** **Tara Johnson**, 1205 Bergen St.,
Brooklyn, NY (US) 11213

(**) **Term:** **14 Years**

(21) **Appl. No.:** **29/234,507**

(22) **Filed:** **Jul. 19, 2005**

(51) **LOC (8) Cl.** **26-01**

(52) **U.S. Cl.** **D26/7; D11/96**

(58) **Field of Classification Search** D26/6-23;
D9/635, 435, 541, 447, 454; D7/572, 575,
D7/536, 584; D11/160, 96; 431/288-297,
431/125, 126; 362/806-810

See application file for complete search history.

(56) **References Cited**

U.S. PATENT DOCUMENTS

D125,013 S * 2/1941 Alberns D26/7

D249,588 S * 9/1978 Tanikawa D26/7
D257,642 S * 12/1980 Taylor D26/6
D300,079 S * 2/1989 Smith D11/96

* cited by examiner

Primary Examiner—Louis S. Zarfes

Assistant Examiner—Gregory Andoll

(74) *Attorney, Agent, or Firm*—Gottlieb, Rackman &
Reisman

(57) **CLAIM**

The ornamental design for a candle, as shown and described.

DESCRIPTION

FIG. 1 is a perspective view thereof;
FIG. 2 is a top plan view thereof;
FIG. 3 is a side elevational view thereof;
FIG. 4 is a rear elevational view thereof; and,
FIG. 5 is a bottom plan view thereof.

1 Claim, 2 Drawing Sheets

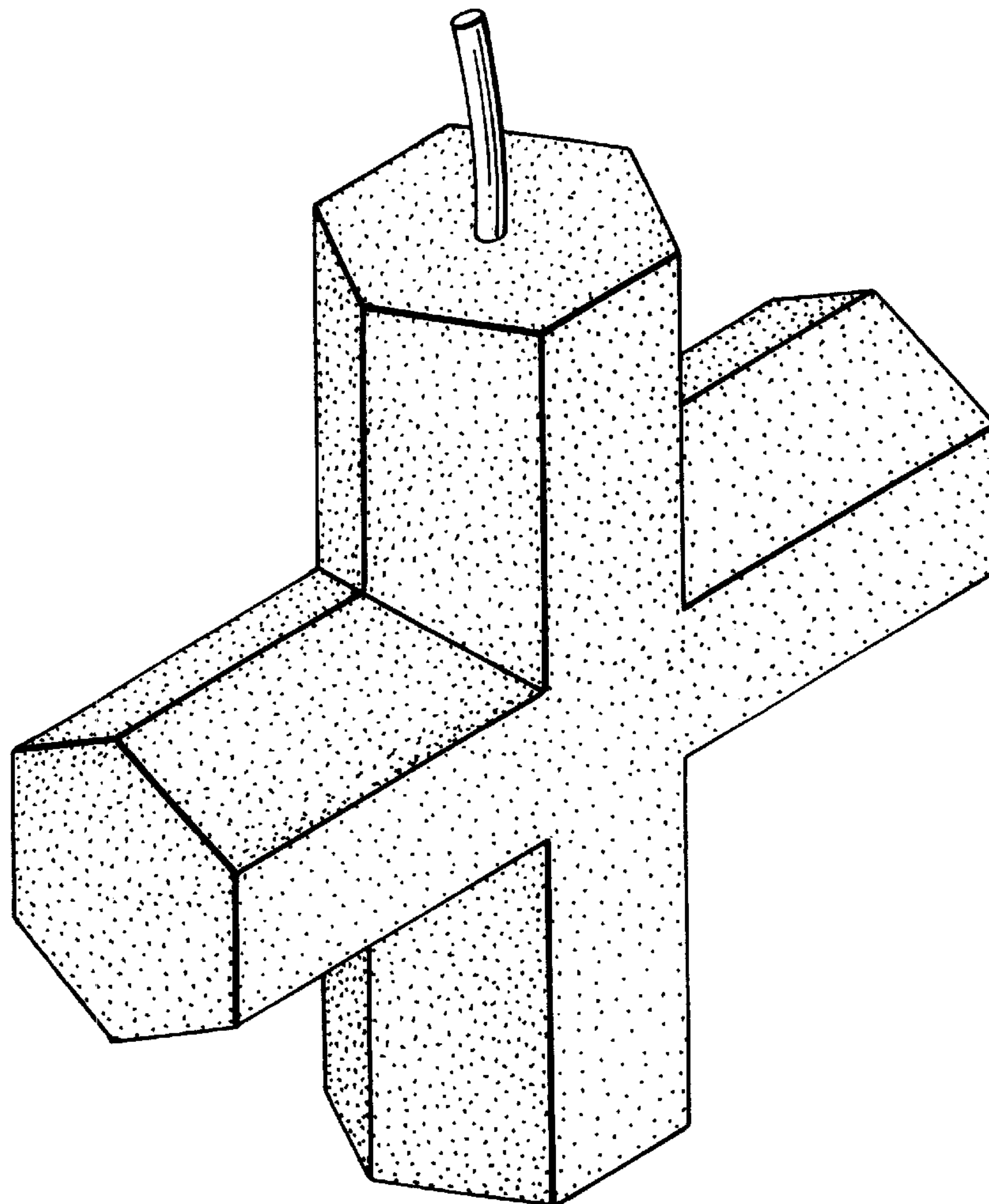


FIG. 1

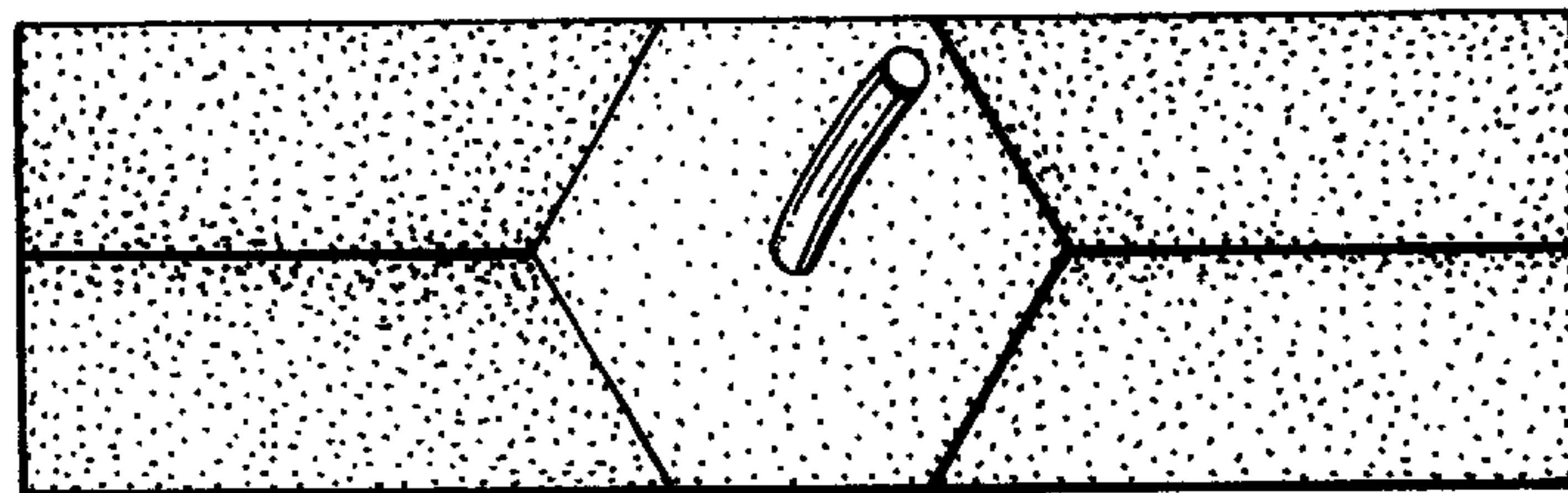
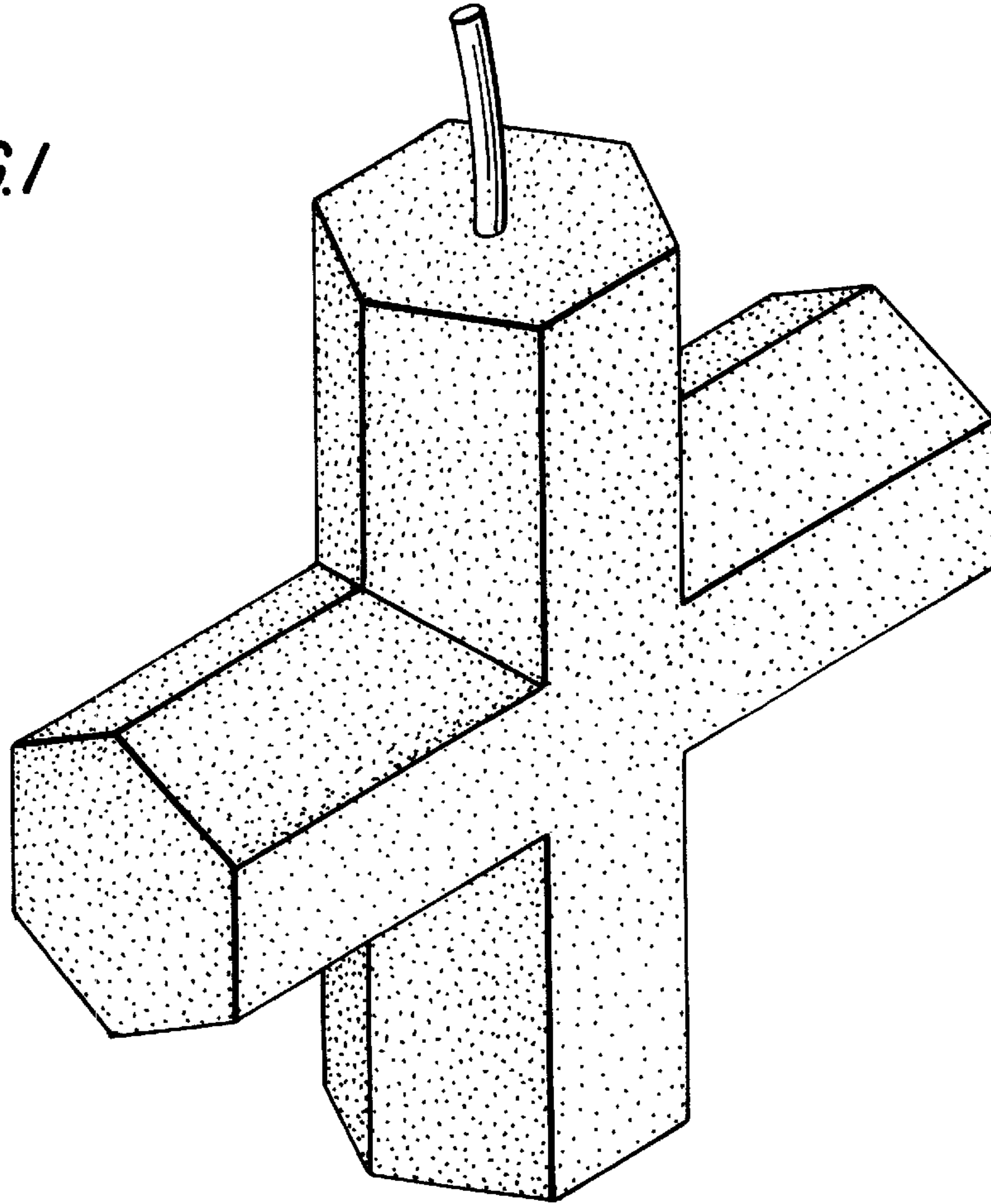


FIG. 2

FIG. 3

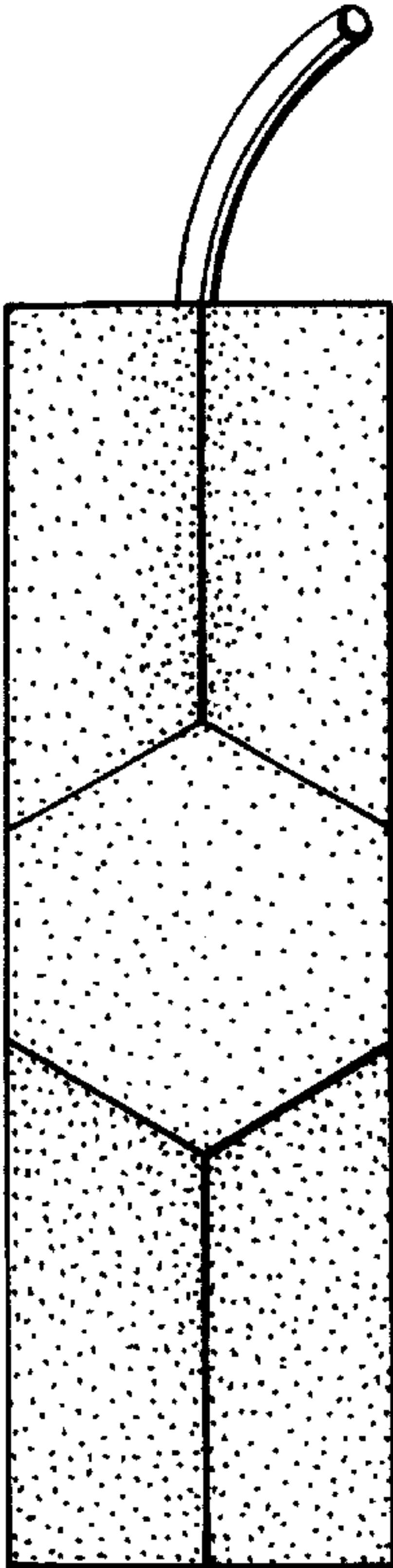


FIG. 4

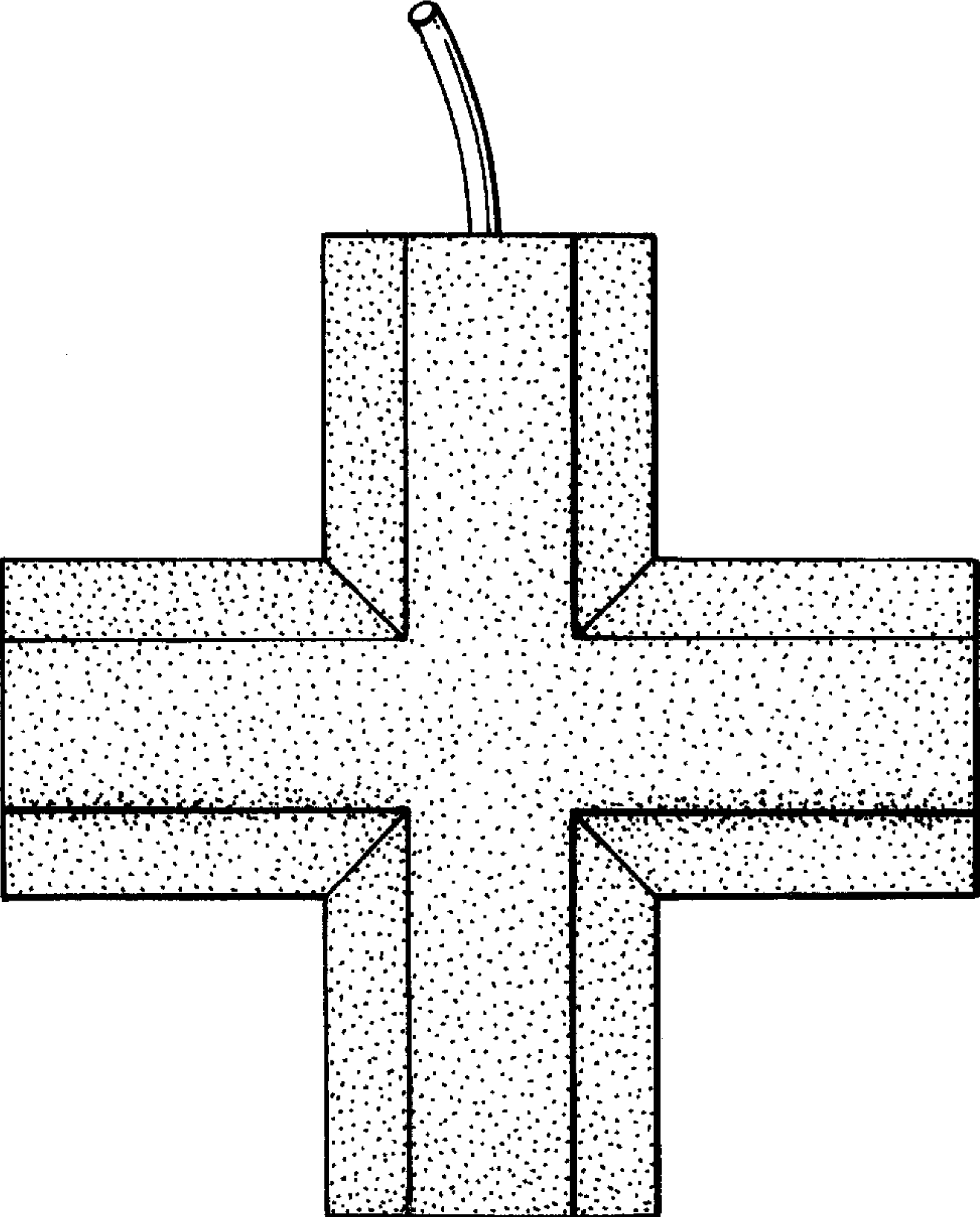


FIG. 5

