



US00D542942S

(12) **United States Design Patent**
Wilkinson

(10) **Patent No.:** **US D542,942 S**

(45) **Date of Patent:** **** May 15, 2007**

(54) **ROOF TILE**

(76) **Inventor:** **Robert W. Wilkinson**, 44300 Camino Azul, La Quinta, CA (US) 92253

(**) **Term:** **14 Years**

(21) **Appl. No.:** **29/264,867**

(22) **Filed:** **Aug. 21, 2006**

Related U.S. Application Data

(62) Division of application No. 29/202,105, filed on Mar. 25, 2004, now Pat. No. Des. 527,468.

(51) **LOC (8) Cl.** **25-01**

(52) **U.S. Cl.** **D25/141; D25/139**

(58) **Field of Classification Search** **D25/139, D25/141; 52/588.1, 582.1, 583.1**

See application file for complete search history.

(56) **References Cited**

U.S. PATENT DOCUMENTS

D38,931 S * 12/1907 Dickelman D25/139
D422,096 S * 3/2000 Stead D25/139
6,775,951 B2 * 8/2004 Gumpert et al. 52/200

* cited by examiner

Primary Examiner—Doris Clark

(74) *Attorney, Agent, or Firm*—Law Firm of Blumenfeld, Kaplan & Sandweiss, P.C.

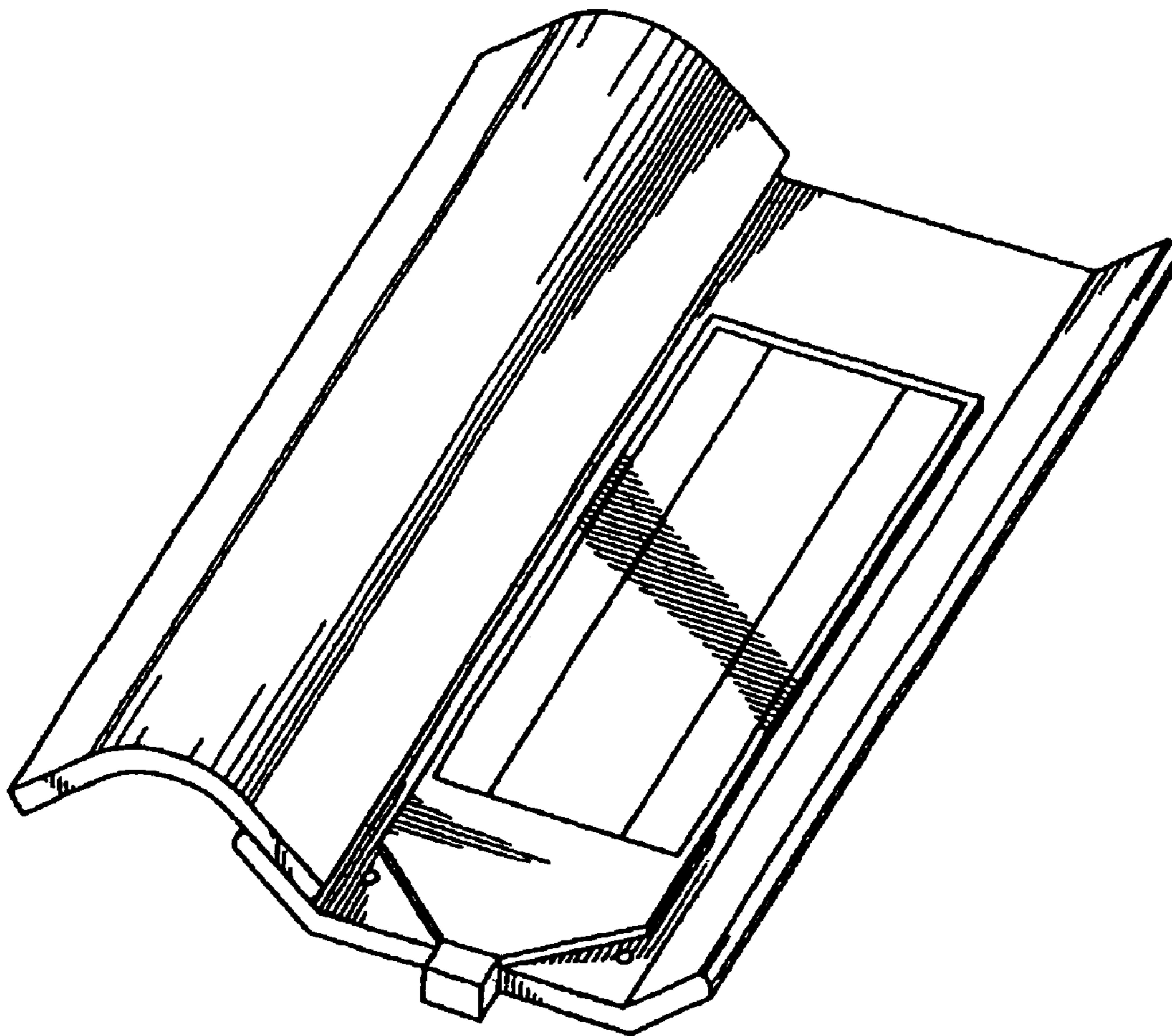
(57) **CLAIM**

The ornamental design for a roof tile, as shown and described.

DESCRIPTION

FIG. 1 is a perspective view of the present invention; and, FIG. 2 is an end elevation view of the present invention.

1 Claim, 1 Drawing Sheet



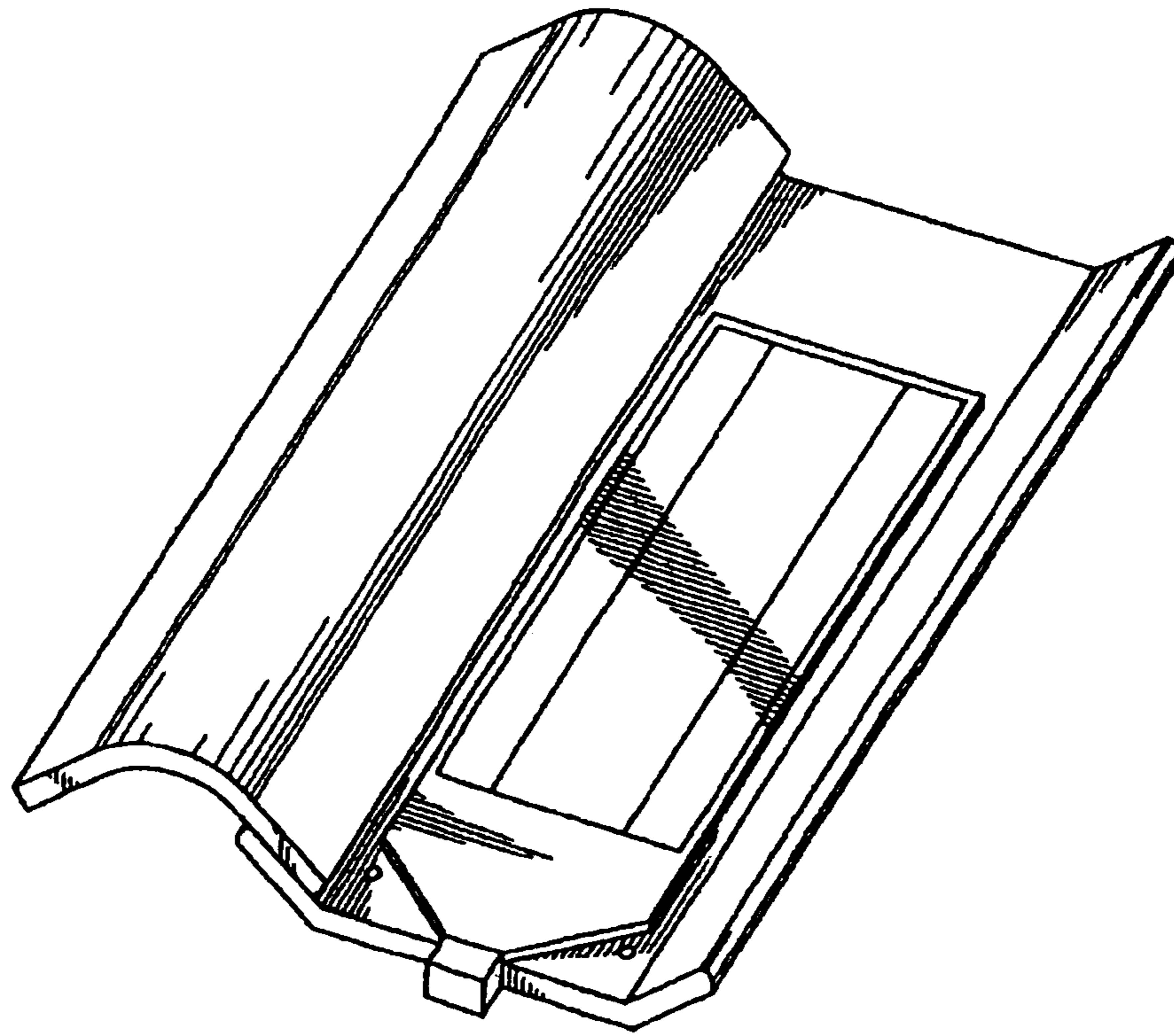


FIGURE 1

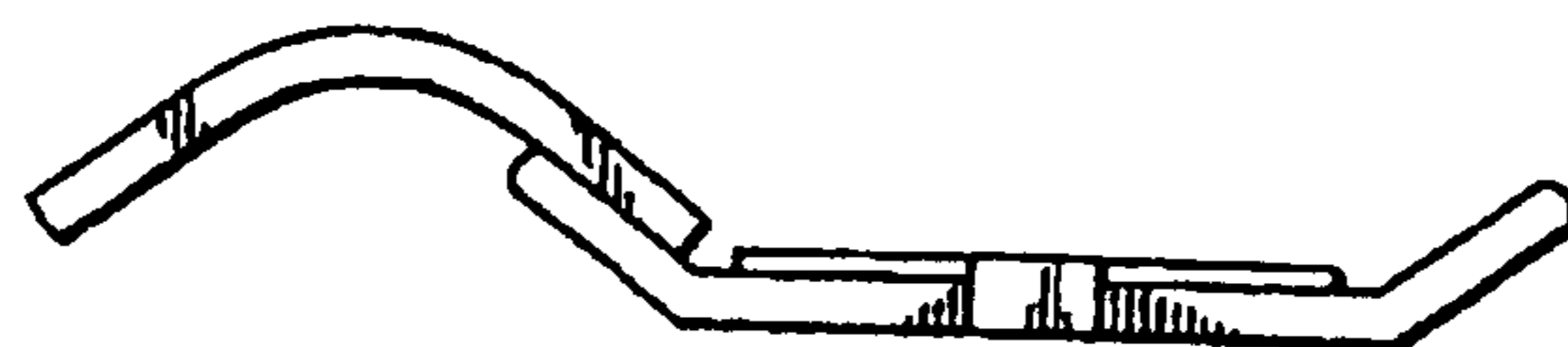


FIGURE 2