



US00D542938S

(12) **United States Design Patent** (10) **Patent No.:** **US D542,938 S**  
**Paharik et al.** (45) **Date of Patent:** **\*\* May 15, 2007**

(54) **POLYGONAL, SLIP-JOINTED HYBRID ELECTRICAL POLE**

(75) Inventors: **Michael J. Paharik**, Lakeland, TN (US); **Michael R. Gall**, Cordova, TN (US)

(73) Assignee: **Thomas & Betts International, Inc.**, Wilmington, DE (US)

(\*\*) Term: **14 Years**

(21) Appl. No.: **29/238,736**

(22) Filed: **Sep. 19, 2005**

(51) **LOC (8) Cl.** ..... **25-01**

(52) **U.S. Cl.** ..... **D25/126**

(58) **Field of Classification Search** ..... D25/126;  
174/45 R; D13/139.4, 139.5; 52/726.4

See application file for complete search history.

(56) **References Cited**

**U.S. PATENT DOCUMENTS**

411,204 A	9/1889	Short
595,600 A	12/1897	Buck
689,387 A	12/1901	Crossland
732,223 A	6/1903	Rhoades
839,272 A	12/1906	Crow
976,879 A	11/1910	Hughs
1,244,652 A	10/1917	Southgate
1,329,026 A	1/1920	Snyder
1,542,575 A	6/1925	Perry
1,567,301 A	12/1925	Ross
1,679,297 A	7/1928	Ehrler
1,870,770 A	8/1932	De Witt

(Continued)

**OTHER PUBLICATIONS**

Newmark Newpole Brochure—2000.  
Newmark Hybrid Newpole Bebsite Page—2000, [http://newmark.com/advantages/pro\\_hybrid.asp](http://newmark.com/advantages/pro_hybrid.asp).  
Newmark Newpole Product Overview—2000, [http://newmark.com/advantages/newpole\\_projects.asp](http://newmark.com/advantages/newpole_projects.asp).

Newmark New River Pole Extensions—2000, <http://newmark.com/graphics/newpole1.jpg>.

Newmark Unique Project Features—2000, <http://newmark.com/graphics/newpole2.jpg>.

Newmark Green County—N. Selma 230kV Line—2000, <http://newmark.com/graphics/newpole3.jpg>.

Newmark 138kV Rebuild—North Dallas (various segments)—2000, <http://newmark.com/graphics/newpole4.jpg>.

Newmark Tomoka River Crossing—2000, <http://newmark.com/graphics/newpole5.jpg>.

*Primary Examiner*—Doris Clark

(74) *Attorney, Agent, or Firm*—G. Andrew Barger

(57) **CLAIM**

The ornamental design for a polygonal, slip-jointed hybrid electrical pole, as shown and described.

**DESCRIPTION**

FIG. 1 is a perspective view of a polygonal, slip-jointed hybrid electrical pole showing our new design;

FIG. 2 is a side elevational view thereof;

FIG. 3 is the opposite side elevational view thereof;

FIG. 4 is a top plan view thereof;

FIG. 5 is a bottom plan view thereof;

FIG. 6 is a perspective view of a second embodiment of a polygonal, slip-jointed hybrid electrical pole showing our new design;

FIG. 7 is a side elevational view thereof;

FIG. 8 is the opposite side elevational view thereof;

FIG. 9 is a bottom plan view thereof;

FIG. 10 is a perspective view of a third embodiment of a polygonal, slip-jointed hybrid electrical pole showing our new design;

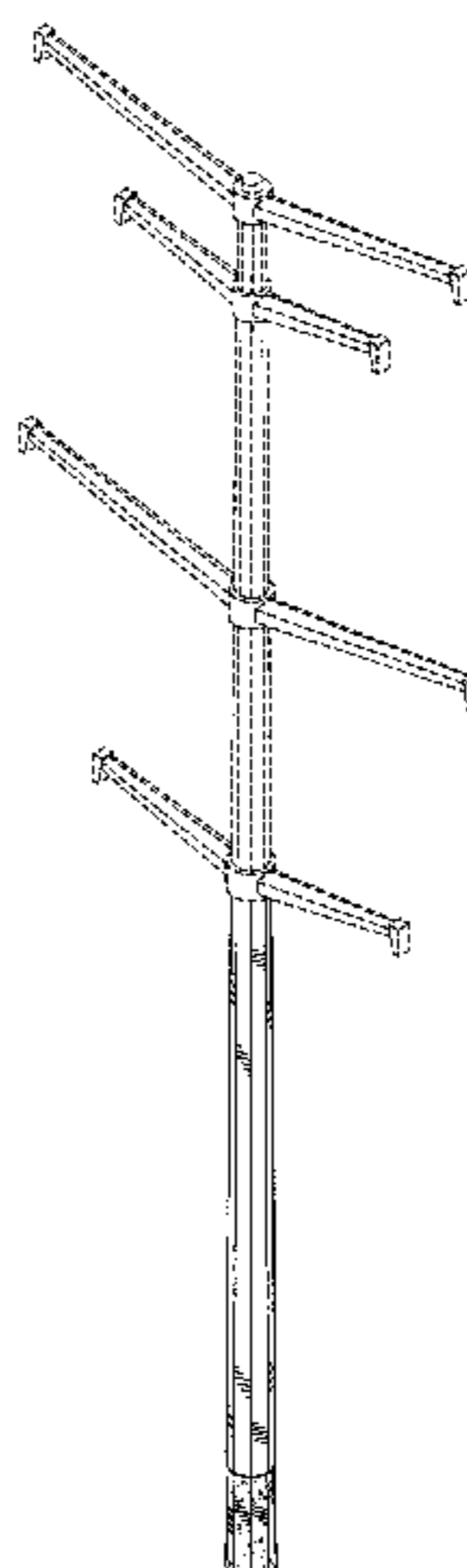
FIG. 11 is a side elevational view thereof;

FIG. 12 is the opposite side elevational view thereof; and,

FIG. 13 is a bottom plan view thereof.

The broken lines are for illustrative purposes only and form no part of the claimed design.

**1 Claim, 9 Drawing Sheets**



# US D542,938 S

Page 2

---

U.S. PATENT DOCUMENTS					
1,877,583	A	9/1932 Pfaff	3,991,532	A	11/1976 Buxbom
2,036,771	A	4/1936 Pfistershammer	4,033,080	A	7/1977 Fukushima
2,040,010	A	5/1936 McMahon	4,092,079	A	5/1978 Swanson
2,679,911	A	6/1954 Bhend	4,246,732	A	1/1981 Frehner
2,792,947	A	5/1957 Weedman	4,314,434	A *	2/1982 Meisberger ..... 52/736.2
2,844,643	A *	7/1958 Cofer et al. .... 174/6	4,492,496	A	1/1985 Arnold
D192,574	S *	4/1962 Passman ..... D25/121	4,617,768	A	10/1986 Gebelius
3,403,520	A	10/1968 Goodman	4,673,157	A	6/1987 Wells
3,429,129	A	2/1969 Johansson	4,779,389	A	10/1988 Landers
3,507,522	A	4/1970 Frogman	4,930,270	A	6/1990 Bevacqua
3,541,746	A	11/1970 Scott	4,999,966	A	3/1991 Johnson et al.
3,638,433	A	2/1972 Sherard	5,050,356	A	9/1991 Johnson et al.
3,713,262	A	1/1973 Jatcko	5,398,478	A	3/1995 Gordin et al.
3,865,498	A	2/1975 Okuto et al.	D384,756	S *	10/1997 Wilmotte ..... D25/126
3,911,548	A	10/1975 Perry	6,705,058	B1	3/2004 Foust et al.
3,958,381	A	5/1976 Meyer	6,938,392	B2	9/2005 Fouad et al.

\* cited by examiner

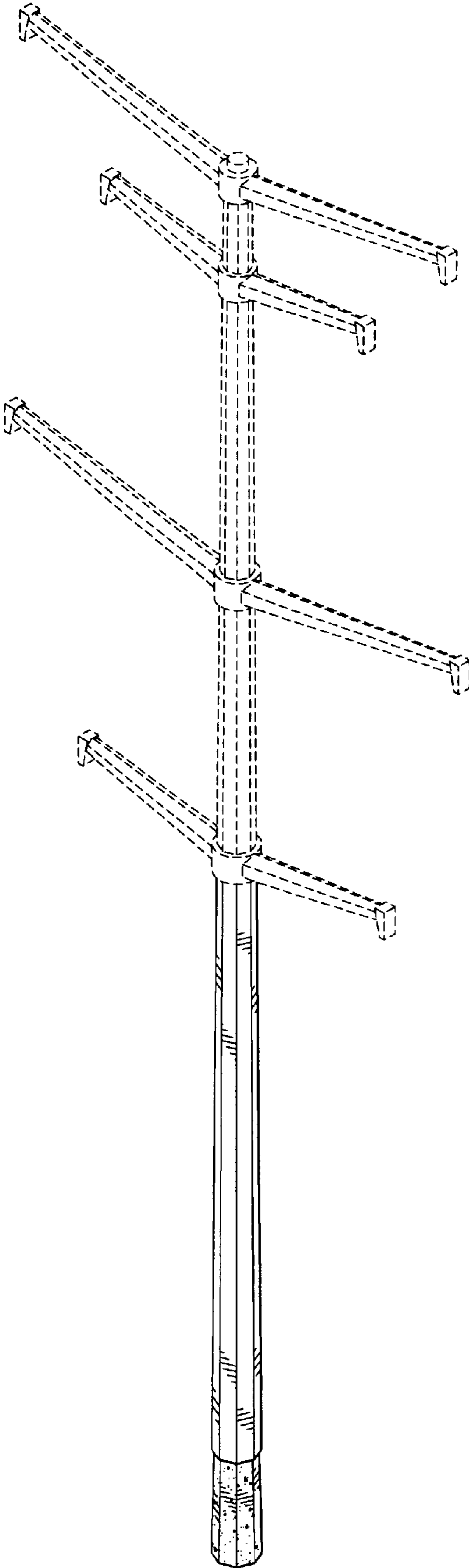


FIG. 1

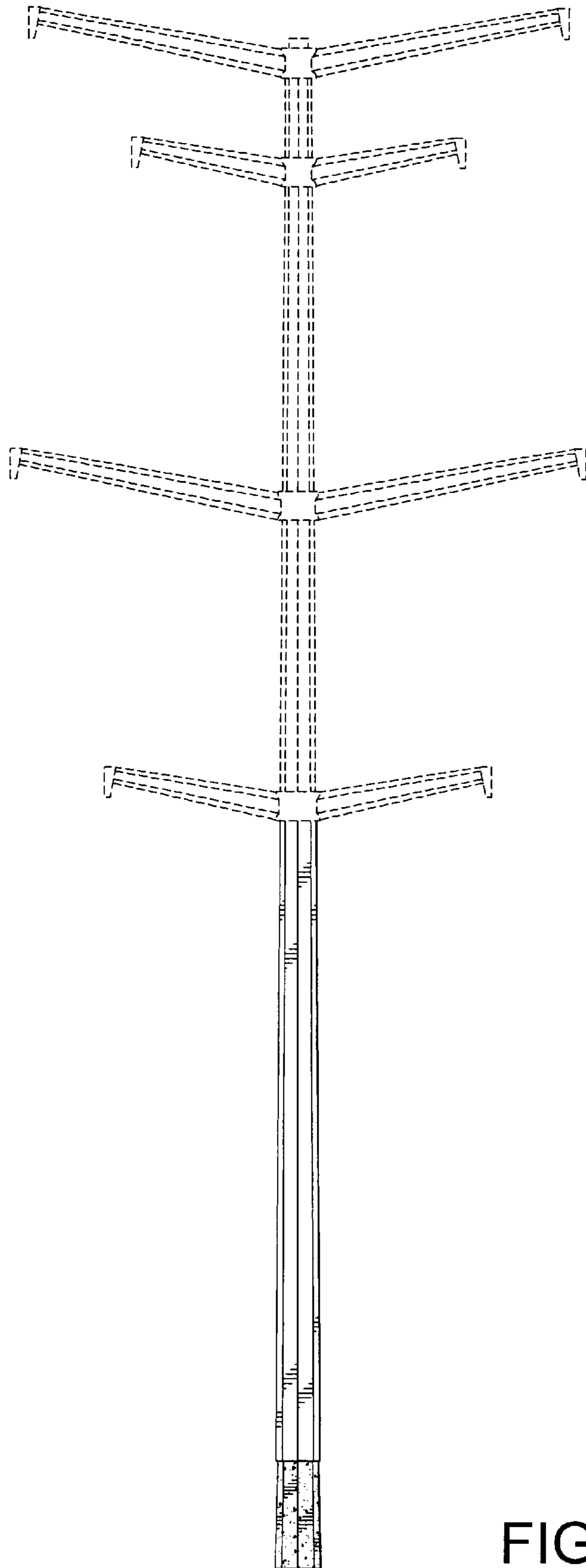


FIG. 2



FIG. 3



FIG. 4

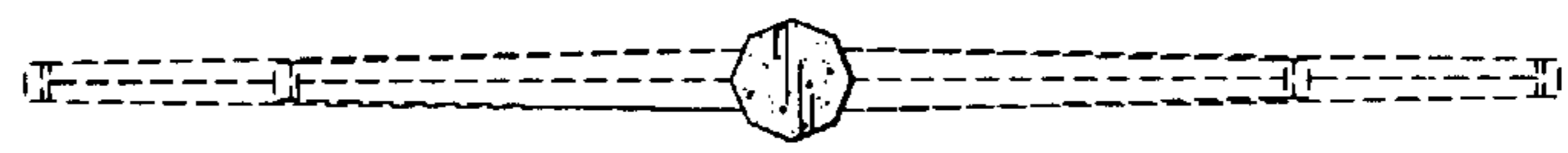


FIG. 5

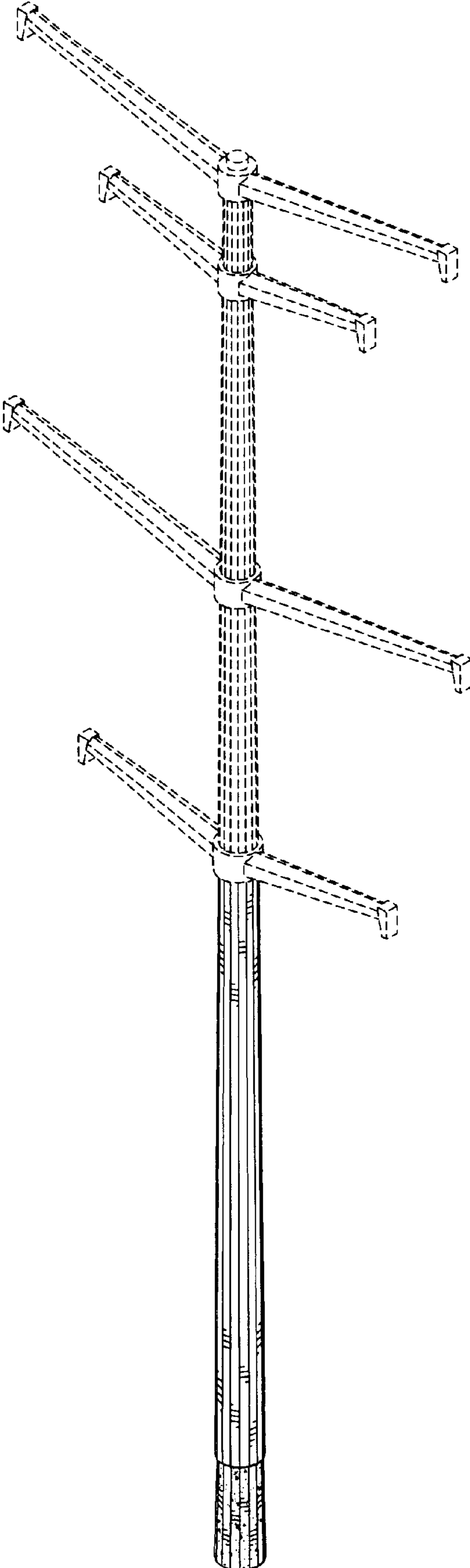


FIG. 6

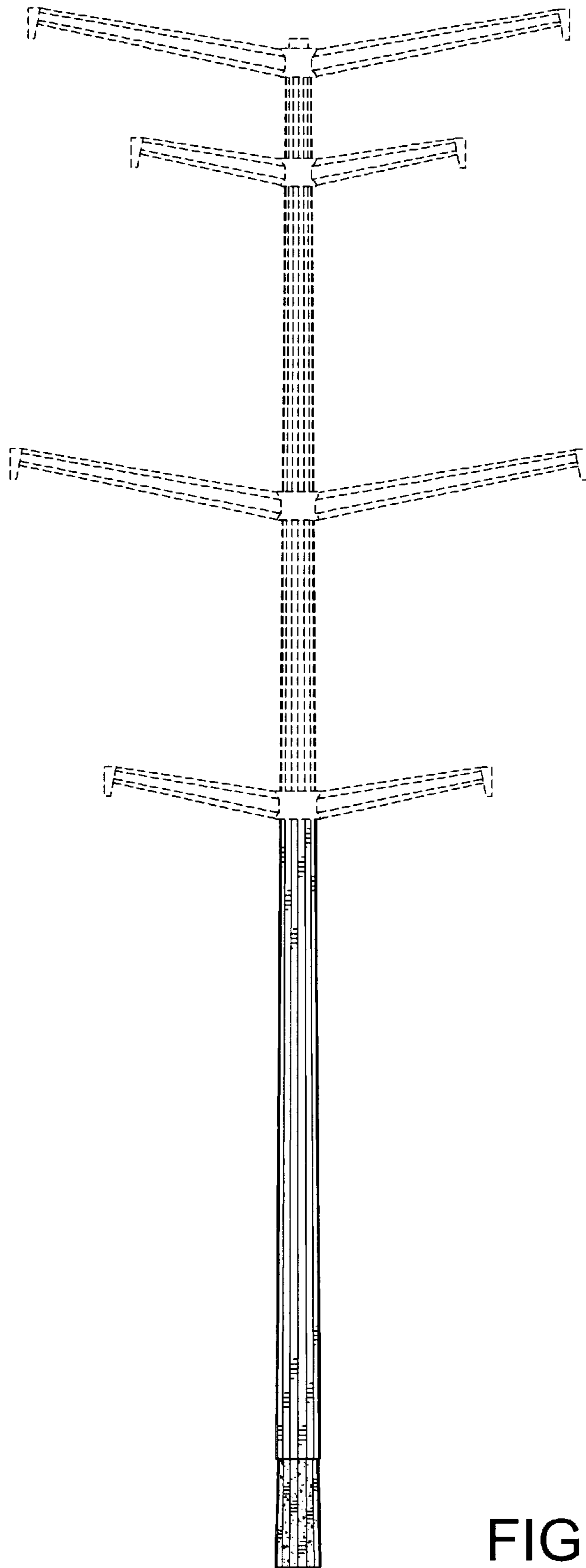


FIG. 7



FIG. 8



FIG. 9



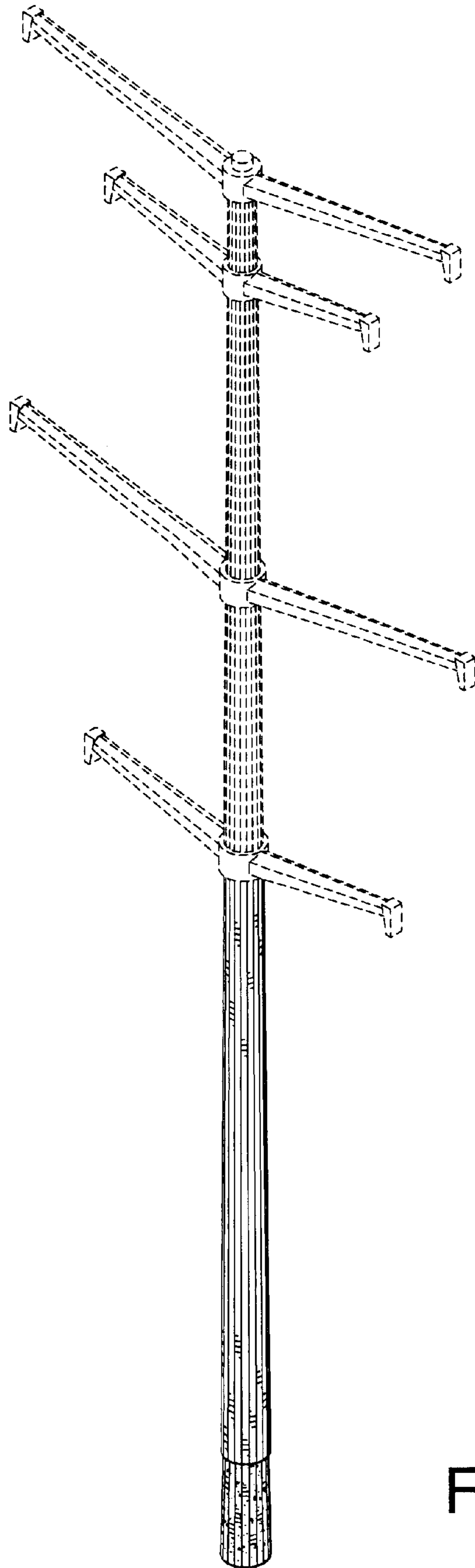


FIG. 10

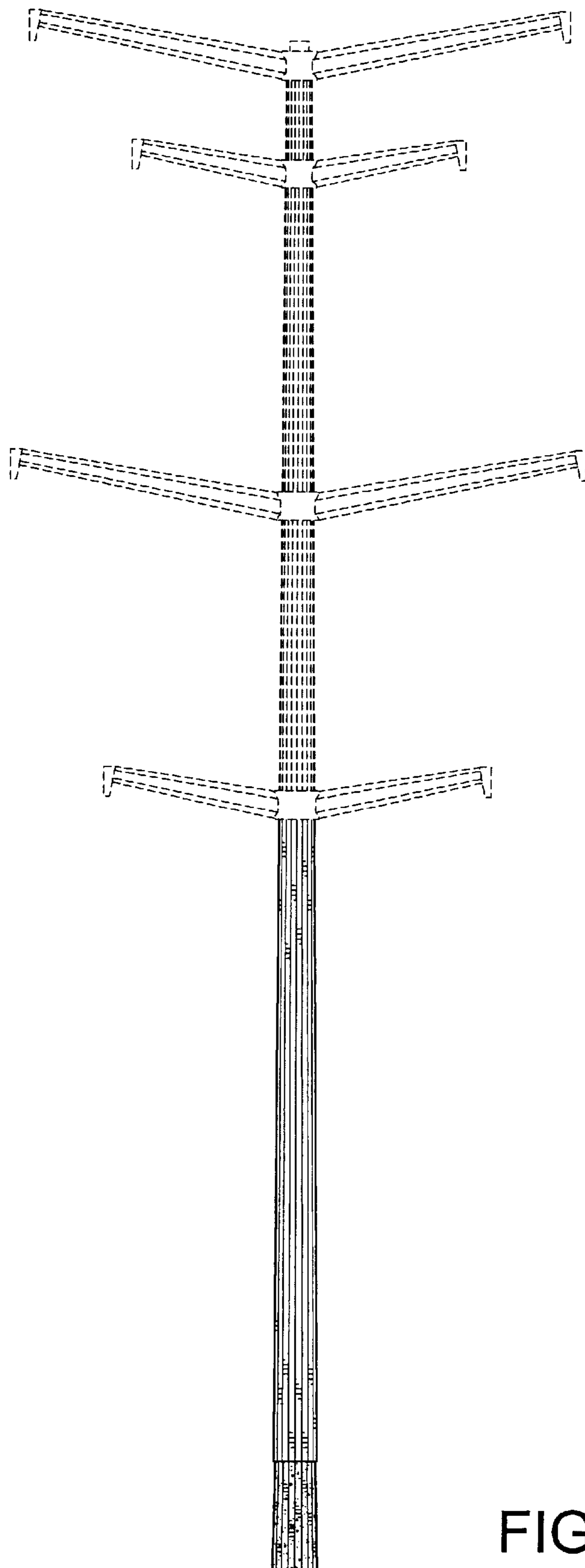


FIG. 11

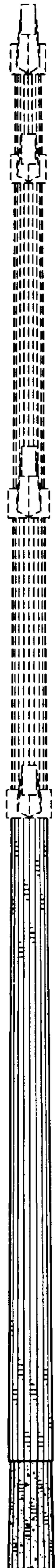


FIG. 12

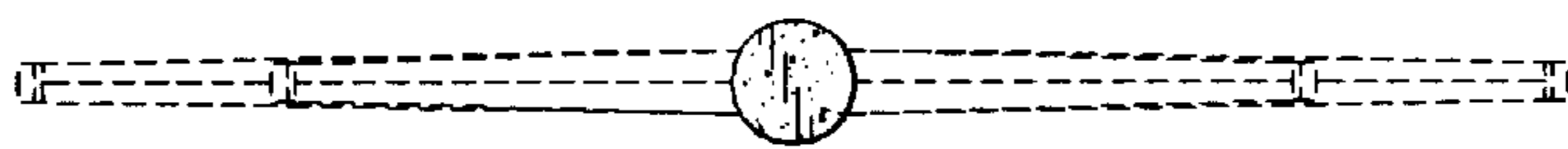


FIG. 13