



US00D542936S

(12) **United States Design Patent**
Ng et al.

(10) **Patent No.:** **US D542,936 S**
(45) **Date of Patent:** **** May 15, 2007**

(54) **SLOTTED PANEL SCREEN**
(75) Inventors: **Edward Ng**, 931 Massachusetts Ave,
Suite 604, Cambridge, MA (US) 02139;
Achyut Kantawala, Cambridge, MA
(US)

(73) Assignee: **Edward Ng**, Cambridge, MA (US)

(**) Term: **14 Years**

(21) Appl. No.: **29/226,996**

(22) Filed: **Apr. 5, 2005**

(51) **LOC (8) Cl.** **25-02**

(52) **U.S. Cl.** **D25/58**

(58) **Field of Classification Search** D25/58,
D25/153-154, 156, 52-53, 138; D6/332,
D6/580, 575, 577; 160/135, 236, 166.1, 176.1,
160/115, 900, 237; 52/211, 311.1, 311.3,
52/314, 239; 211/189, 188, 194

See application file for complete search history.

(56) **References Cited**

U.S. PATENT DOCUMENTS

D297,387 S * 8/1988 Barr D25/153

5,515,900 A * 5/1996 West et al. 160/135
D399,693 S * 10/1998 Vreeland et al. D25/138
D422,797 S * 4/2000 Vincent D6/332
7,114,300 B1 * 10/2006 Culp 52/211
2003/0066814 A1 * 4/2003 Wang 211/189

* cited by examiner

Primary Examiner—Catherine R. Oliver

(57) **CLAIM**

The ornamental design for a “slotted panel screen”, as shown and described.

DESCRIPTION

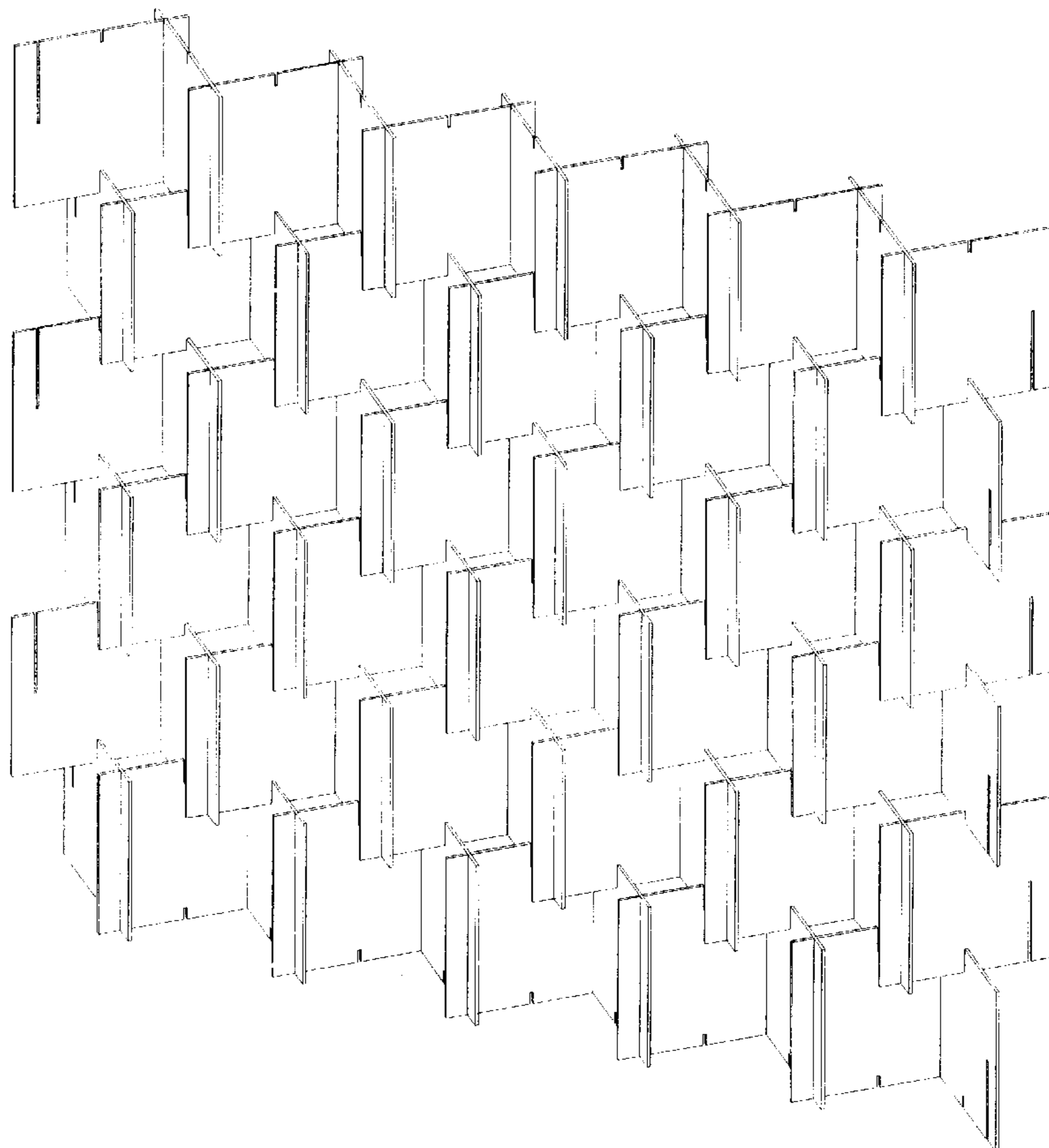
FIG. 1 is a front perspective view of the assembled slotted panel screen showing our new design, the rear view being a mirror image thereof;

FIG. 2 is a front perspective view of the partially assembled screen, showing one level only;

FIG. 3 is a front elevation view of the individual slotted panel used to make up the screen, the rear elevation view being a mirror image of the front; and,

FIG. 4 is a front perspective view of two slotted panels shown in the process of sliding apart.

1 Claim, 2 Drawing Sheets



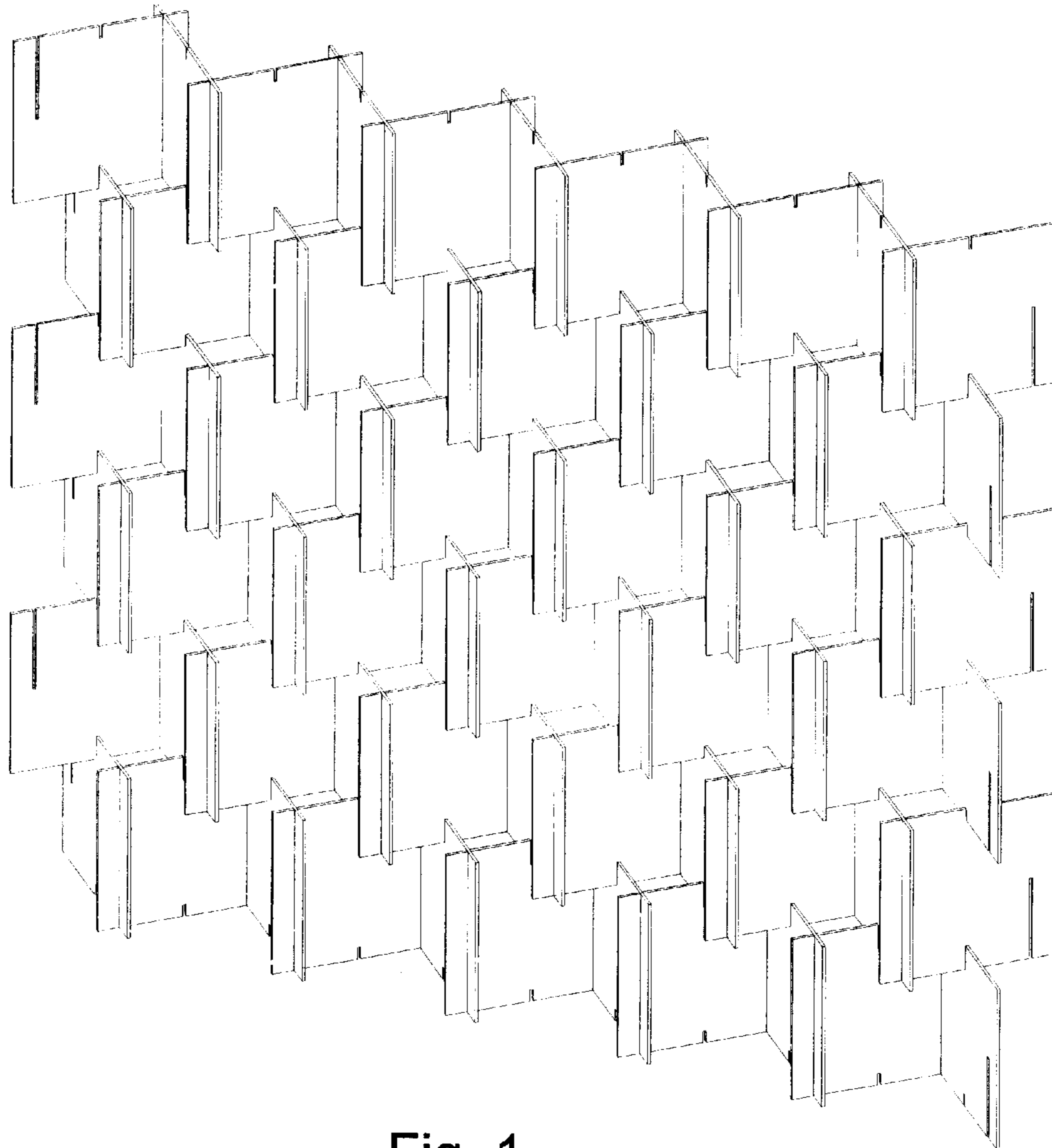


Fig. 1

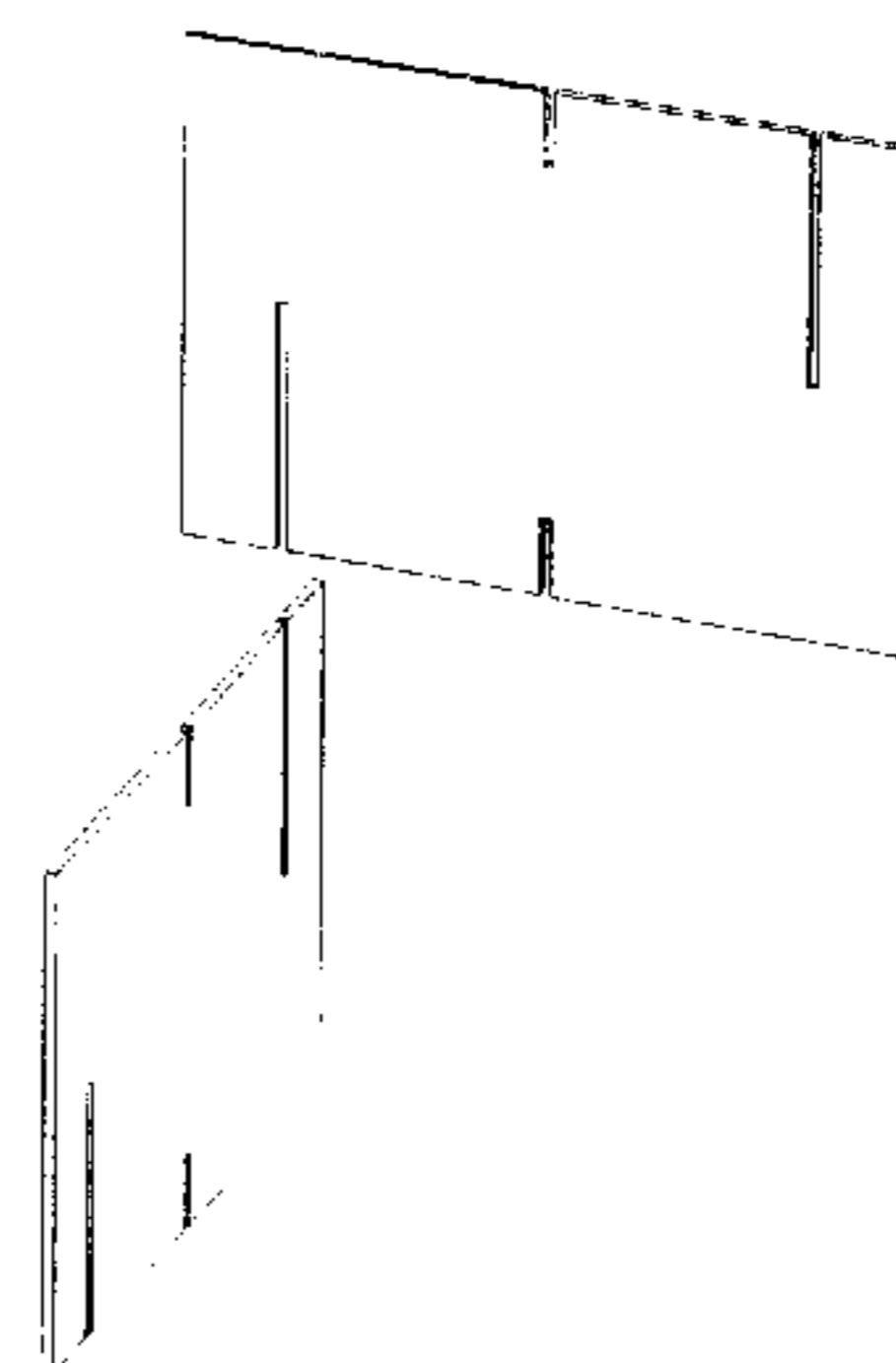
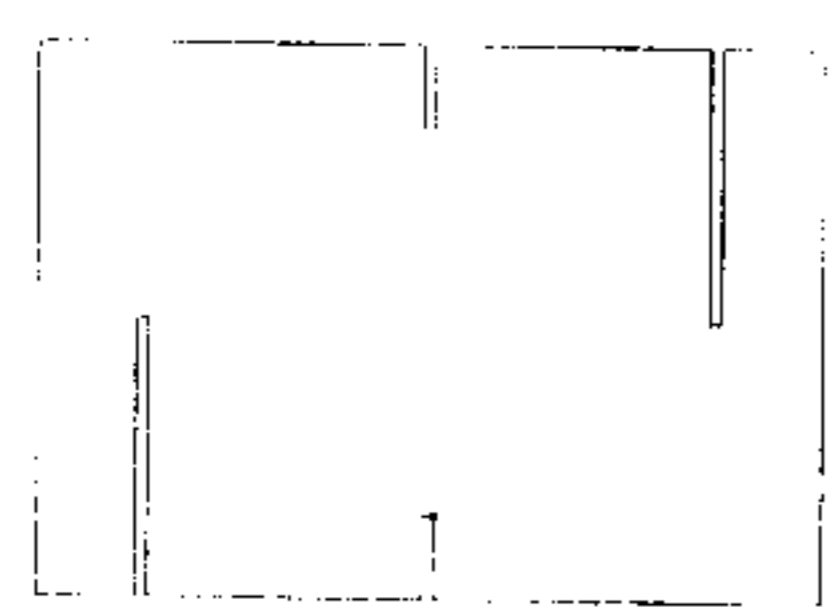
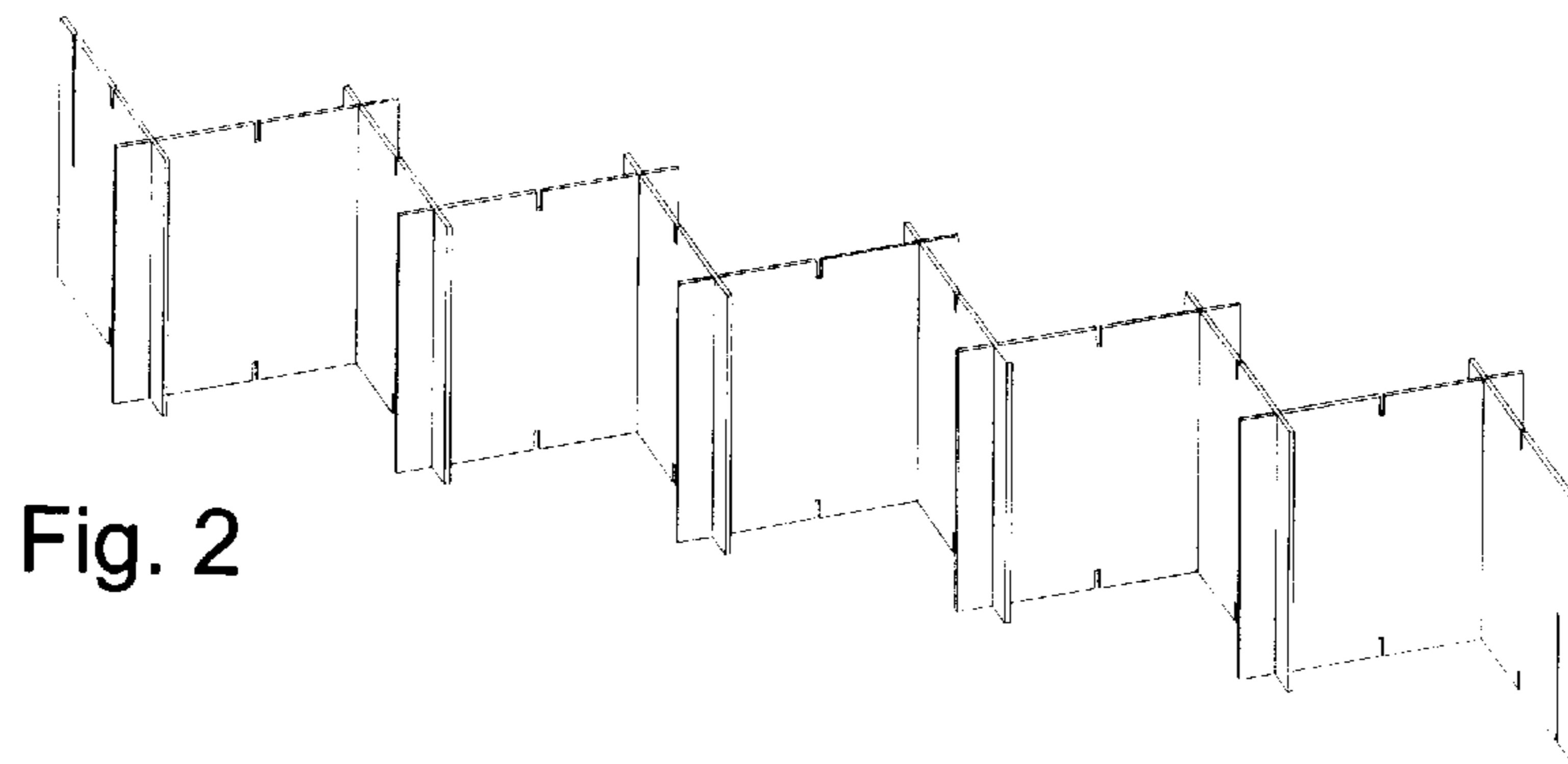


Fig. 3

Fig. 4